

United States Patent [19]

Diaz

[11] Patent Number: **Des. 298,800**

[45] Date of Patent: **** Dec. 6, 1988**

[54] **COWBELL/WOODBLOCK AND FOOT PEDAL SUPPORT STAND**

[76] Inventor: **Gilberto B. Diaz, P.O. Box 3287, Taos, N. Mex. 87571**

[**] Term: **14 Years**

[21] Appl. No.: **739,677**

[22] Filed: **May 31, 1985**

[52] U.S. Cl. **D8/373; D17/22**

[58] Field of Search **D8/373, 380; D17/22, D17/99; 484/421, 402, 406**

[56] **References Cited**

U.S. PATENT DOCUMENTS

3,147,661	9/1964	Padera	D17/22 X
3,163,075	12/1964	Toperzer, Jr.	D17/22
3,163,076	12/1964	White	D17/22 X
3,264,926	8/1966	Belli	D17/22 X
3,326,074	6/1967	Osty et al.	D17/22 X
3,350,830	11/1967	Smith, Jr. et al.	52/513
3,433,115	3/1969	Kjelstrom	D17/22 X
3,464,305	9/1969	Meazzi et al.	D17/22 X
4,185,808	1/1980	Donohoe	84/421 X

4,381,690	5/1983	Kimble	84/421 X
4,441,398	4/1984	Baker	84/421
4,444,358	4/1984	Spohn	D8/373 X
4,593,596	6/1986	Nauger	D17/22 X

FOREIGN PATENT DOCUMENTS

250927 7/1948 Switzerland 84/421

OTHER PUBLICATIONS

Dahlstrom, Metal Mouldings & Shapes; Cat. No. 11; "L" Shaped Angles at p. 29; Items Nos. 2173, 665.

Primary Examiner—Horace B. Fay

[57] **CLAIM**

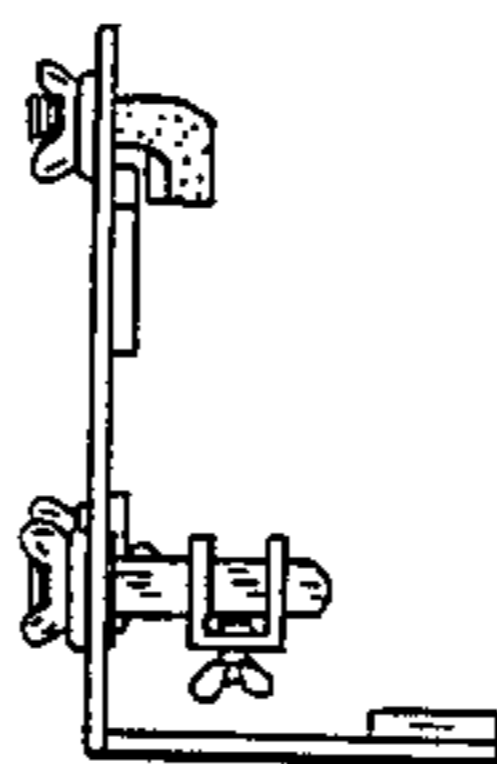
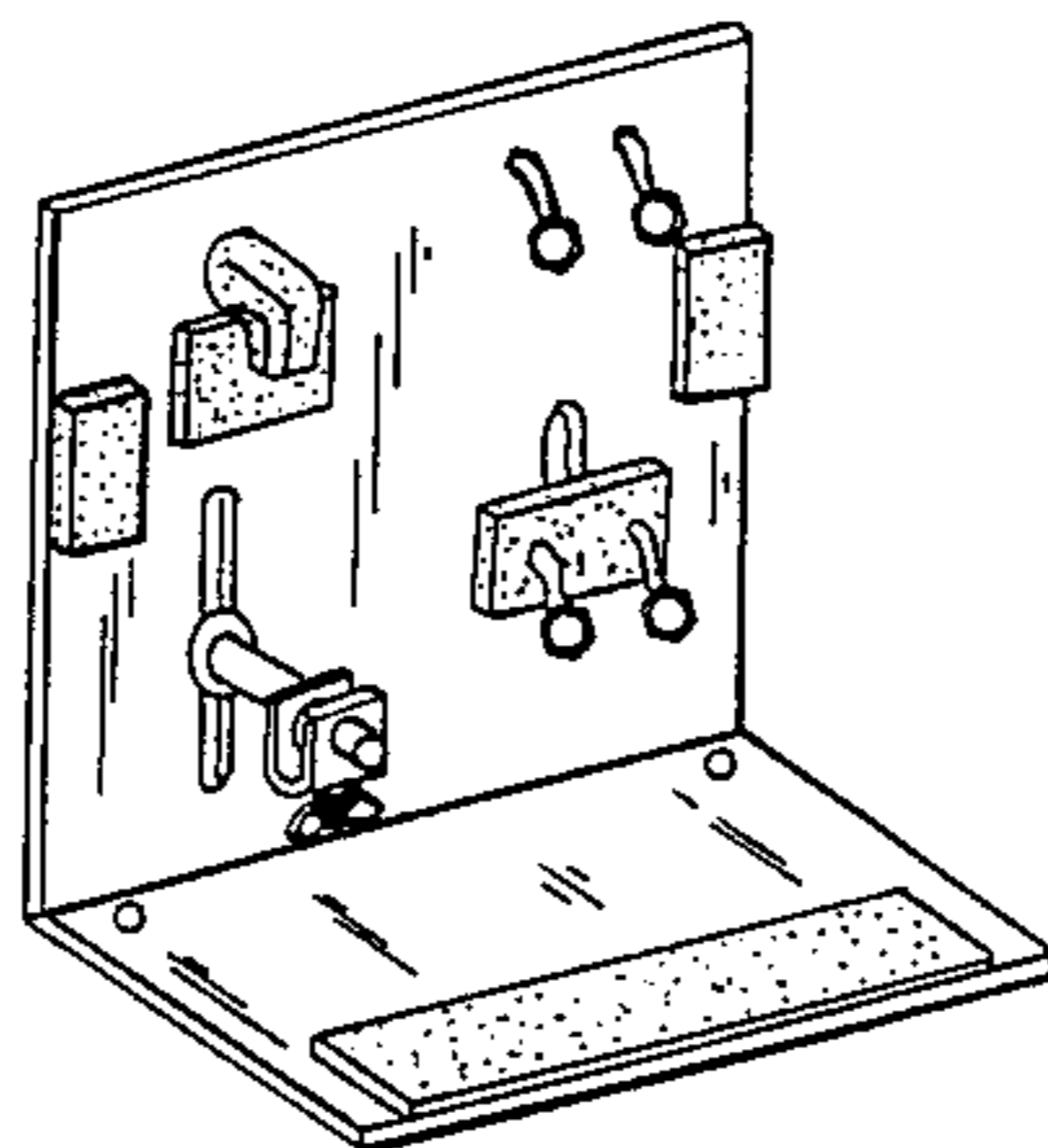
The ornamental design for cowbell/woodblock and foot pedal support stand, as shown and described.

DESCRIPTION

FIG. 1 is a top, front, and left side perspective view of a cowbell/woodblock, and foot pedal support stand showing my new design;

FIG. 2 is a rear and bottom perspective view thereof; and

FIGS. 3 and 4 are respectively left and right side elevational views thereof.



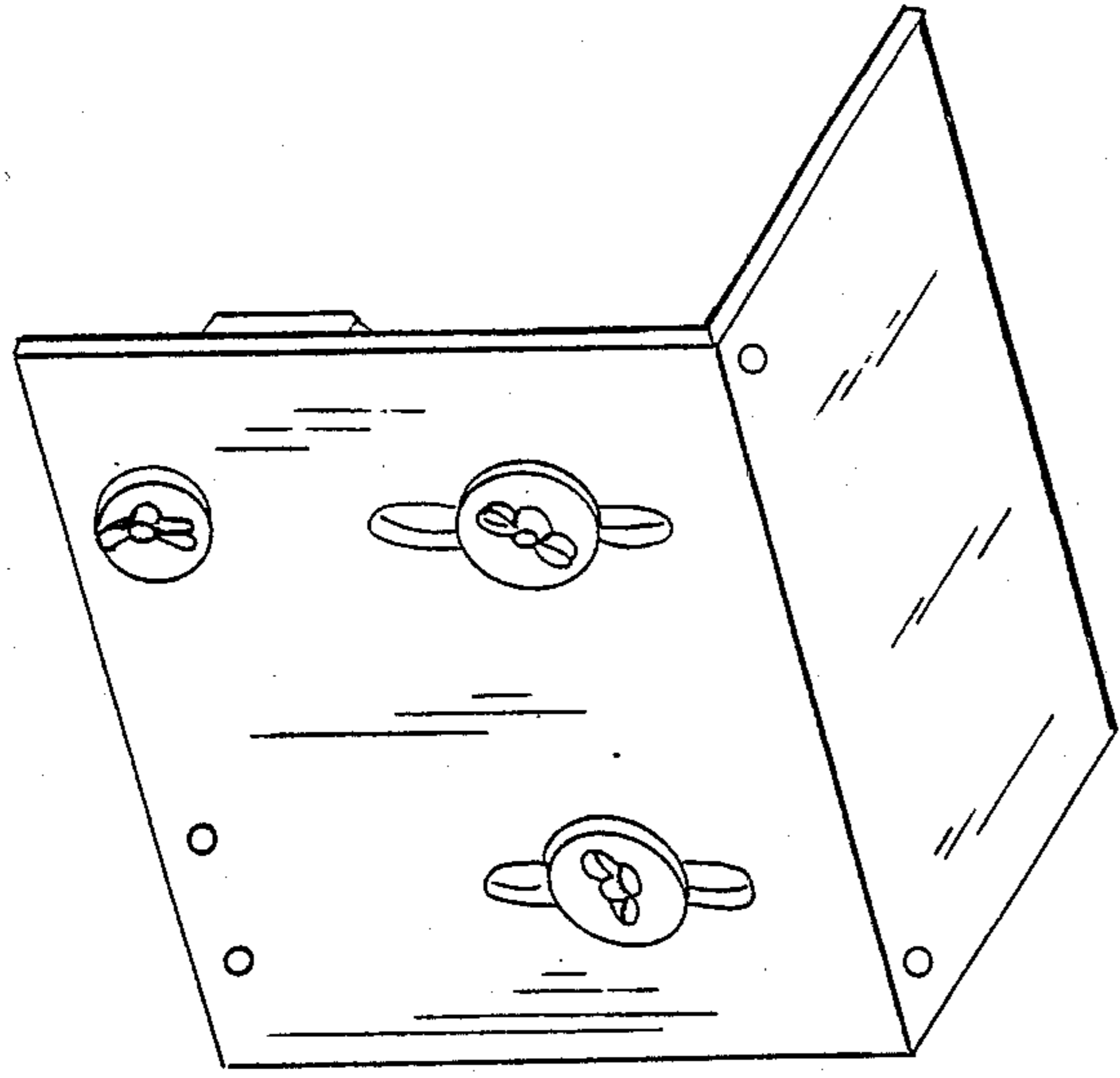


FIG. 2.

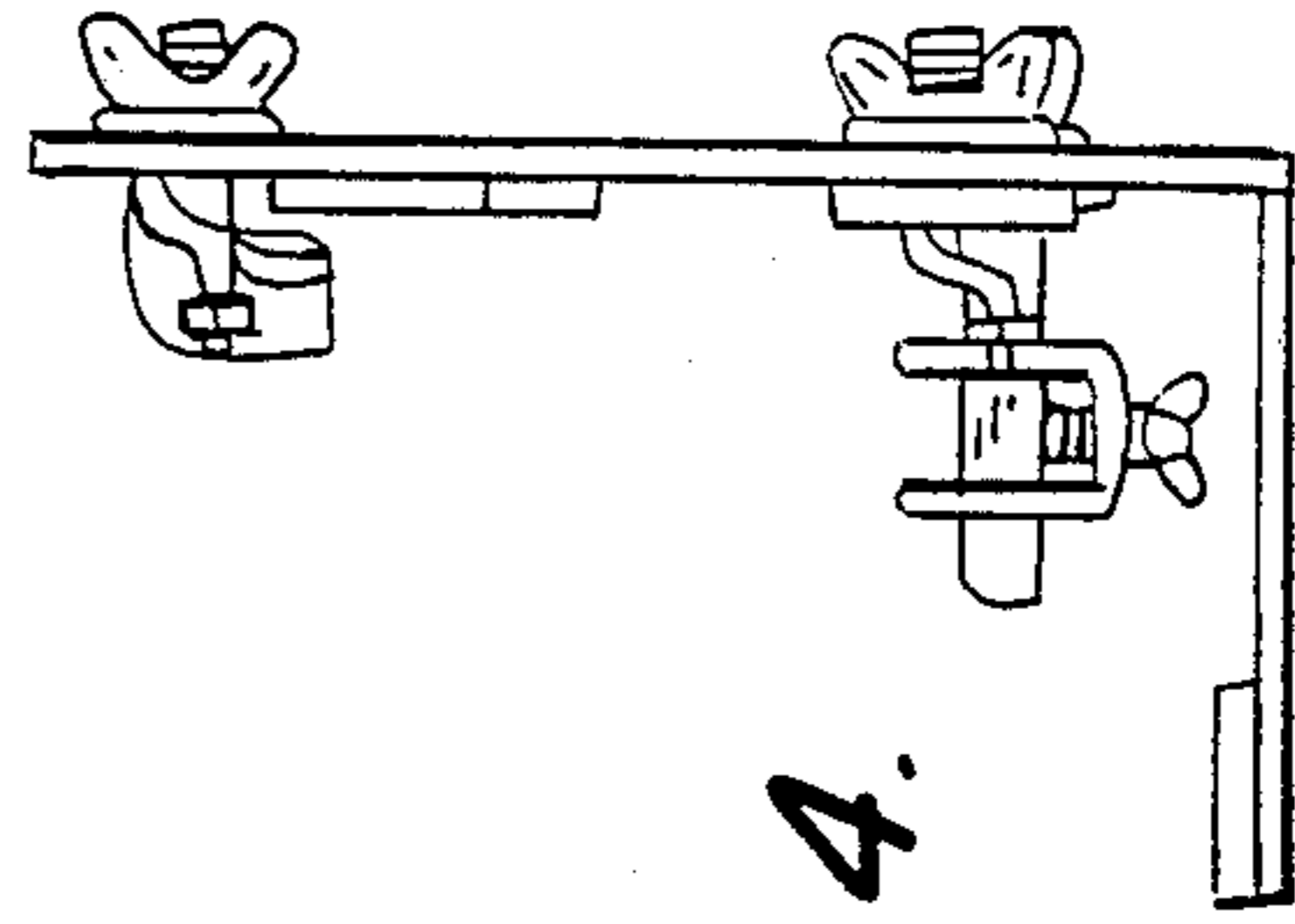


FIG. 4.

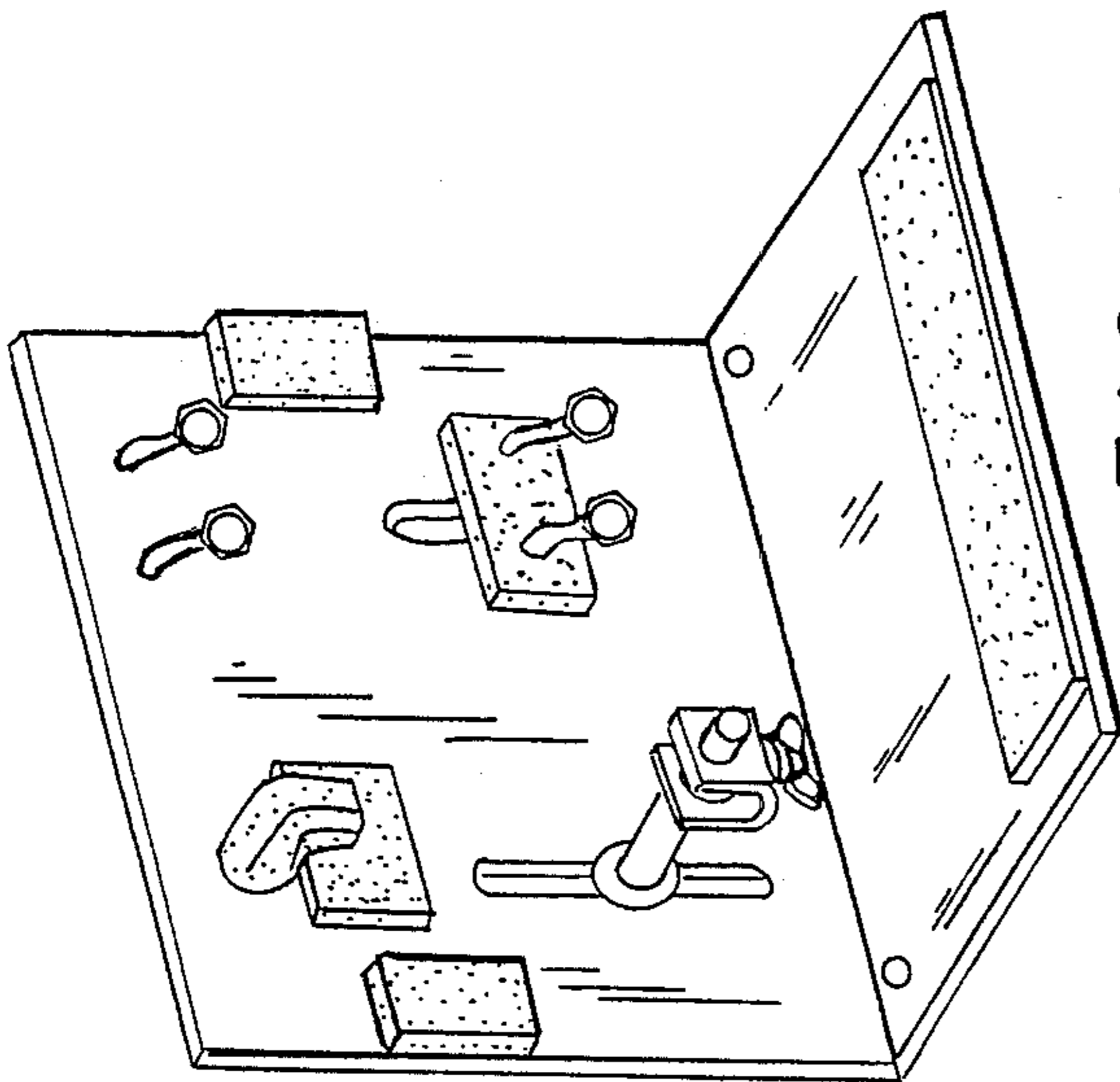


FIG. 1.

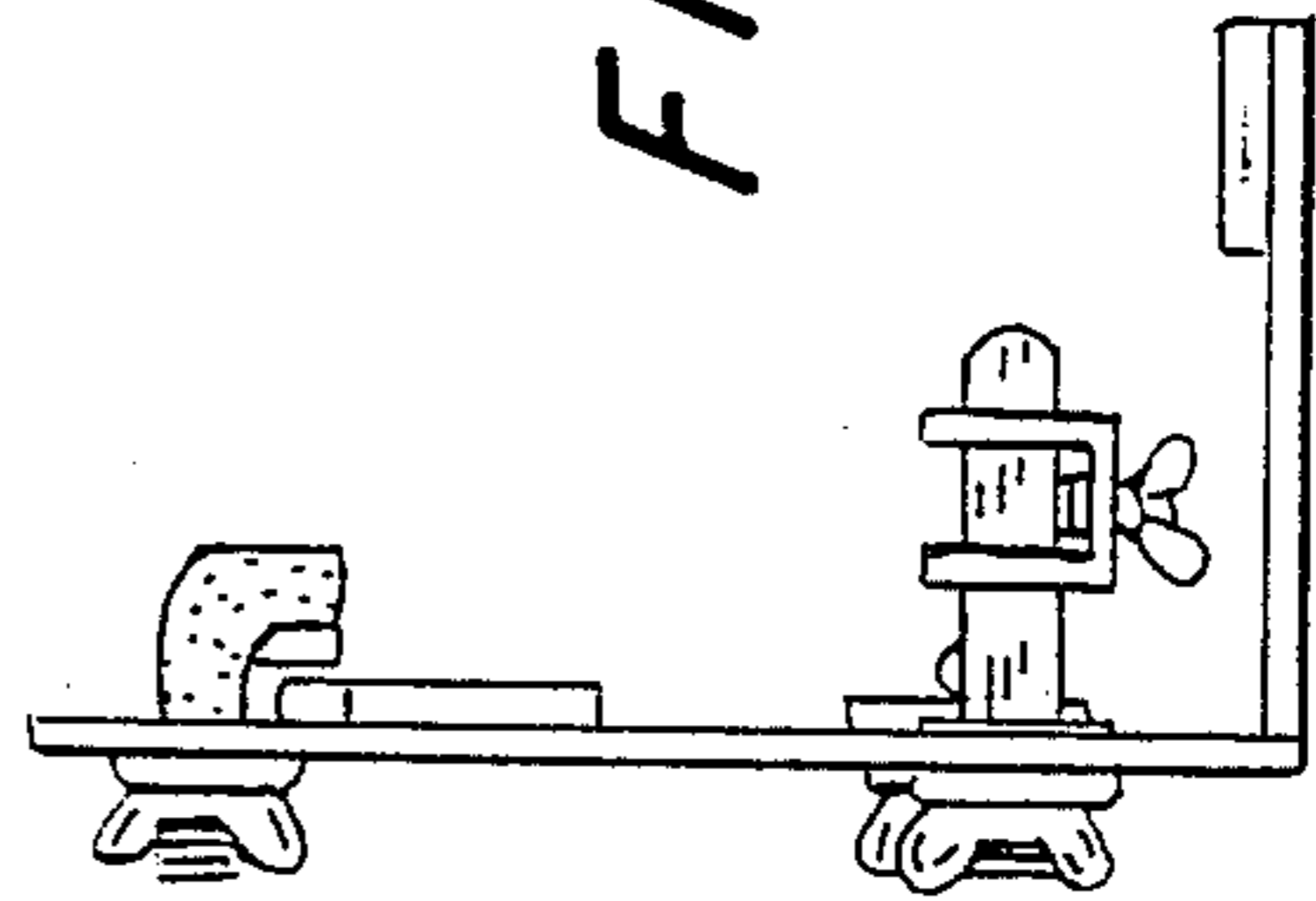


FIG. 3.