

[54] ROLLER BUOY FOR STORING ROPE CONNECTED TO AN UNDERWATER ARTICLE

[76] Inventors: Kenneth D. Saulnier, P.O. Box 97, Yarmouth, Nova Scotia, Canada, B4H 1W5; Hubert J. Van Leeuwen, 11 Princess Street, Amherst, N.S., Canada

[**] Term: 14 Years

[21] Appl. No.: 813,212

[22] Filed: Dec. 24, 1985

[30] Foreign Application Priority Data

Aug. 1, 1985 [CA] Canada 01-08-85-9

[52] U.S. Cl. D8/359

[58] Field of Search D8/358, 359; 242/96; 441/23, 26, 25; D10/107

[56] References Cited

U.S. PATENT DOCUMENTS

- D. 40,107 6/1909 Whiteman D8/358
- D. 119,753 4/1940 Hunt D8/359
- D. 208,716 9/1967 Nieman D8/359

- D. 281,482 11/1985 Suzuki D8/358
- 2,310,017 2/1943 Conan et al. D10/107 X
- 2,572,676 10/1951 Sivyens 441/23 X
- 2,629,083 2/1951 Mason et al. 441/23 X
- 2,978,690 4/1961 Karie et al. 441/26 X
- 3,905,060 9/1975 Higgs 441/26 X
- 4,074,380 2/1978 Parker 441/26
- 4,319,372 3/1982 Tausig 441/26 X

Primary Examiner—Horace B. Fay

[57] CLAIM

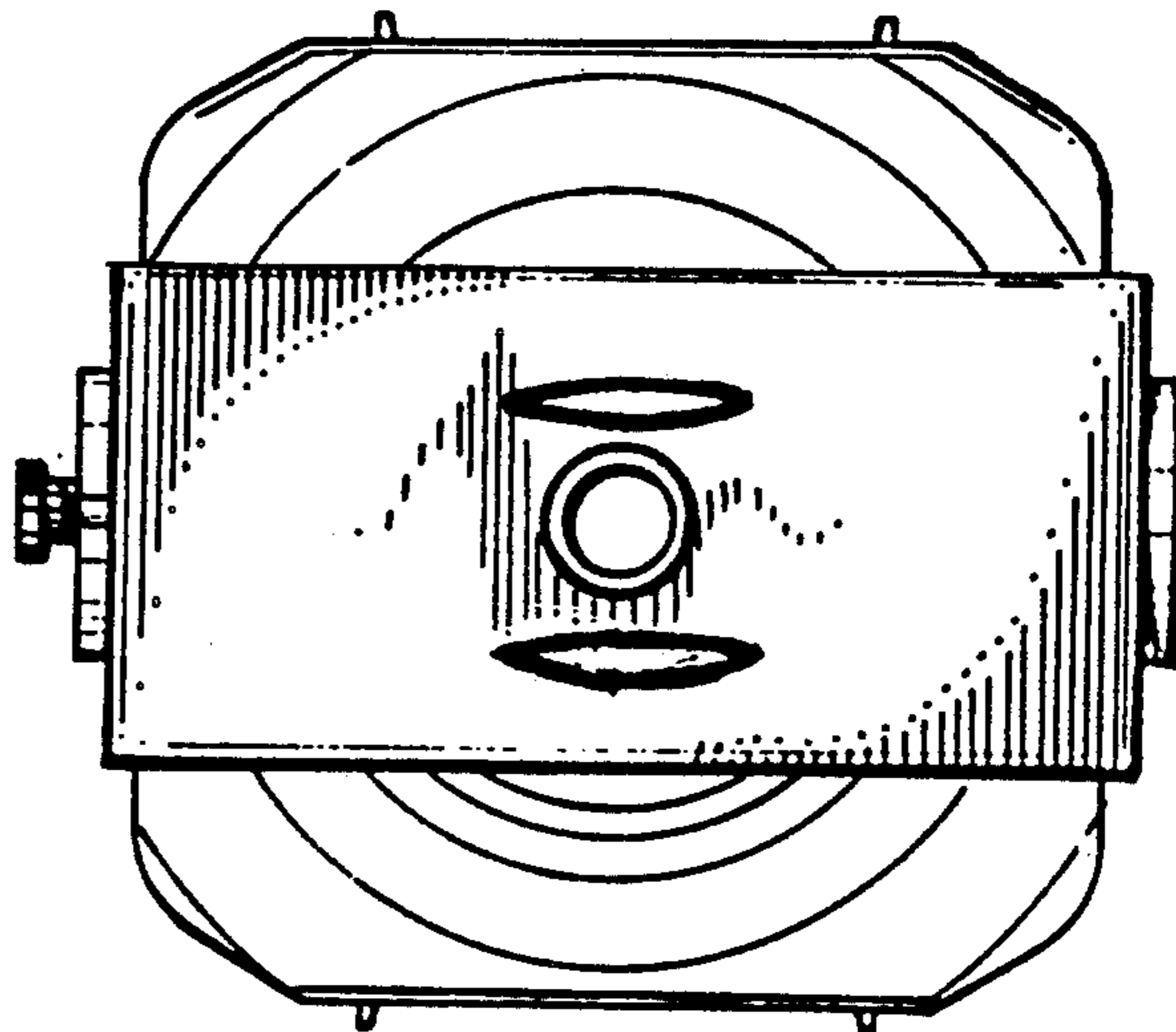
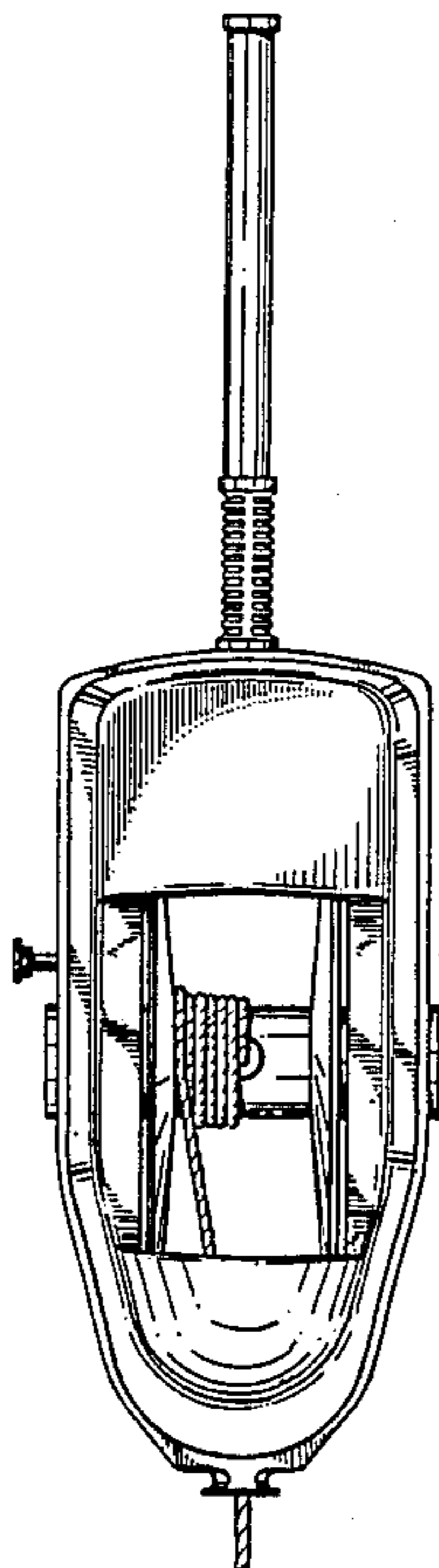
The ornamental design for roller buoy for storing rope connected to an underwater article, as shown and described.

DESCRIPTION

FIG. 1 is a side elevational view of a roller buoy for storing rope connected to an underwater article showing our new design; and a view of the side opposite being substantially a mirror image;

FIG. 2 is front elevational view thereof, the rear elevational view thereof being substantially a mirror image; and

FIGS. 3 and 4 are respectively top and bottom plan views.



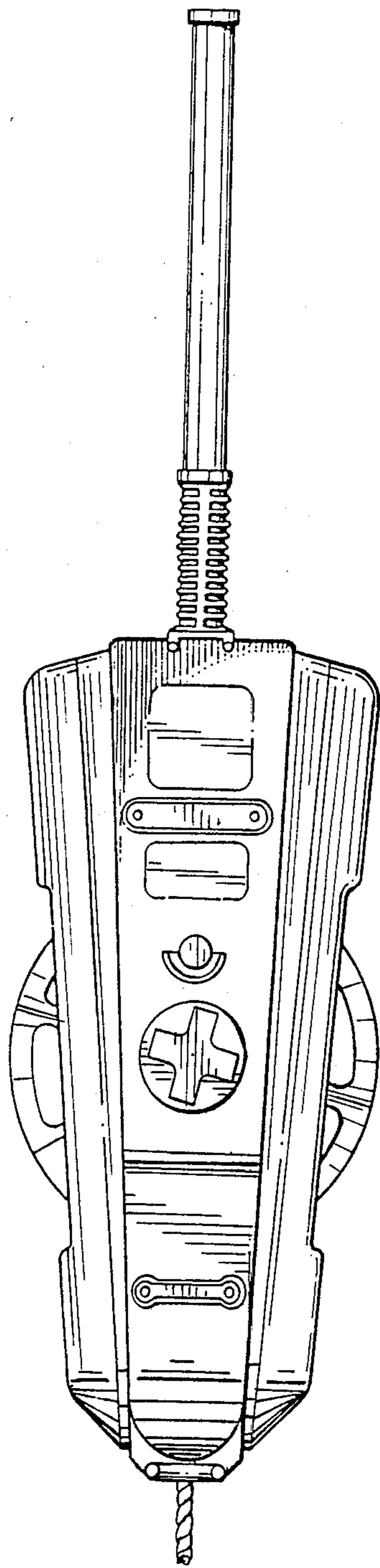


FIG. 1

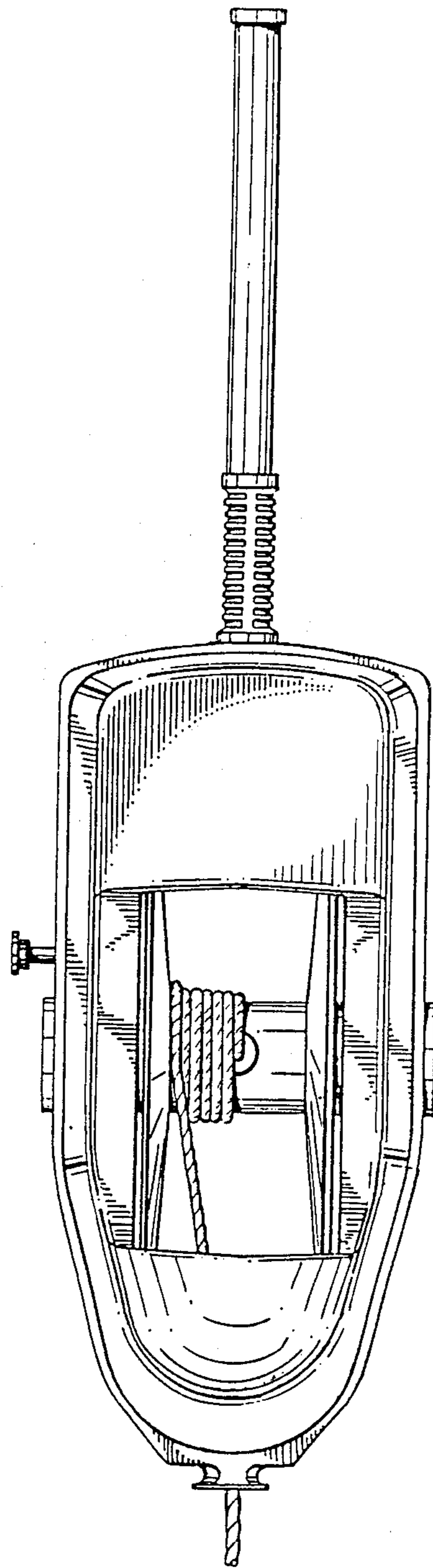


FIG. 2

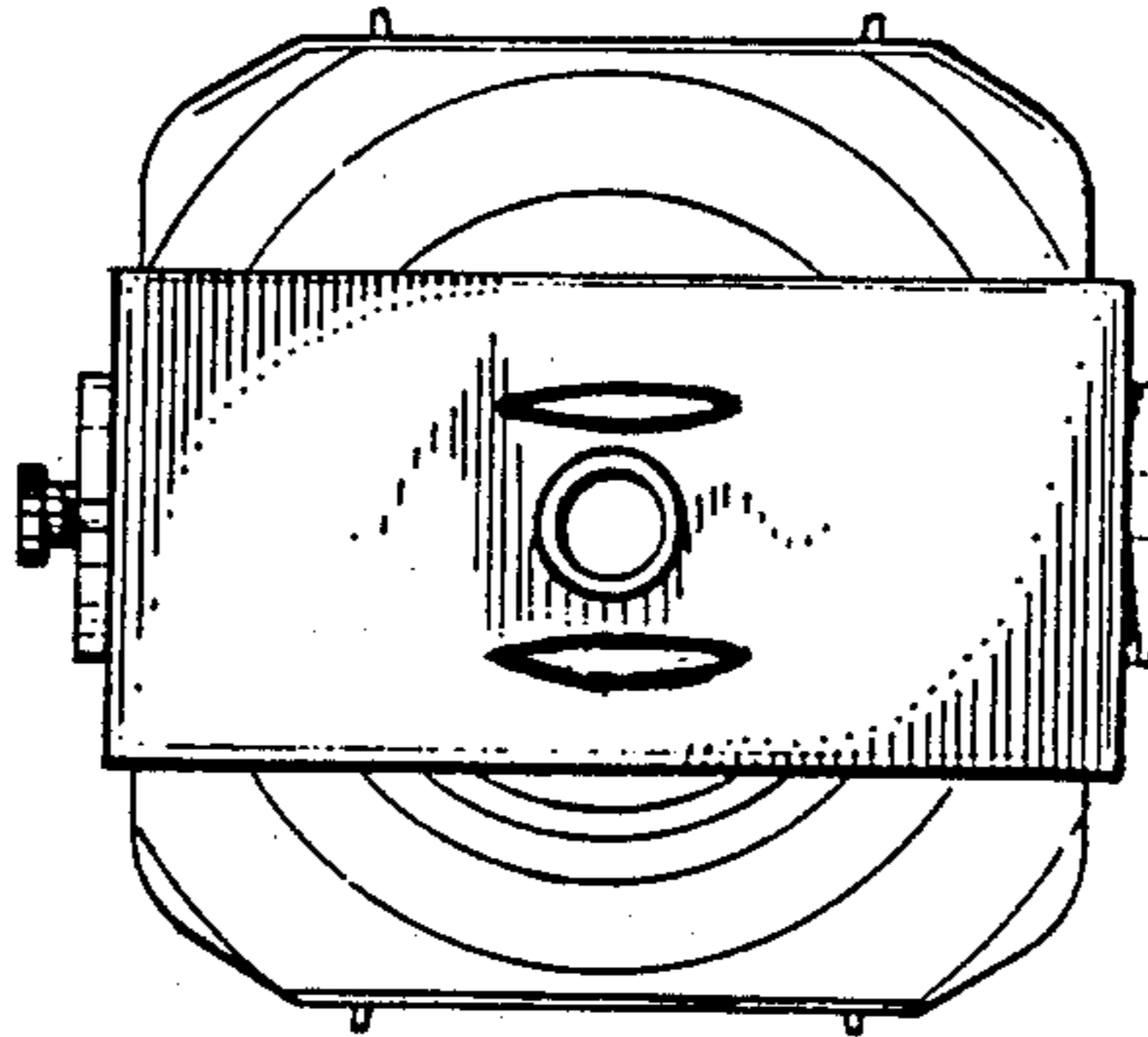


FIG. 3

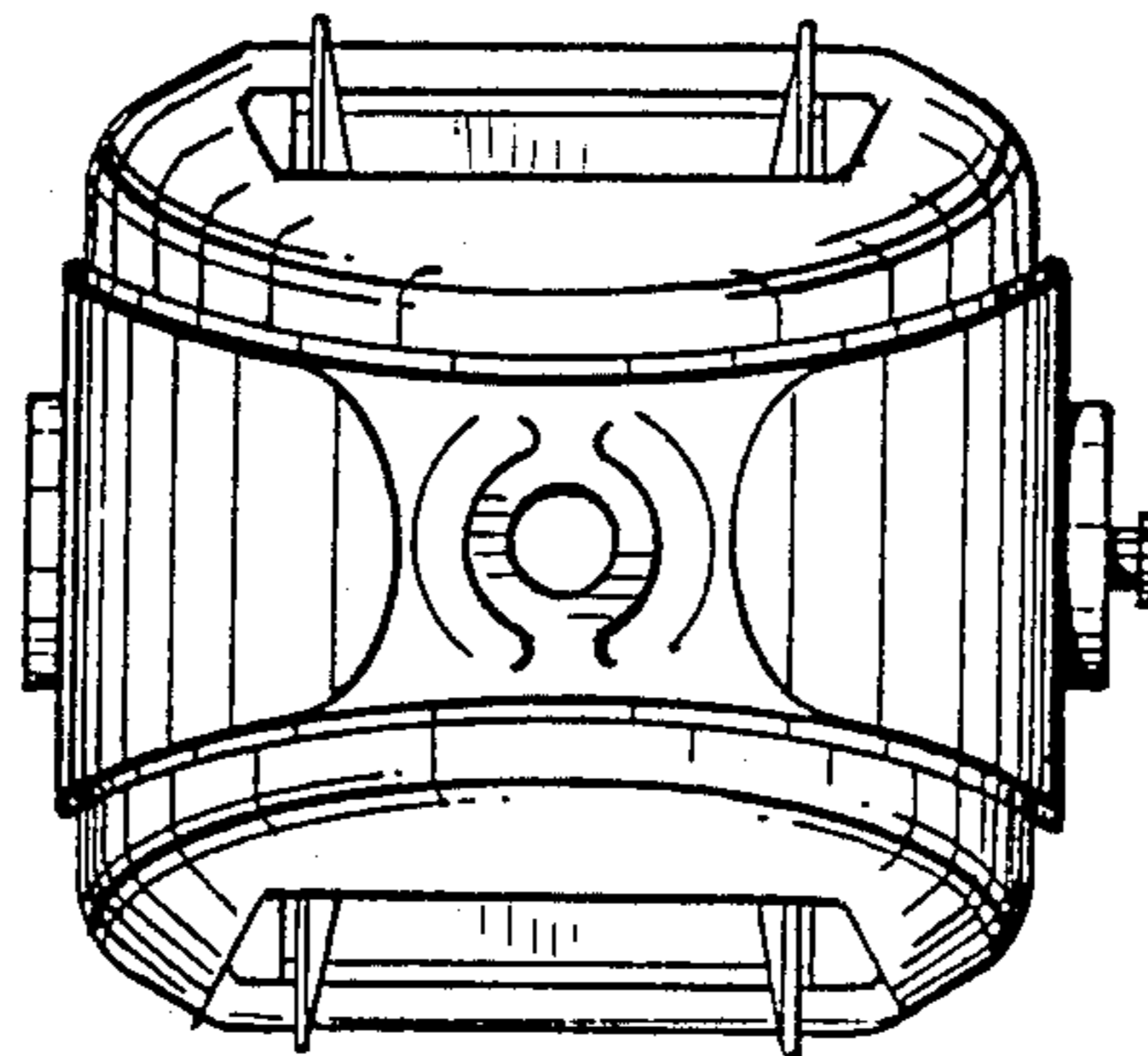


FIG. 4