

[54] MITRE BOX

[76] Inventor: Ronald N. Belsham, 68 St. Leonards Avenue, Leederville, Australia

[\*\*] Term: 14 Years

[21] Appl. No.: 791,799

[22] Filed: Oct. 28, 1985

[52] U.S. Cl. .... D8/71

[58] Field of Search ..... D8/71-74,  
D8/98, 104-105; 30/286, 289-290; 83/746,  
477, 477.1-477.2, 486.1, 490, 574, 580-581,  
760-768; 269/1, 41, 95, 246-253, 258, 295

[56] References Cited

U.S. PATENT DOCUMENTS

D. 277,932	3/1985	Baptiste	.....	D8/71
3,643,937	2/1972	Russ	.....	269/251
4,095,500	6/1978	Rouse	.....	83/762
4,300,755	11/1981	Potvin	.....	83/762 X
4,413,818	11/1983	Lenz	.....	269/251 X

Primary Examiner—Wallace R. Burke

Assistant Examiner—Brian N. Vinson

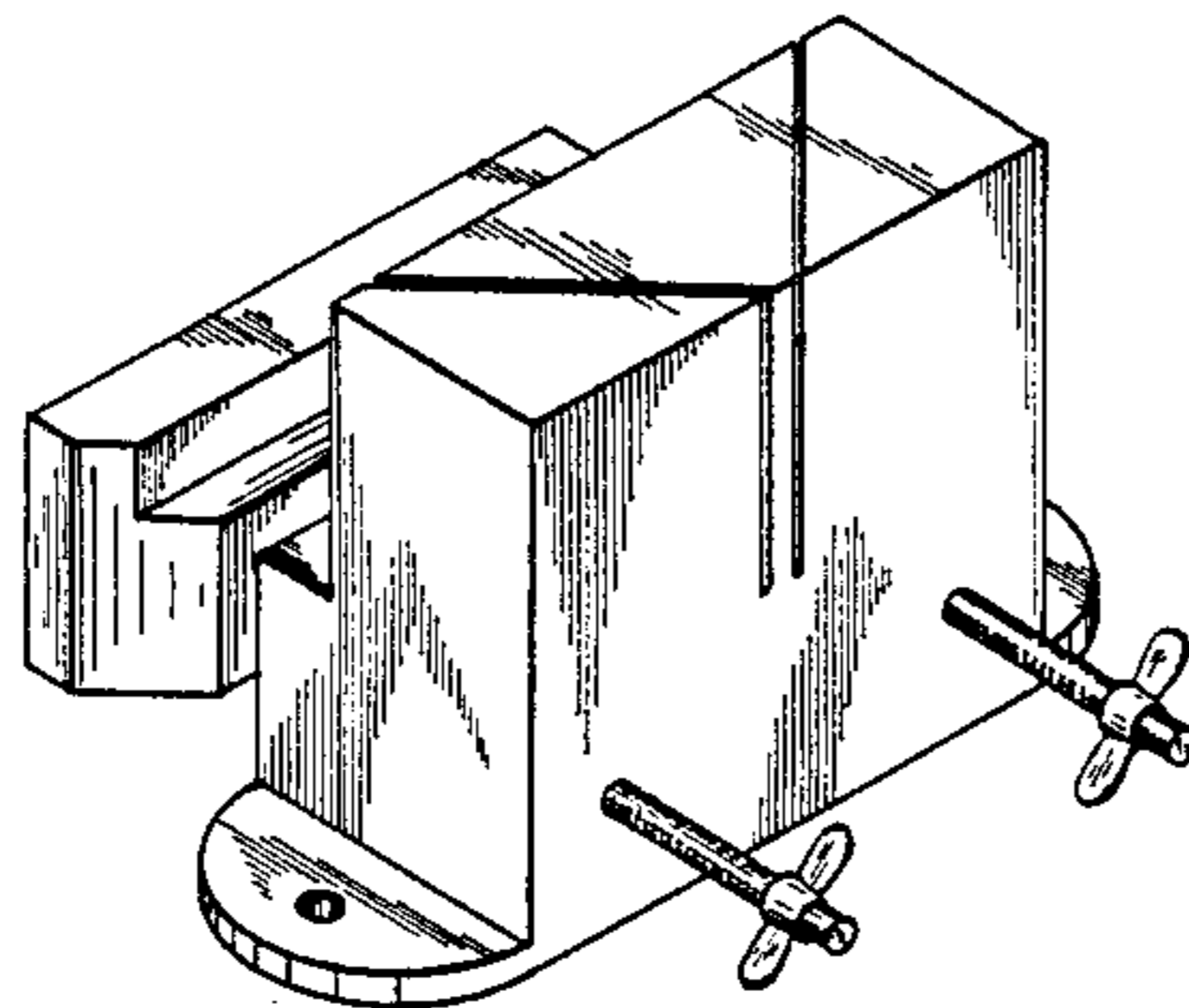
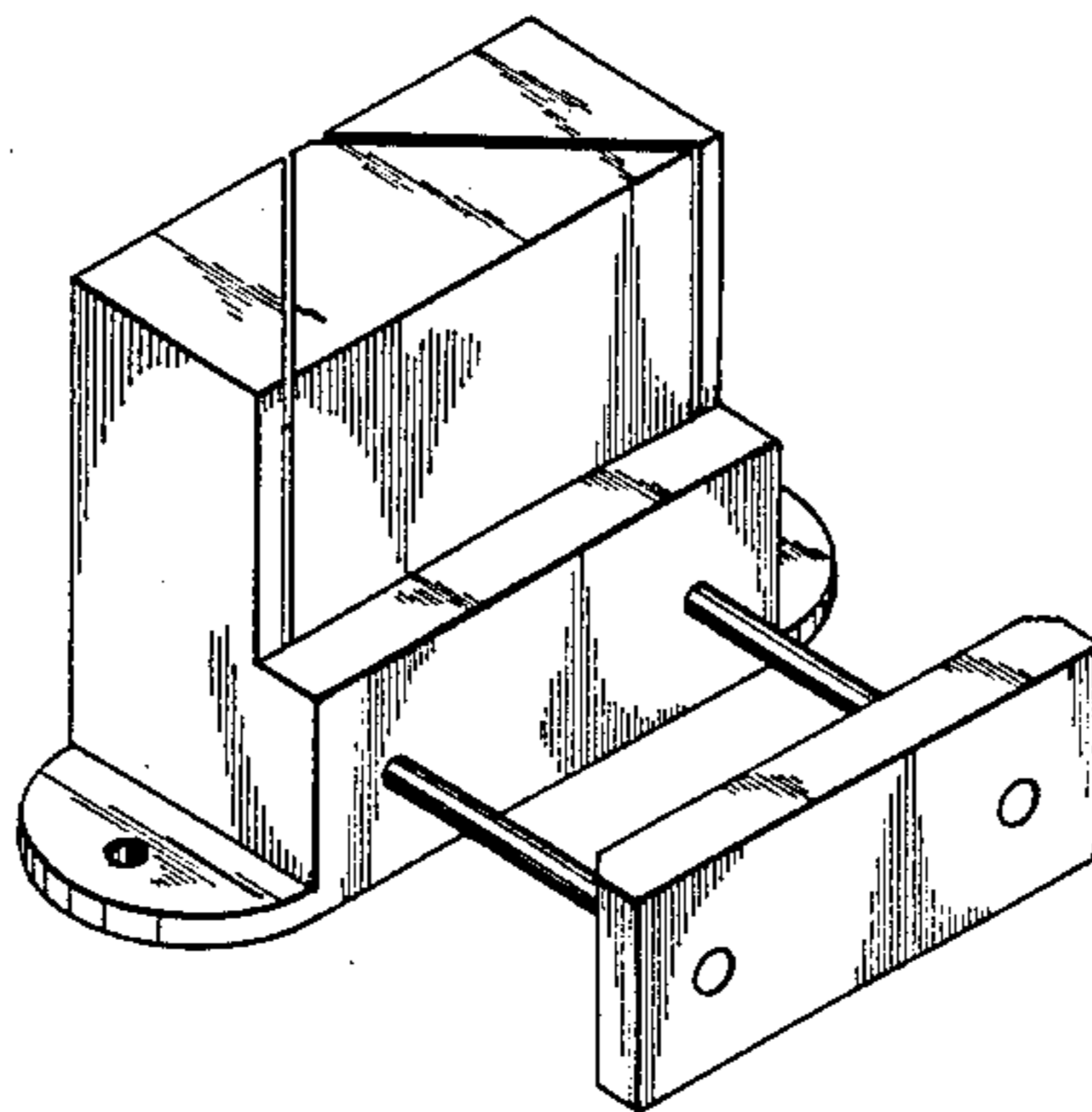
Attorney, Agent, or Firm—Harness, Dickey & Pierce

[57] CLAIM

The ornamental design for a mitre box, as shown.

DESCRIPTION

FIG. 1 is a top, front perspective view of a mitre box showing my new design; and  
FIG. 2 is a top rear perspective view thereof.



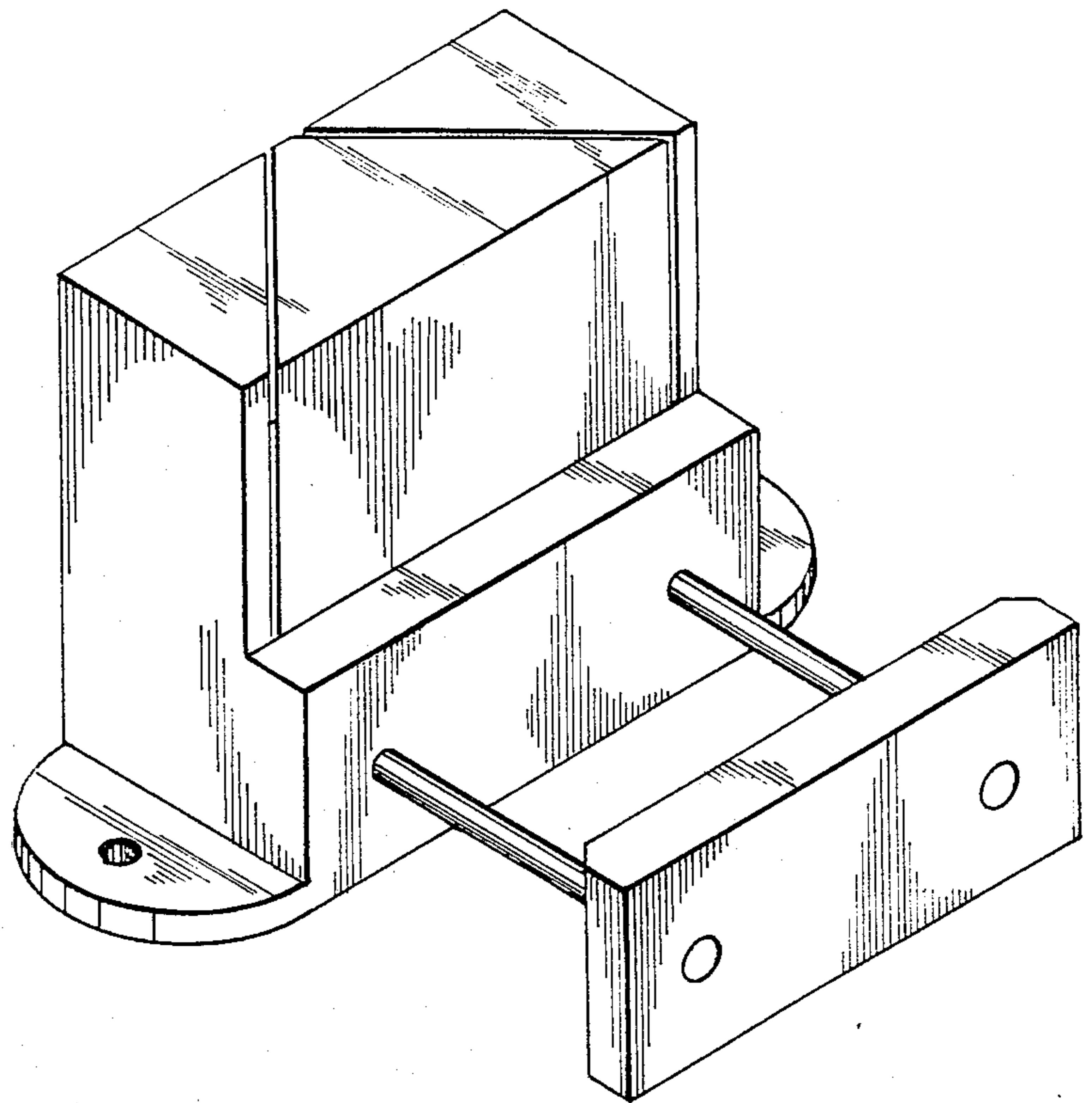


Fig. 1

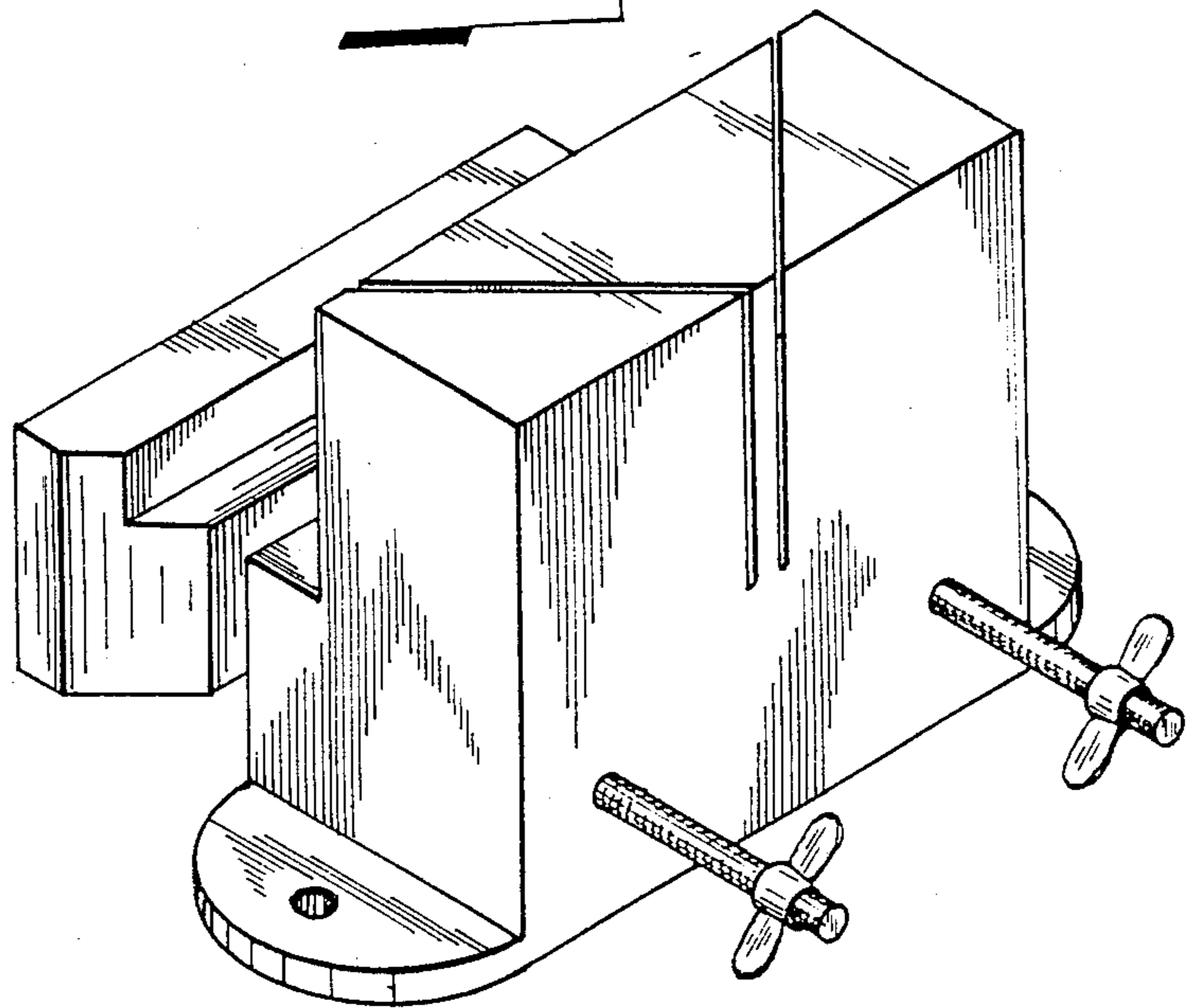


Fig. 2