

United States Patent [19]

Ragon

[11] Patent Number: **Des. 298,793**

[45] Date of Patent: **** Dec. 6, 1988**

[54] BARBEQUE GRILL

[76] Inventor: **Robert E. Ragon, 1655 College Pky.,
Lewisville, Tex. 75067**

[**] Term: **14 Years**

[21] Appl. No.: **918,859**

[22] Filed: **Oct. 14, 1986**

[52] U.S. Cl. **D7/332**

[58] Field of Search **D7/331-332,
D7/347, 402-403, 338, 339, 340; 126/14, 25 R,
25 A, 25 AA, 25 B, 26, 29-30, 38, 41 R, 9 R, 9
B; 99/419, 421 R, 421 A, 421 HV, 481, 393,
399, 484, 468, 481**

[56] **References Cited**

U.S. PATENT DOCUMENTS

3,025,784 3/1962 Williams 126/25 R

3,140,651 7/1964 Barnett 126/25 R
3,307,528 3/1967 Cook 126/19.5
4,616,627 10/1986 Haygood 126/25 R

Primary Examiner—Wallace R. Burke
Assistant Examiner—Ruth Takemoto
Attorney, Agent, or Firm—Terry M. Gernstein

[57] CLAIM

The ornamental design for a barbeque grill, as shown and described.

DESCRIPTION

FIG. 1 is a top, front and side perspective view of a barbeque grill showing my new design;
FIG. 2 is a left side elevational view thereof;
FIG. 3 is a top plan view thereof;
FIG. 4 is a right side elevational view thereof;
FIG. 5 is a rear elevational view thereof;
FIG. 6 is a top plan view thereof;
FIG. 7 is a top plan view thereof, in an open position.

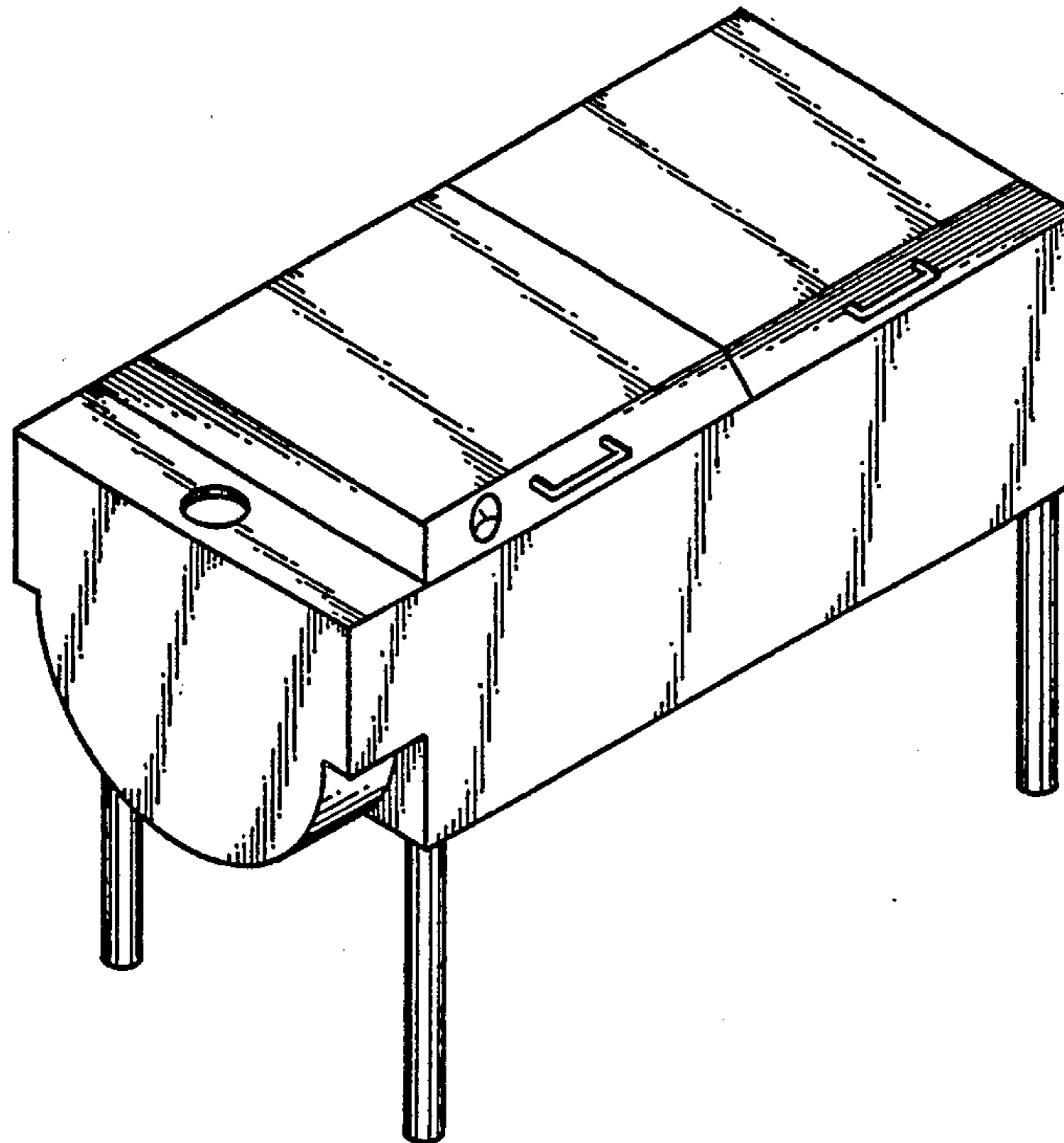


Fig. 1

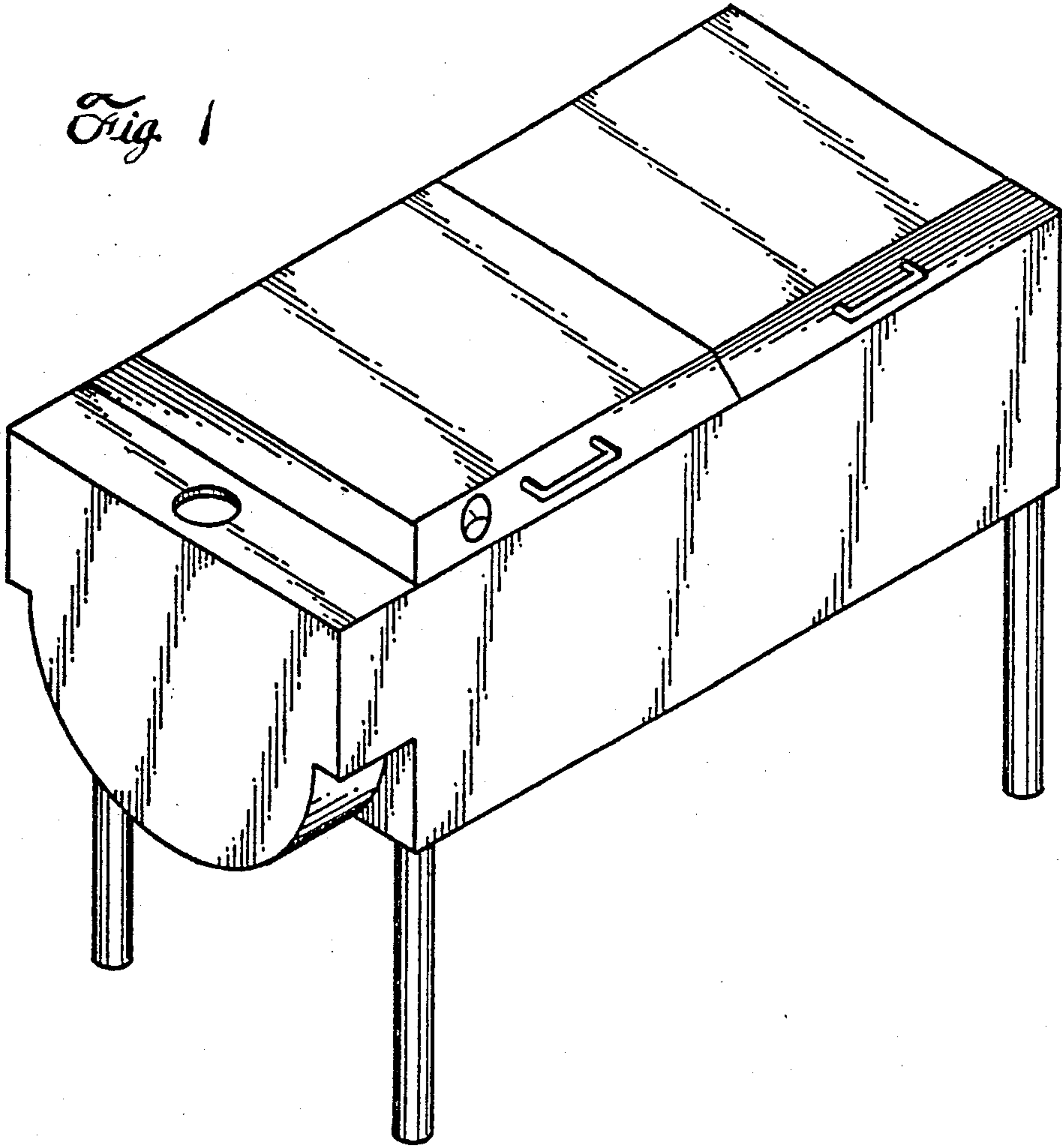


Fig. 2

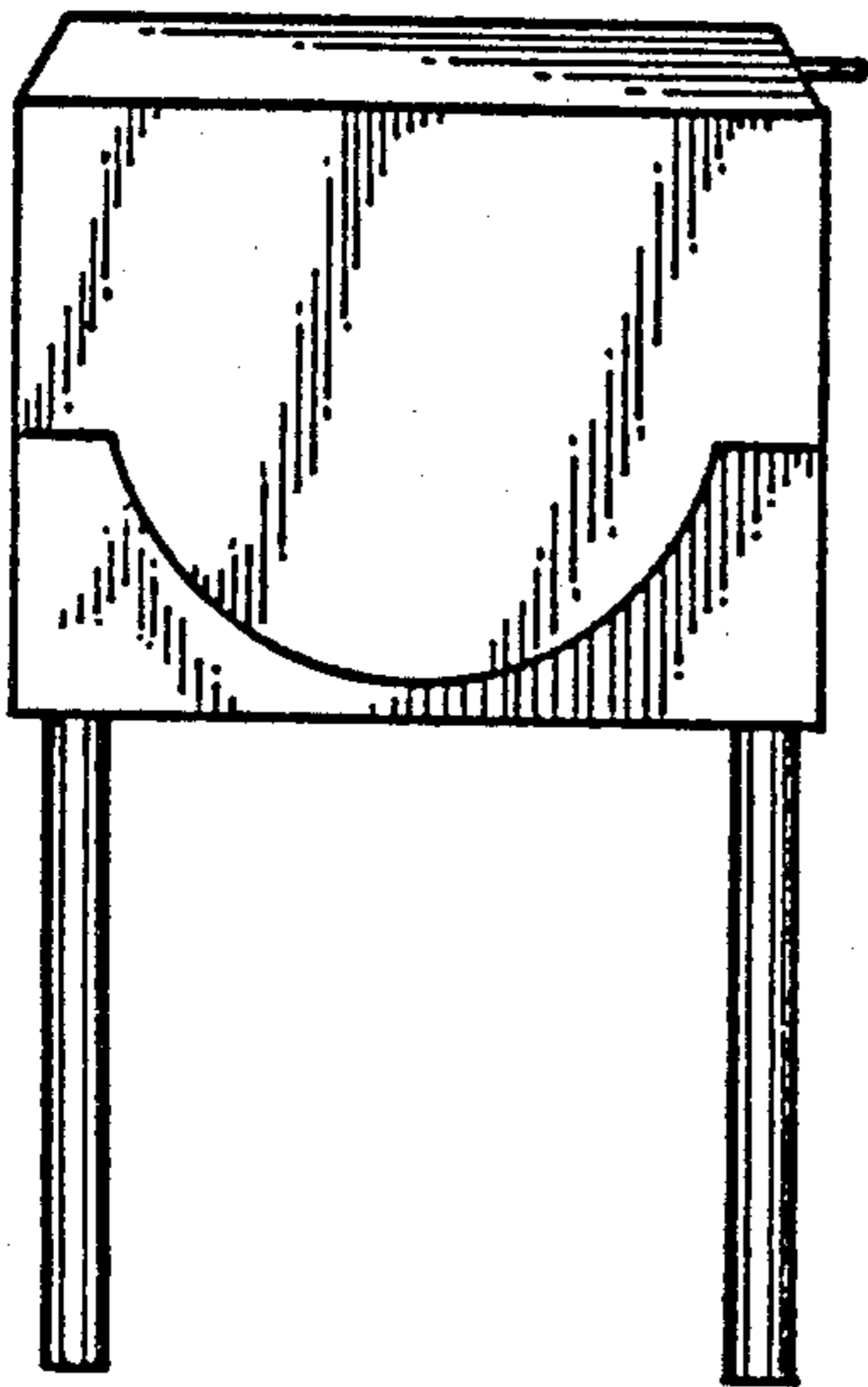
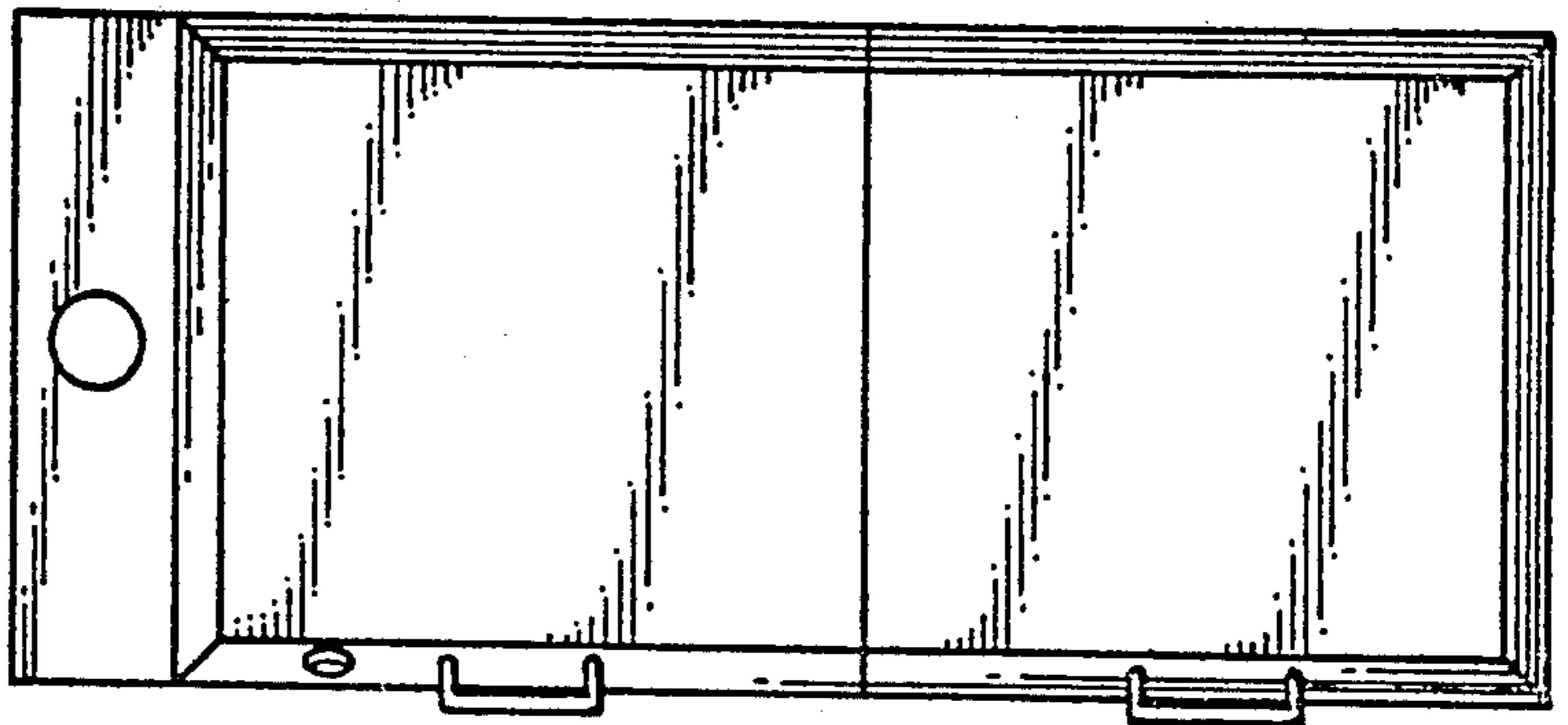


Fig. 3



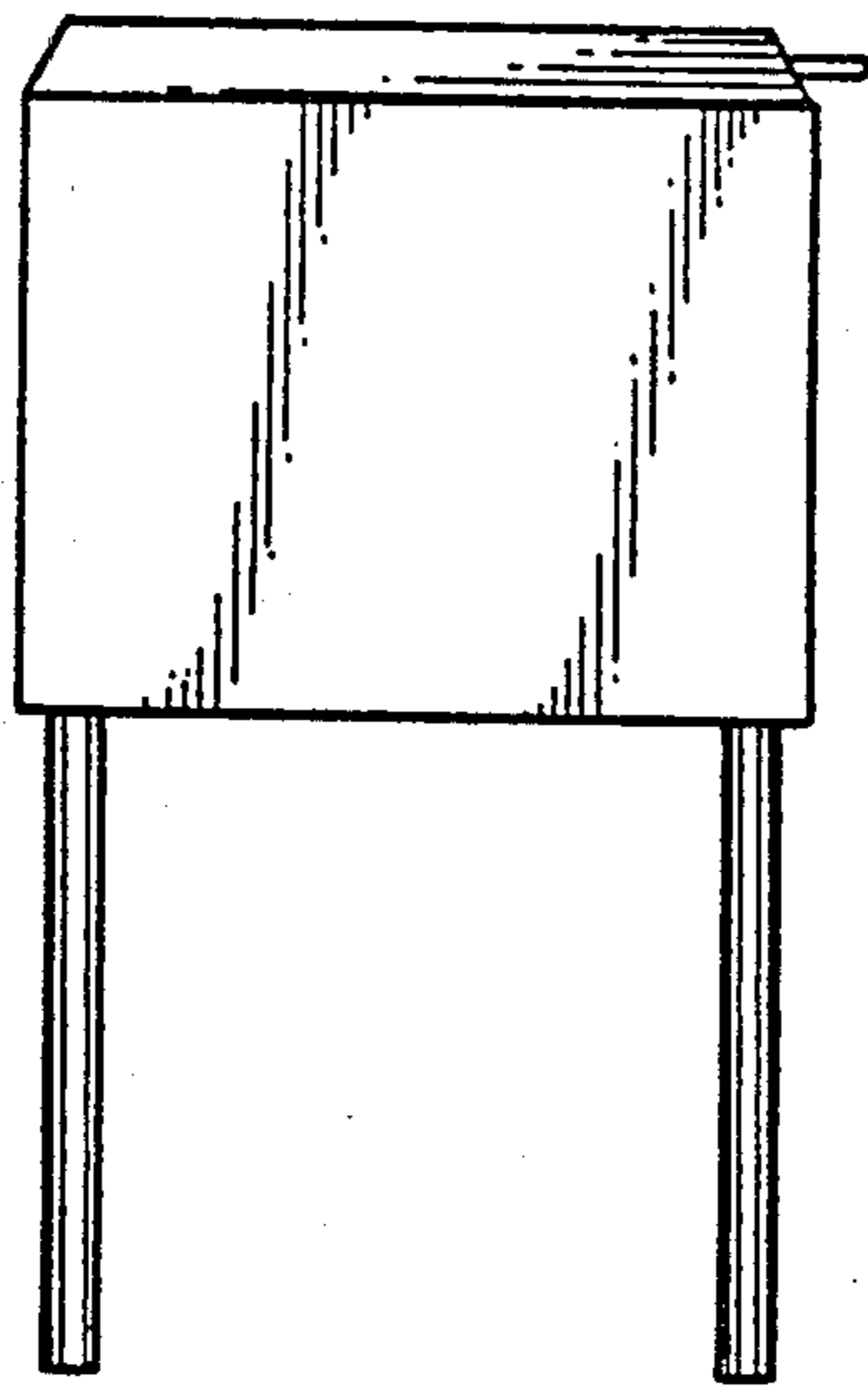


Fig. 4

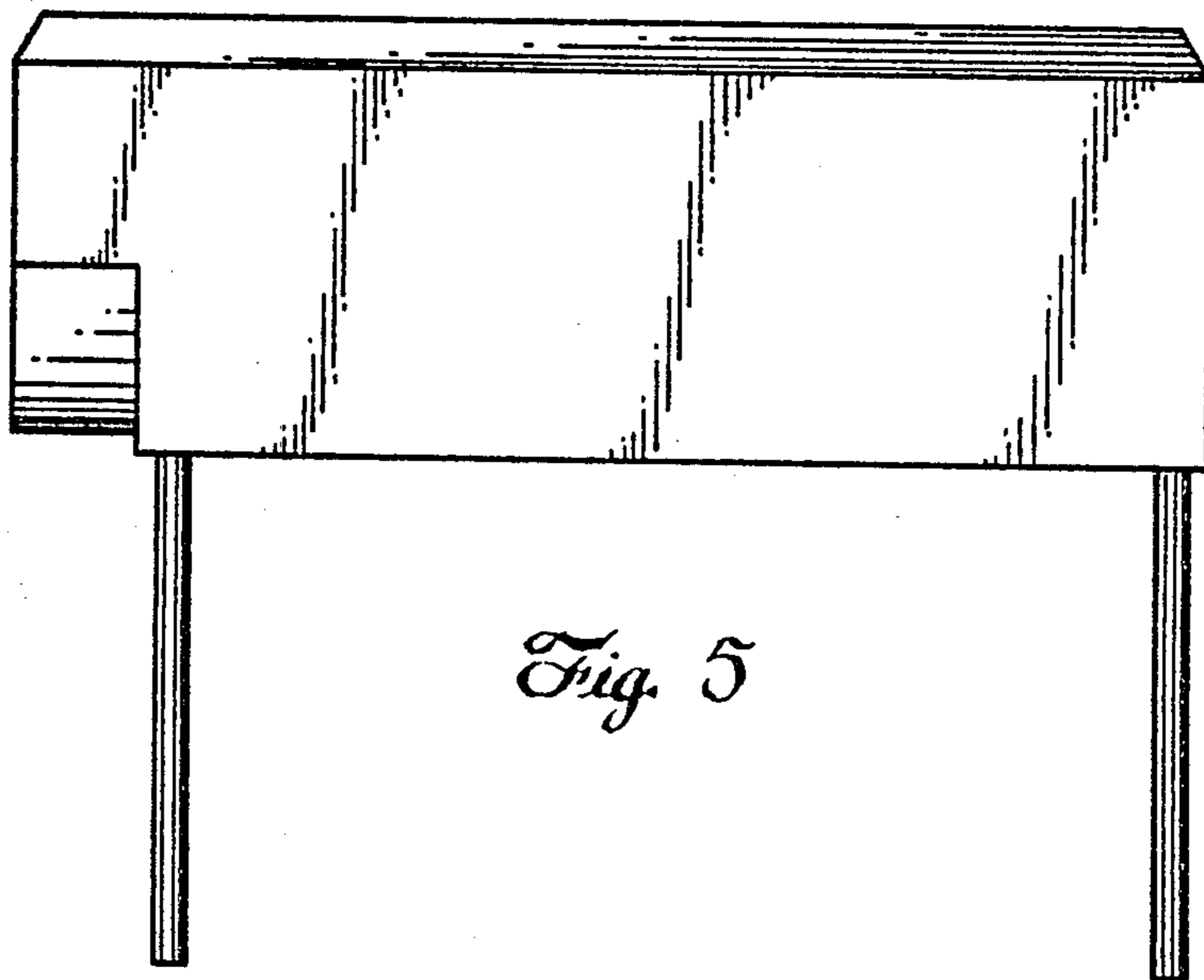
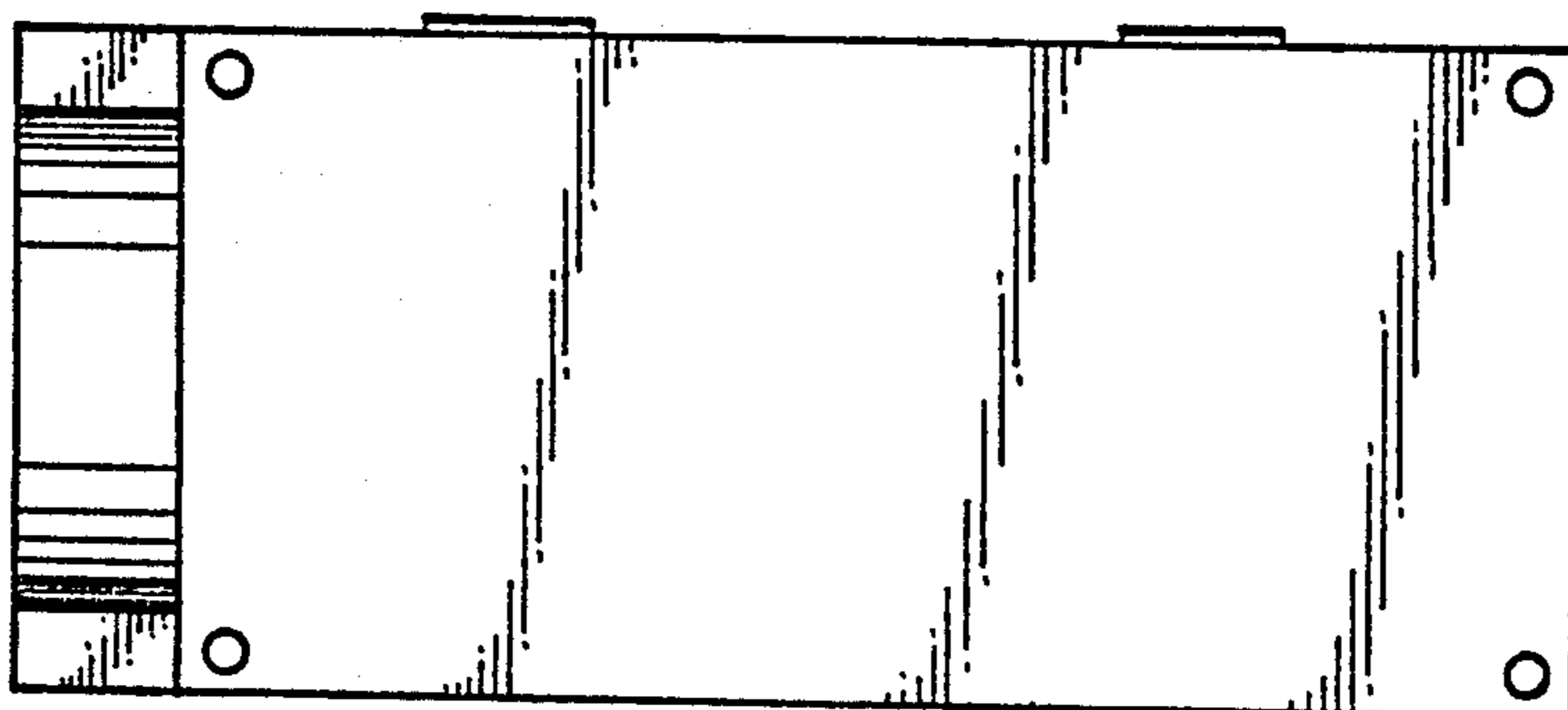


Fig. 5

Fig. 6



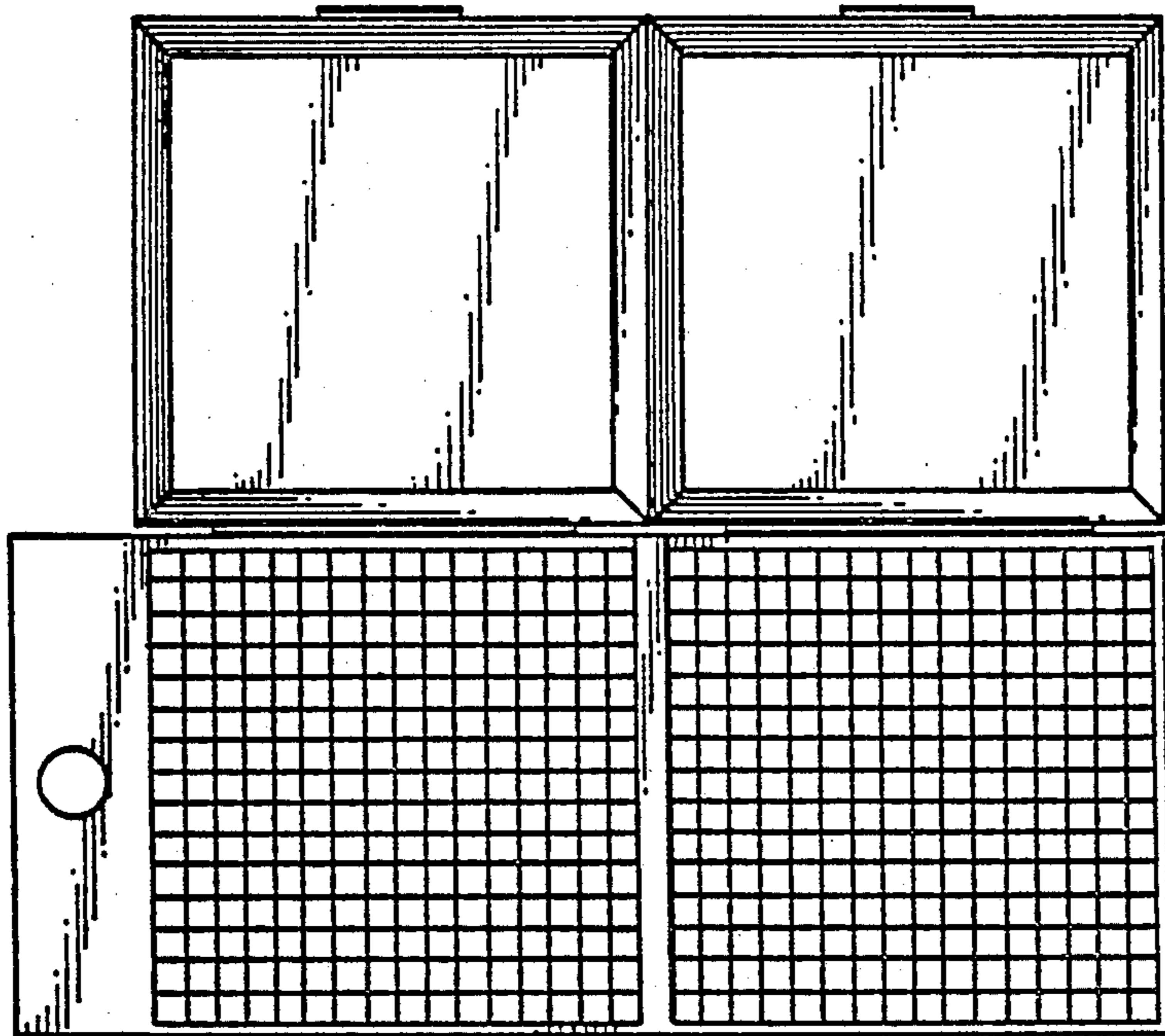


Fig. 7