

[54] BARBECUE SPATULA

[75] Inventors: James E. Tucker, Batavia; John F. Beecher, III, Carpentersville, both of Ill.

[73] Assignee: Weber-Stephen Products Co., Palatine, Ill.

[**] Term: 14 Years

[21] Appl. No.: 763,856

[22] Filed: Aug. 8, 1985

[52] U.S. Cl. D7/102

[58] Field of Search D7/99, 102, 103; 294/7, 294/8

[56] References Cited

U.S. PATENT DOCUMENTS

- D. 55,215 5/1920 Talbot 30/324 X
- D. 262,346 12/1981 Riggles, Jr. et al. D7/102

OTHER PUBLICATIONS

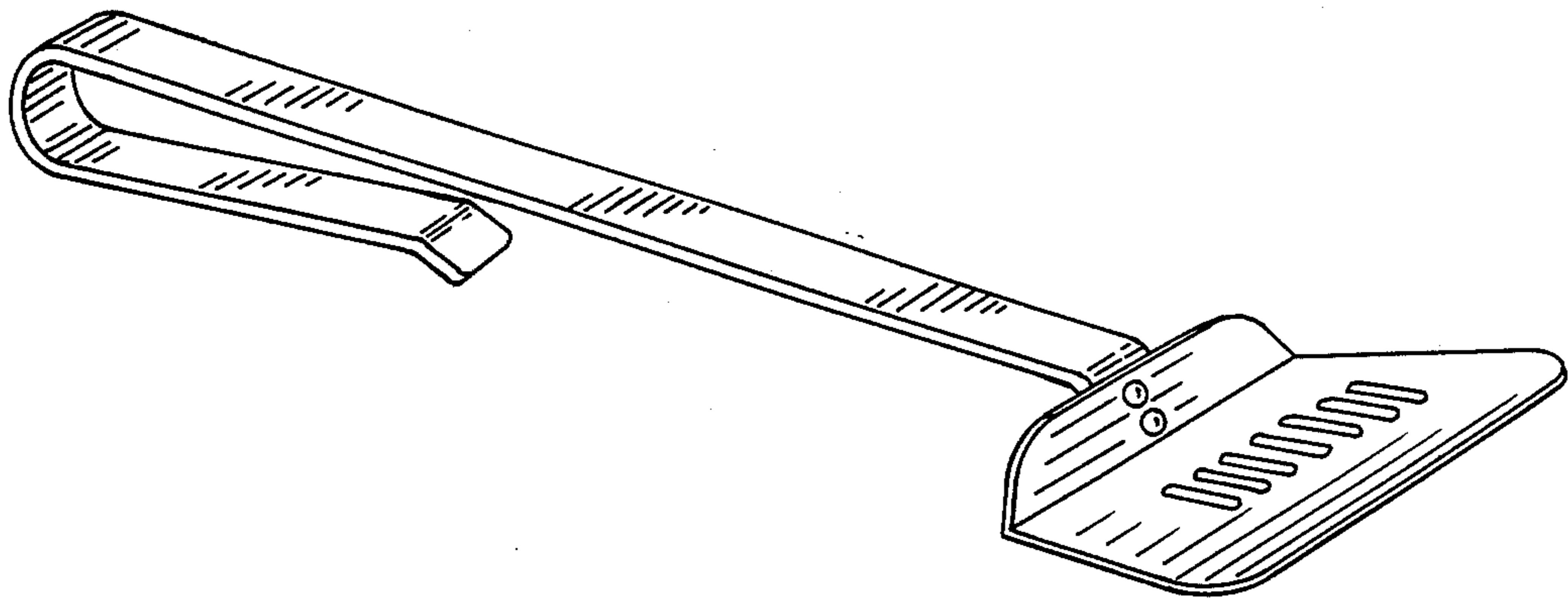
Hong Kong Enterprise, 5/82, p. 1, Spatula, top page.
Primary Examiner—Bernard Ansher
Assistant Examiner—Terry Pfeffer
Attorney, Agent, or Firm—Wallenstein Wagner Hattis & Strampel, Ltd.

[57] CLAIM

The ornamental design for a barbecue spatula, as shown and described.

DESCRIPTION

FIG. 1 is a perspective view of a barbecue spatula showing our new design;
 FIG. 2 is a top plan view thereof;
 FIG. 3 is a left side elevational view thereof;
 FIG. 4 is a bottom plan view thereof;
 FIG. 5 is a front elevational view thereof; and
 FIG. 6 is a rear elevational view thereof.



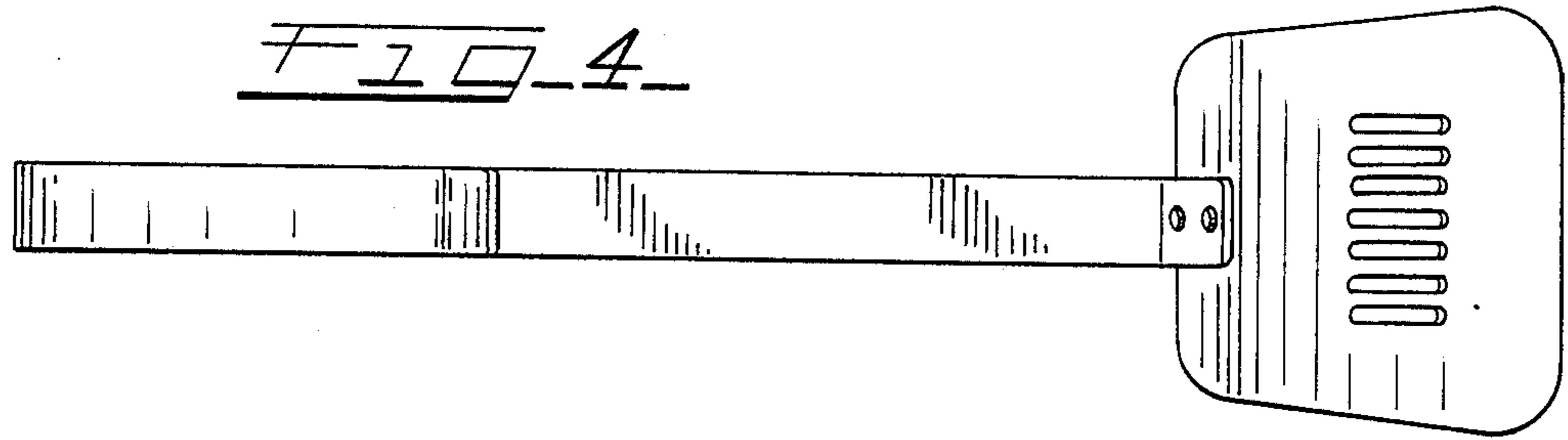
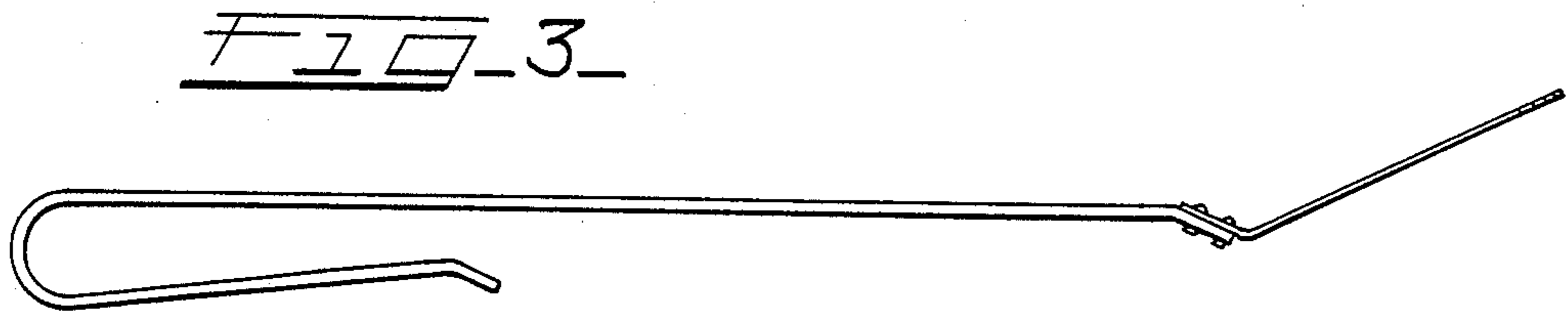
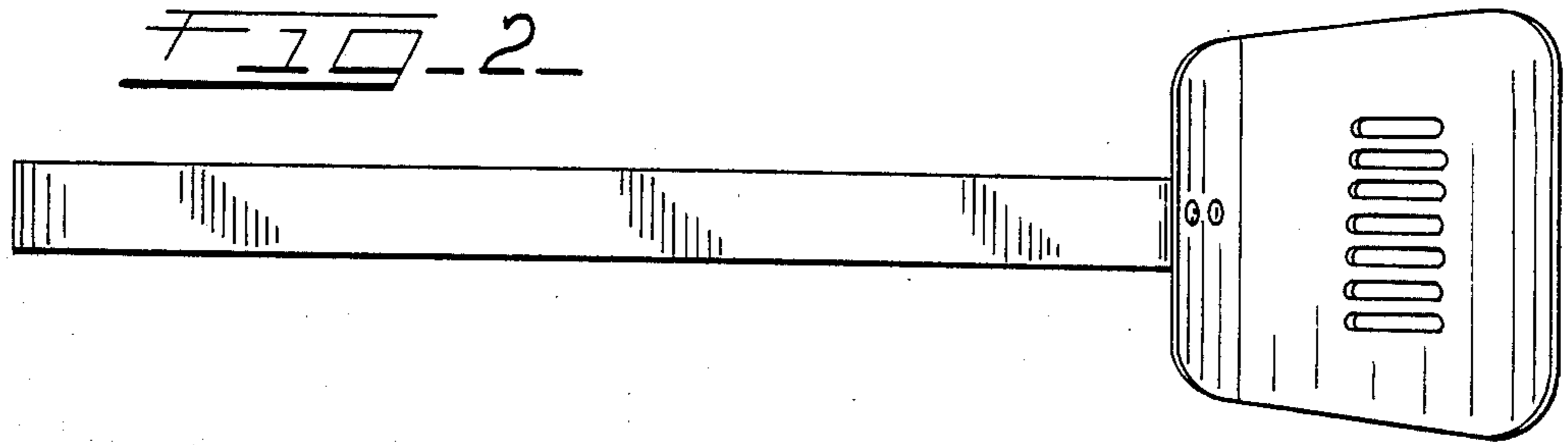
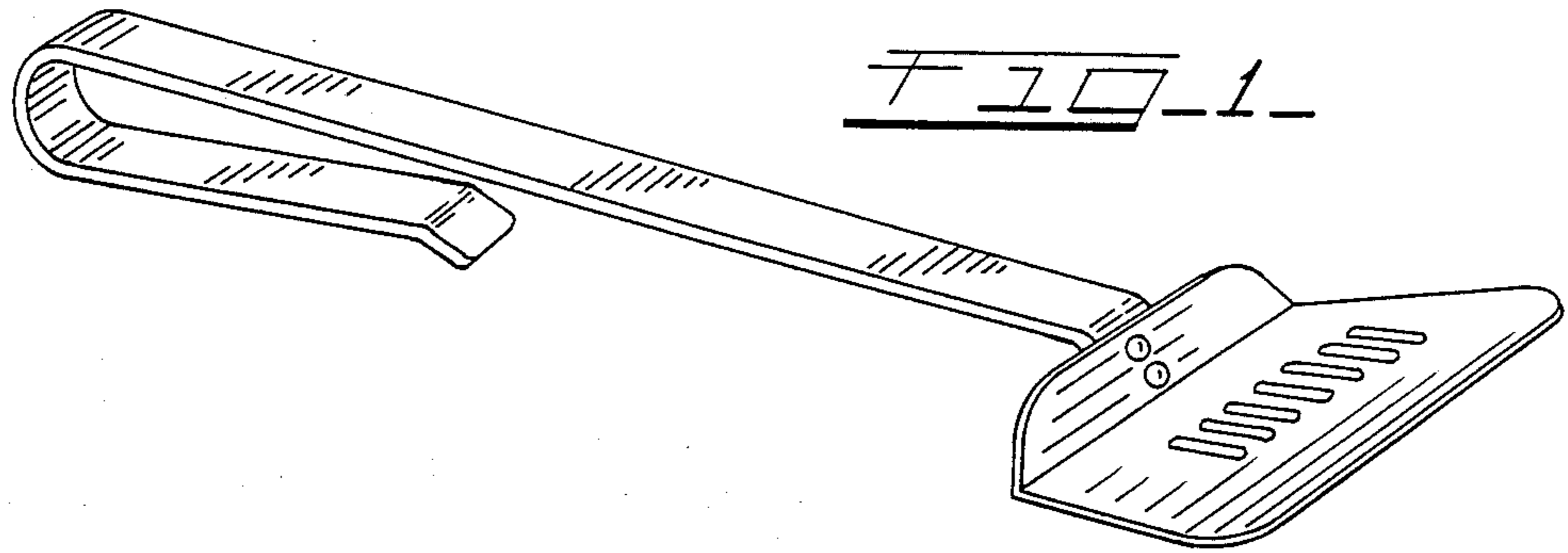


FIG. 5

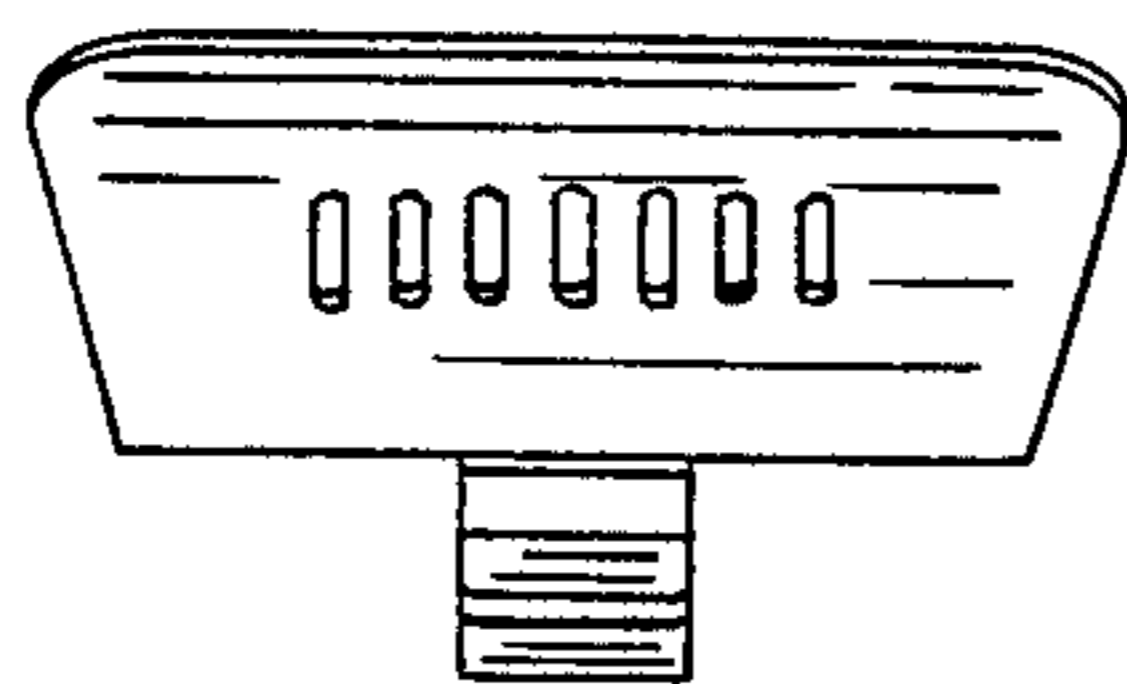


FIG. 6

