

[54] **COMBINATION CAKE TRAY AND COVER**

[75] **Inventor: Michael E. Holzkopf, Libertyville, Ill.**

[73] **Assignee: Ekco Products, Inc., Wheeling, Ill.**

[**] **Term: 14 Years**

[21] **Appl. No.: 763,030**

[22] **Filed: Aug. 6, 1985**

[52] **U.S. Cl. D7/83**

[58] **Field of Search D7/83, 37; D9/425, 431, D9/429; 229/906, 2.5 R, 5.5; 220/23; 249/52**

[56] **References Cited**

U.S. PATENT DOCUMENTS

D. 195,699 7/1963 Bostrom D9/429
D. 198,545 6/1964 Bostrom .

OTHER PUBLICATIONS

Restaurants & Institutions, 3/82, p. 75, Platter with cover.

Restaurants & Institutions, 3/82, p. 73, Carry-Out Container.

Primary Examiner—Bernard Ansher

Assistant Examiner—Terry Pfeffer

Attorney, Agent, or Firm—Neuman, Williams, Anderson & Olson

[57] **CLAIM**

The ornamental design for a combination cake tray and cover, as shown and described.

DESCRIPTION

FIG. 1 is a top, front, right side perspective view of a combination cake tray and cover showing my new design;

FIG. 2 is a top, front, right side perspective view of the cover shown separately for clarity of illustration;

FIG. 3 is a top, front, right side perspective view of the tray shown separately for clarity of illustration;

FIG. 4 is a top plan view of the cover portion thereof;

FIG. 5 is a rear elevational view of the cover portion thereof;

FIG. 6 is a left side elevational view of the cover portion thereof;

FIG. 7 is a bottom plan view of the cover portion thereof;

FIG. 8 is a top plan view of the tray portion thereof;

FIG. 9 is a rear elevational view of the tray portion thereof;

FIG. 10 is a left side elevational view of the tray portion thereof; and

FIG. 11 is a bottom plan view of the tray portion thereof.

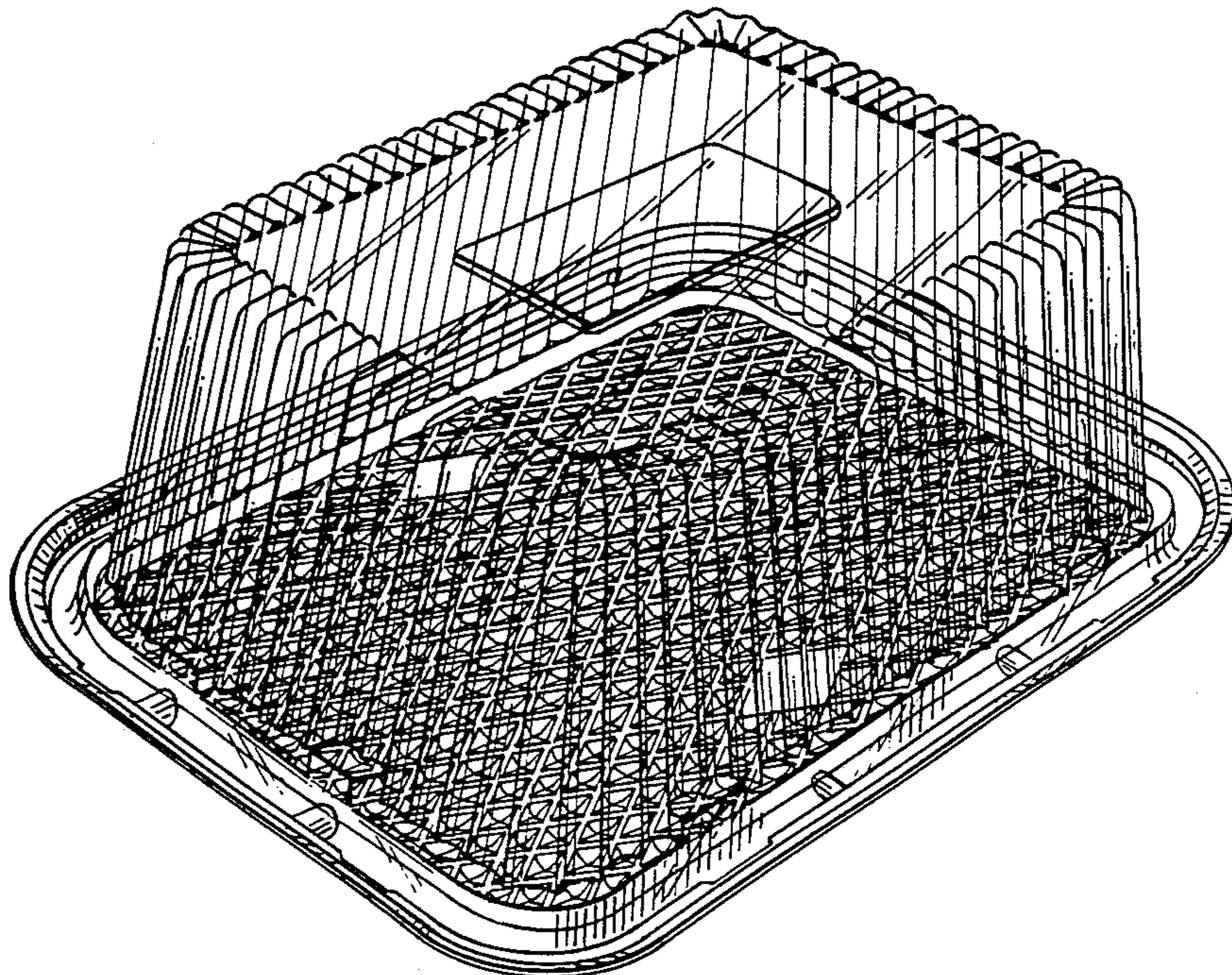
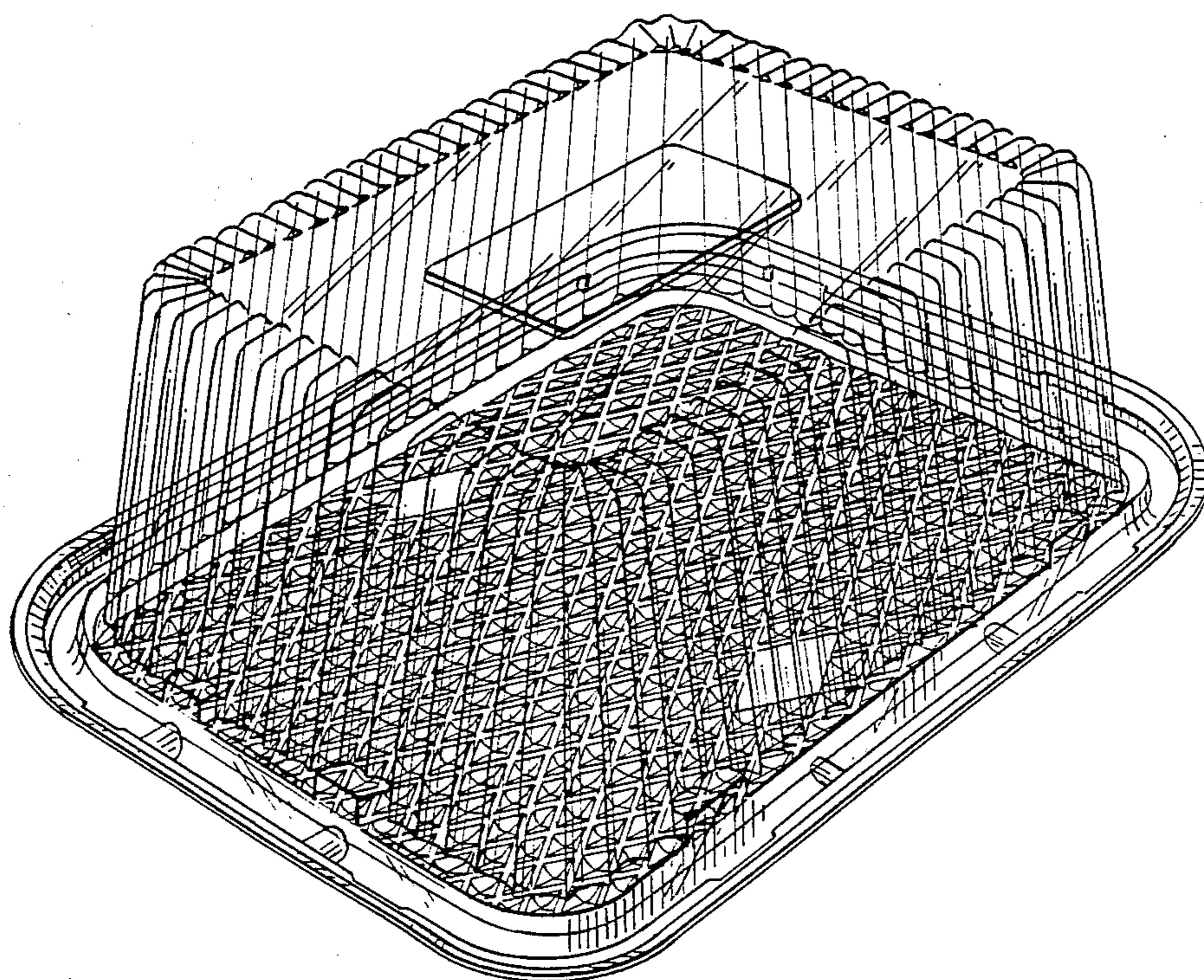


FIG. 1



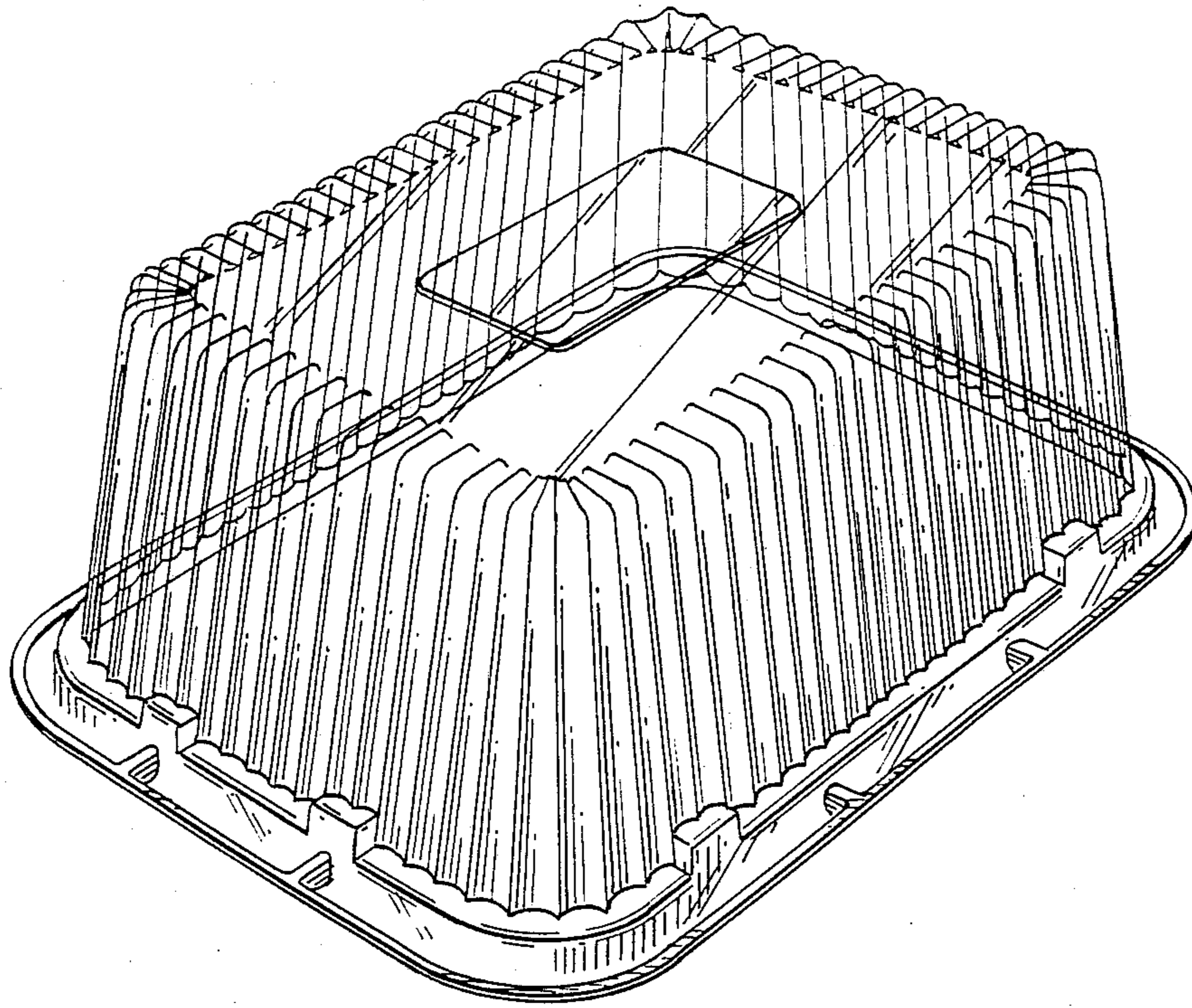


FIG. 2

FIG. 3

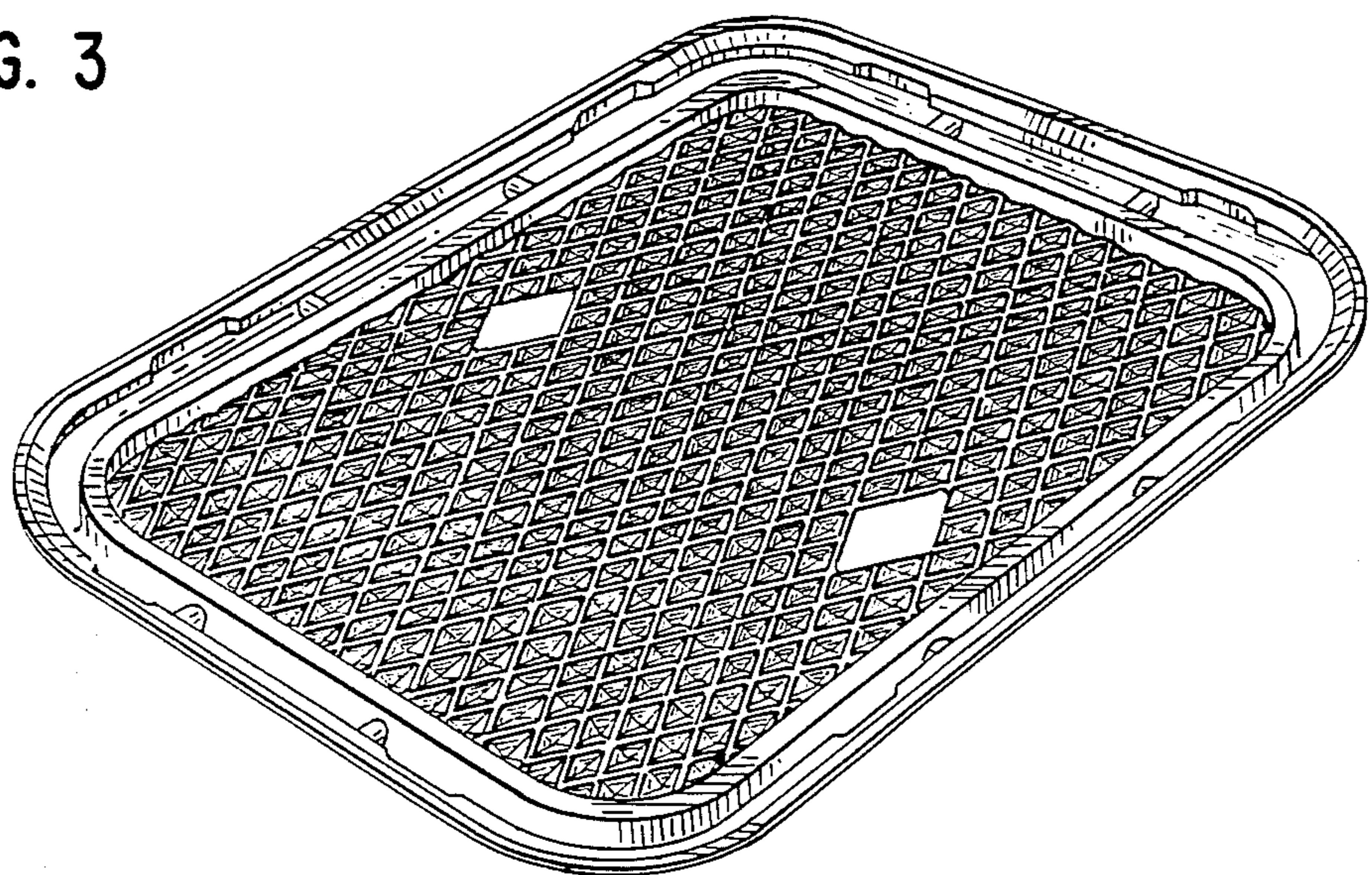


FIG. 4

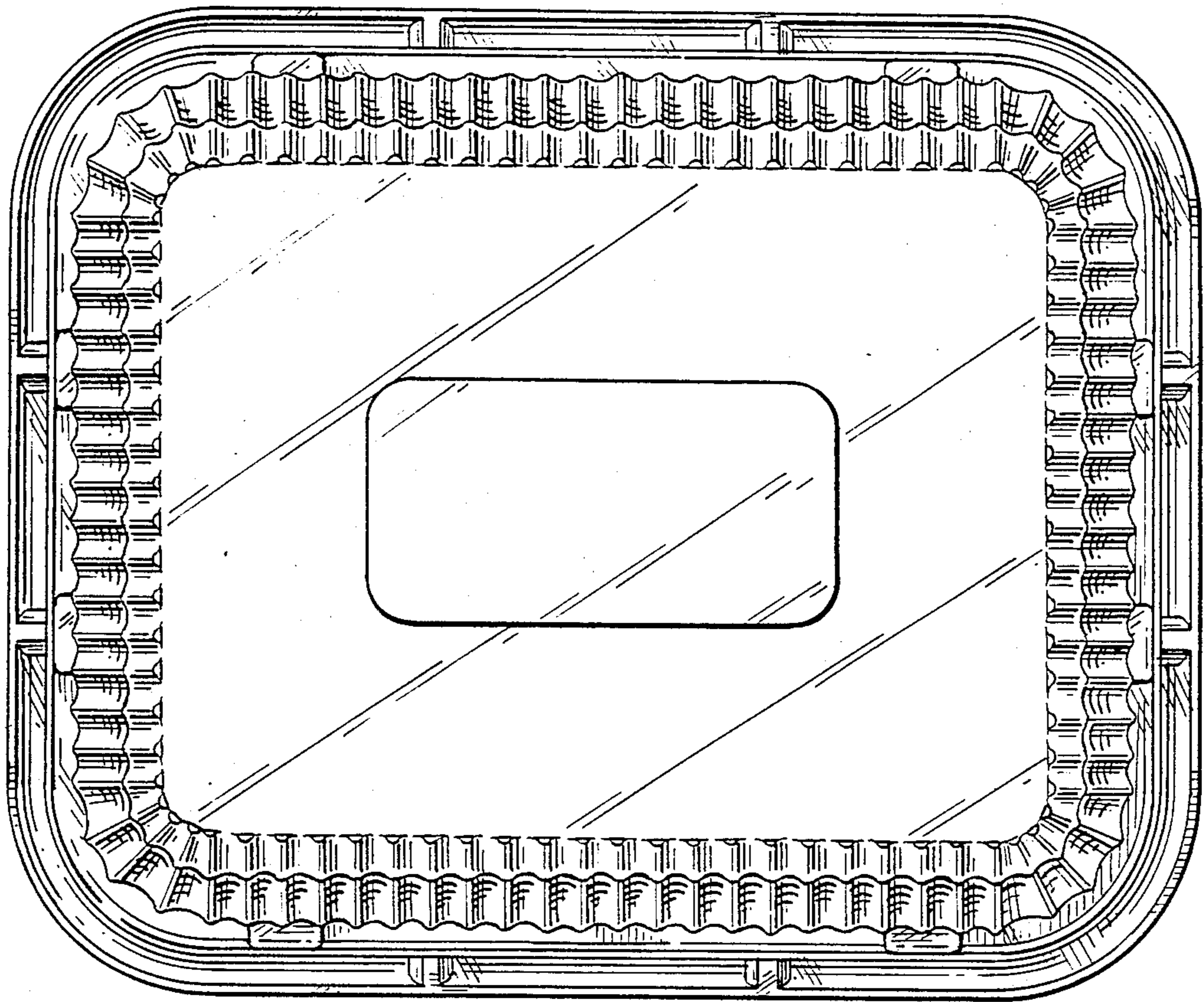


FIG. 5

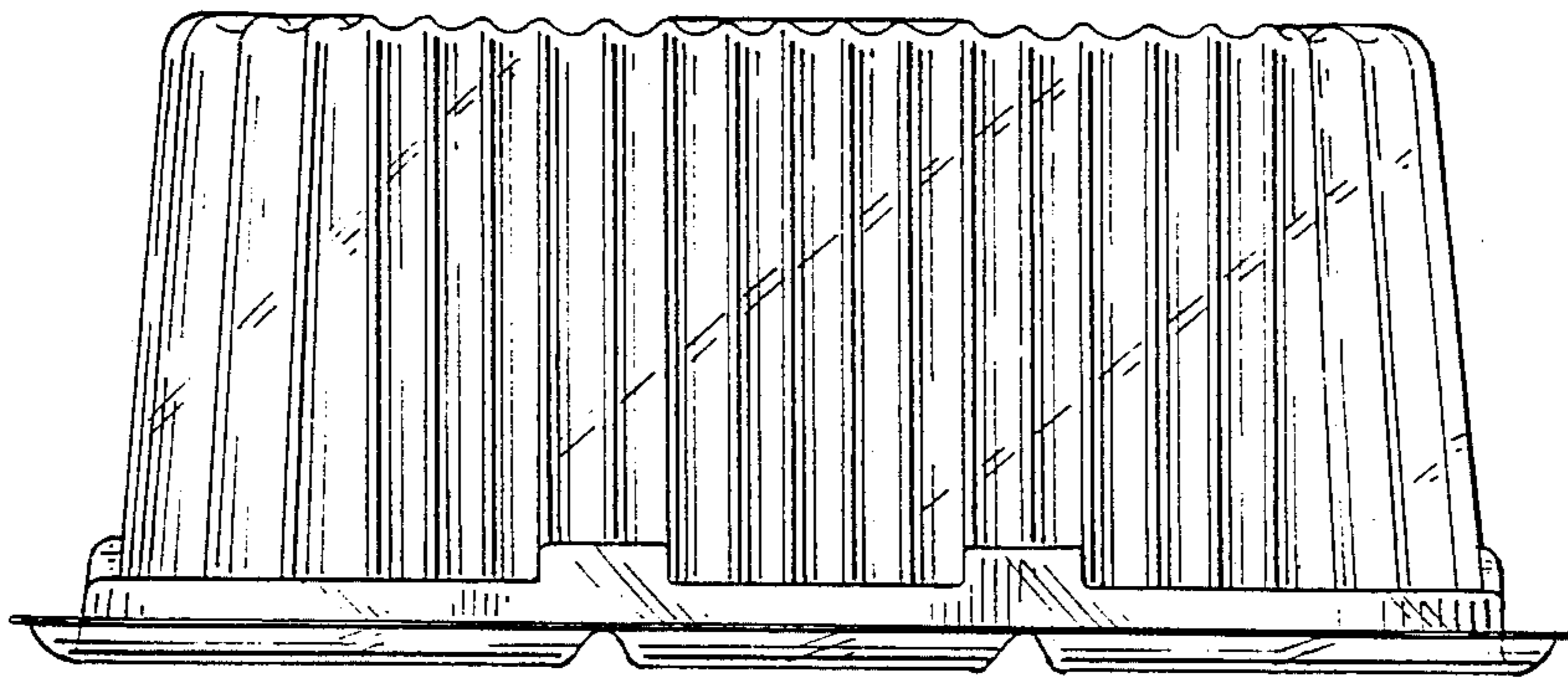


FIG. 6

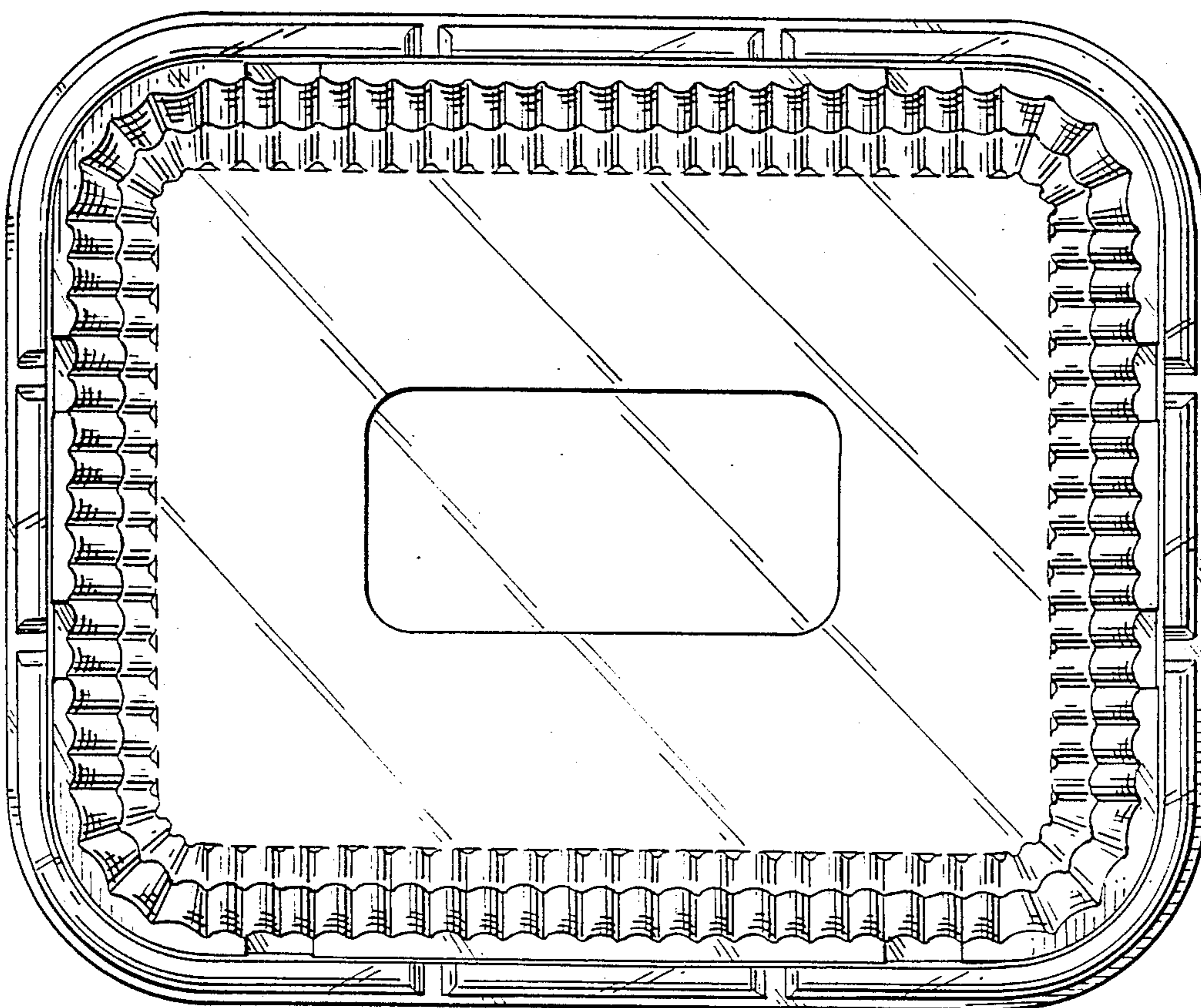
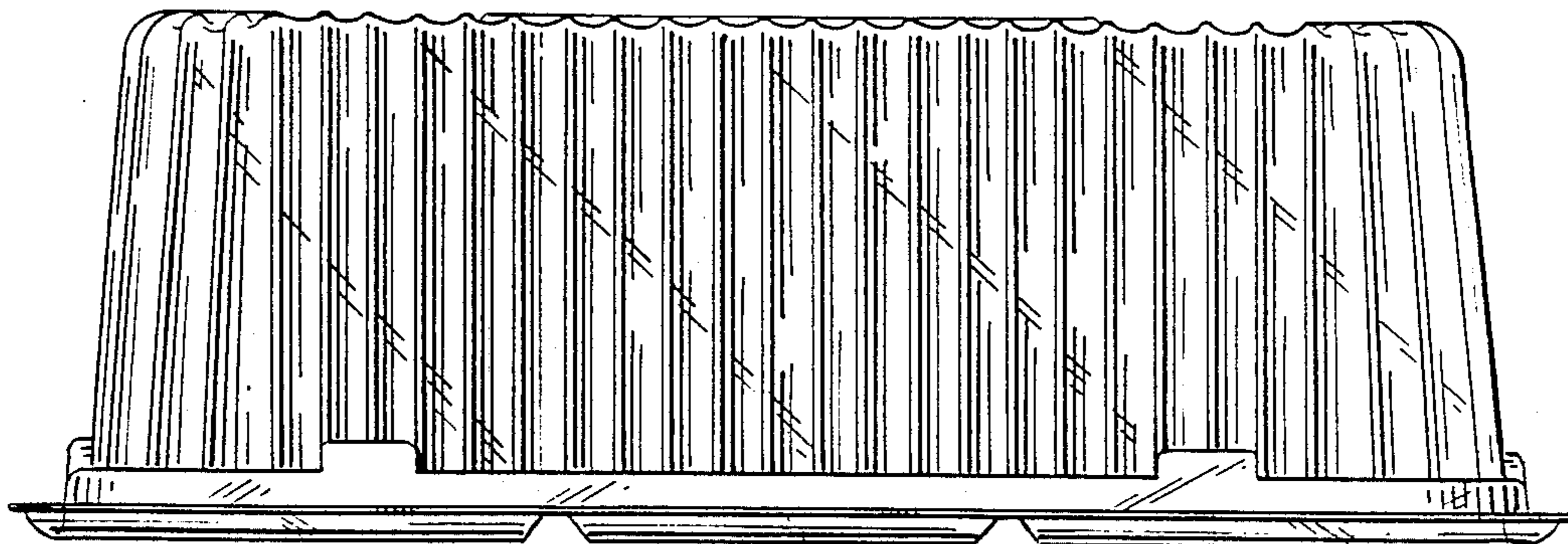


FIG. 7

FIG. 8

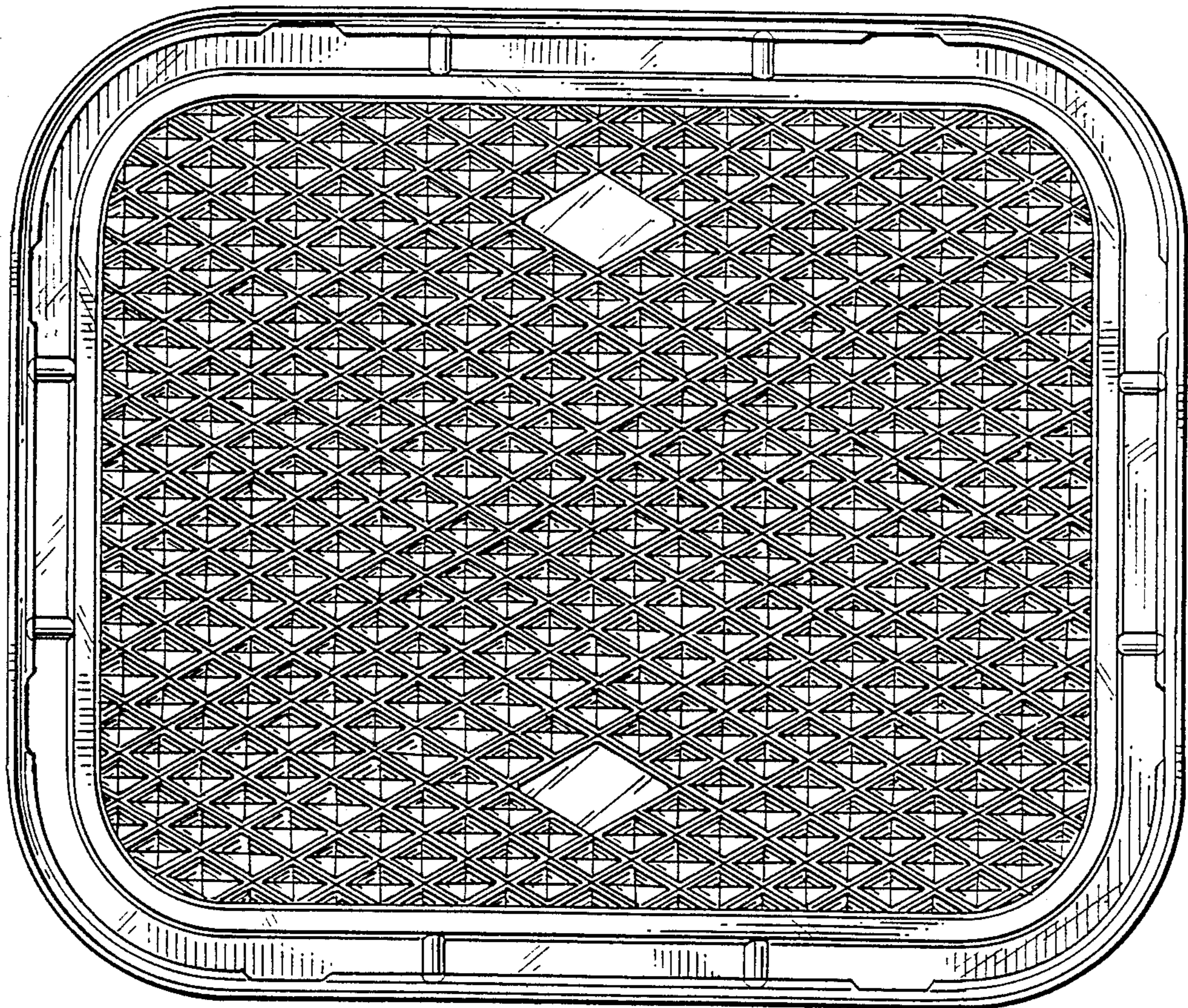


FIG. 9

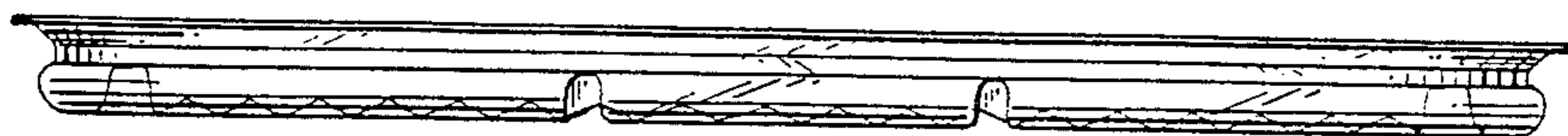


FIG. 10

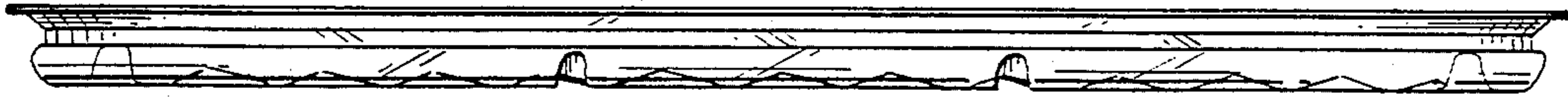


FIG. 11

