

[54] **FOOD SECTIONING APPARATUS**

[76] **Inventor: Dean Hutchinson, Redco, Inc., P.O.  
 Box 1887, 1920 Hutton St.,  
 Wilmington, Del. 19899**

[\*\*] **Term: 14 Years**

[21] **Appl. No.: 845,804**

[22] **Filed: Mar. 25, 1986**

[52] **U.S. Cl. .... D7/43**

[58] **Field of Search ..... D7/43; 30/114; 83/431,  
 83/570; 99/537, 538; 100/98**

[56] **References Cited**

**U.S. PATENT DOCUMENTS**

D. 280,690	9/1985	Bloxham	.....	D7/43
579,816	3/1897	Buchmann	.	
590,129	9/1897	Bulette	.	
608,368	8/1898	Lawson	.	
1,040,582	10/1912	Royer et al.	.	
2,302,323	11/1942	Hubbard	.....	30/114
2,560,229	7/1951	Leavens	.....	146/3
2,677,324	5/1954	Cadella	.....	100/98

3,468,355	9/1969	Hall	.....	146/78
3,554,253	1/1971	Vasile	.....	146/40
3,830,151	8/1974	Gerson	.....	99/537
4,095,518	6/1978	Jones	.....	99/538
4,436,025	3/1984	Jones	.....	99/538

**FOREIGN PATENT DOCUMENTS**

0084204 1/1982 European Pat. Off. .

*Primary Examiner*—Bernard Ansher

*Assistant Examiner*—Terry Pfeffer

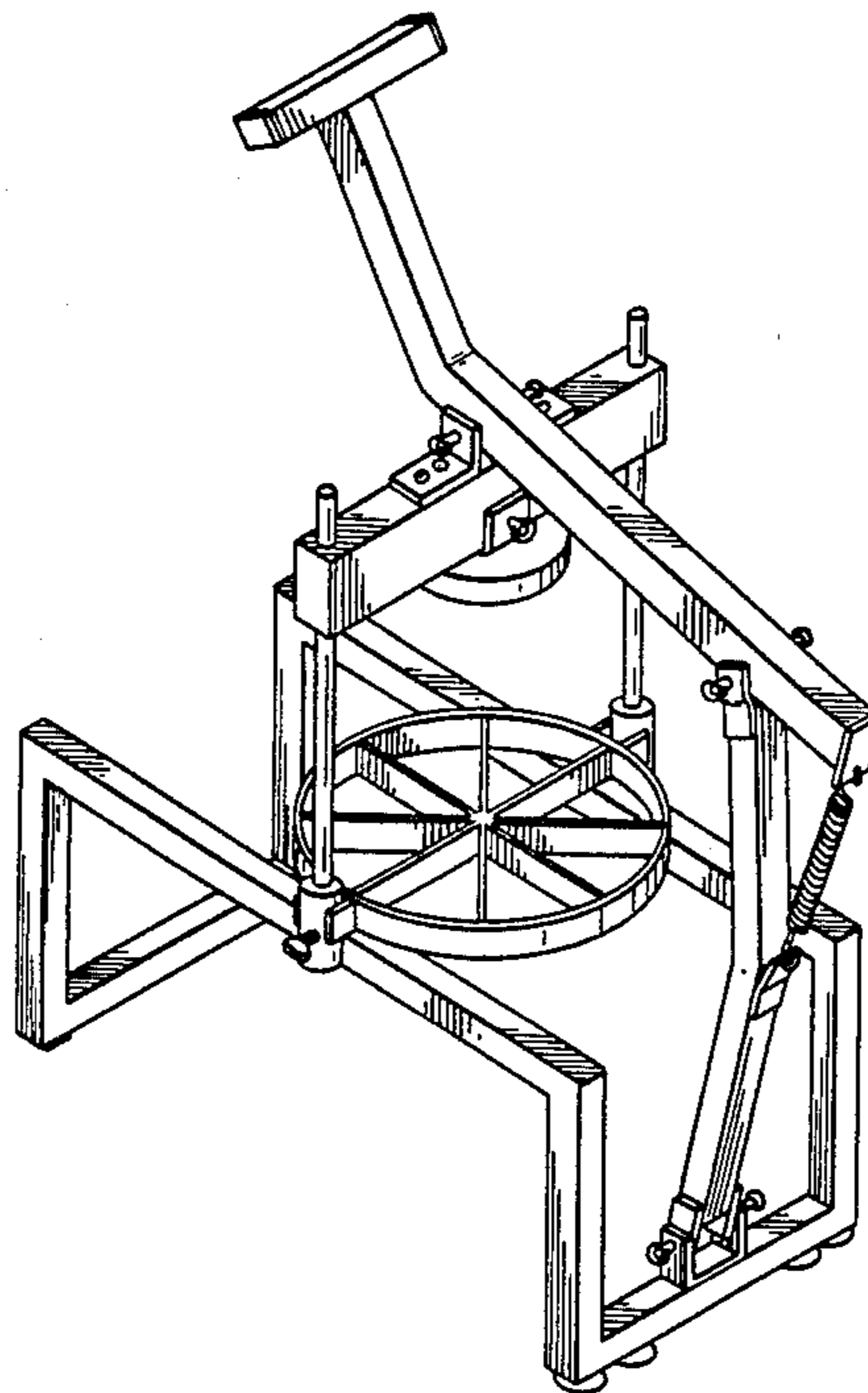
*Attorney, Agent, or Firm*—Howson & Howson

[57] **CLAIM**

The ornamental design for a food sectioning apparatus, as shown and described.

**DESCRIPTION**

FIG. 1 is a perspective view of a food sectioning apparatus embodying my new design;  
 FIG. 2 is a side elevation thereof;  
 FIG. 3 is a top plan view thereof;  
 FIG. 4 is a bottom plan view thereof;  
 FIG. 5 is a rear elevation thereof; and  
 FIG. 6 is a front elevation thereof.



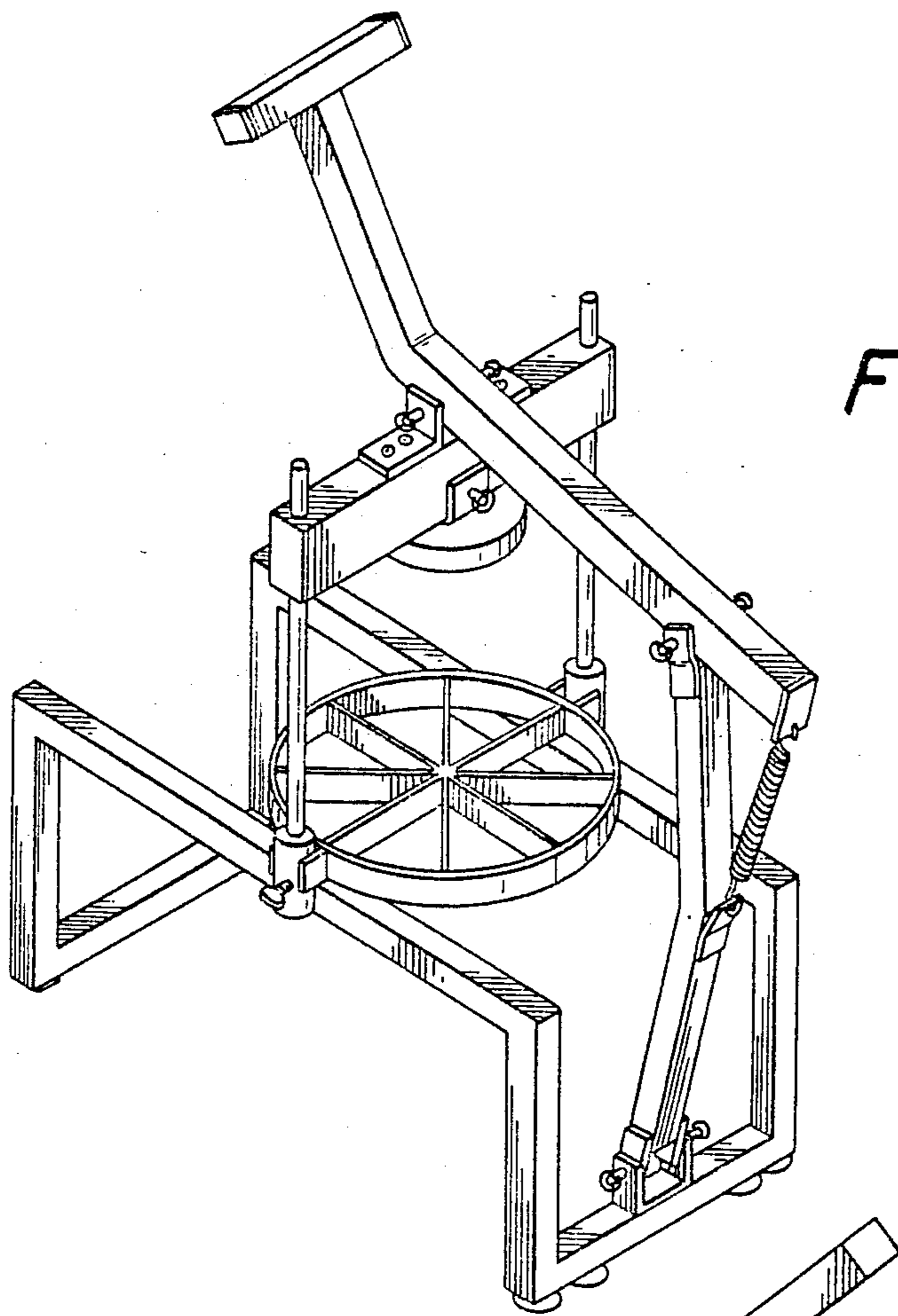


FIG. 1

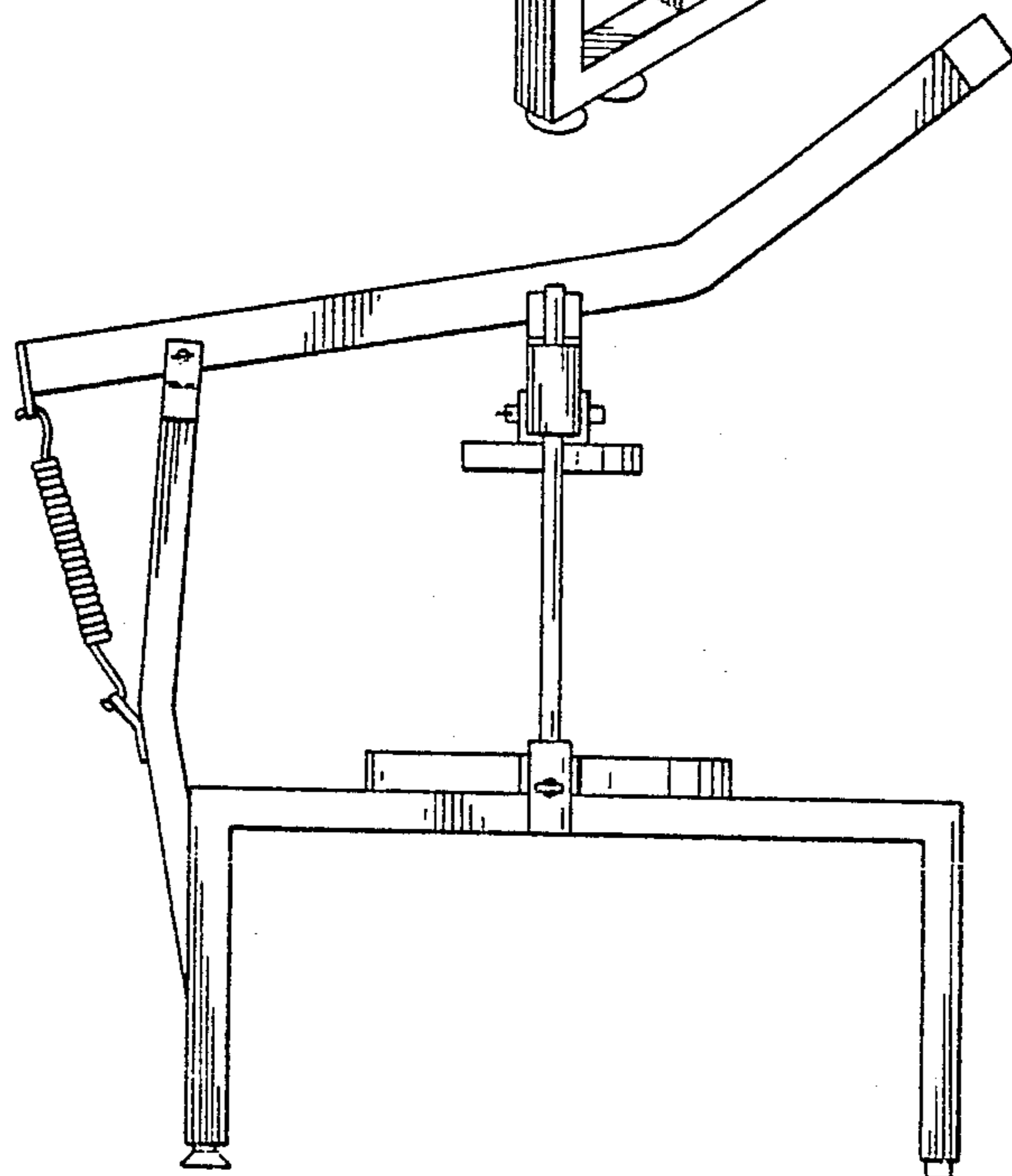


FIG. 2

FIG. 3

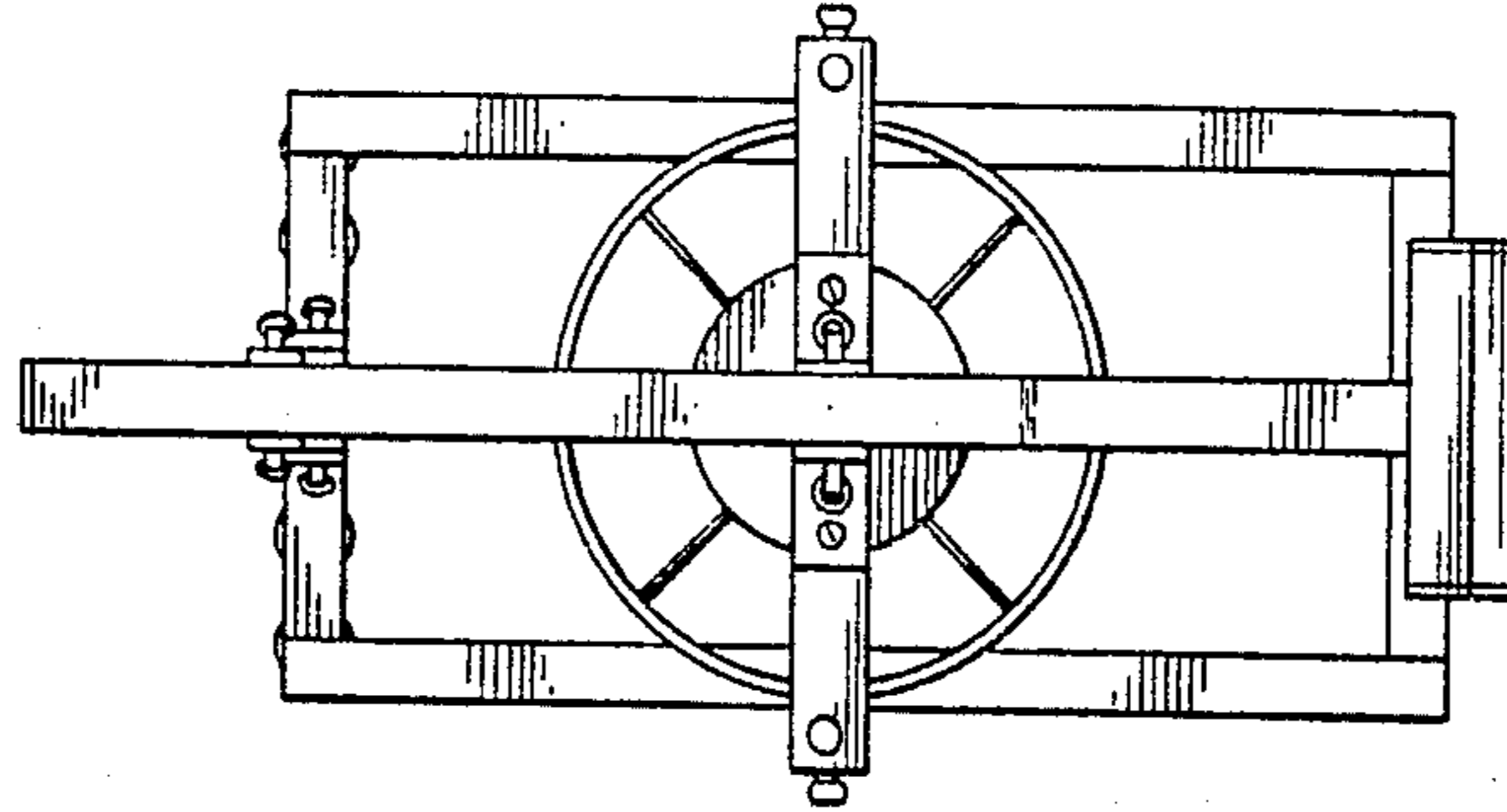


FIG. 4

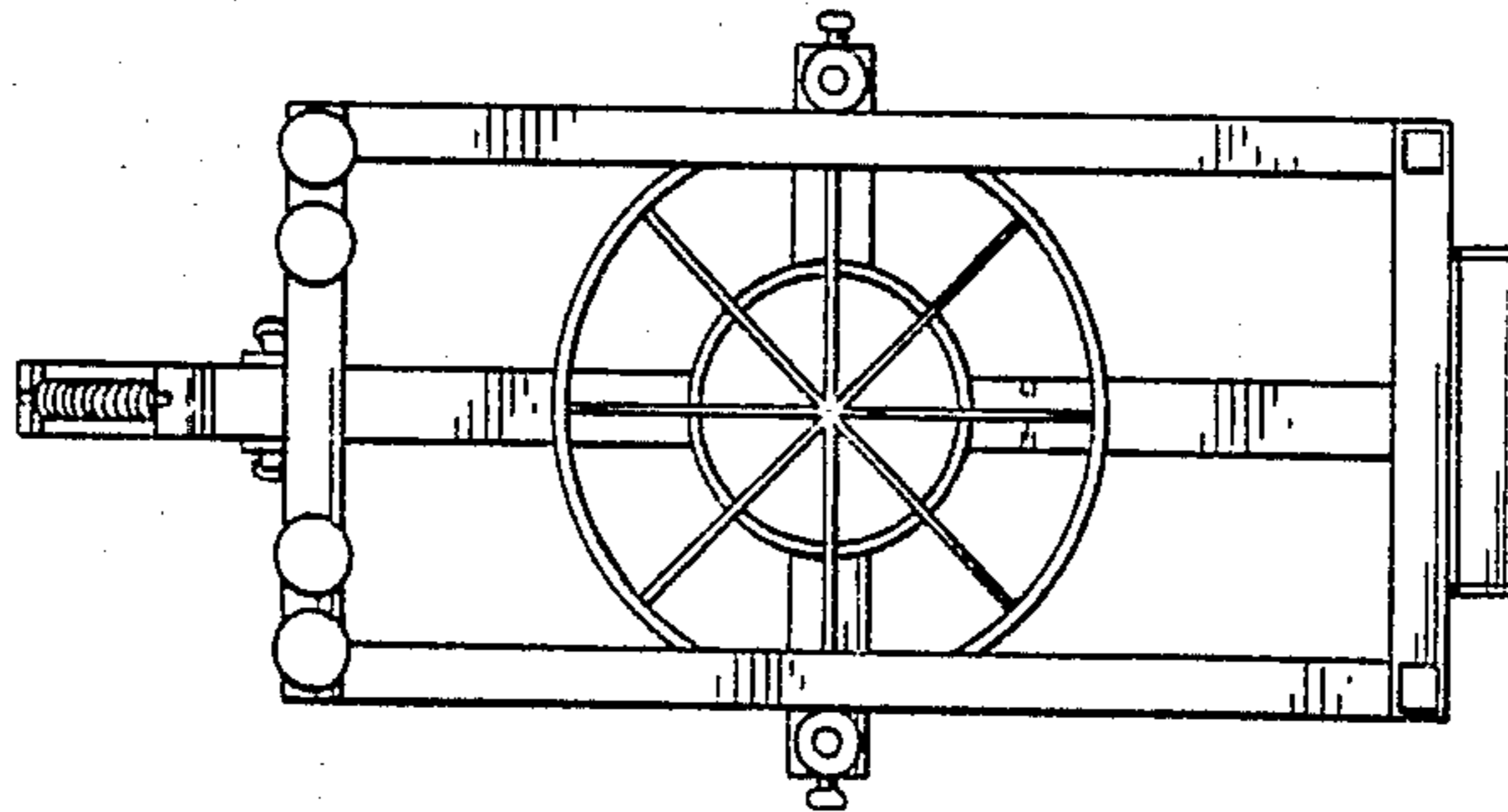


FIG. 5

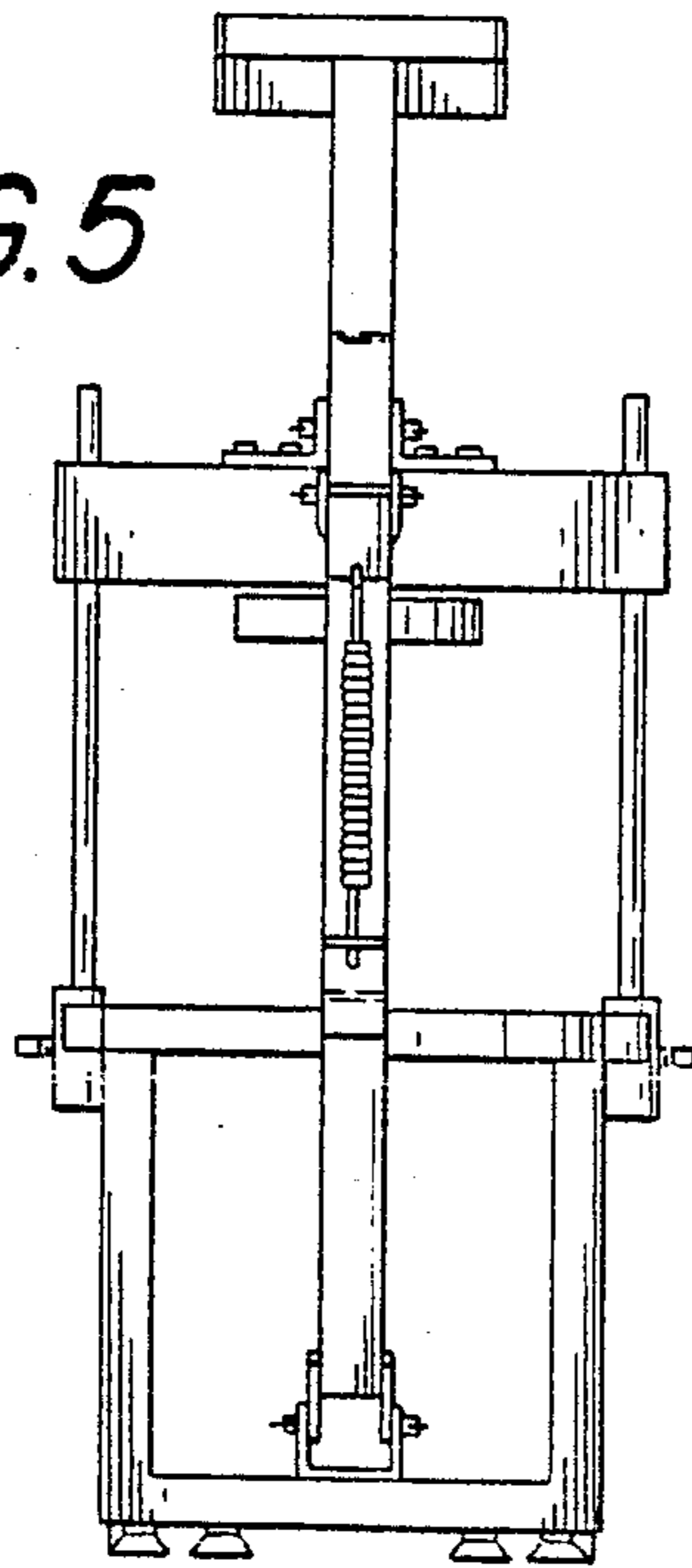


FIG. 6

