

[54] **SWIVEL CHAIR**

[75] **Inventor: Donald B. Colby, Sarasota, Fla.**

[73] **Assignee: Tropitone Furniture Company,
Sarasota, Fla.**

[**] **Term: 14 Years**

[21] **Appl. No.: 862,604**

[22] **Filed: May 9, 1986**

[52] **U.S. Cl. D6/365**

[58] **Field of Search D6/334, 364, 365, 366,
D6/367, 368; 297/441, 445**

[56] **References Cited**

U.S. PATENT DOCUMENTS

D. 289,235 4/1987 Heyl D6/365
D. 290,321 6/1987 Vogtherr D6/500
D. 295,924 5/1988 Raney D6/365

OTHER PUBLICATIONS

Ekornes Catalog, 1983, p. 4, Chair top right.

Primary Examiner—Bruce W. Dunkins
Attorney, Agent, or Firm—Mason, Fenwick & Lawrence

[57] **CLAIM**

The ornamental design for a swivel chair, as shown and described.

DESCRIPTION

FIG. 1 is a perspective view of a swivel chair embodying my new and ornamental design;

FIG. 2 is front elevation view thereof on an enlarged scale;

FIG. 3 is a side elevation view thereof on an enlarged scale;

FIG. 4 is a top plan view thereof on an enlarged scale;

FIG. 5 is a rear elevation view thereof on an enlarged scale; and

FIG. 6 is a bottom plan view thereof on an enlarged scale.

The side of the chair not shown is a mirror image of the side shown in FIG. 3.

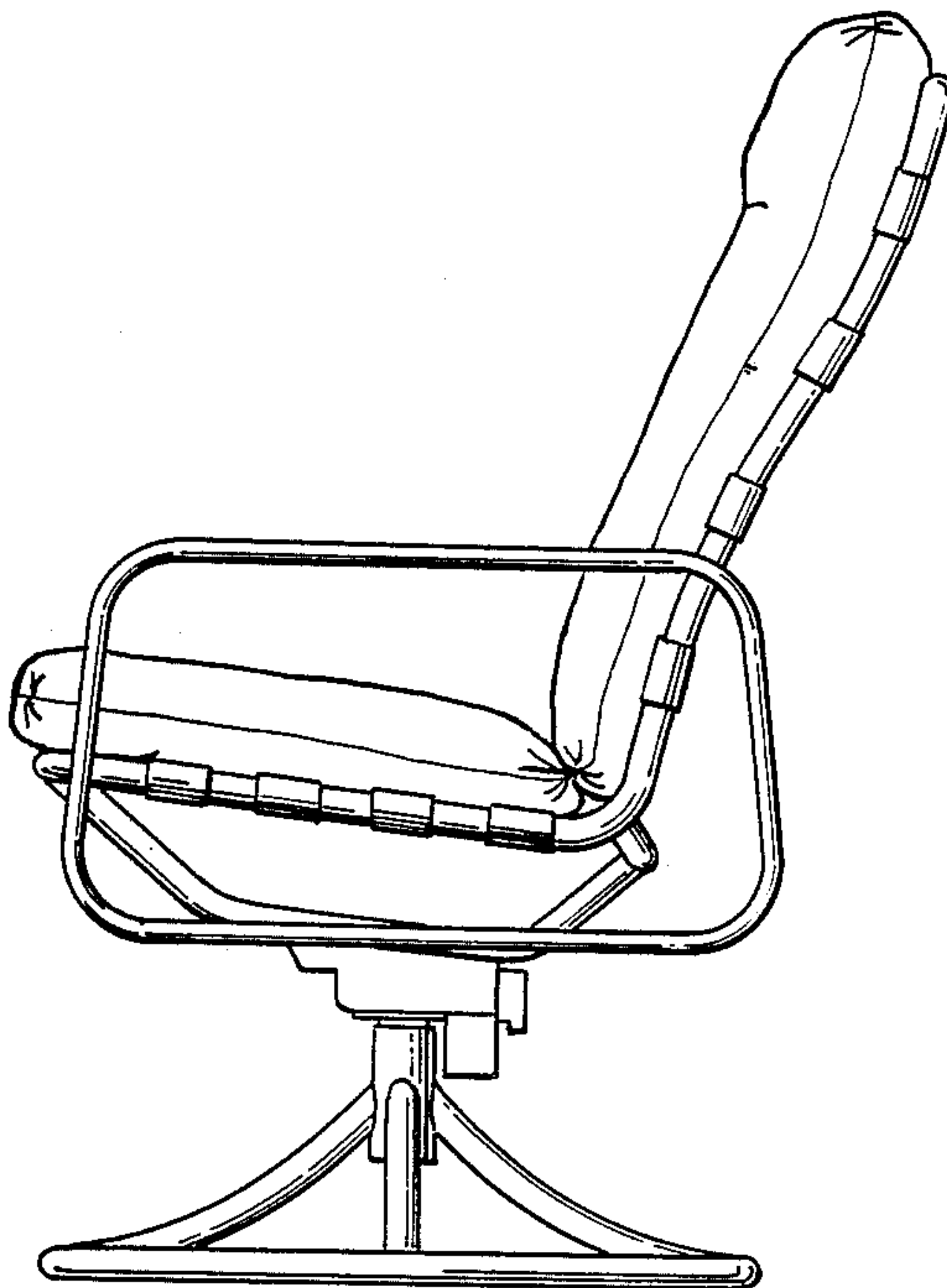


FIG-1

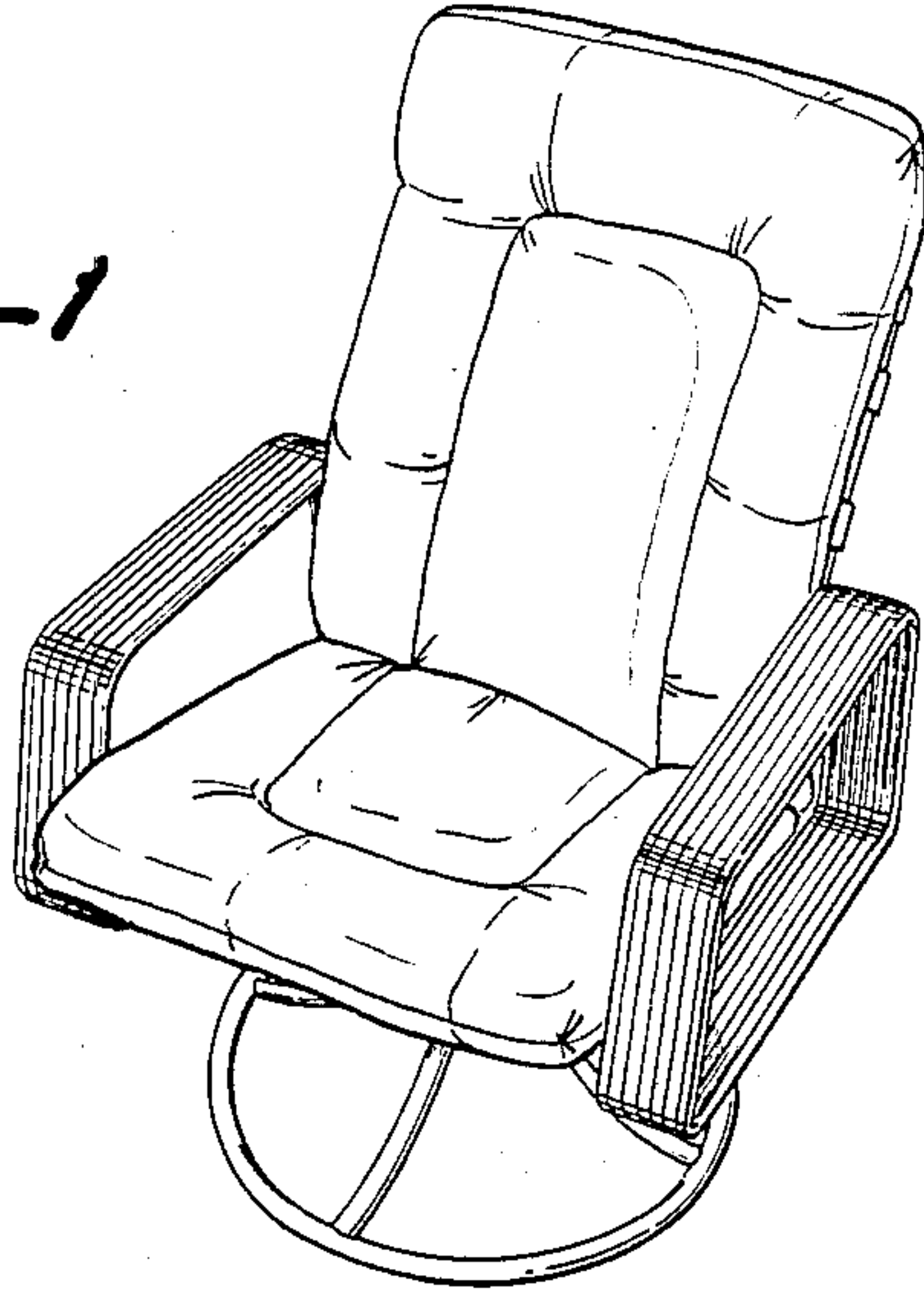


FIG-2

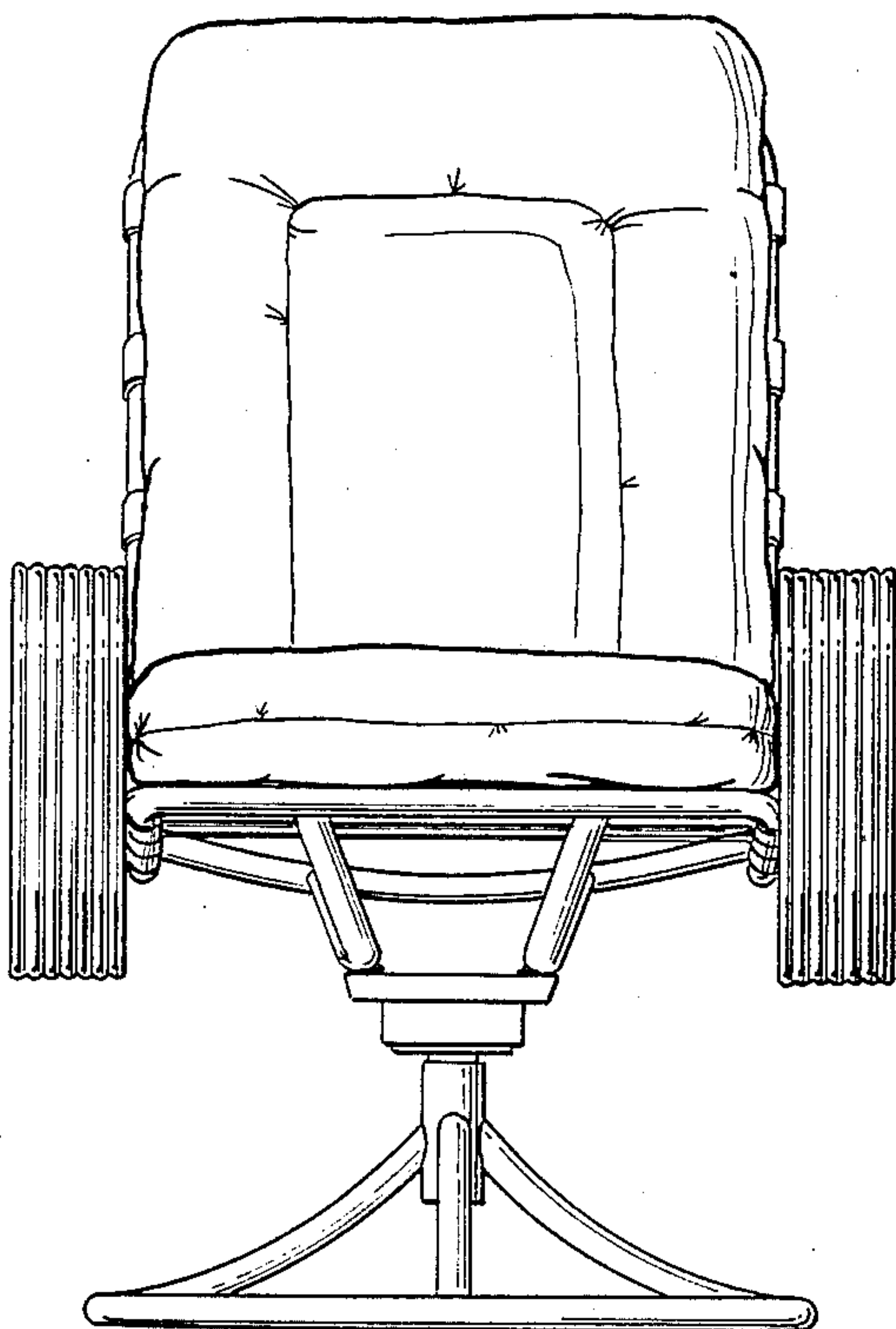


FIG-3

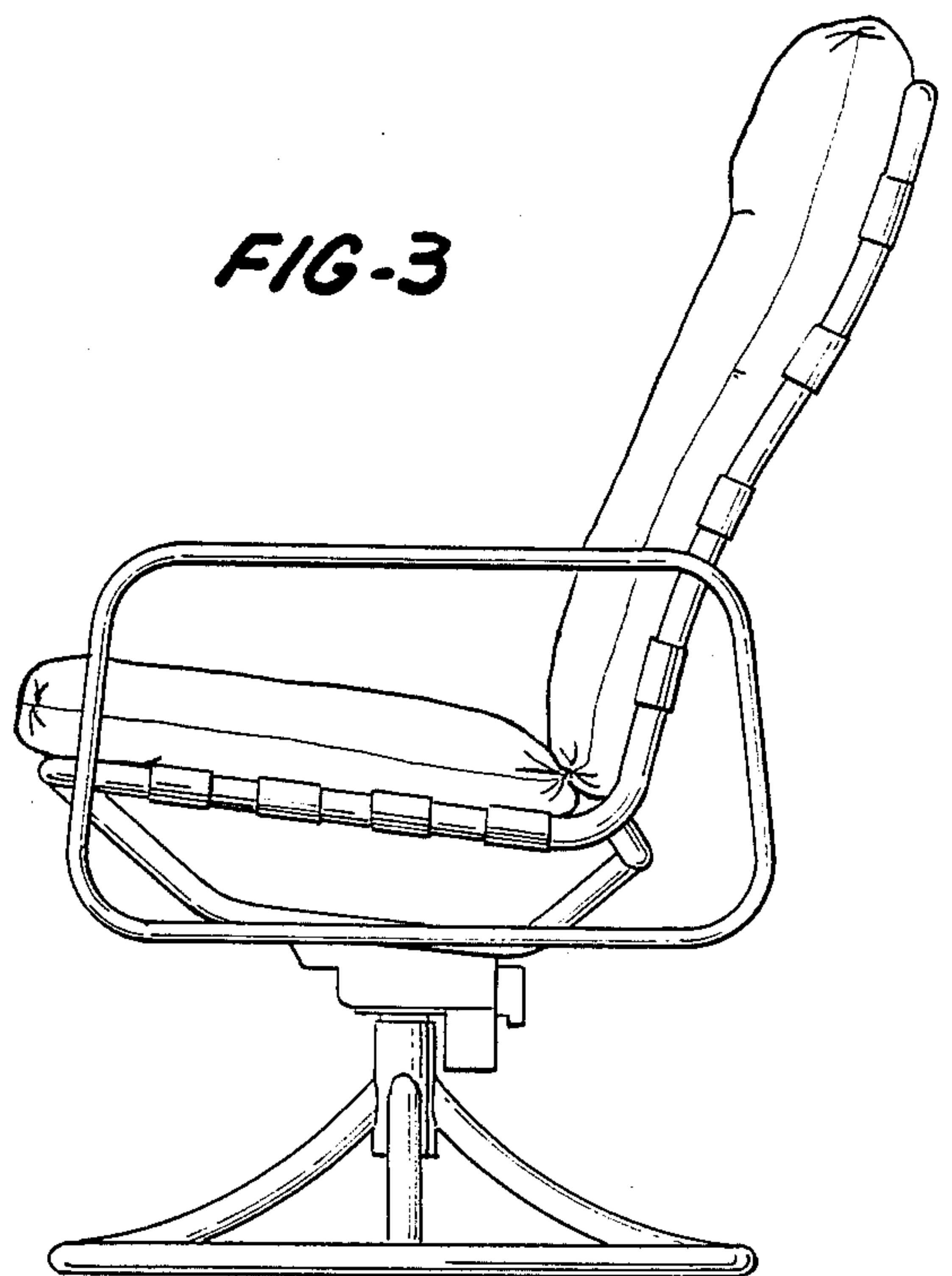


FIG-5

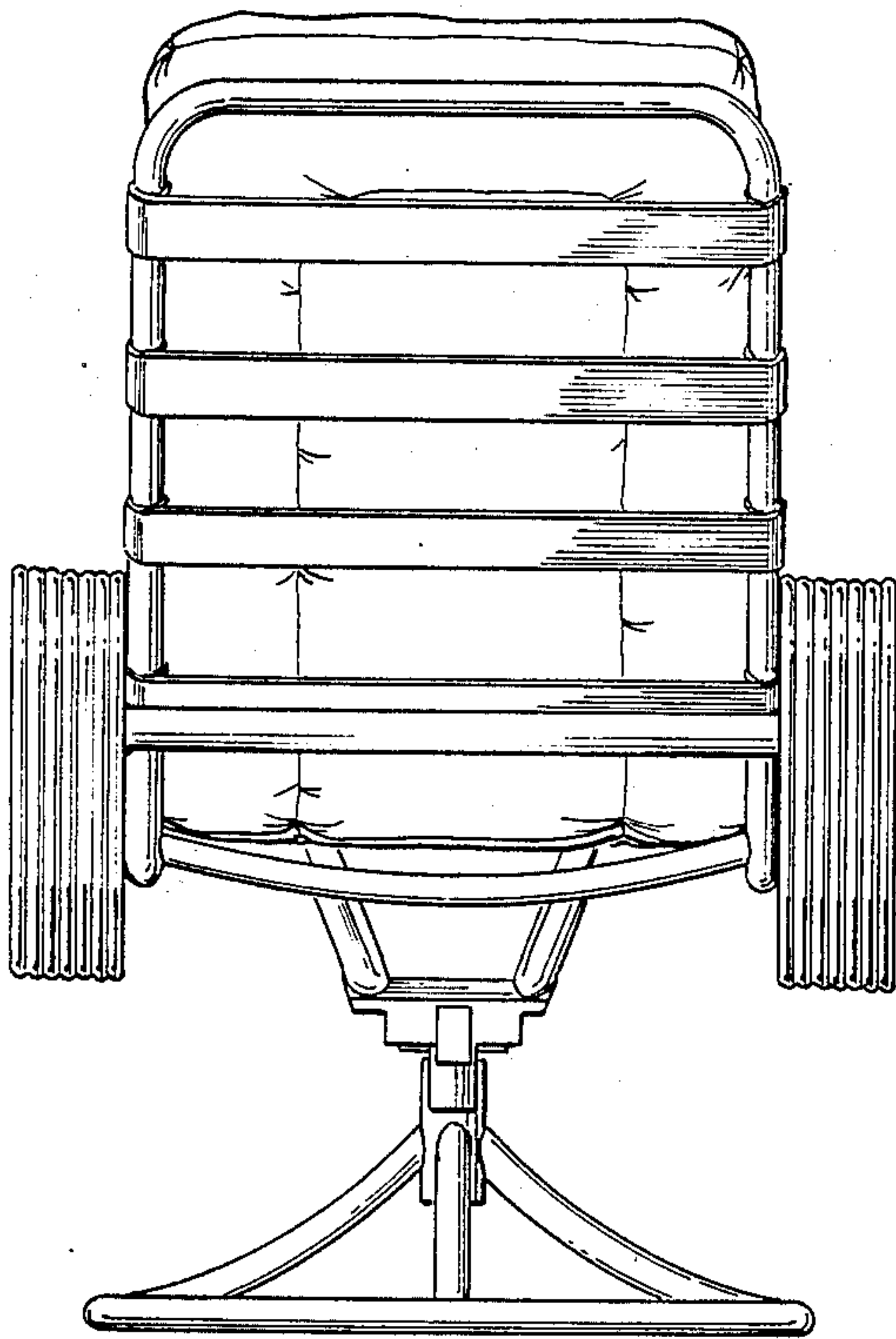


FIG-4

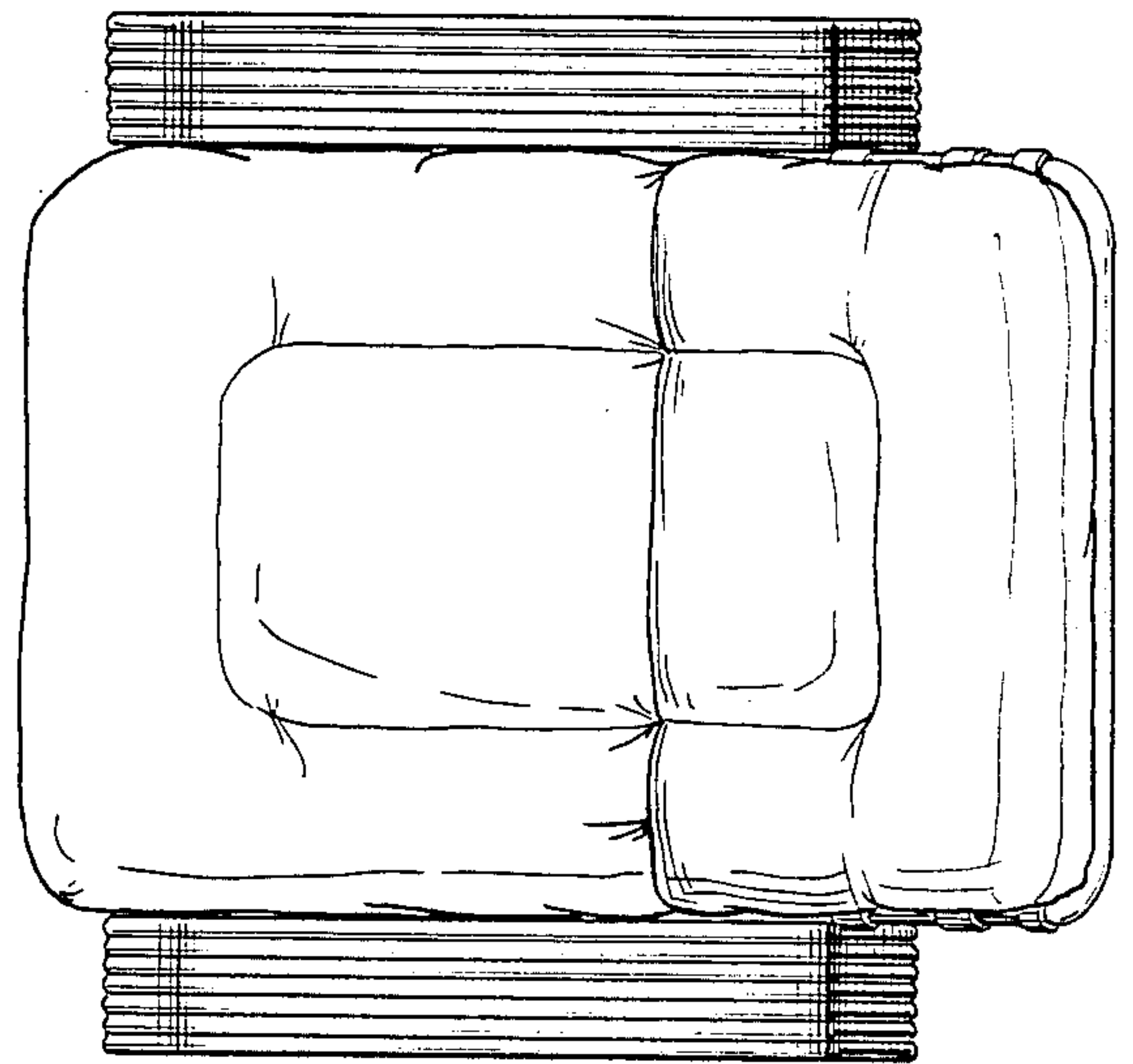


FIG-6

