

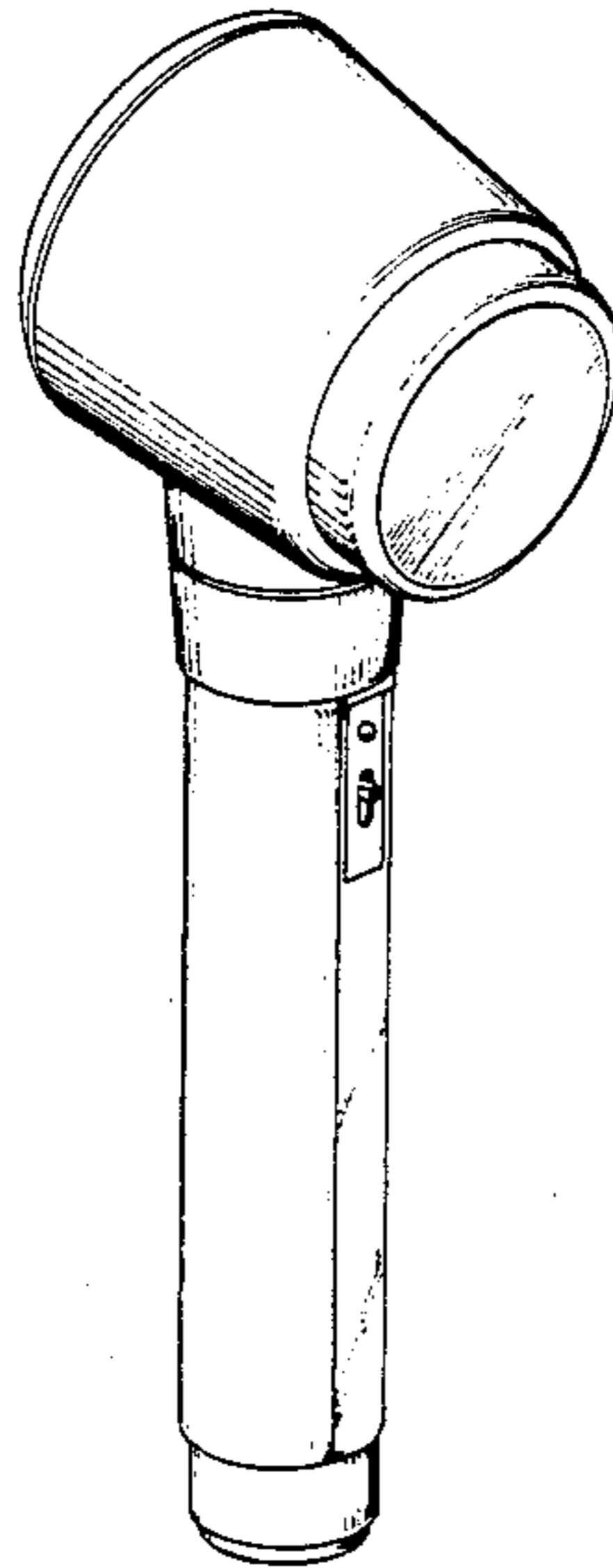
- [54] **COMBINED HOT COMPRESS ACUPRESSOR AND MASSAGER**
- [76] **Inventor: Sun S. Lee, 1st Fl., No. 28, Lane 360, Tun Hua S. Road, Taipei, Taiwan**
- [\*\*] **Term: 14 Years**
- [21] **Appl. No.: 860,494**
- [22] **Filed: May 7, 1986**
- [52] **U.S. Cl. .... D24/41; D24/40**
- [58] **Field of Search ..... D24/41, 40, 36, 42; 128/24.1, 24.2-24.5, 44, 60, 62 R, 67, 395-397, 804**

- [56] **References Cited**  
**U.S. PATENT DOCUMENTS**  
D. 265,247 6/1982 MacGregor ..... D24/41  
D. 266,532 10/1982 Grube ..... D24/36 X  
4,427,001 1/1984 Kiefer et al. .... 128/24.4  
4,632,095 12/1986 Libin ..... 128/60 X

*Primary Examiner*—Wallace R. Burke  
*Assistant Examiner*—Stella M. Reid  
*Attorney, Agent, or Firm*—Lowe, Price, LeBlanc, Becker & Shur

[57] **CLAIM**  
The ornamental design for a combined magnetic hot-compress acupressor and massager, as shown and described.

**DESCRIPTION**  
FIG. 1 is a perspective view of a combined magnetic hot compress acupressor and massager, showing my new design;  
FIG. 2 is a top plan view thereof;  
FIG. 3 is a bottom plan view thereof;  
FIG. 4 is a left side elevational view thereof;  
FIG. 5 is a right side elevational view thereof;  
FIG. 6 is a front elevational view thereof;  
FIG. 7 is a rear elevational view thereof.



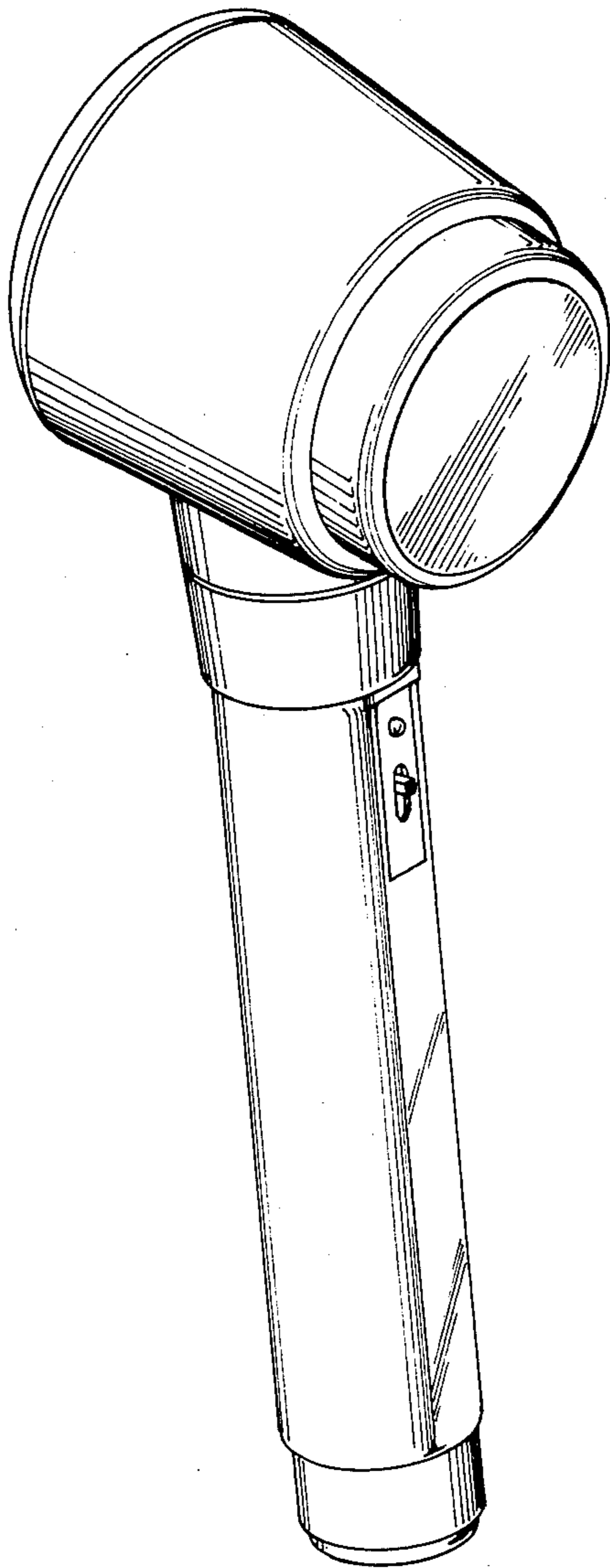


FIG. 1

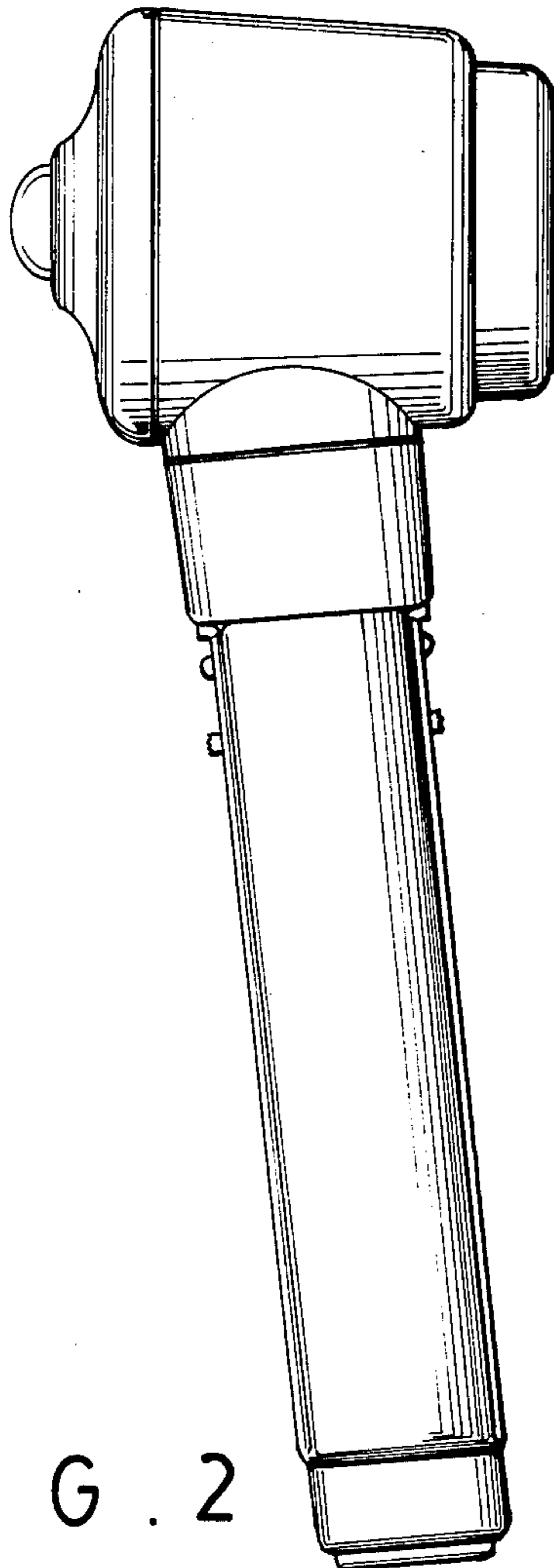


FIG. 2

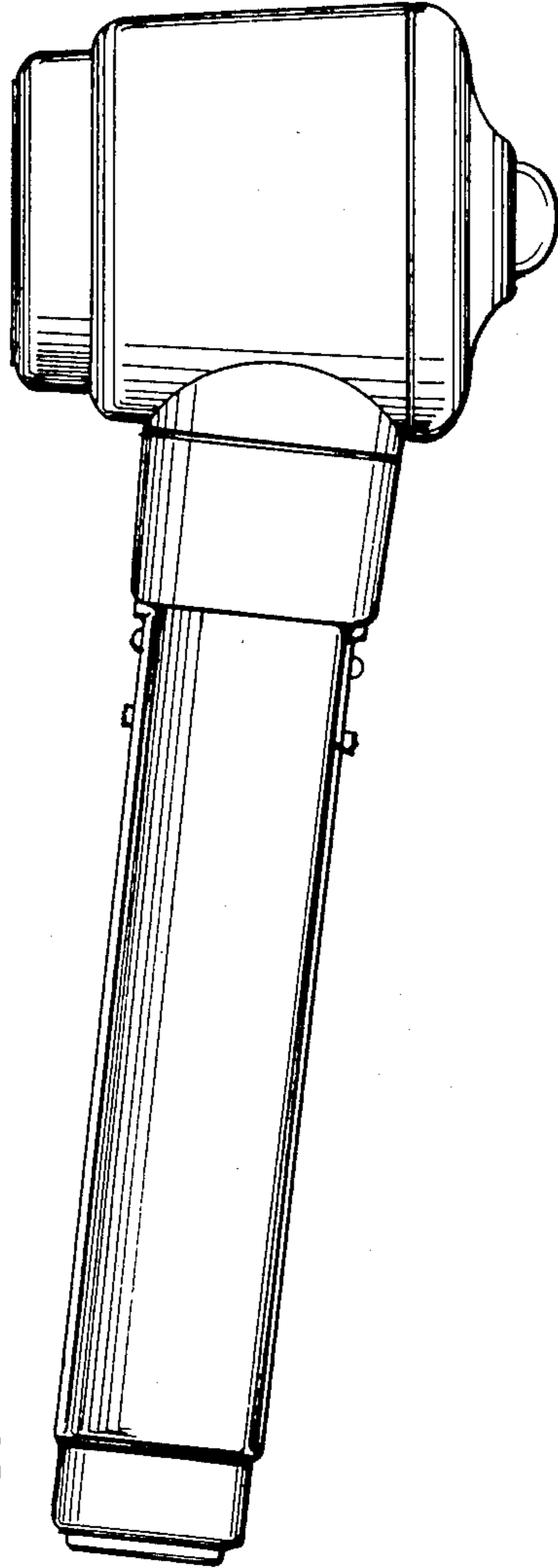


FIG. 3

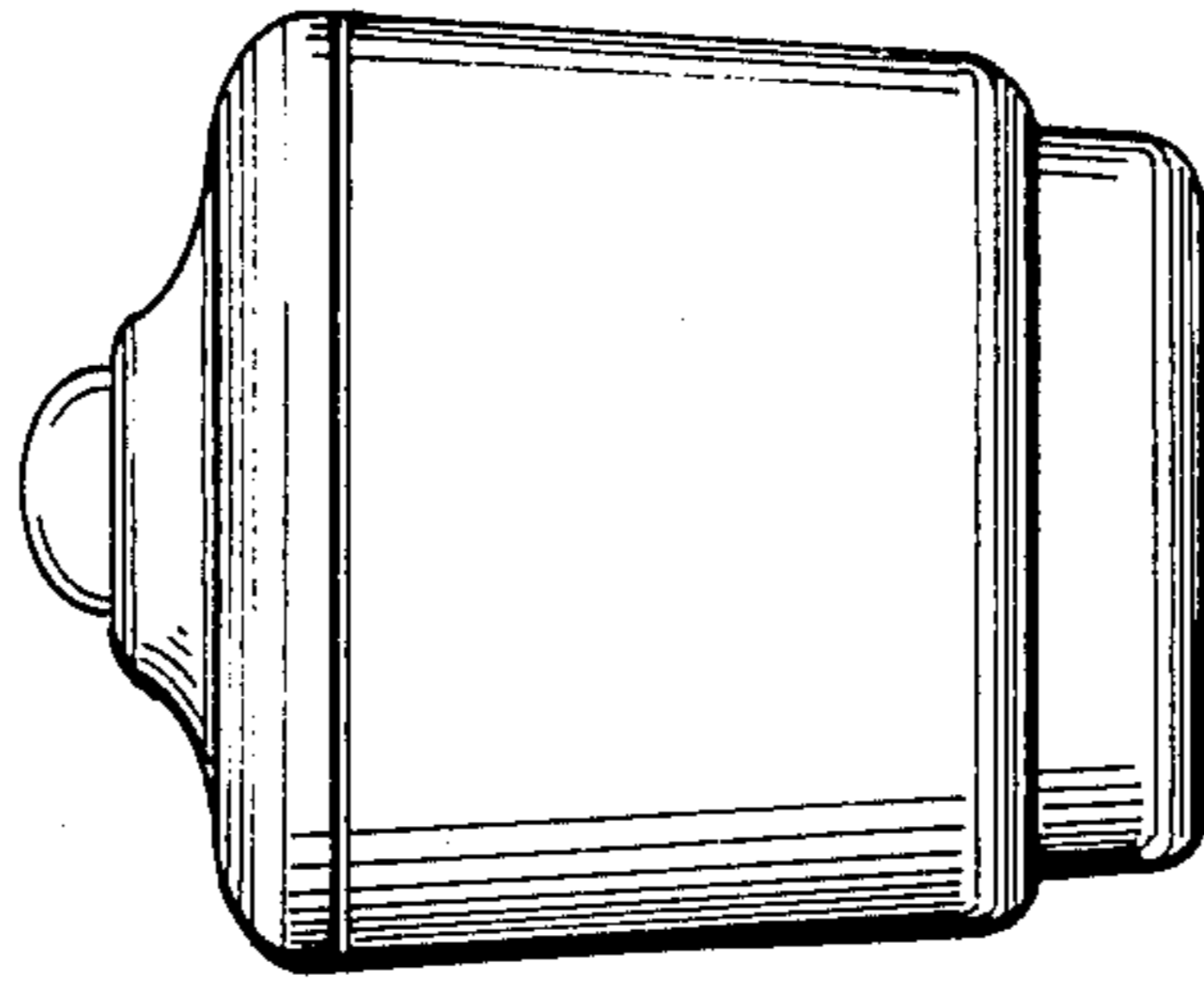


FIG. 4

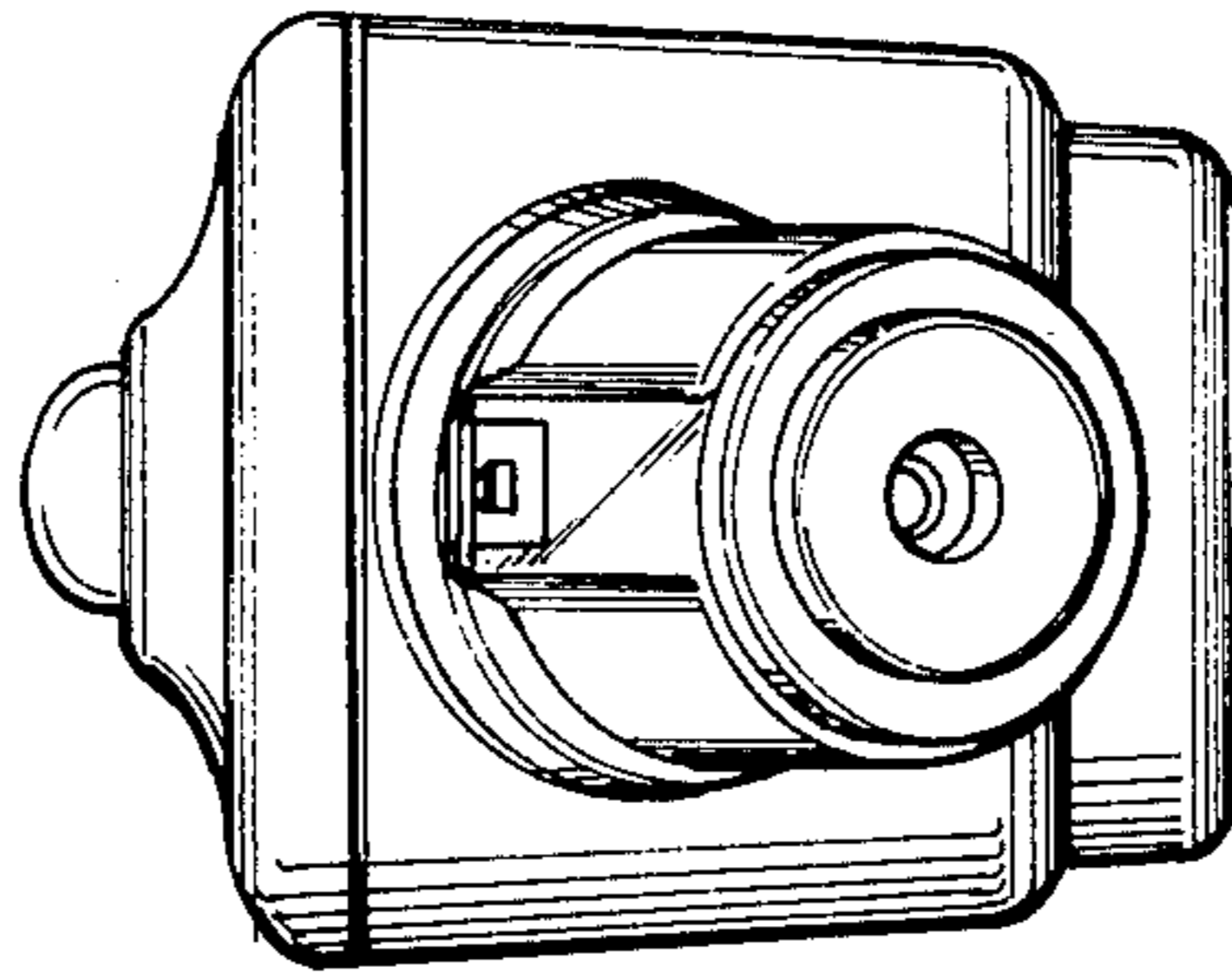


FIG. 5

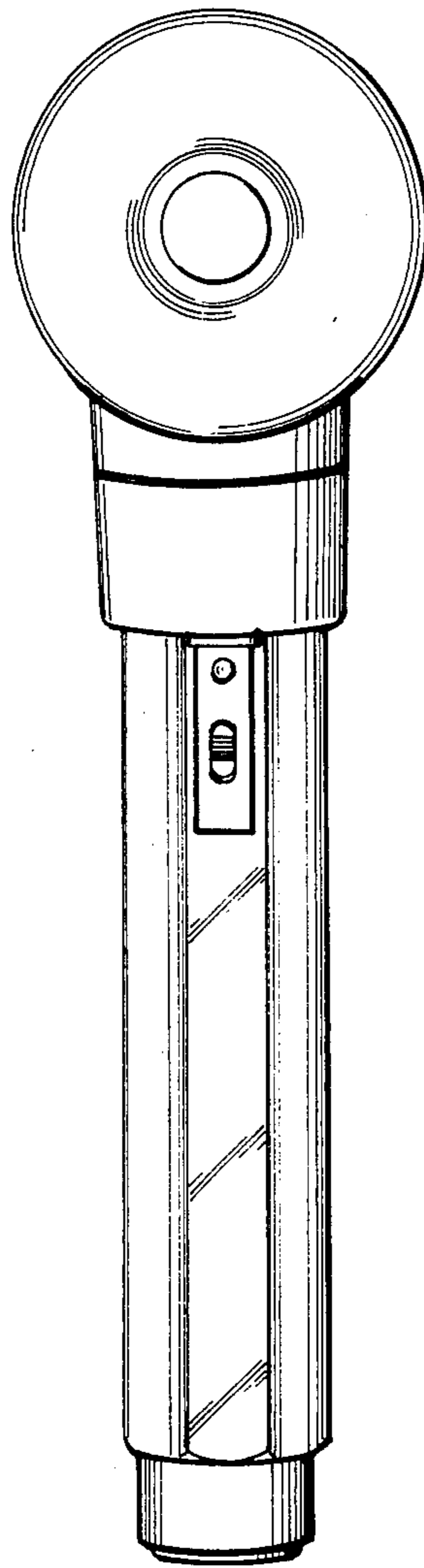


FIG. 6

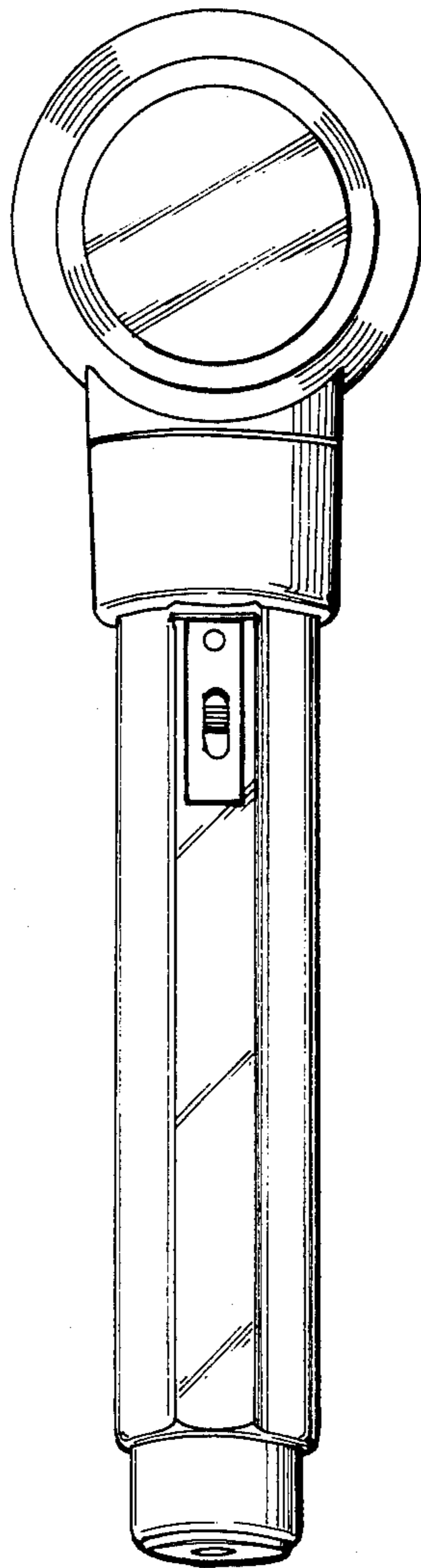


FIG. 7