

[54] TOY TILT-BED TRAILER

[76] Inventor: Kenneth E. Pearson, 1326 Duck Rd., Grandview, Mo. 64030

[\*\*] Term: 14 Years

[21] Appl. No.: 771,116

[22] Filed: Aug. 30, 1985

[52] U.S. Cl. .... D21/141

[58] Field of Search ..... D12/101, 105; D21/134, D21/128, 141; 296/181, 182; 280/423 R; 446/448, 451, 465, 470

[56] References Cited

U.S. PATENT DOCUMENTS

- D. 135,159 3/1943 Parke ..... D21/76
- D. 218,883 10/1970 Mason ..... D12/101
- D. 219,964 2/1971 Ransom ..... D12/101
- D. 245,495 8/1977 Henderson ..... D12/101

- D. 247,004 1/1978 Kyte ..... D21/76
- D. 263,238 3/1982 Lazzeroni ..... D12/101
- D. 266,100 9/1982 Miller ..... D21/76

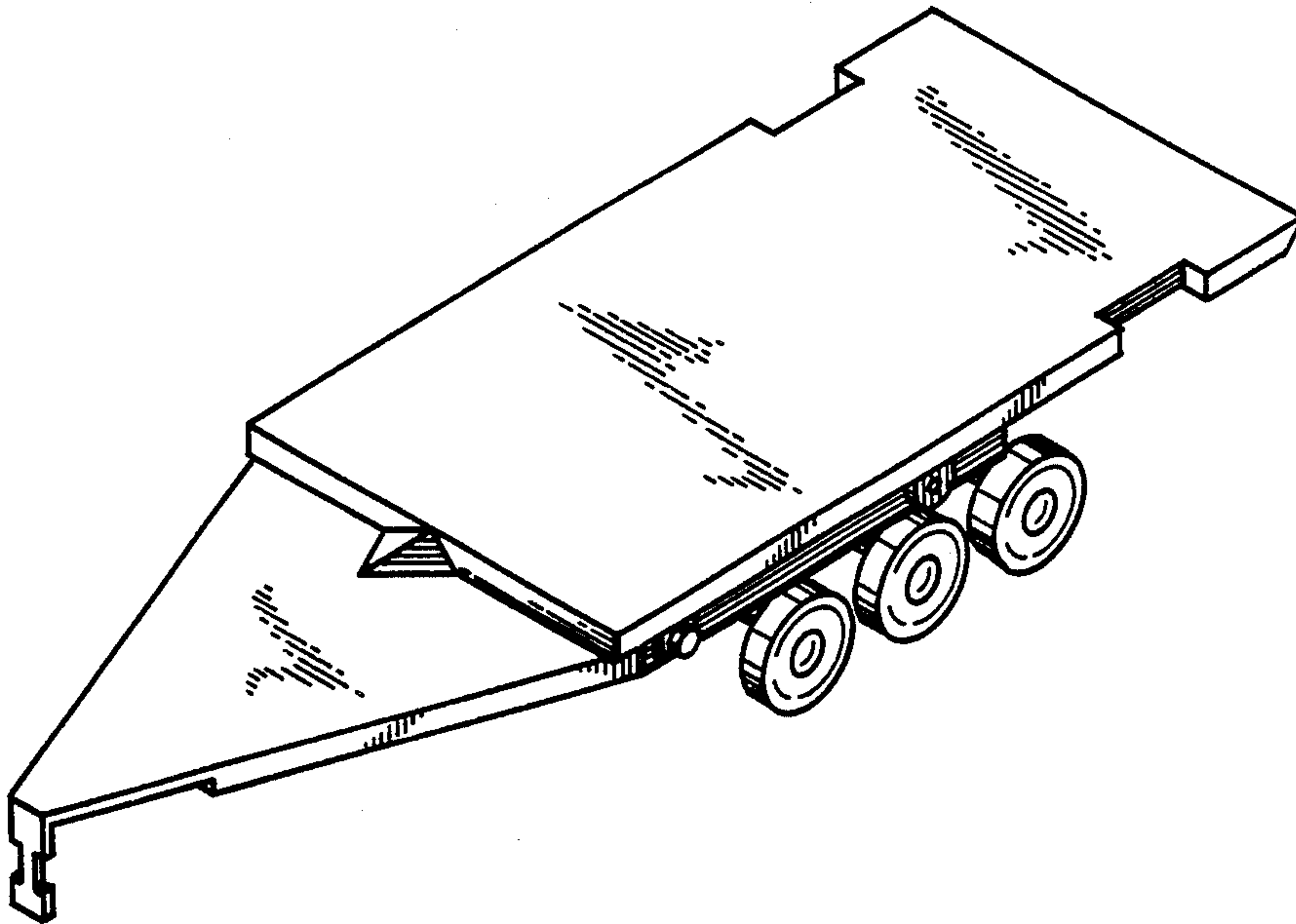
Primary Examiner—Charles A. Rademaker  
Attorney, Agent, or Firm—W. C. Tupman

[57] CLAIM

The ornamental design for a toy tilt-bed trailer, as shown and described.

DESCRIPTION

FIG. 1 is a side elevational view of a toy tilt-bed trailer, showing my new design;  
 FIG. 2 is a top plan view thereof;  
 FIG. 3 is a bottom plan view thereof;  
 FIG. 4 is a rear elevational view thereof;  
 FIG. 5 is a front elevational view thereof; and,  
 FIG. 6 is a top perspective view thereof; and,  
 FIG. 7 is another side elevational view thereof, showing the design in an alternate position.



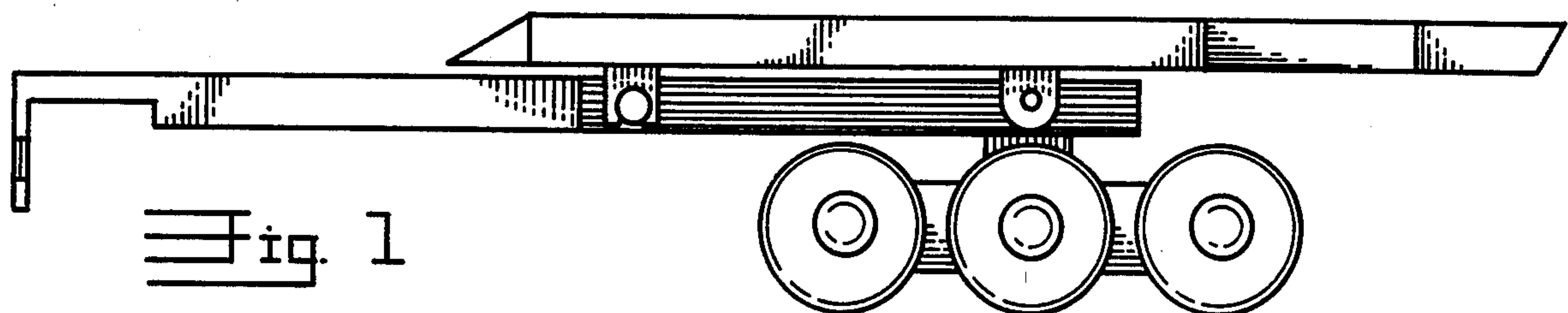


Fig. 1

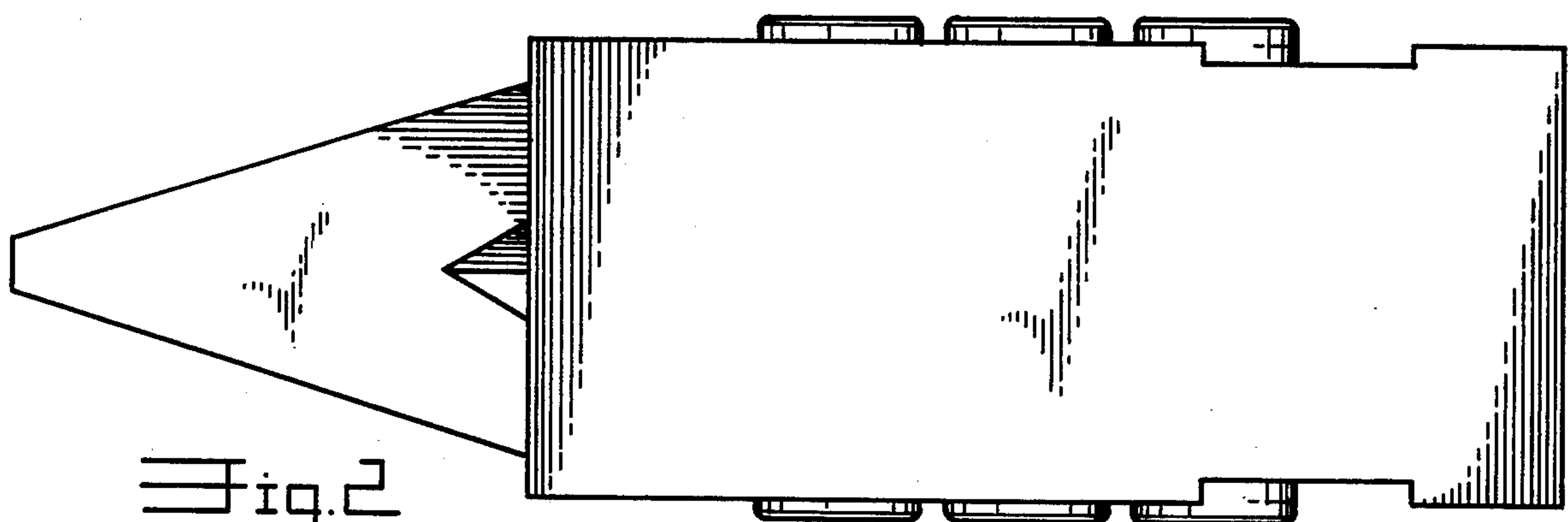


Fig. 2

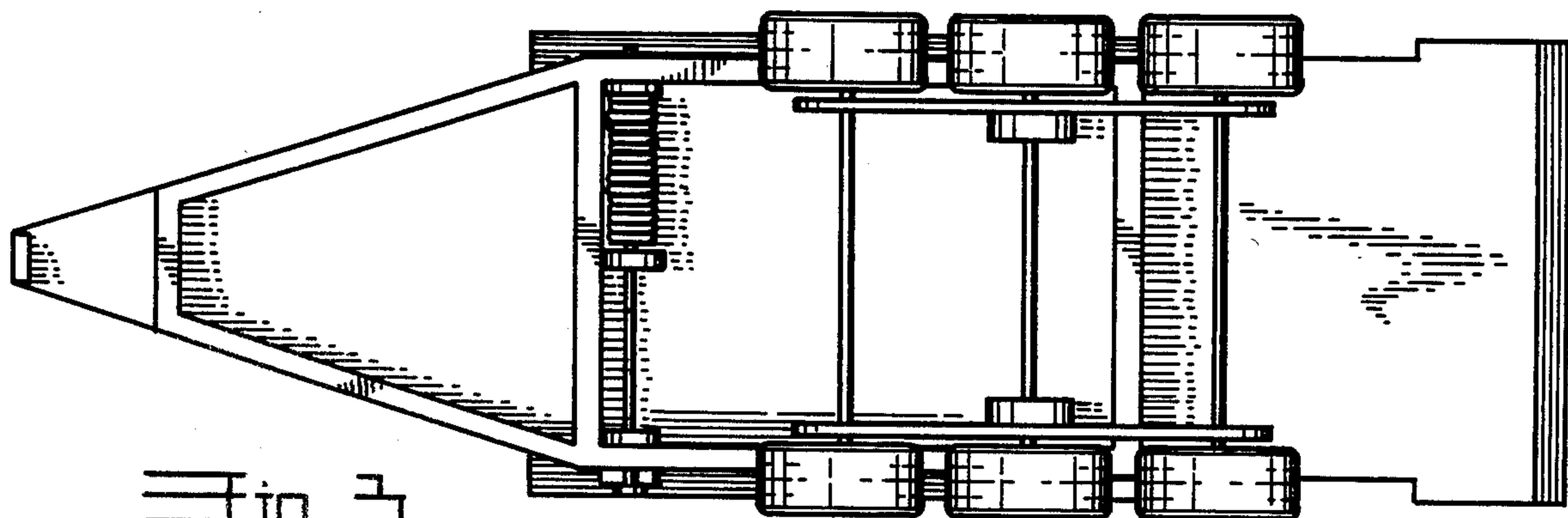


Fig. 3

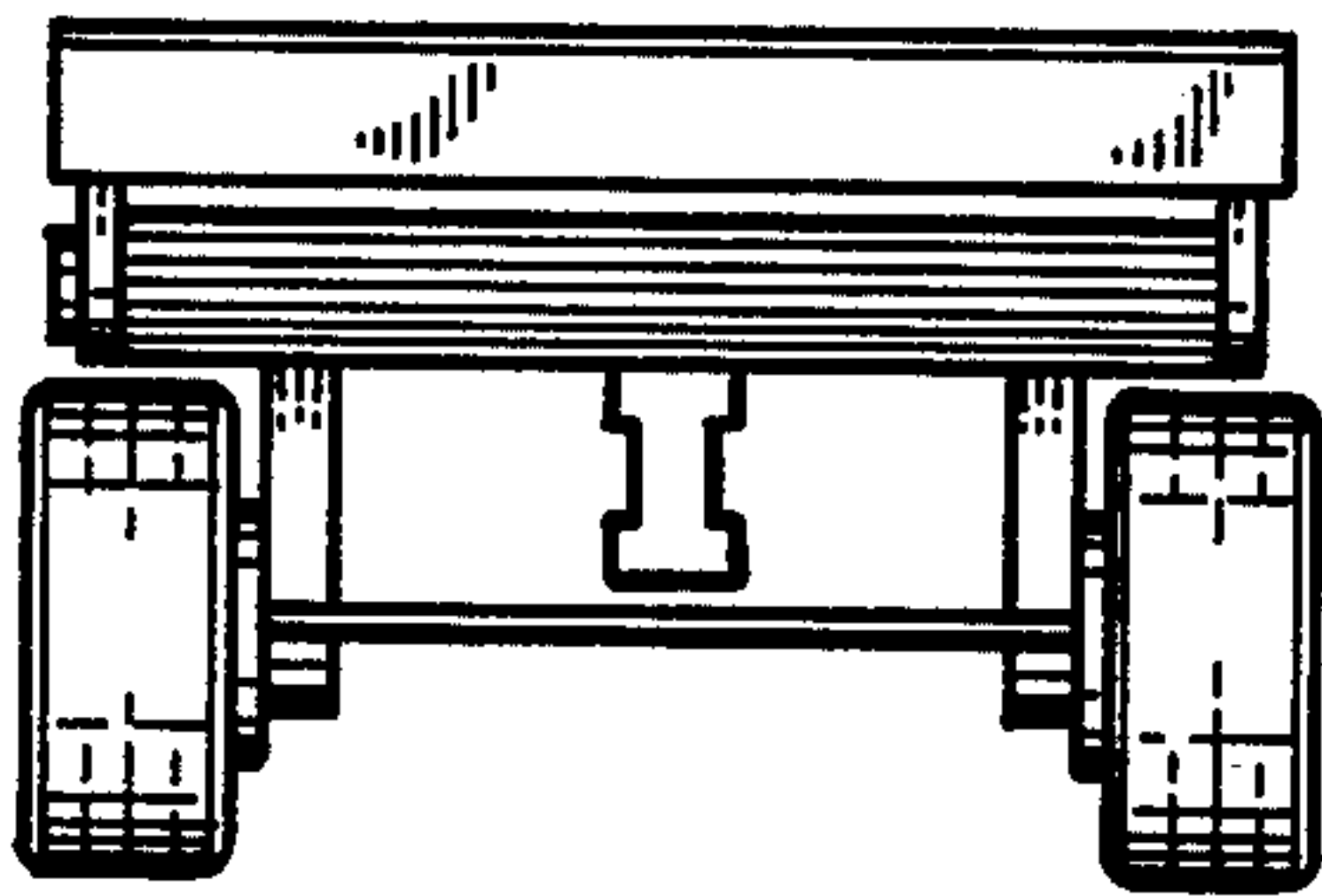


Fig. 4

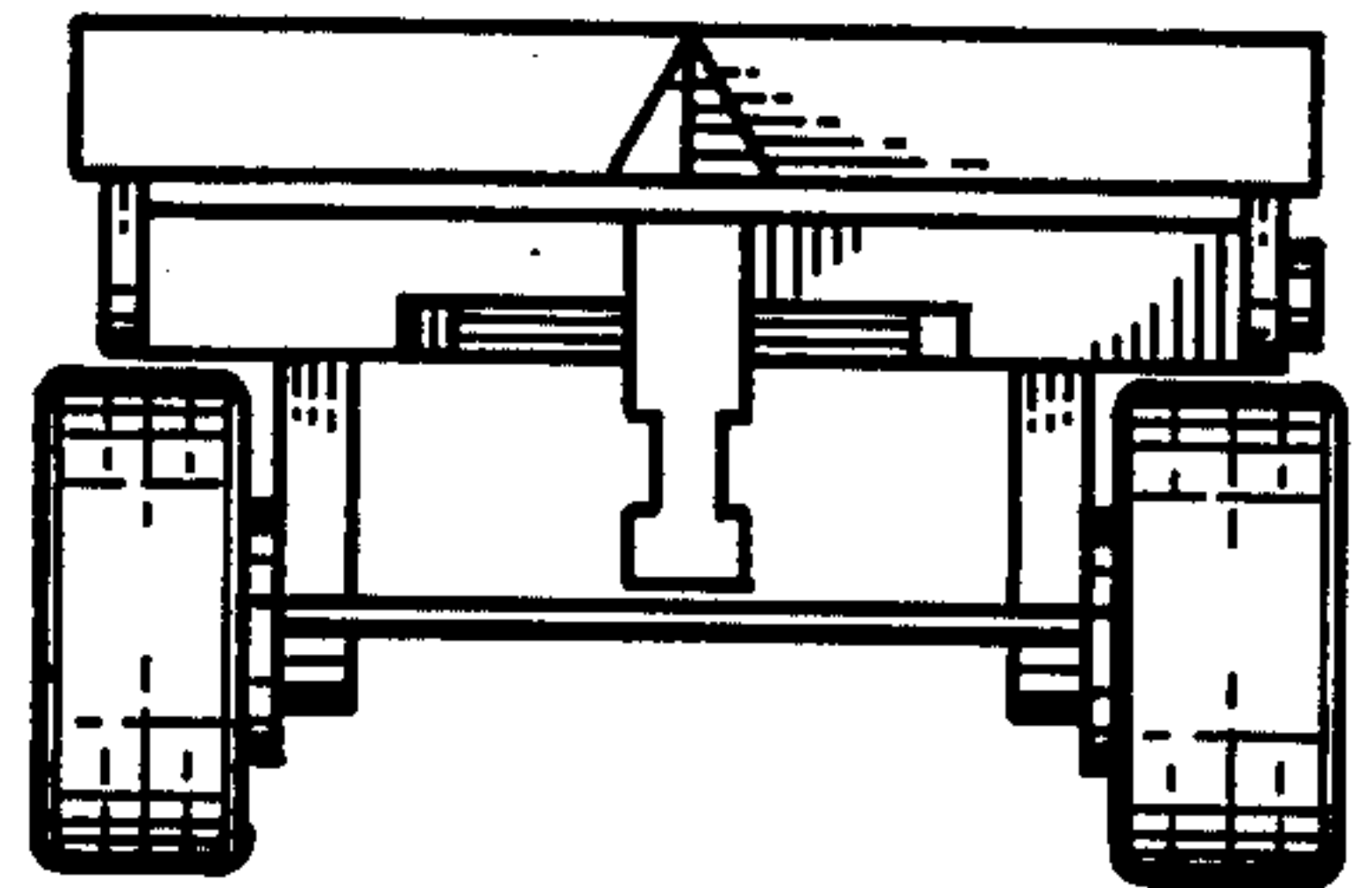


Fig. 5

Fig. 6

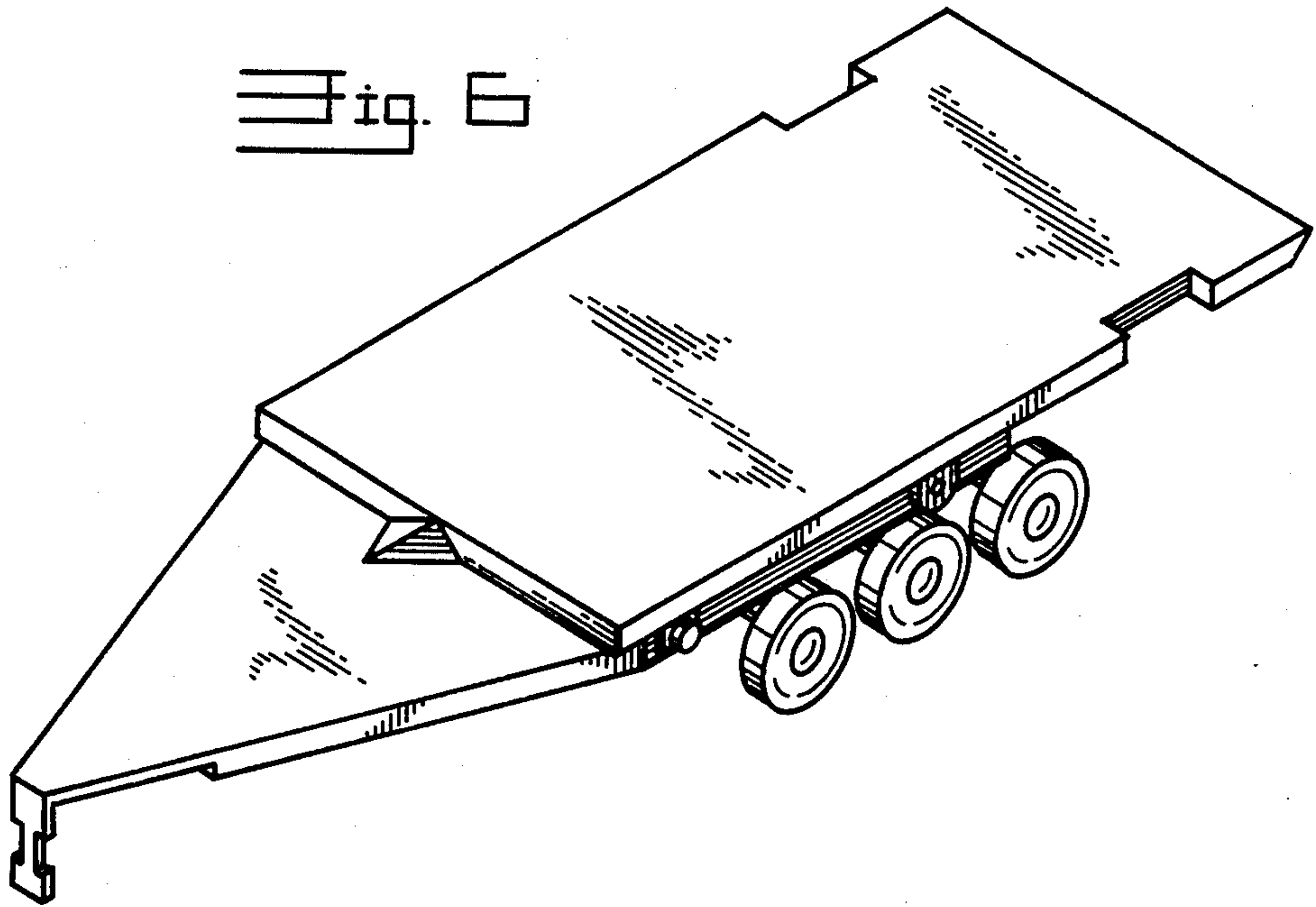


Fig. 7

