

United States Patent [19]

Hölterscheidt

[11] Patent Number: Des. 298,762

[45] Date of Patent: ** Nov. 29, 1988

[54] COMBINED HOLDER FOR A WRITING INSTRUMENT AND NOTE PAPER

[75] Inventor: Siegfried Hölterscheidt, Hückelhoven, Fed. Rep. of Germany

[73] Assignee: Walter Henkels GmbH, Ratheim, Fed. Rep. of Germany

[**] Term: 14 Years

[21] Appl. No.: 851,396

[22] Filed: Apr. 10, 1986

[30] Foreign Application Priority Data

Jan. 6, 1986 [DE] Fed. Rep. of Germany MR 167
[52] U.S. Cl. D19/78
[58] Field of Search D19/75-85, D19/20, 25, 86-88, 91-92; 206/214

[56] References Cited

U.S. PATENT DOCUMENTS

D. 68,588 6/1925 Falder D19/83
D. 189,489 12/1960 Jackson D19/75
D. 256,137 7/1980 Cross D19/77

D. 264,821 6/1982 Henkels D19/77
D. 290,024 5/1987 Hennigan et al. D19/83

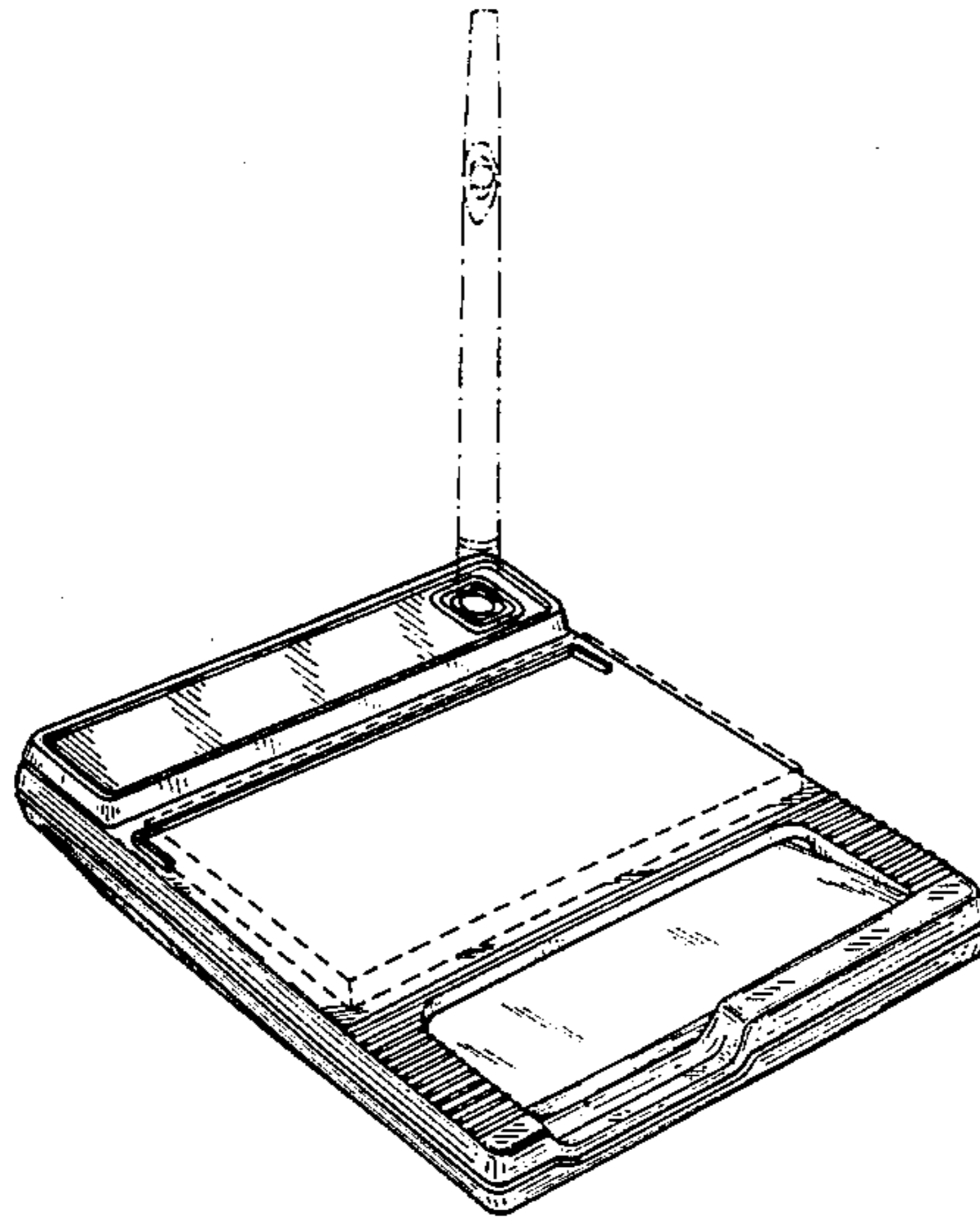
Primary Examiner—Charles A. Rademaker
Attorney, Agent, or Firm—Diller, Ramik & Wight

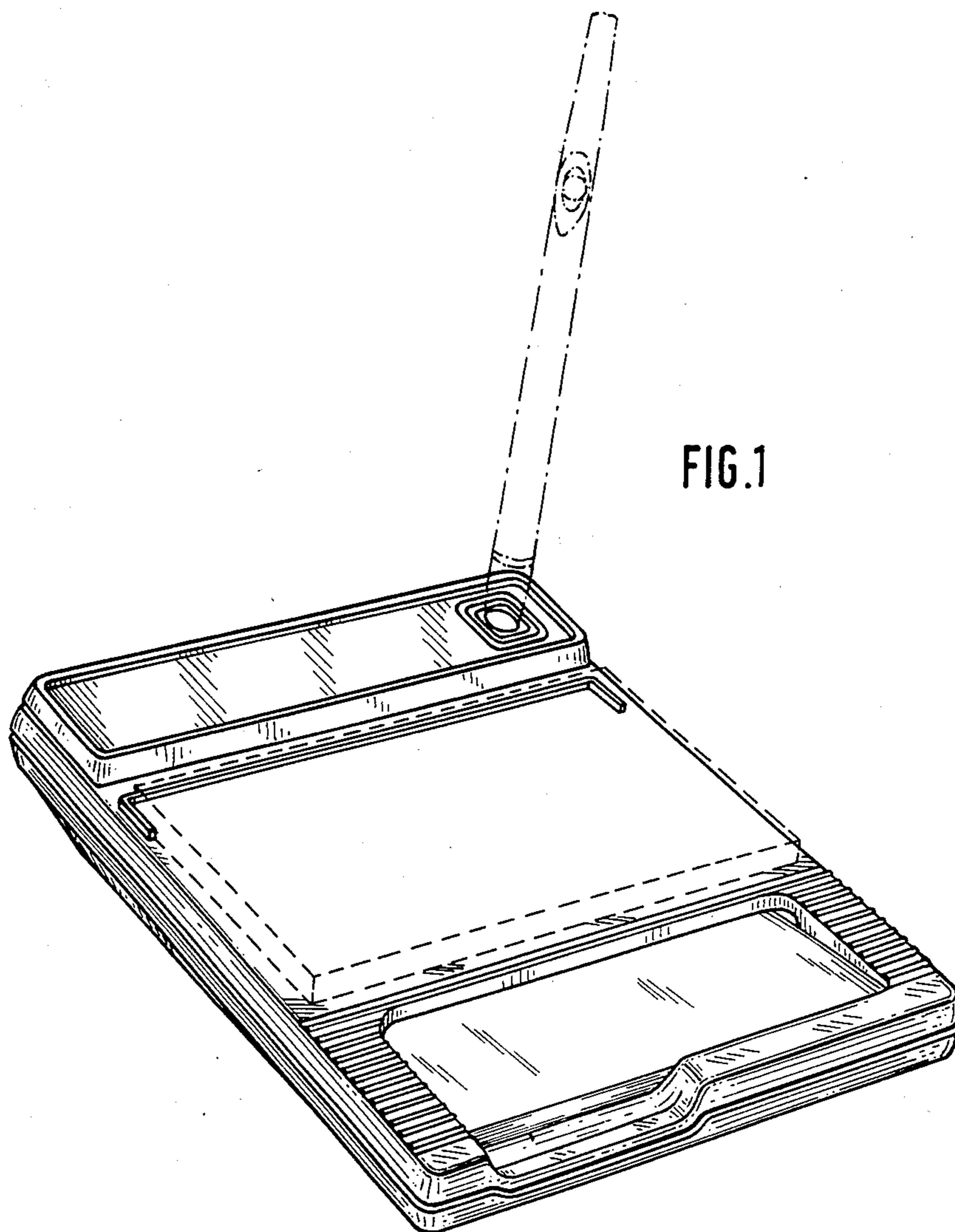
[57] CLAIM

The ornamental design for a combined holder for a writing instrument and note paper, as shown and described.

DESCRIPTION

FIG. 1 is a perspective view of a combined holder for a writing instrument and note paper showing my new design;
FIG. 2 is another perspective view thereof showing the cover in an opened condition;
FIG. 3 is a top plan view thereof;
FIG. 4 is a rear elevational view thereof;
FIG. 5 is a front elevational view thereof;
FIG. 6 is a left side elevational view thereof, the side opposite being substantially a mirror image; and
FIG. 7 is a bottom plan view thereof.
The broken line showing of a writing instrument in FIGS. 1 and 2 and note paper in FIG. 1 is for illustrative purposes only and forms no part of the claimed design.





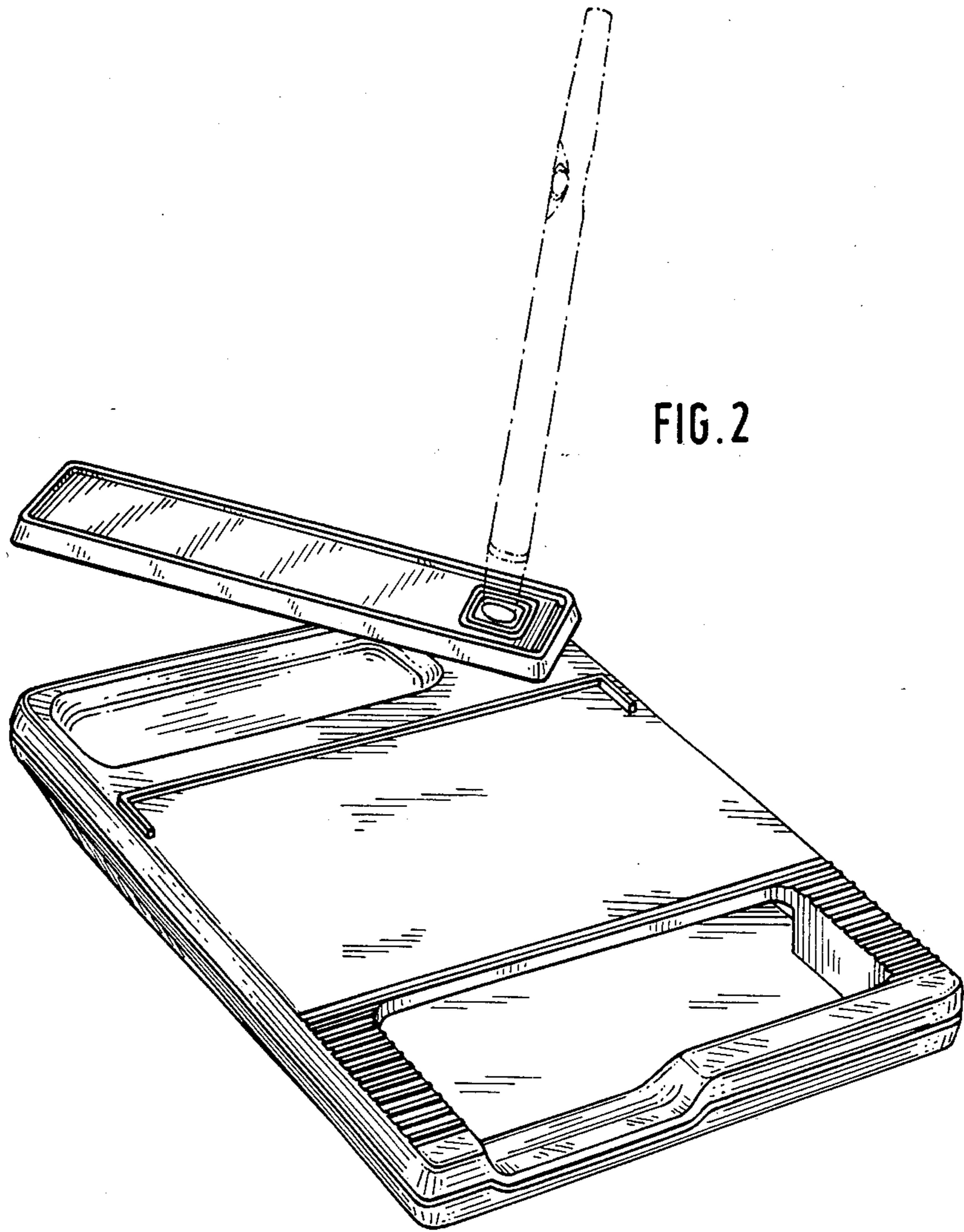


FIG. 2

FIG. 3

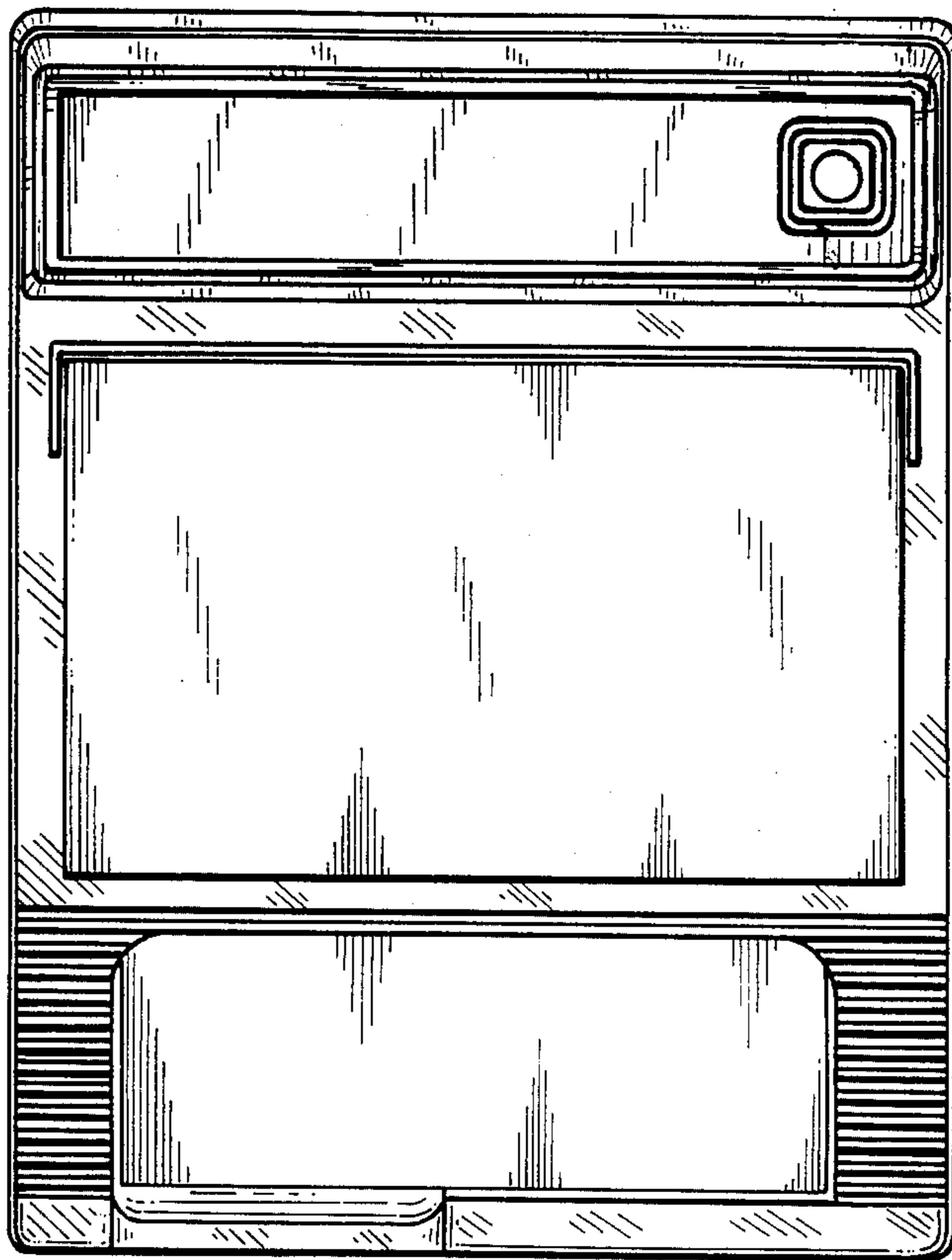


FIG. 4

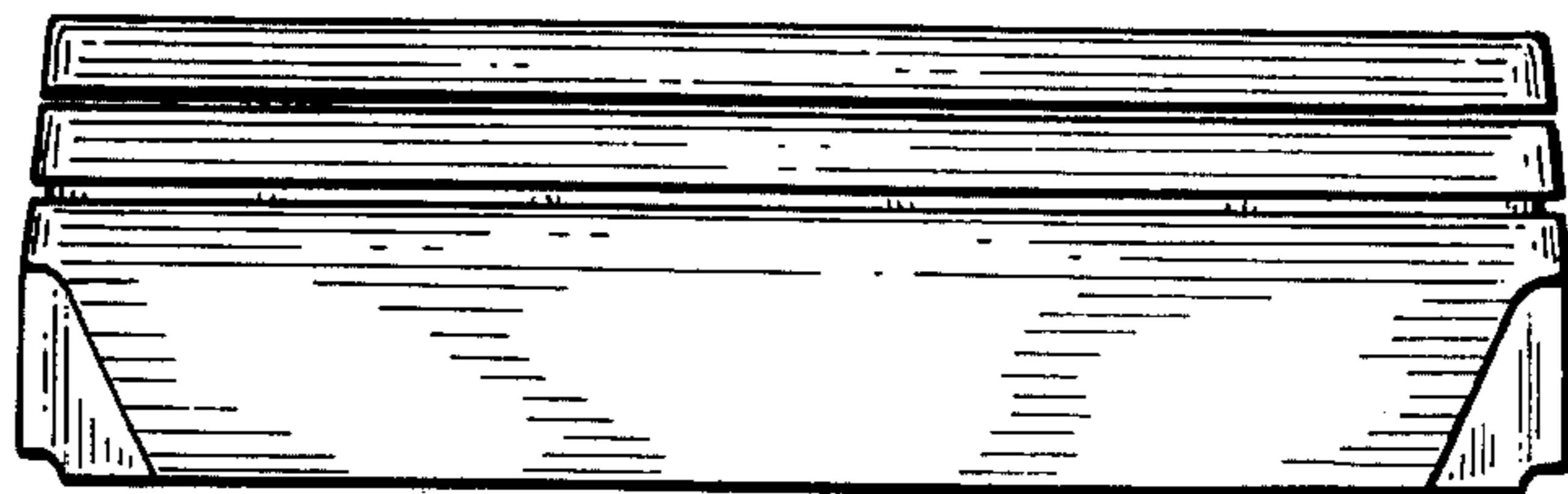


FIG. 5

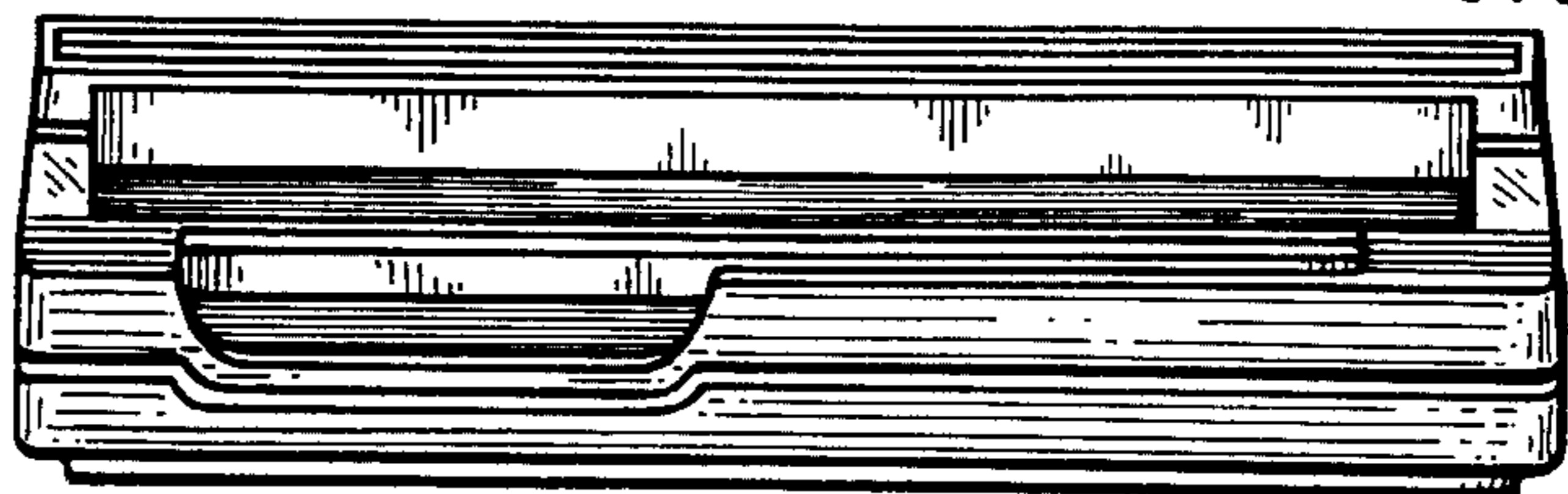




FIG. 6

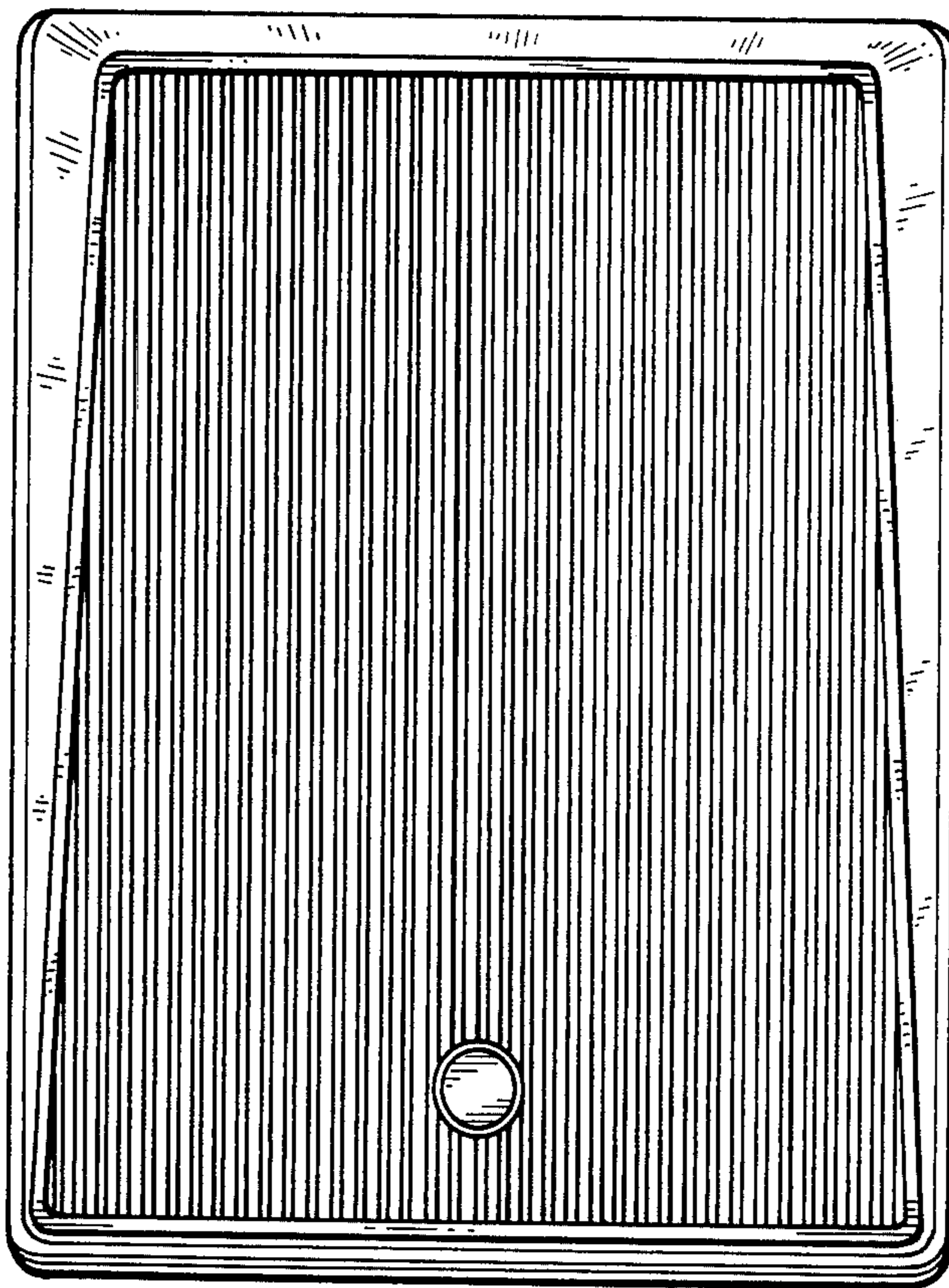


FIG. 7