

# United States Patent [19]

Yoshida et al.

[11] Patent Number: **Des. 298,761**

[45] Date of Patent: **\*\* Nov. 29, 1988**

[54] LENS CAP

[75] Inventors: **Michio Yoshida, Tokyo; Isao Nakazawa, Kawasaki, both of Japan**

[73] Assignee: **Canon Kabushiki Kaisha, Tokyo, Japan**

[\*\*] Term: **14 Years**

[21] Appl. No.: **813,955**

[22] Filed: **Dec. 27, 1985**

[30] Foreign Application Priority Data

Jul. 8, 1985 [JP] Japan ..... 60-29006

[52] U.S. Cl. .... **D16/136**

[58] Field of Search ..... D16/10, 38, 123, 136;  
350/587

[56] References Cited

## U.S. PATENT DOCUMENTS

D. 164,923 10/1951 Heidecke ..... D16/136  
D. 235,578 6/1975 Miyake ..... D16/136  
D. 247,782 4/1978 Blumberg ..... D16/38 X

2,291,821 8/1942 McNabb ..... 350/587  
3,942,864 3/1976 Numbers ..... 350/587  
4,327,960 5/1982 Gould ..... 350/587

## FOREIGN PATENT DOCUMENTS

1215391 4/1966 Fed. Rep. of Germany ..... 350/587

*Primary Examiner*—Nelson C. Holtje  
*Attorney, Agent, or Firm*—Fitzpatrick, Cella, Harper & Scinto

[57] CLAIM

The ornamental design for a lens cap, as shown and described.

## DESCRIPTION

FIG. 1 is a front elevational view of a lens cap showing our new design;

FIG. 2 is a rear elevational view thereof;

FIG. 3 is a top plan view thereof;

FIG. 4 is a bottom plan view thereof;

FIG. 5 is a left side elevational view thereof;

FIG. 6 is a right side elevational view thereof;

FIG. 7 is a front perspective view thereof.

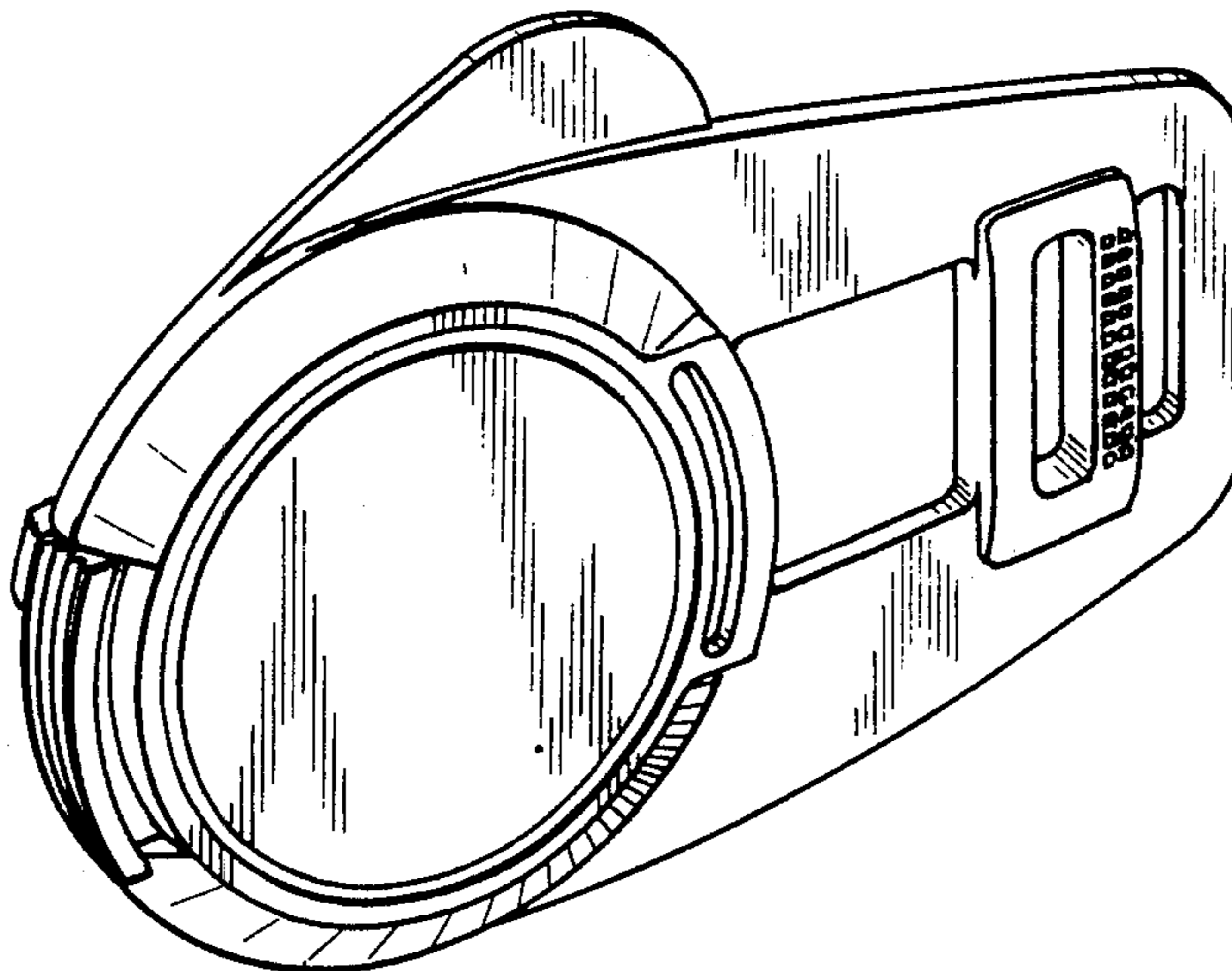


FIG. 1

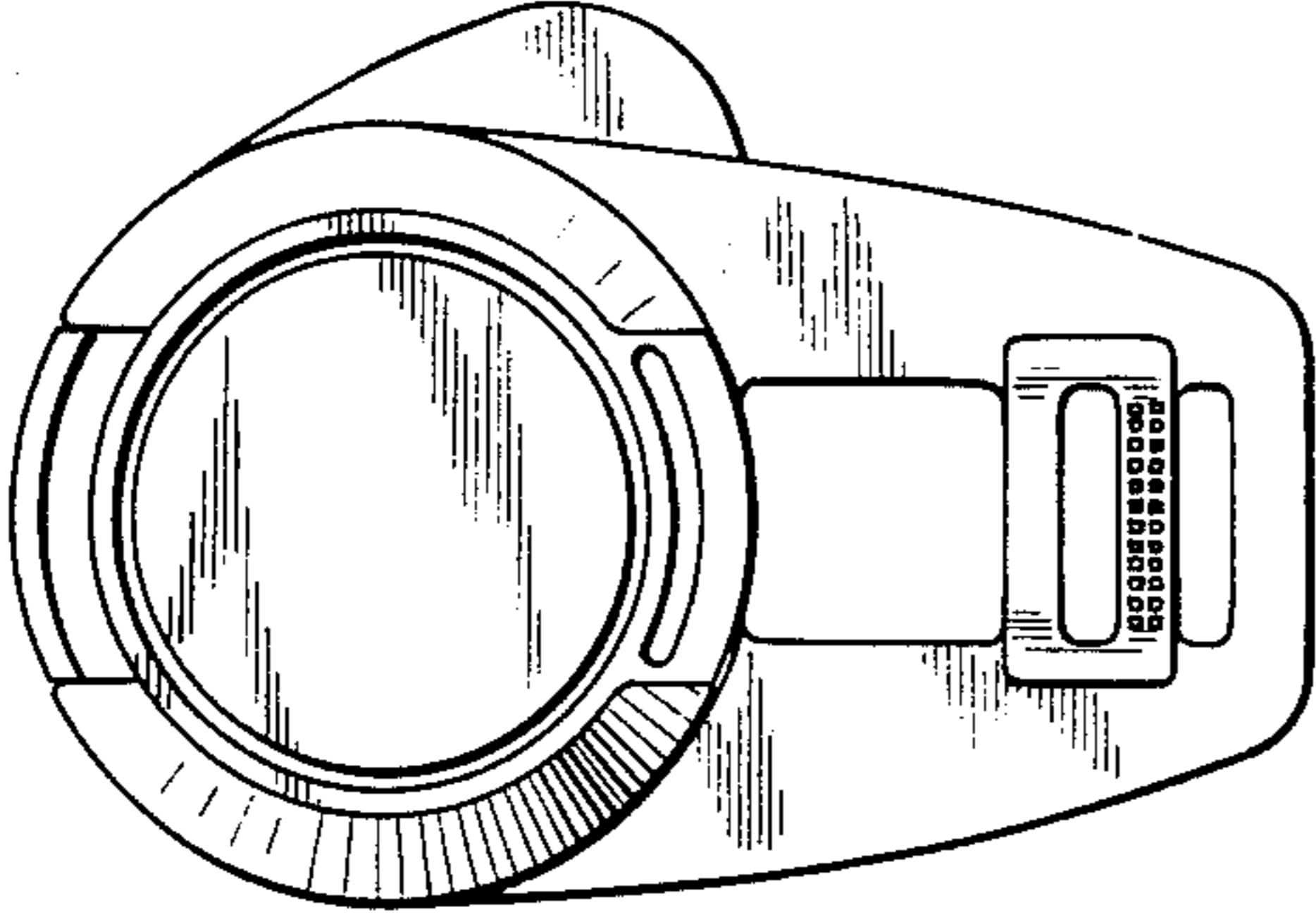


FIG. 2

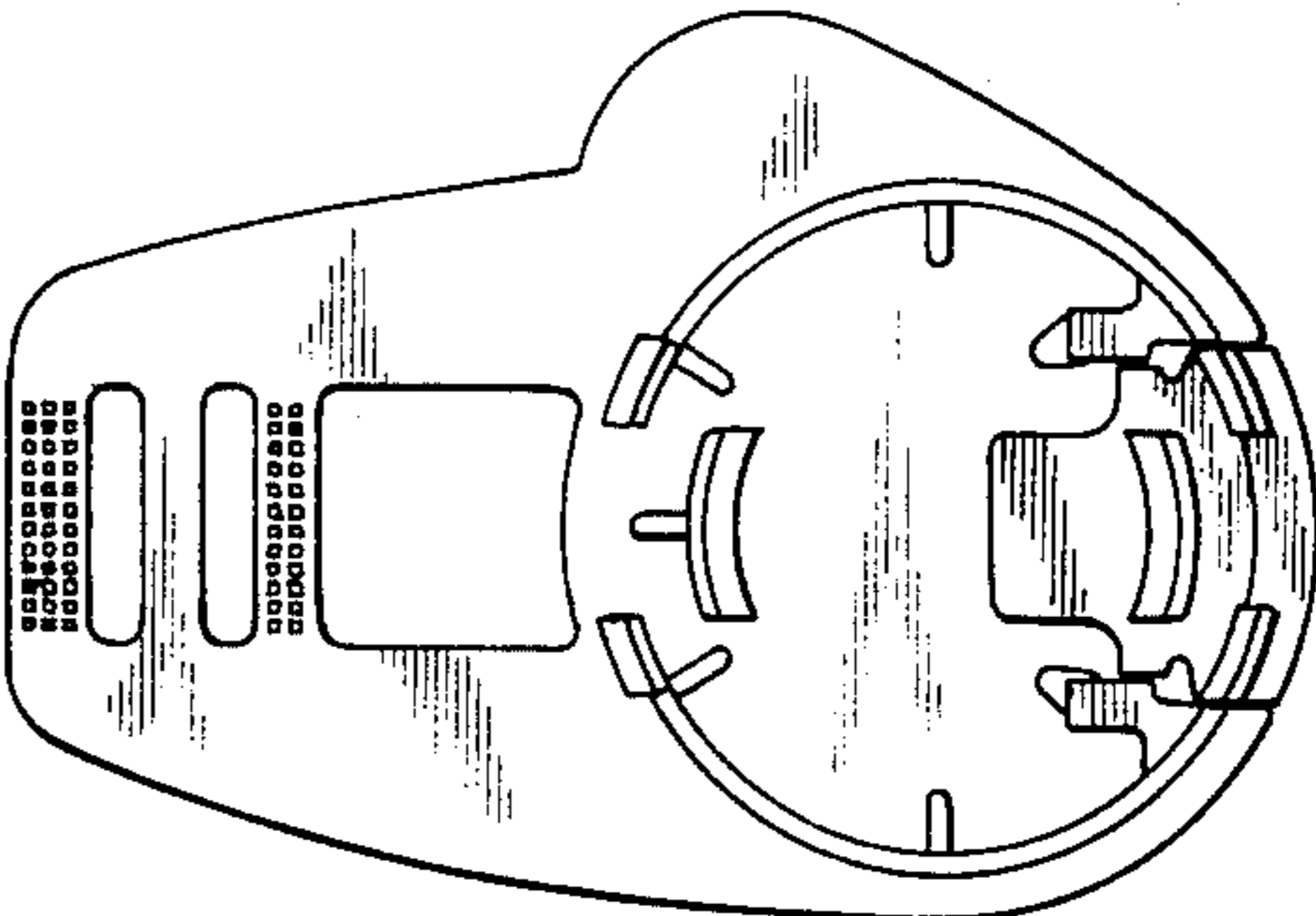


FIG. 3



FIG. 4



FIG. 5



FIG. 6



FIG. 7

