

United States Patent [19]

Yoshida et al.

[11] Patent Number: Des. 298,760

[45] Date of Patent: ** Nov. 29, 1988

[54] ACCESSORY MOUNT FOR A CAMERA

[75] Inventors: Michio Yoshida, Tokyo; Isao Nakazawa, Kawasaki, both of Japan

[73] Assignee: Canon Kabushiki Kaisha, Tokyo, Japan

[**] Term: 14 Years

[21] Appl. No.: 813,953

[22] Filed: Dec. 27, 1985

[30] Foreign Application Priority Data

Jul. 8, 1985 [JP] Japan 60-29005

[52] U.S. Cl. D16/44; D16/47; D16/10

[58] Field of Search D16/10, 44, 47; 354/293, 294; 248/205.1, 359 R

[56] References Cited

U.S. PATENT DOCUMENTS

D. 187,891 5/1960 Marson D16/47
D. 236,029 7/1975 Land D16/44
D. 255,582 6/1980 Lackenby D16/47

D. 256,128 7/1980 Borisoff D16/47
D. 294,034 2/1988 Yoshida et al. D16/44
2,638,041 5/1953 Horydczak 354/293
3,589,260 6/1971 Ferra 354/293
3,650,195 3/1972 Jones 354/293
3,821,771 6/1974 Johnson 354/293
4,697,783 10/1987 Kastendieck 248/205.1 X

Primary Examiner—Nelson C. Holtje
Attorney, Agent, or Firm—Fitzpatrick, Cella, Harper & Scinto

[57] CLAIM

The ornamental design for an accessory mount for a camera, as shown and described.

DESCRIPTION

FIG. 1 is a front elevational view of an accessory mount for a camera showing our new design;
FIG. 2 is a rear elevational view thereof;
FIG. 3 is a top plan view thereof;
FIG. 4 is a bottom plan view thereof;
FIG. 5 is a left side elevational view thereof;
FIG. 6 is a right side elevational view thereof;
FIG. 7 is a front perspective view thereof.

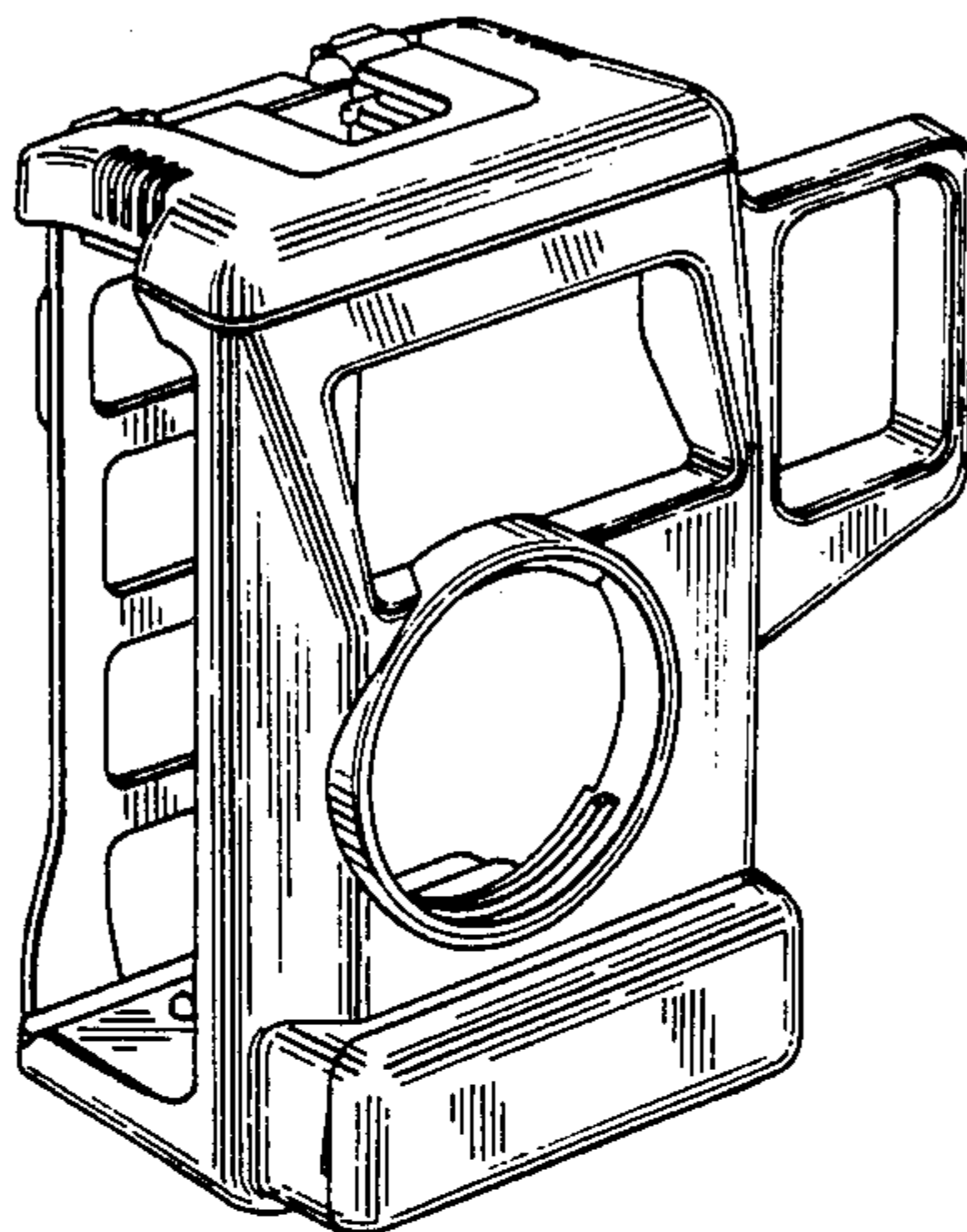


FIG. 1

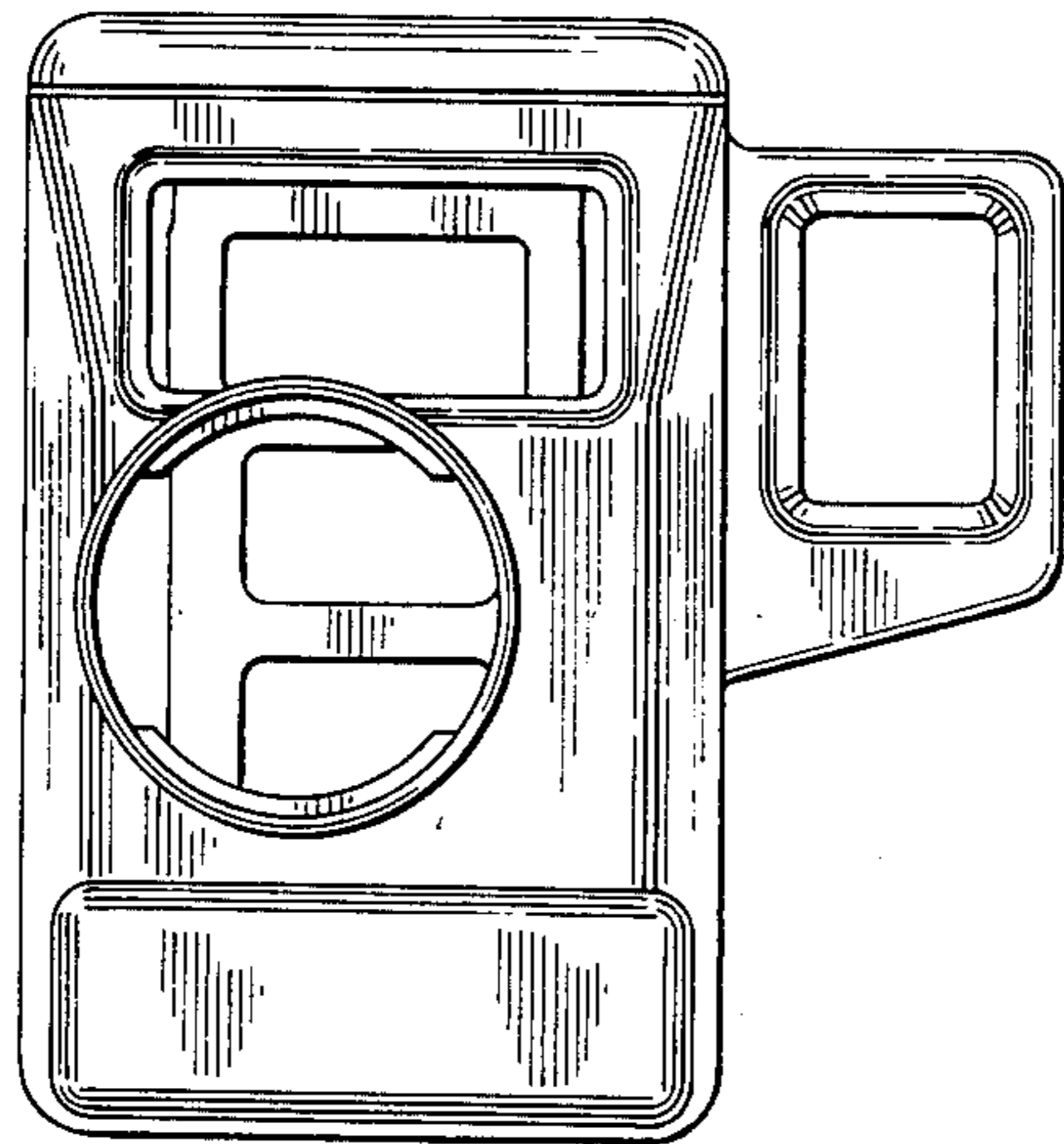


FIG. 2

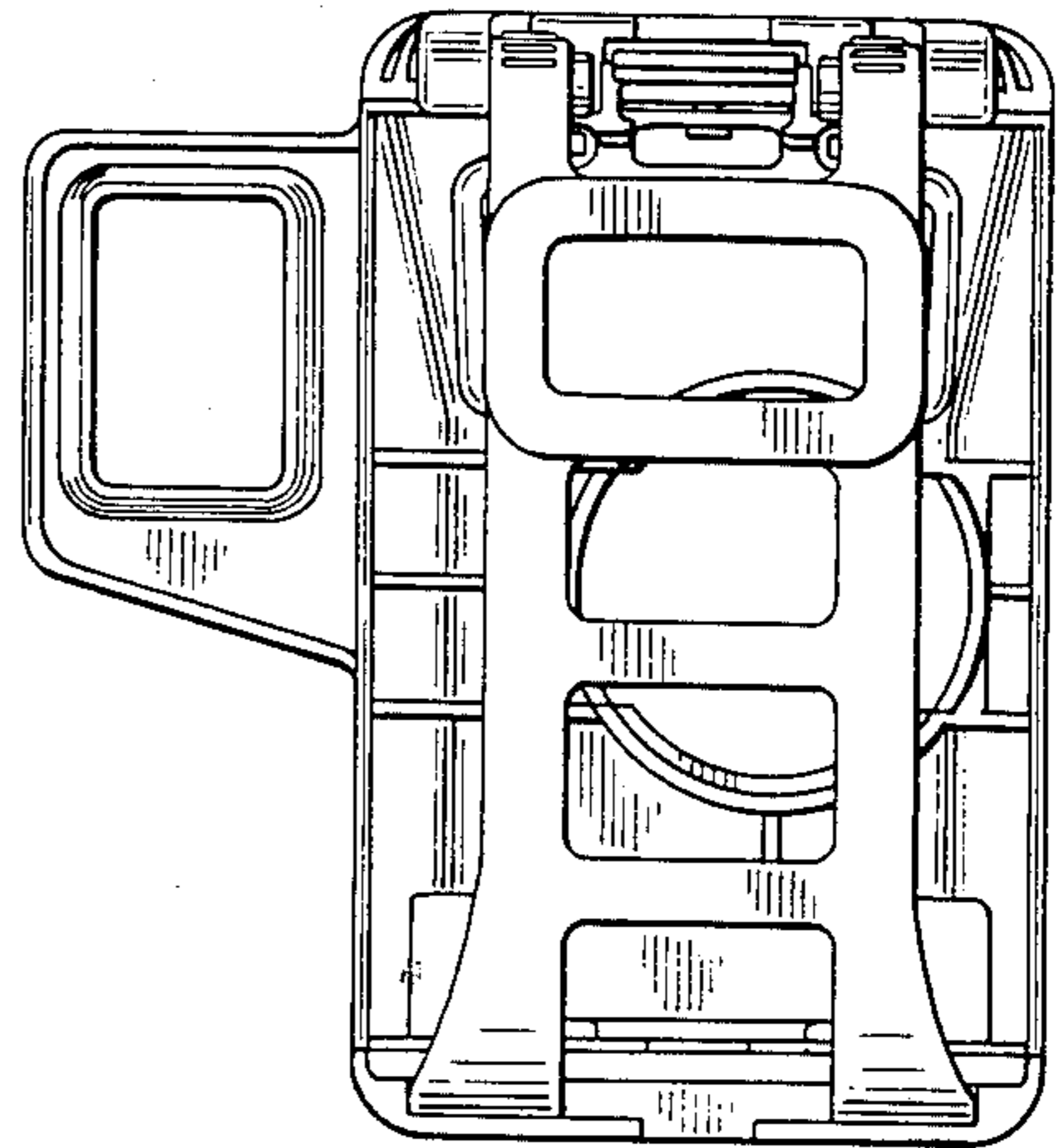


FIG. 3

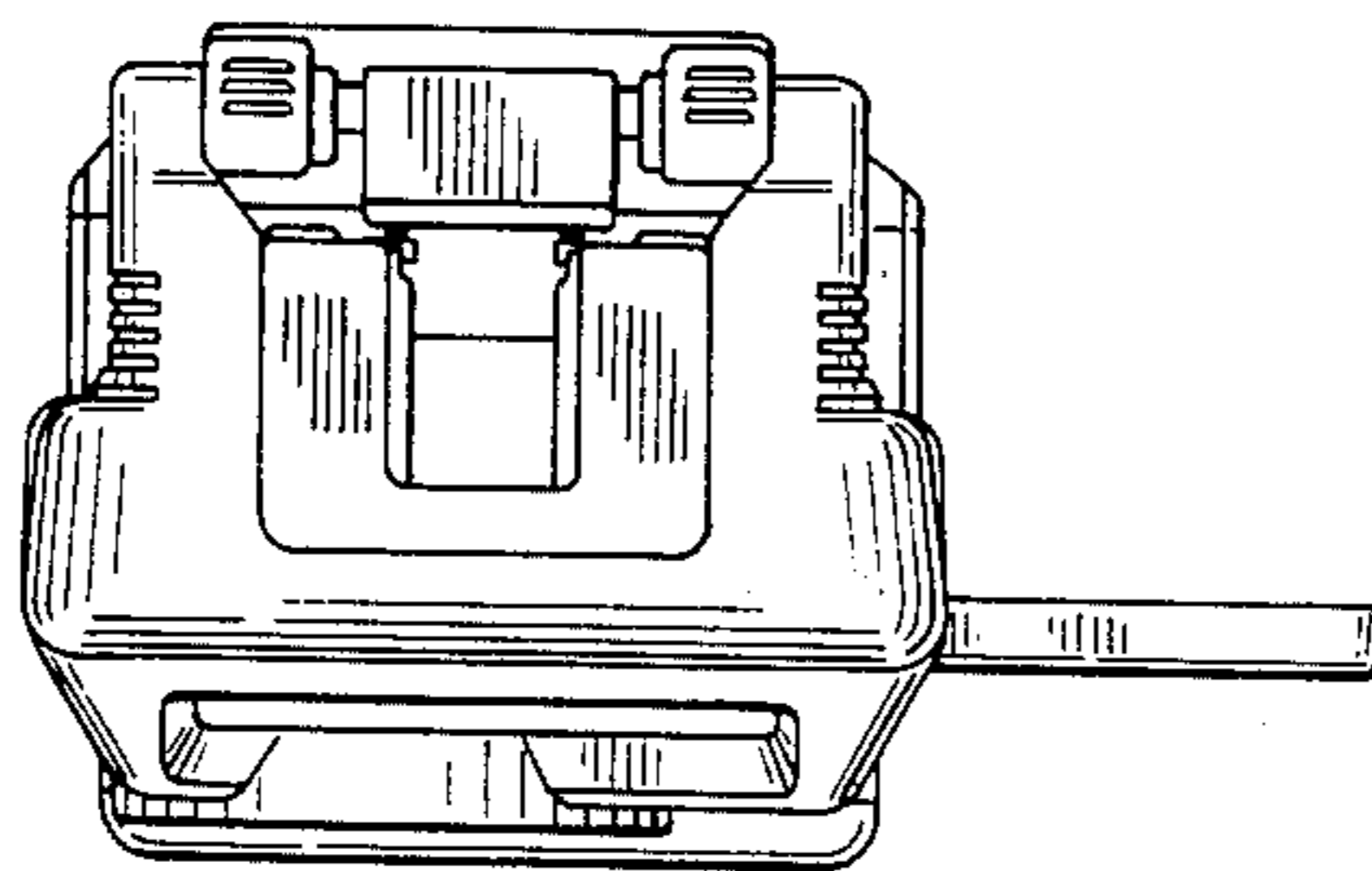


FIG. 4

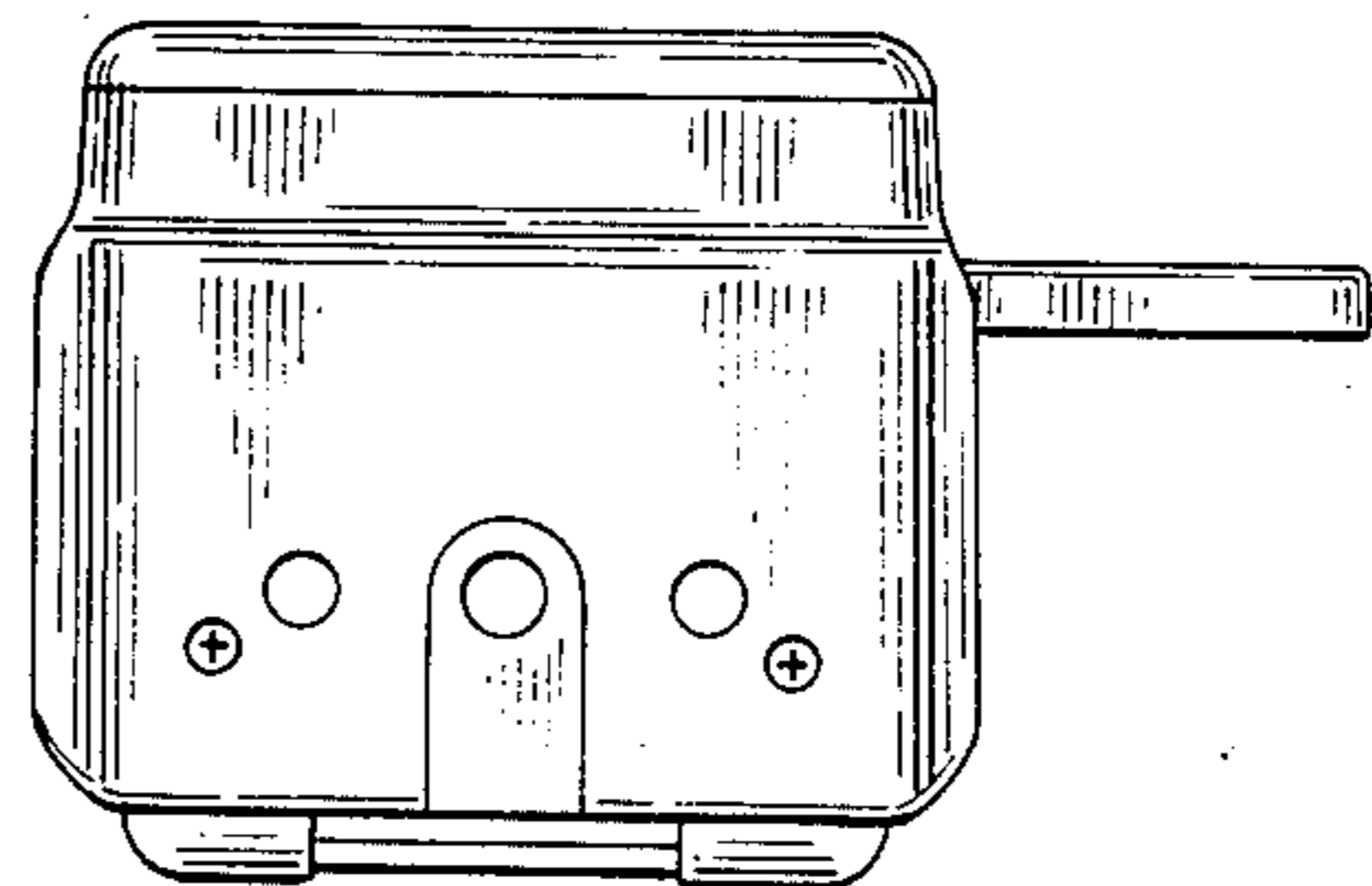


FIG. 5

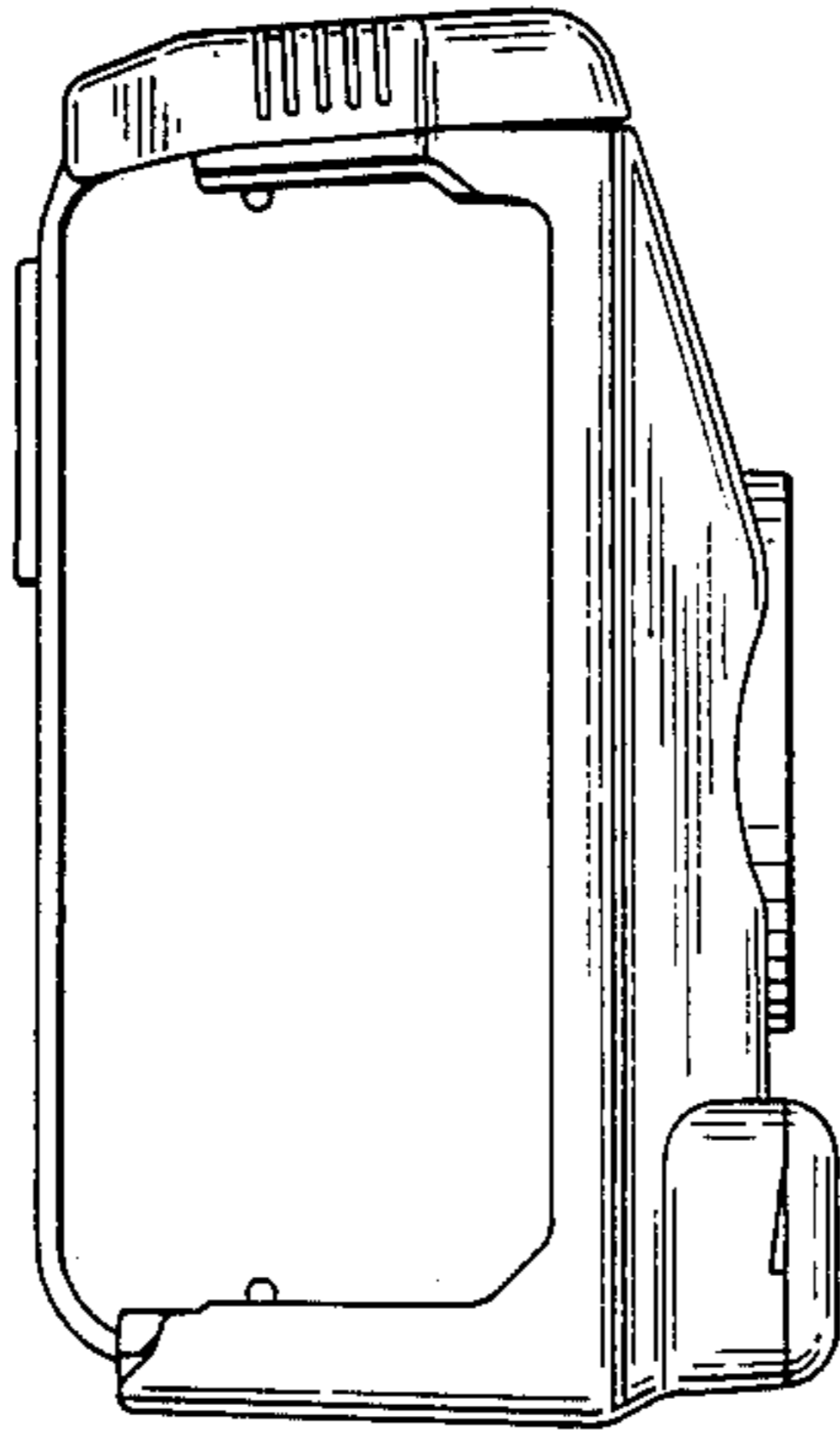


FIG. 6

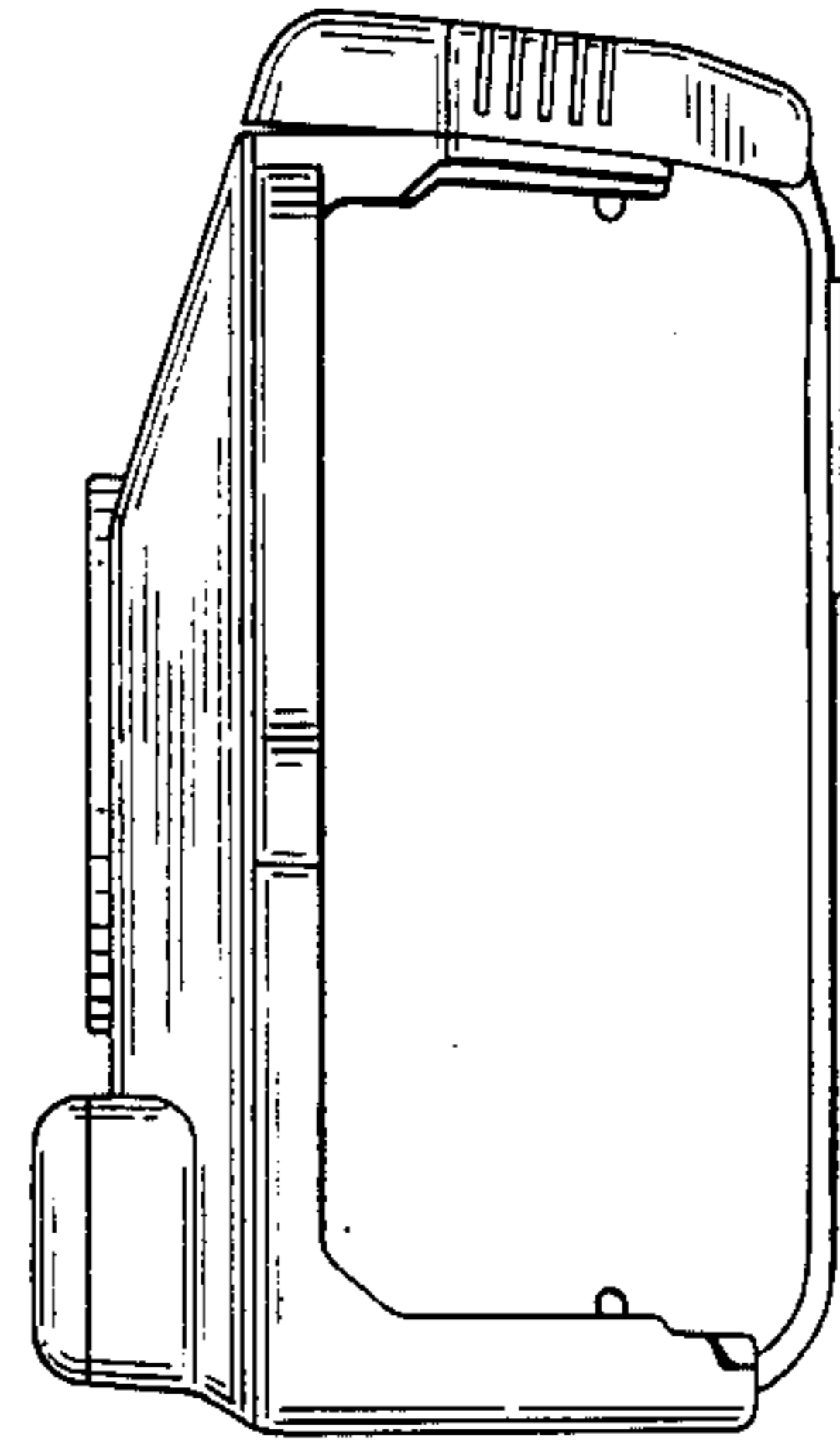


FIG. 7

