

[54] SEALER

[75] Inventor: Kendo Makihara, Osaka, Japan

[73] Assignee: Sharp Corporation, Osaka, Japan

[\*\*] Term: 14 Years

[21] Appl. No.: 944,594

[22] Filed: Dec. 18, 1986

[30] Foreign Application Priority Data

Jun. 18, 1986 [JP] Japan ..... 61-23712

[52] U.S. Cl. .... D15/146

[58] Field of Search ..... D15/145, 146;  
156/583.1, 583.2, 583.8, 583.9

[56] References Cited

U.S. PATENT DOCUMENTS

- D. 238,444 1/1976 Schipper ..... D15/146
- D. 277,386 1/1985 Yamada ..... D15/146

4,021,290	5/1977	Smith .....	156/583.9
4,104,108	8/1978	Kishida .....	156/583.9
4,378,266	3/1983	Gerken .....	156/583.9

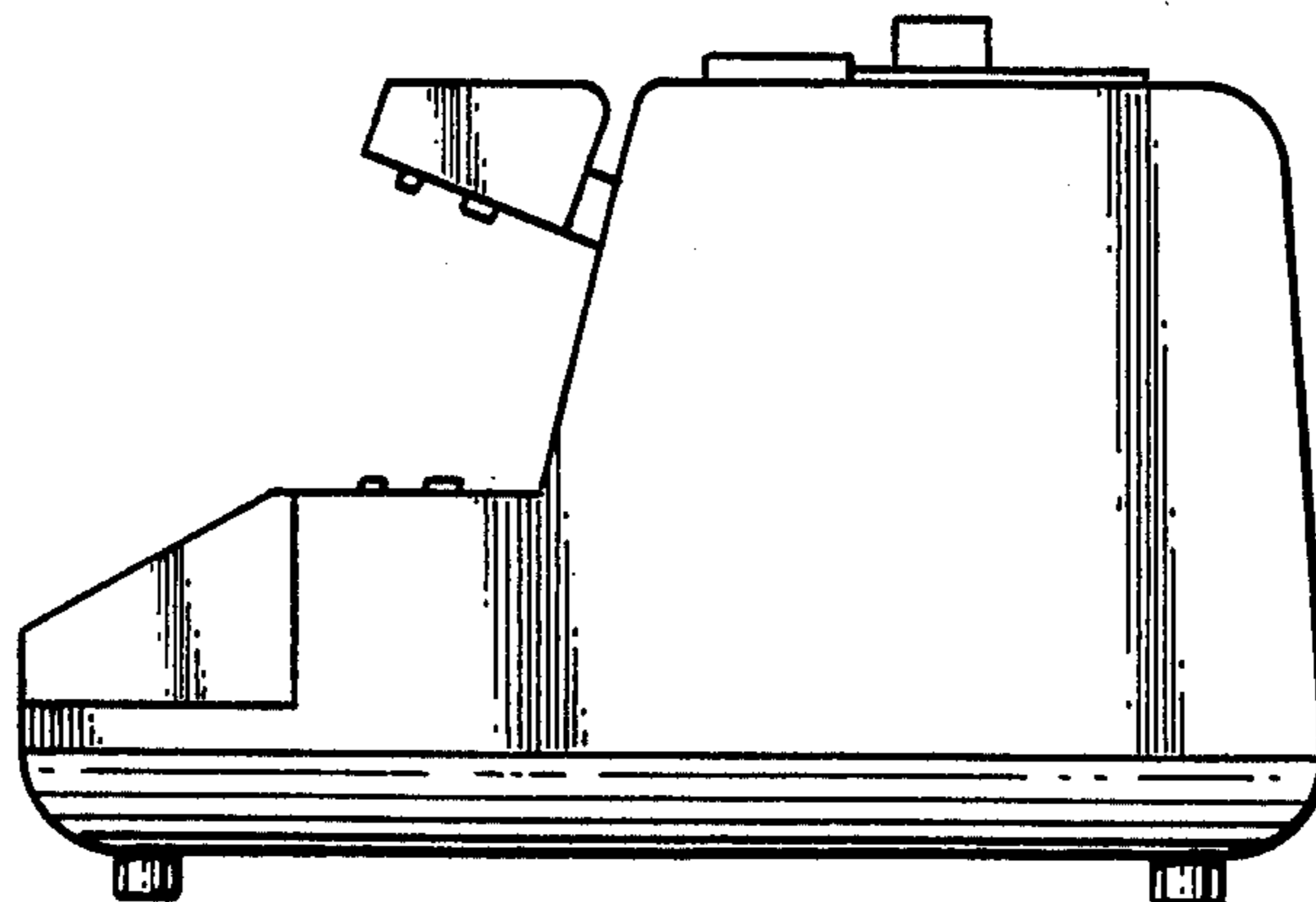
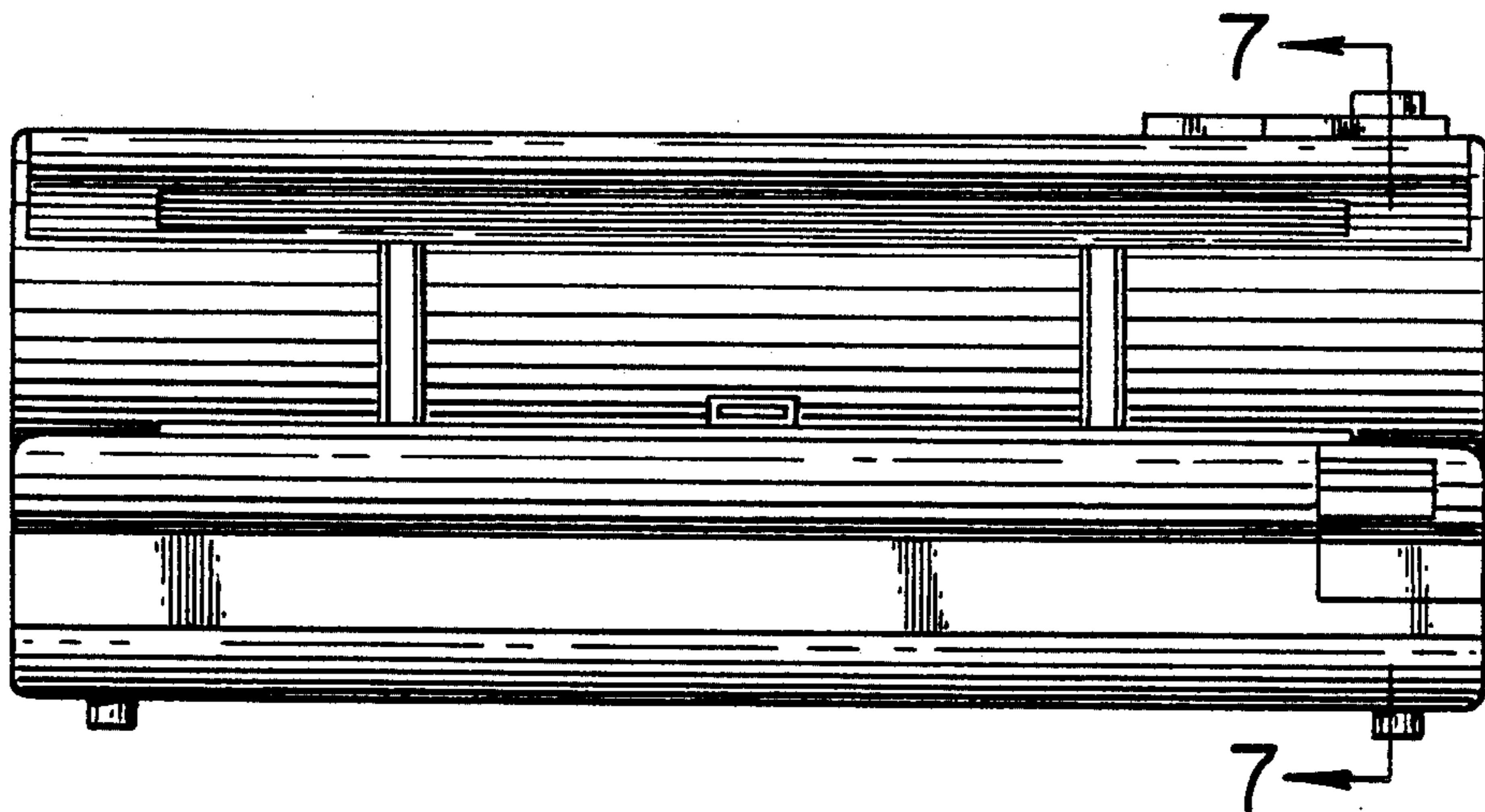
Primary Examiner—B. J. Bullock  
Attorney, Agent, or Firm—Flehr, Hohbach, Test,  
Albritton & Herbert

[57] CLAIM

The ornamental design for a sealer, as shown and described.

DESCRIPTION

FIG. 1 is a front elevational view of the sealer showing my new design;  
 FIG. 2 is a rear elevational view thereof;  
 FIG. 3 is a top plan view thereof;  
 FIG. 4 is a bottom plan view thereof;  
 FIG. 5 is a right side elevational view thereof;  
 FIG. 6 is a left side elevational view thereof; and  
 FIG. 7 is a sectional view taken in the direction of the arrows on line 7—7 of FIG. 1.



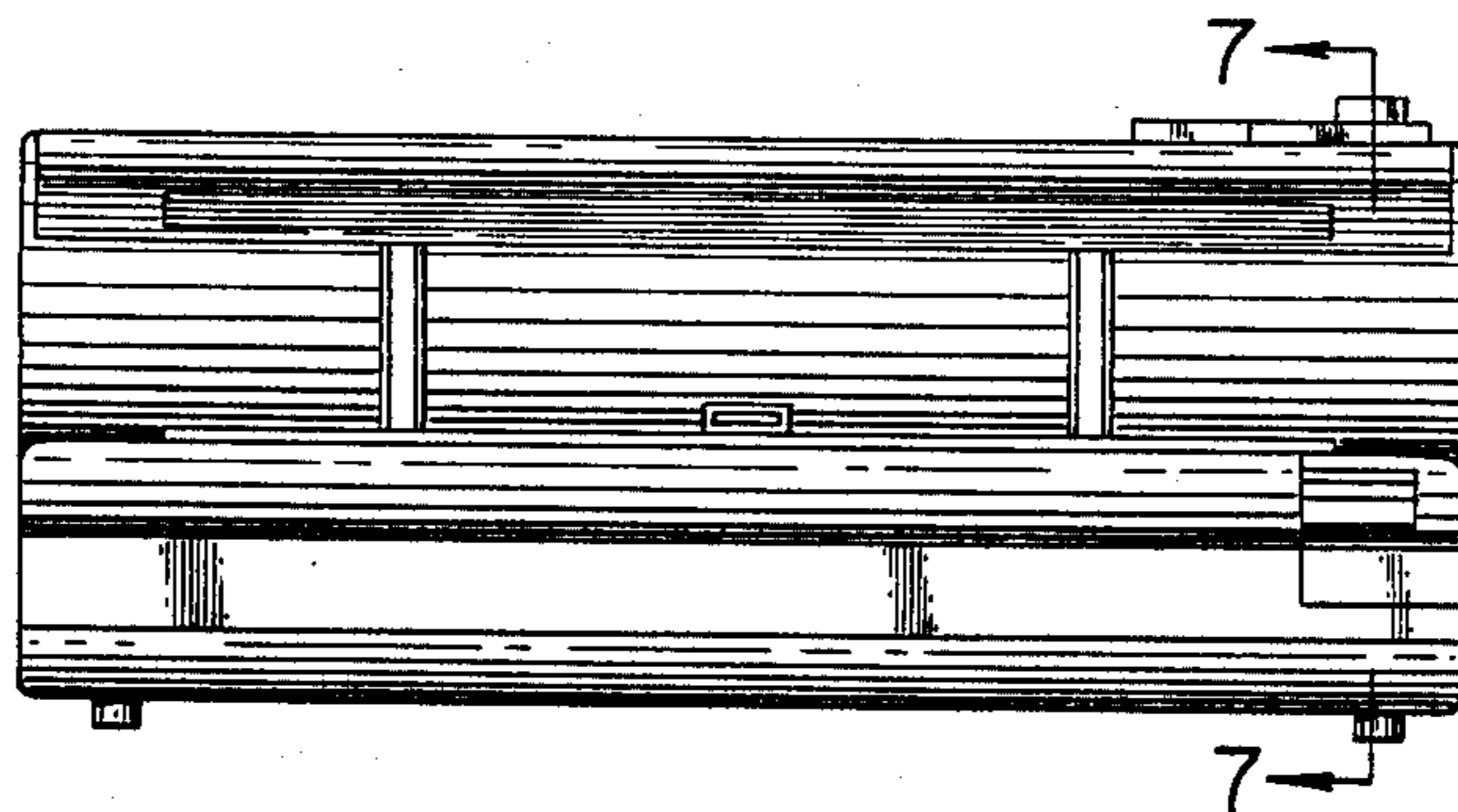


FIG. 1

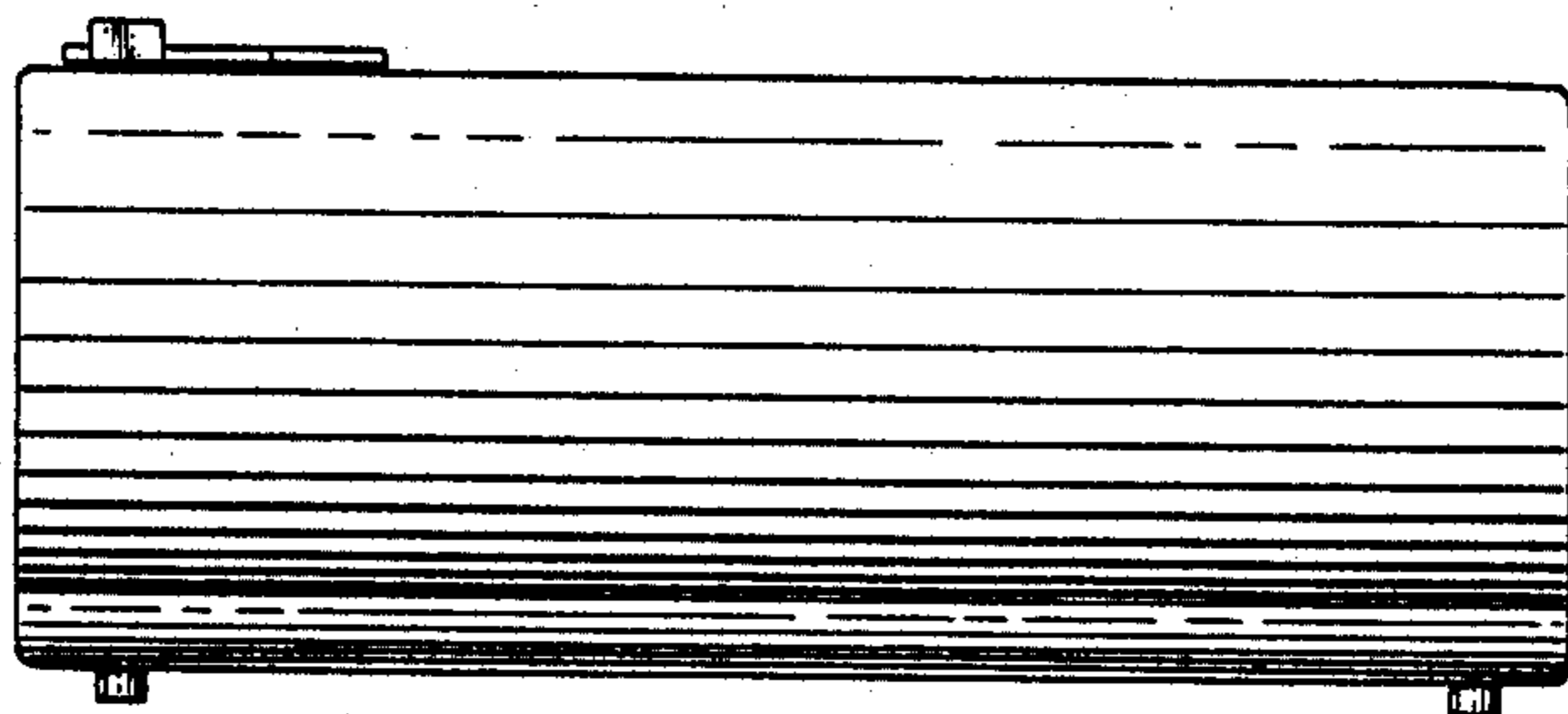


FIG. 2

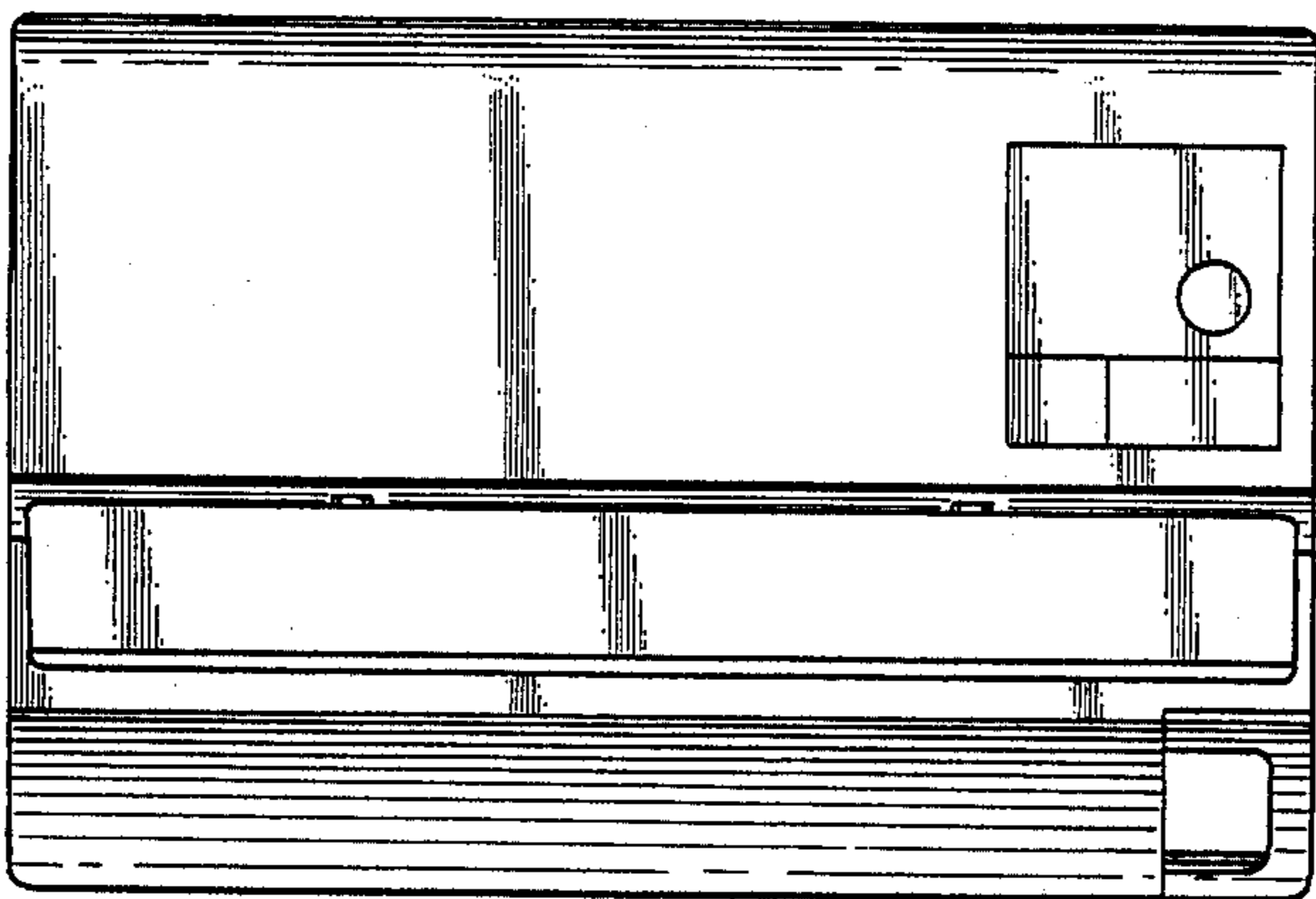


FIG. 3

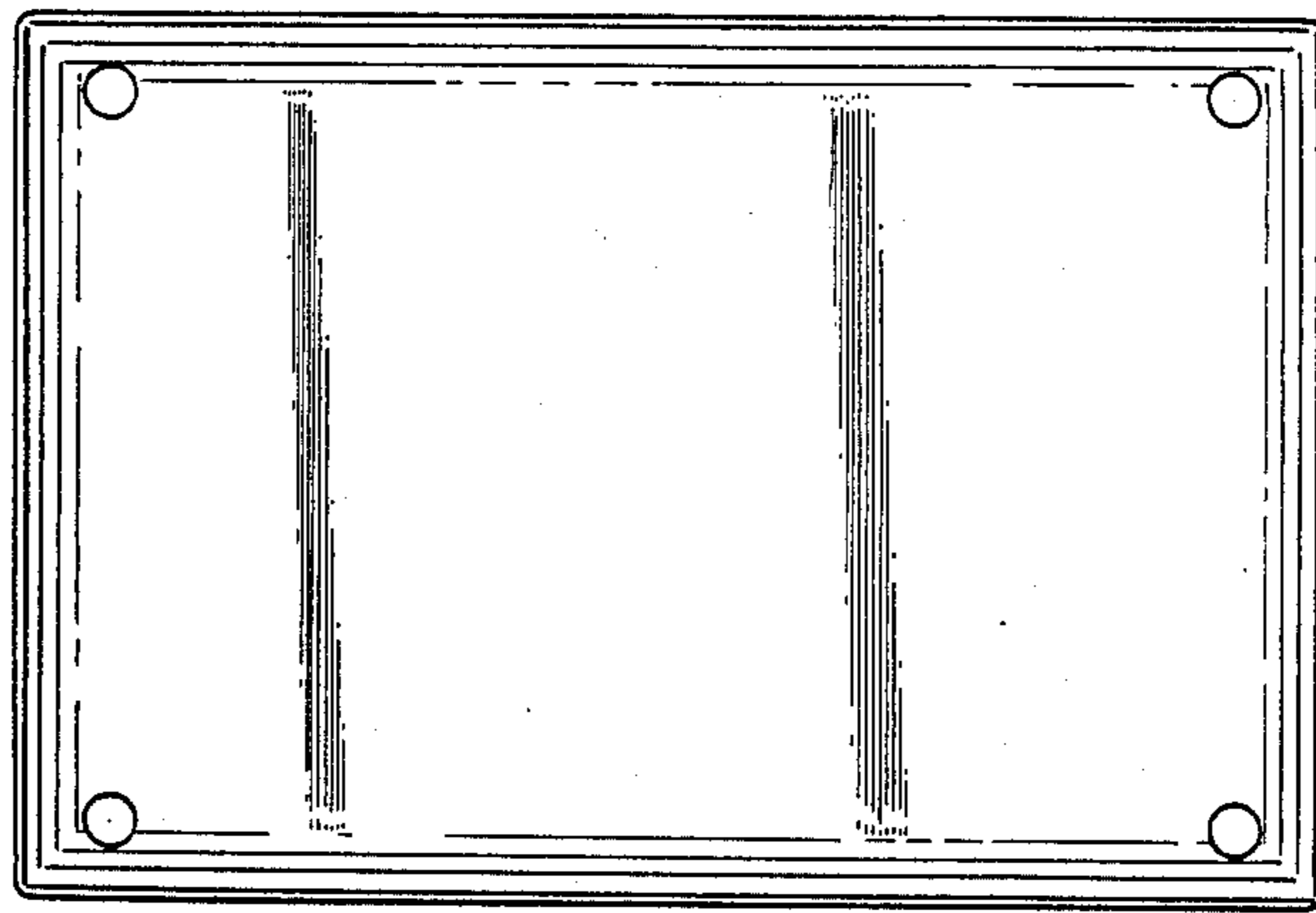


FIG. 4

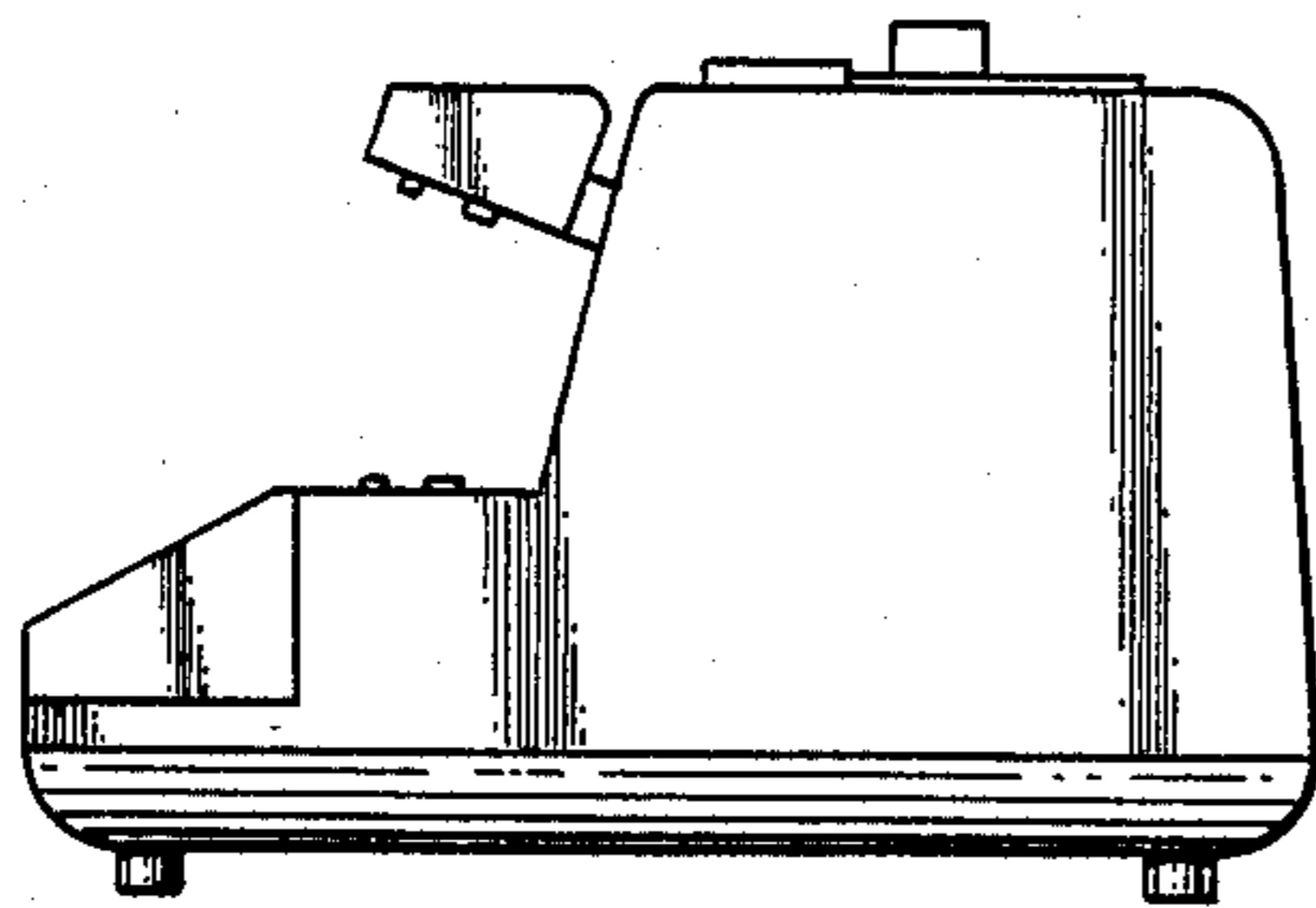


FIG. 5

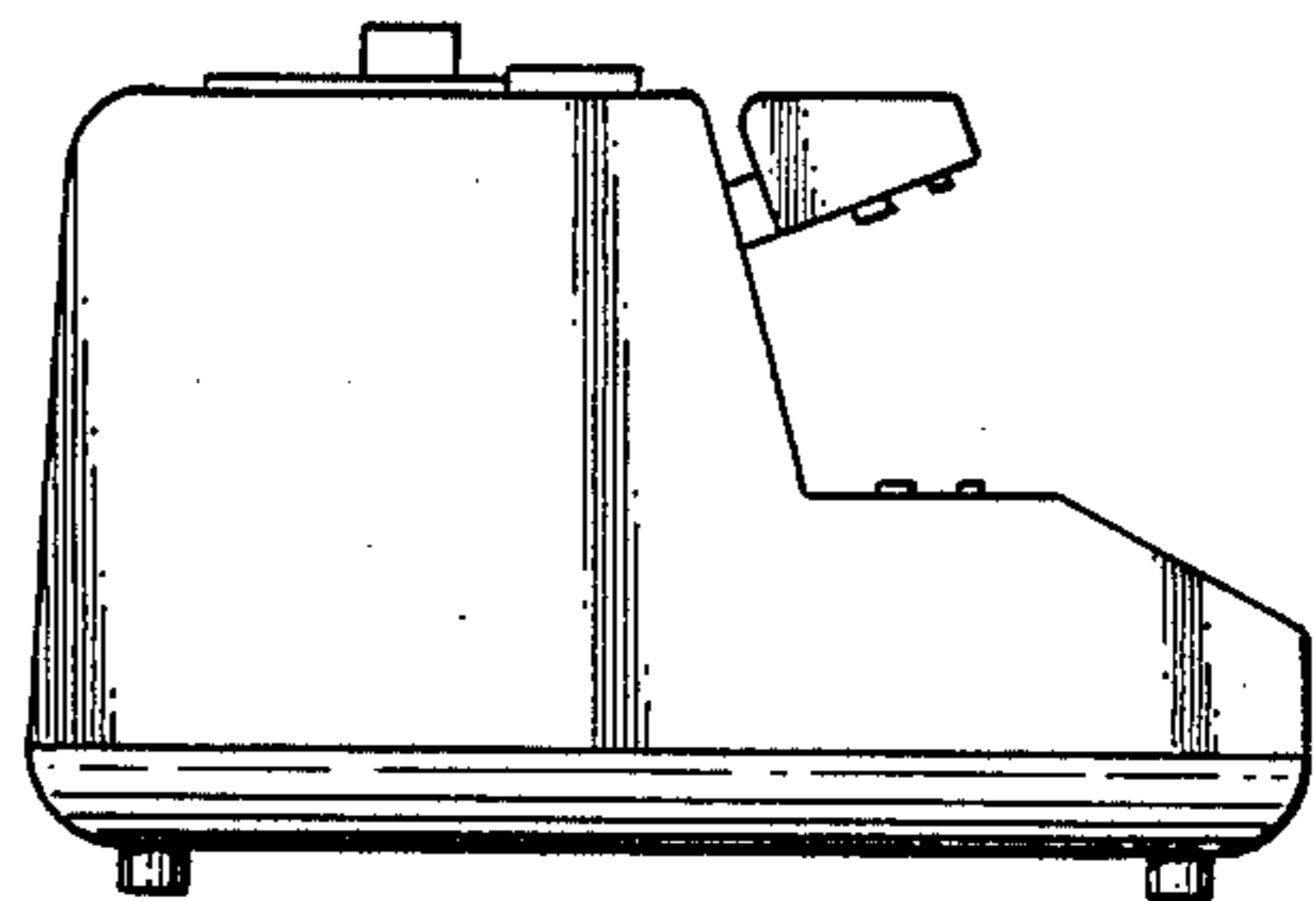


FIG. 6

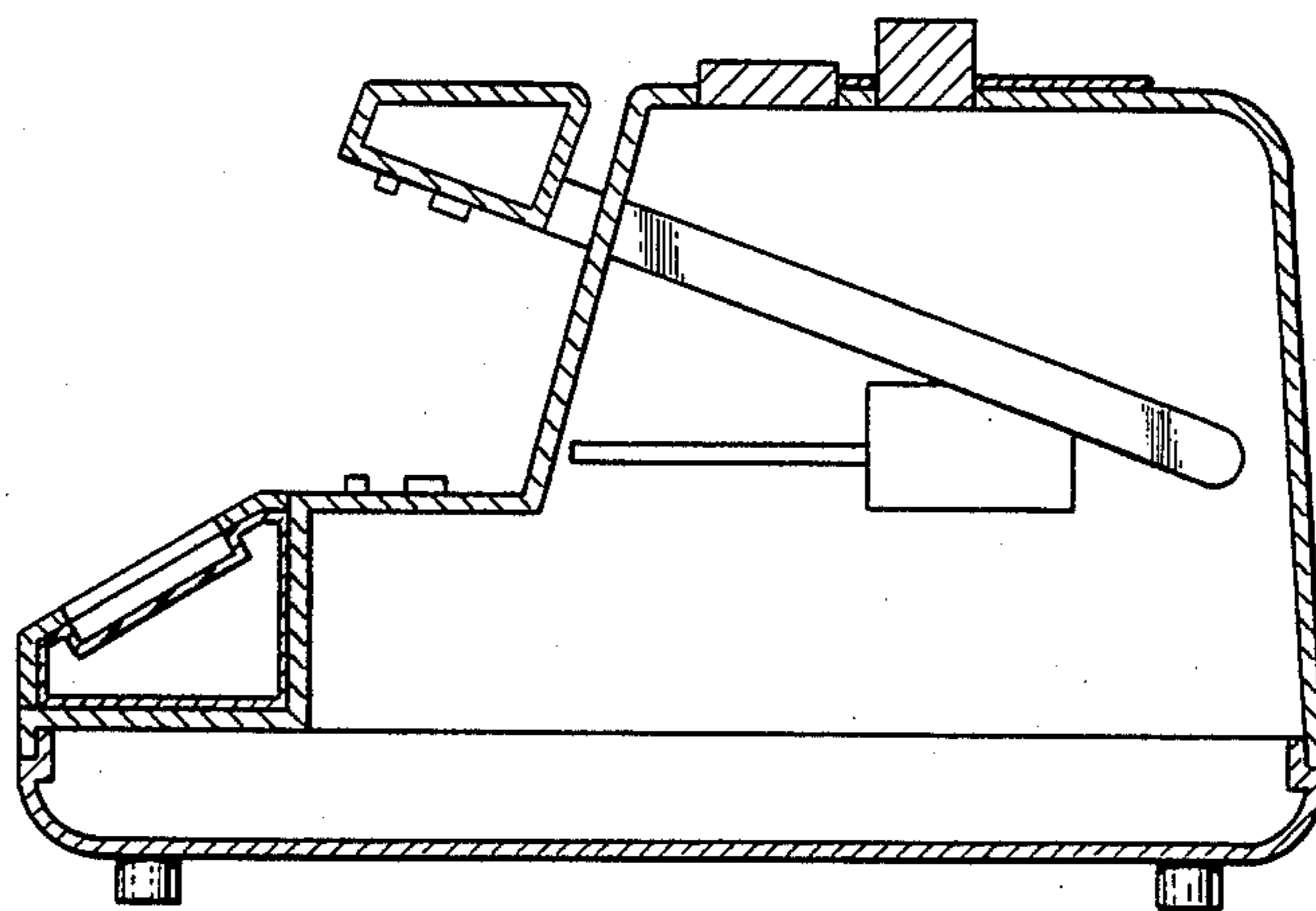


FIG. 7