

[54] **SEWING MACHINE**
[75] **Inventors: Roger H. Ramsey, Wadsworth; Dale A. Panasewicz, Parma, both of Ohio**
[73] **Assignee: Fritz Gegauf Aktiengesellschaft, Steckborn, Switzerland**
[**] **Term: 14 Years**
[21] **Appl. No.: 819,292**
[22] **Filed: Jan. 16, 1986**
[52] **U.S. Cl. D15/70**
[58] **Field of Search D15/66-77; 112/258-261, 63**

D. 289,053 3/1987 Kuroki D15/69

Primary Examiner—Melvin B. Feifer
Attorney, Agent, or Firm—Birch, Stewart, Kolasch & Birch

[57] **CLAIM**

The ornamental design for a sewing machine, as shown and described.

DESCRIPTION

FIG. 1 is a perspective view of the sewing machine showing our new design;
FIG. 2 is a left side view of the sewing machine;
FIG. 3 is a right side view of the sewing machine;
FIG. 4 is a front end view of the sewing machine with the detailing on the right side omitted for ease of illustration;
FIG. 5 is a rear end view of the sewing machine; and
FIG. 6 is a top plan view of the sewing machine.

[56] **References Cited**
U.S. PATENT DOCUMENTS
D. 276,163 10/1984 Ramsey et al. D15/69
D. 277,102 1/1985 Kuroki D15/70

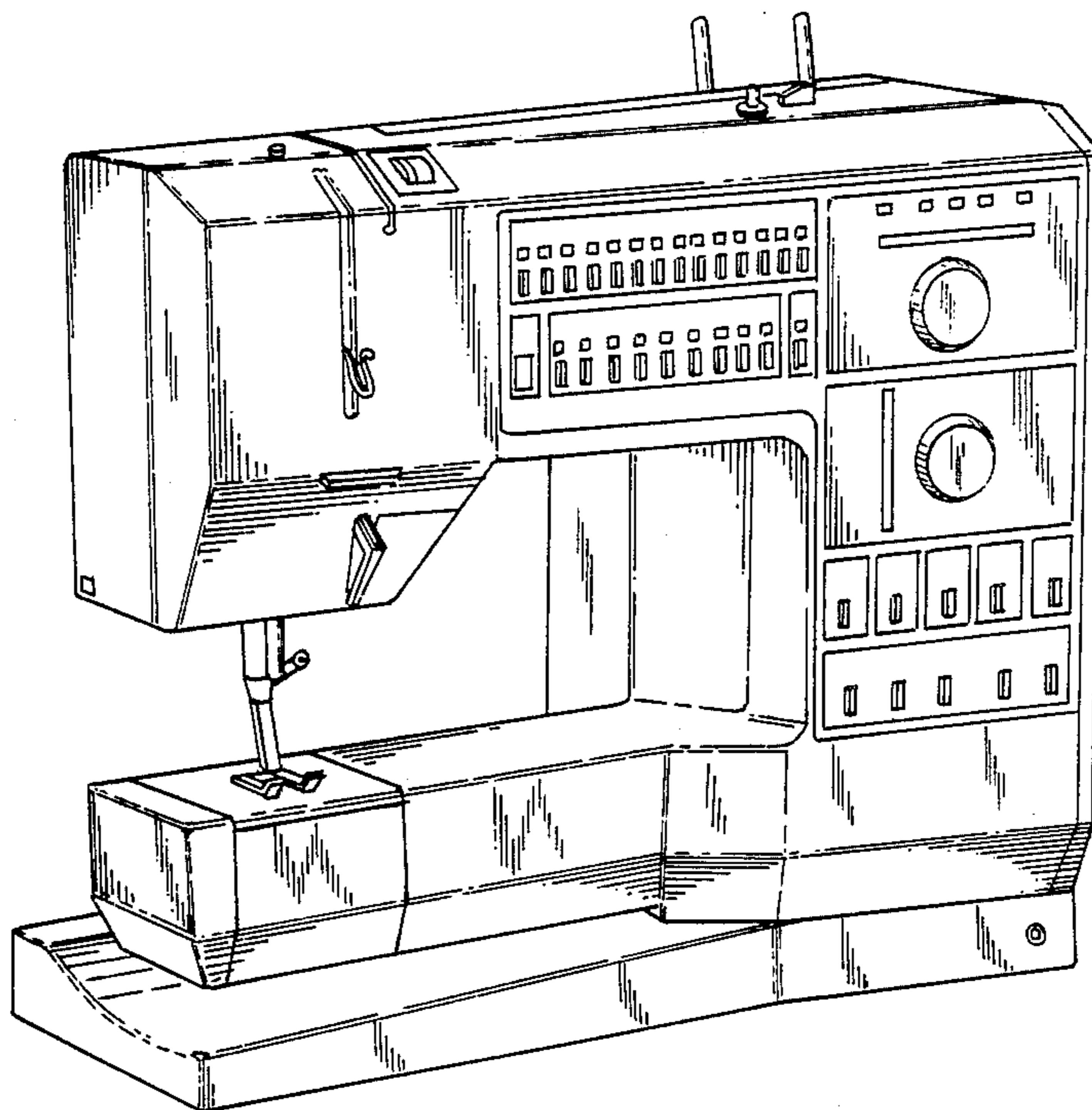


FIG. 1

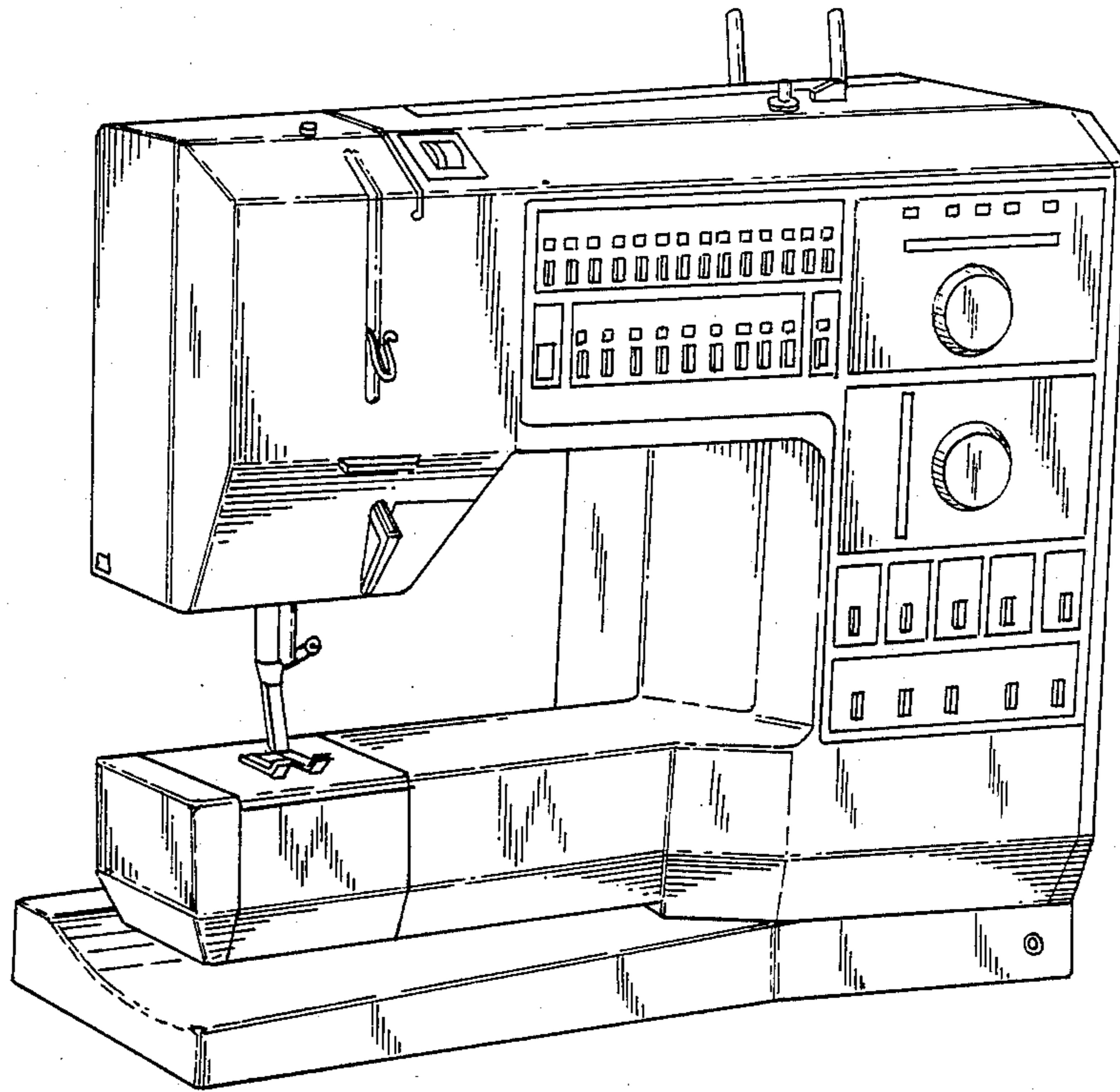


FIG. 6

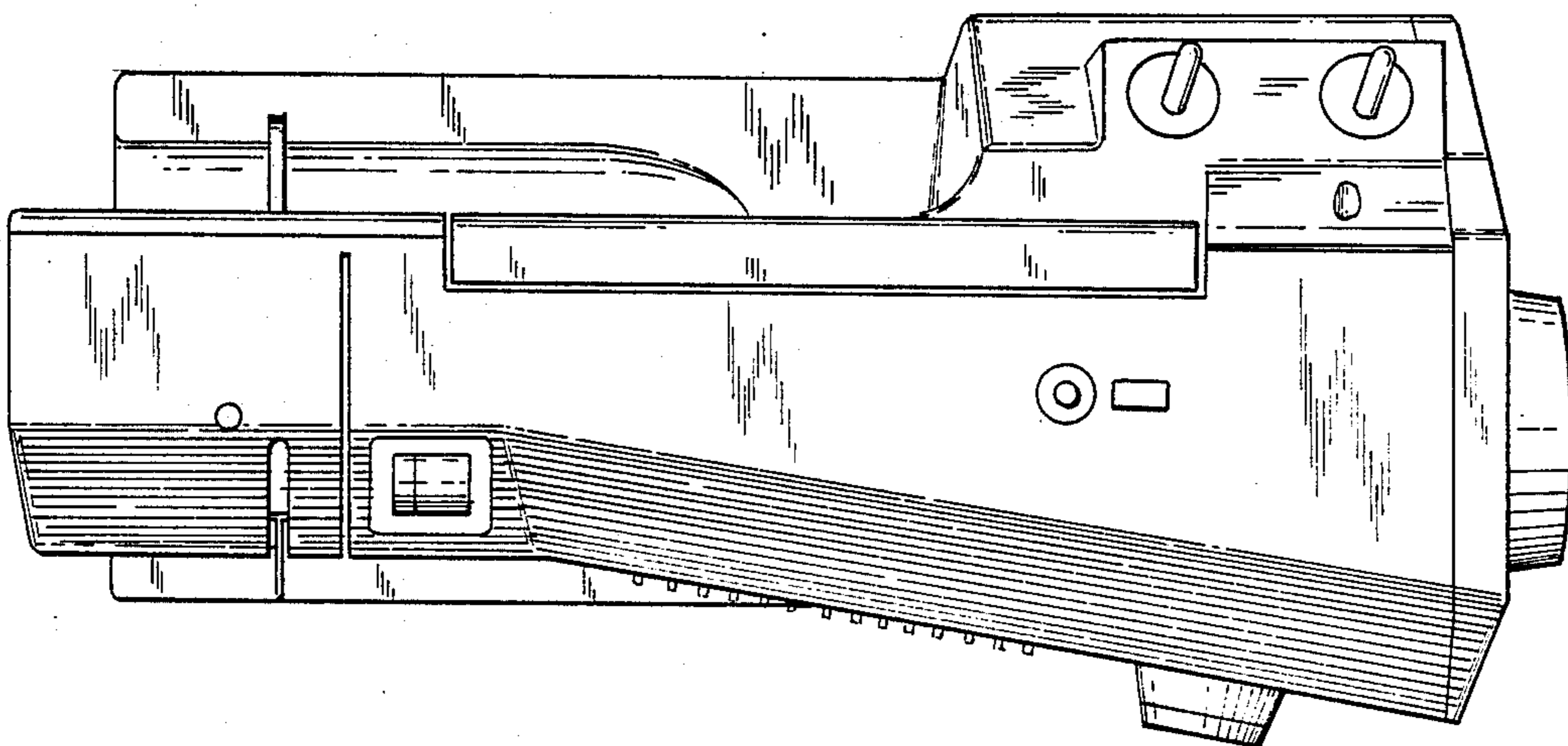


FIG. 2

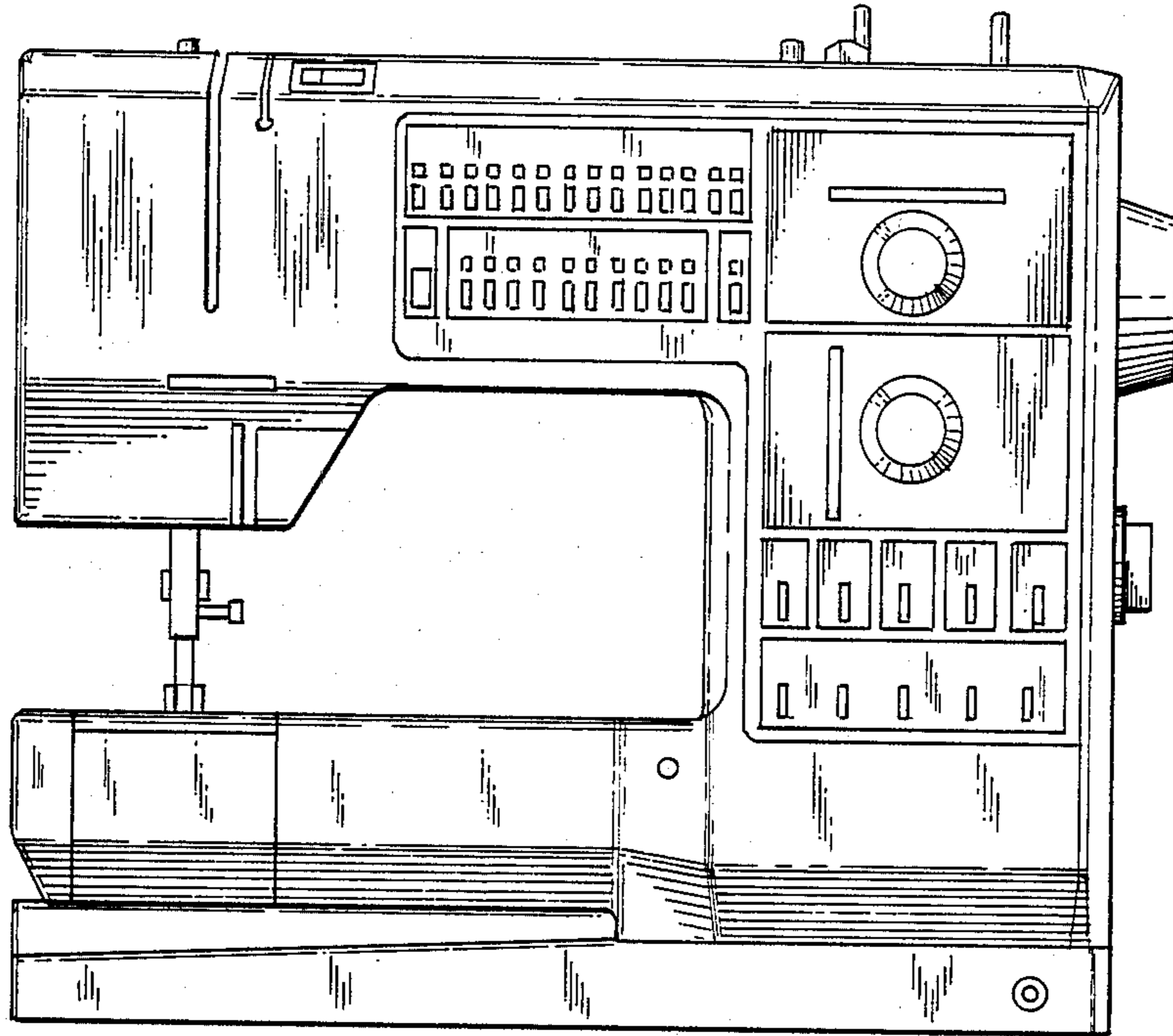


FIG. 3

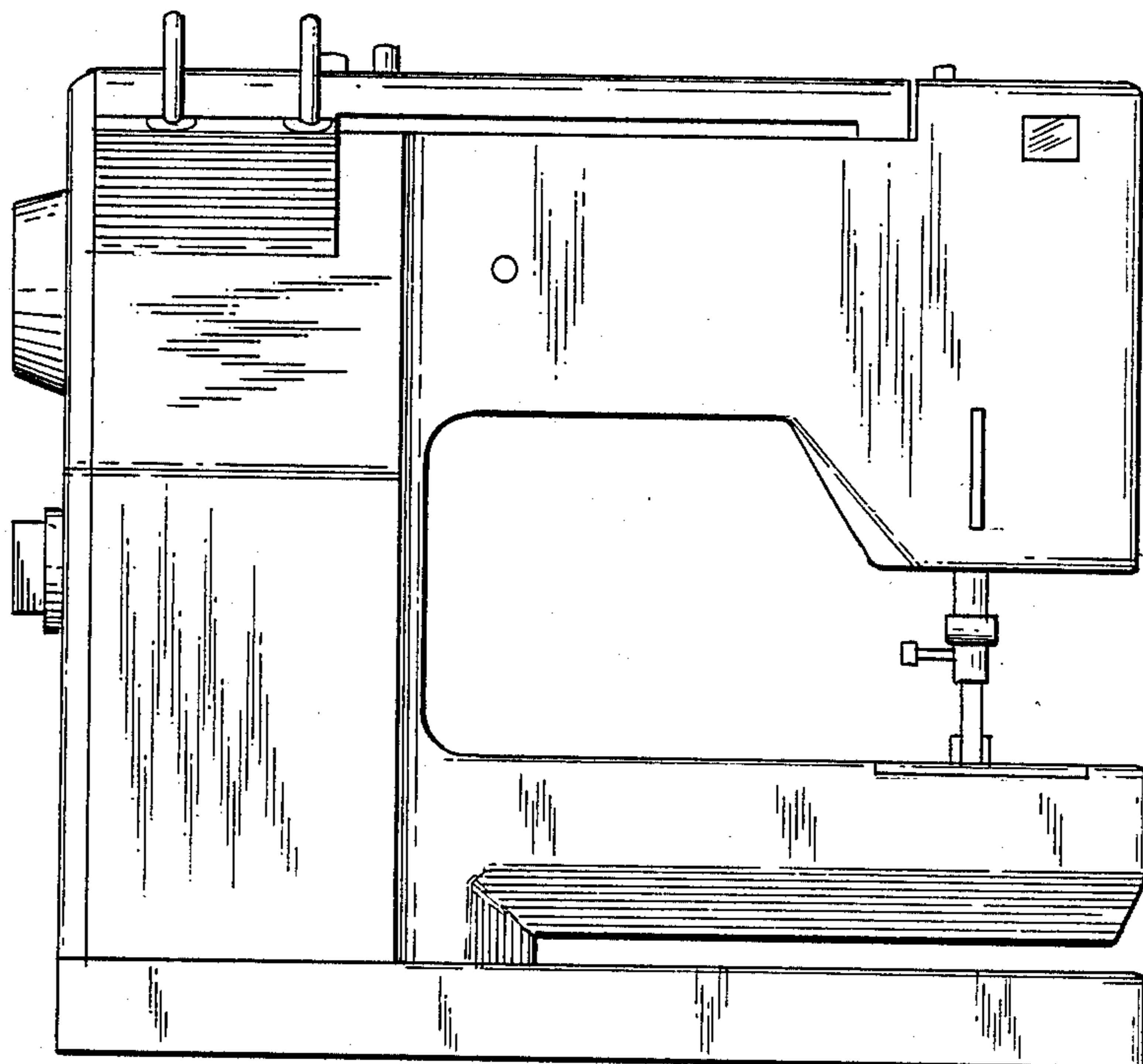


FIG. 4

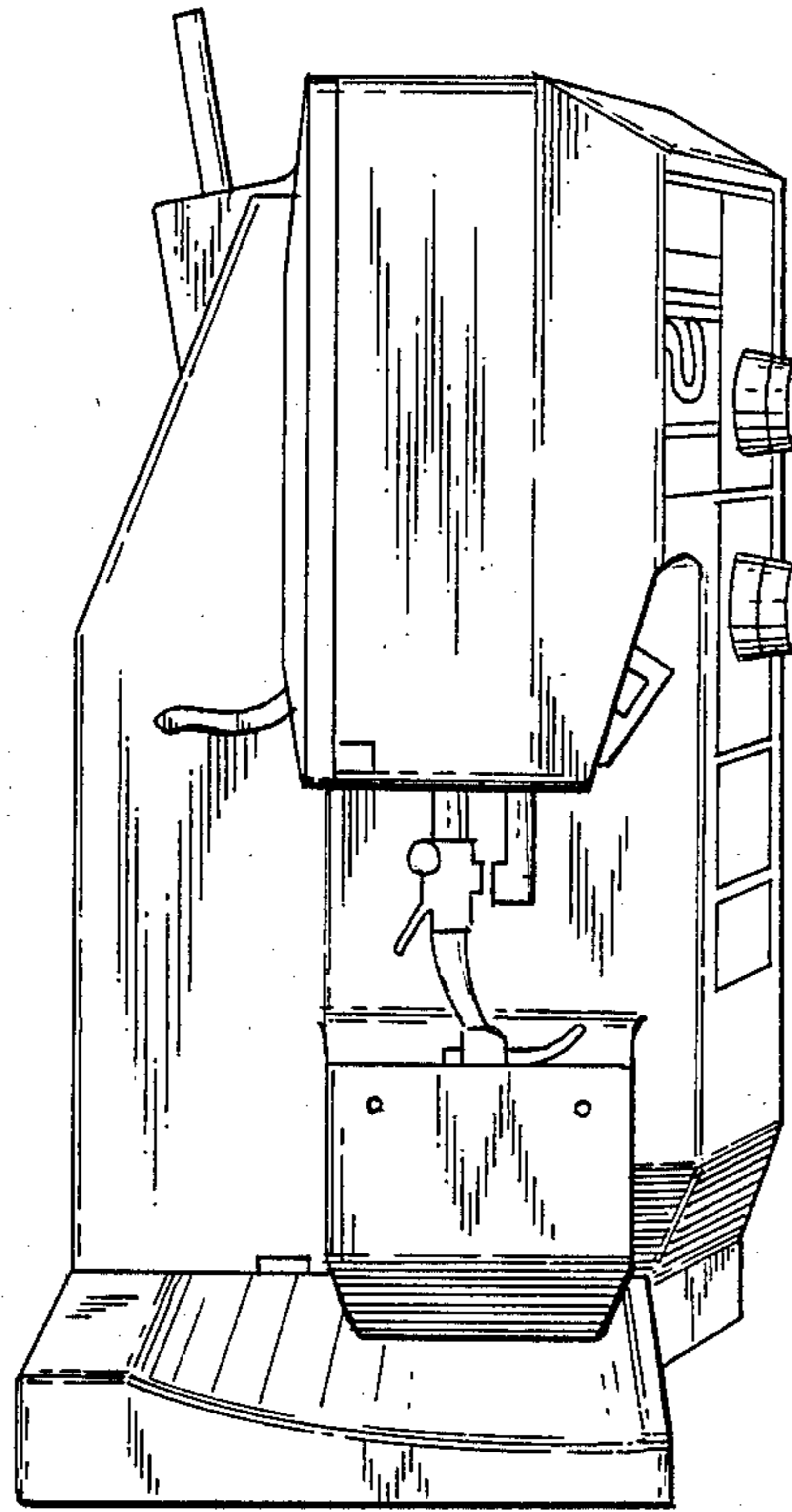


FIG. 5

