

# United States Patent [19]

Shibayama et al.

[11] Patent Number: **Des. 298,755**

[45] Date of Patent: **\*\* Nov. 29, 1988**

[54] SEWING MACHINE

[75] Inventors: **Ichirou Shibayama, Hyogo; Tetsuya Aono; Mitsuru Oomura, both of Osaka, all of Japan**

[73] Assignee: **Maruzen Sewing Machine Co., Ltd., Osaka, Japan**

[\*\*] Term: **14 Years**

[21] Appl. No.: **870,331**

[22] Filed: **Jun. 3, 1986**

[30] Foreign Application Priority Data

Dec. 11, 1985 [JP] Japan ..... 60-51627

[52] U.S. Cl. .... **D15/69**

[58] Field of Search ..... **D15/66-77; 112/258-261**

[56] References Cited

### U.S. PATENT DOCUMENTS

D. 276,237 11/1984 Yoneda ..... D15/70  
D. 276,345 11/1984 Yoneda ..... D15/70  
D. 291,999 9/1987 Yoneda ..... D15/69

*Primary Examiner*—Melvin B. Feifer  
*Attorney, Agent, or Firm*—Lowe, Price, LeBlanc, Becker & Shur

[57] CLAIM

The ornamental design for a sewing machine, as shown.

### DESCRIPTION

FIG. 1 is a plan view of a sewing machine showing our new design;

FIG. 2 is a front view thereof;

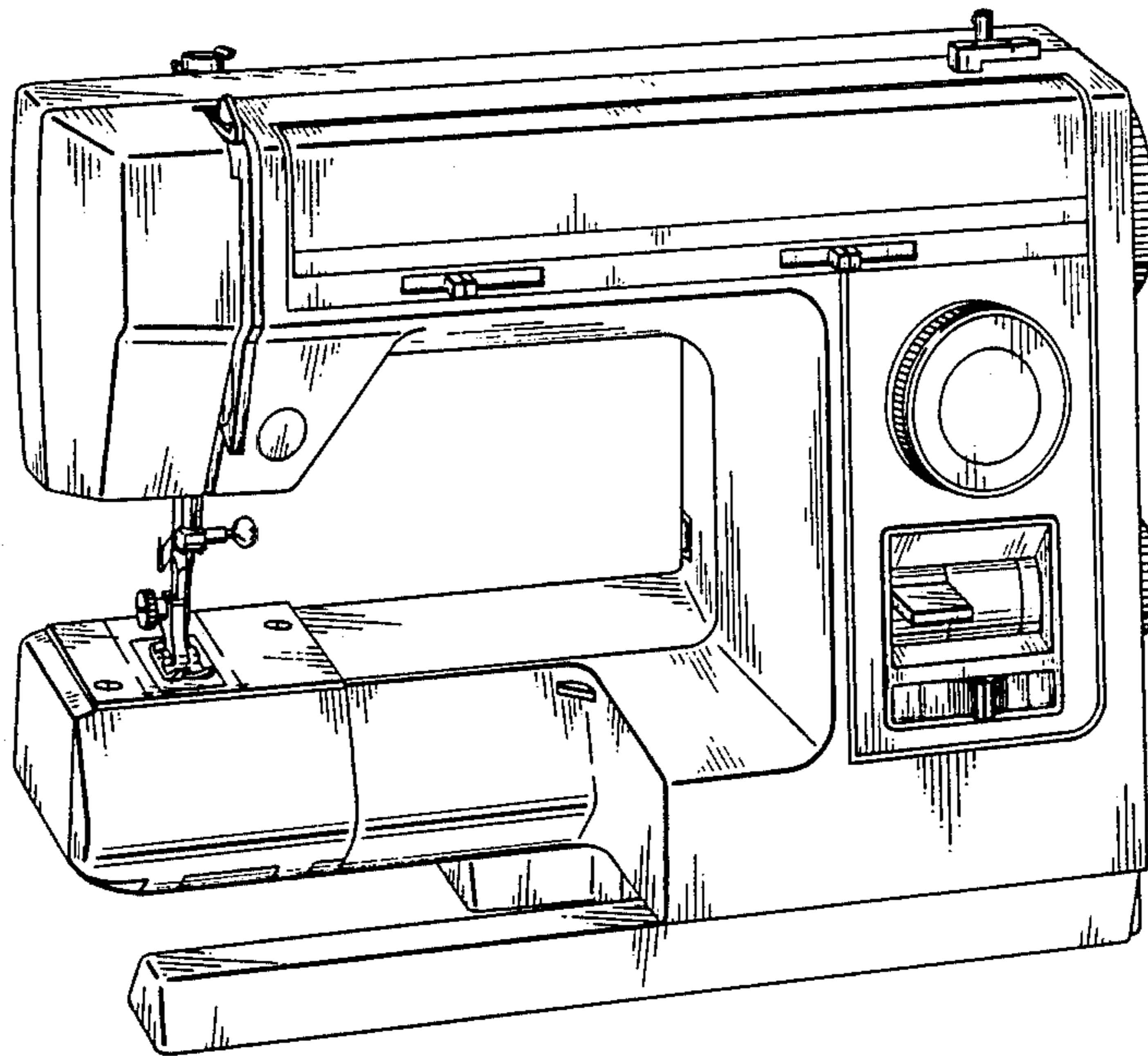
FIG. 3 is a bottom view thereof;

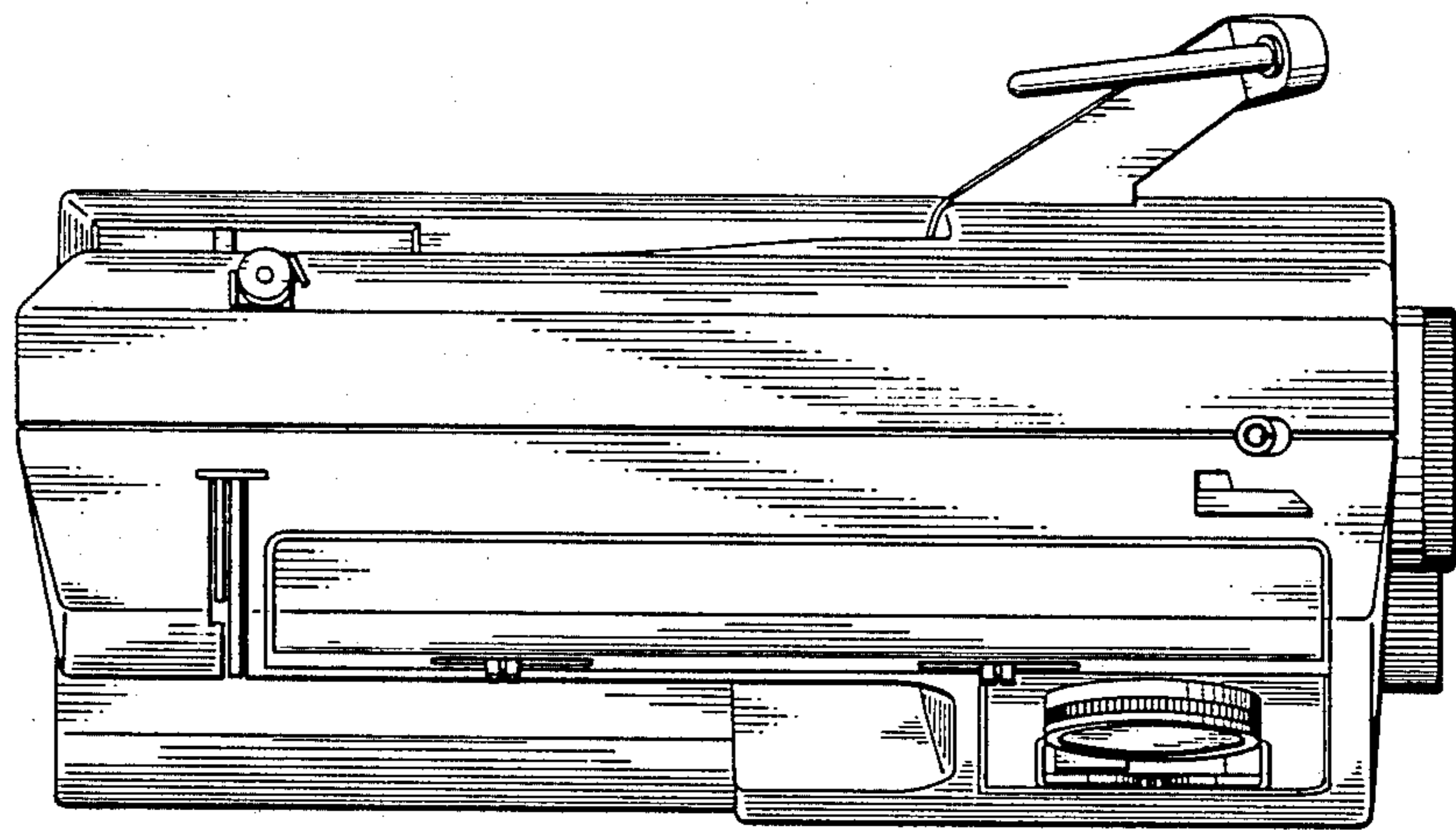
FIG. 4 is a rear view thereof;

FIG. 5 is a left side view thereof;

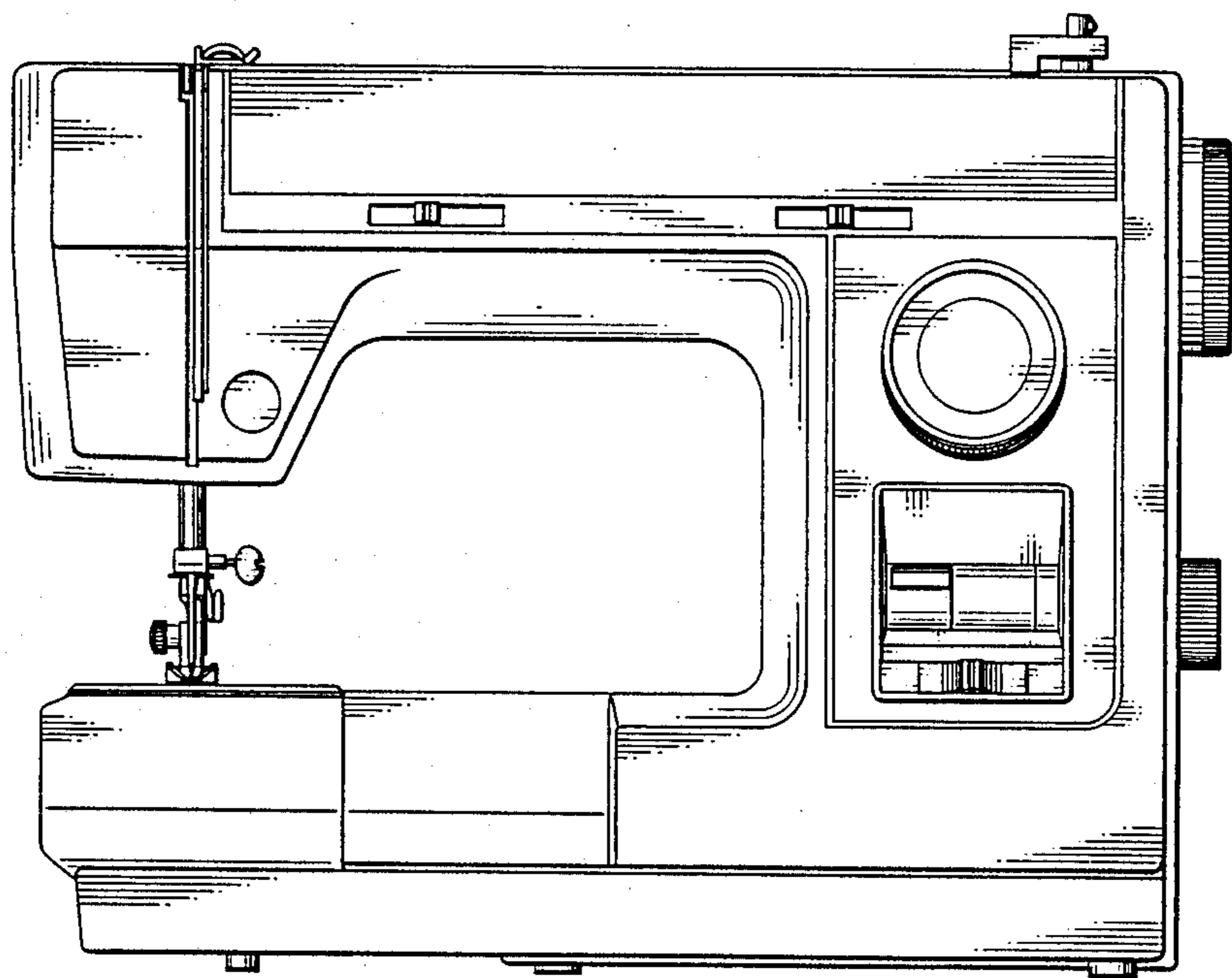
FIG. 6 is a right side view thereof; and

FIG. 7 is a front perspective view thereof.

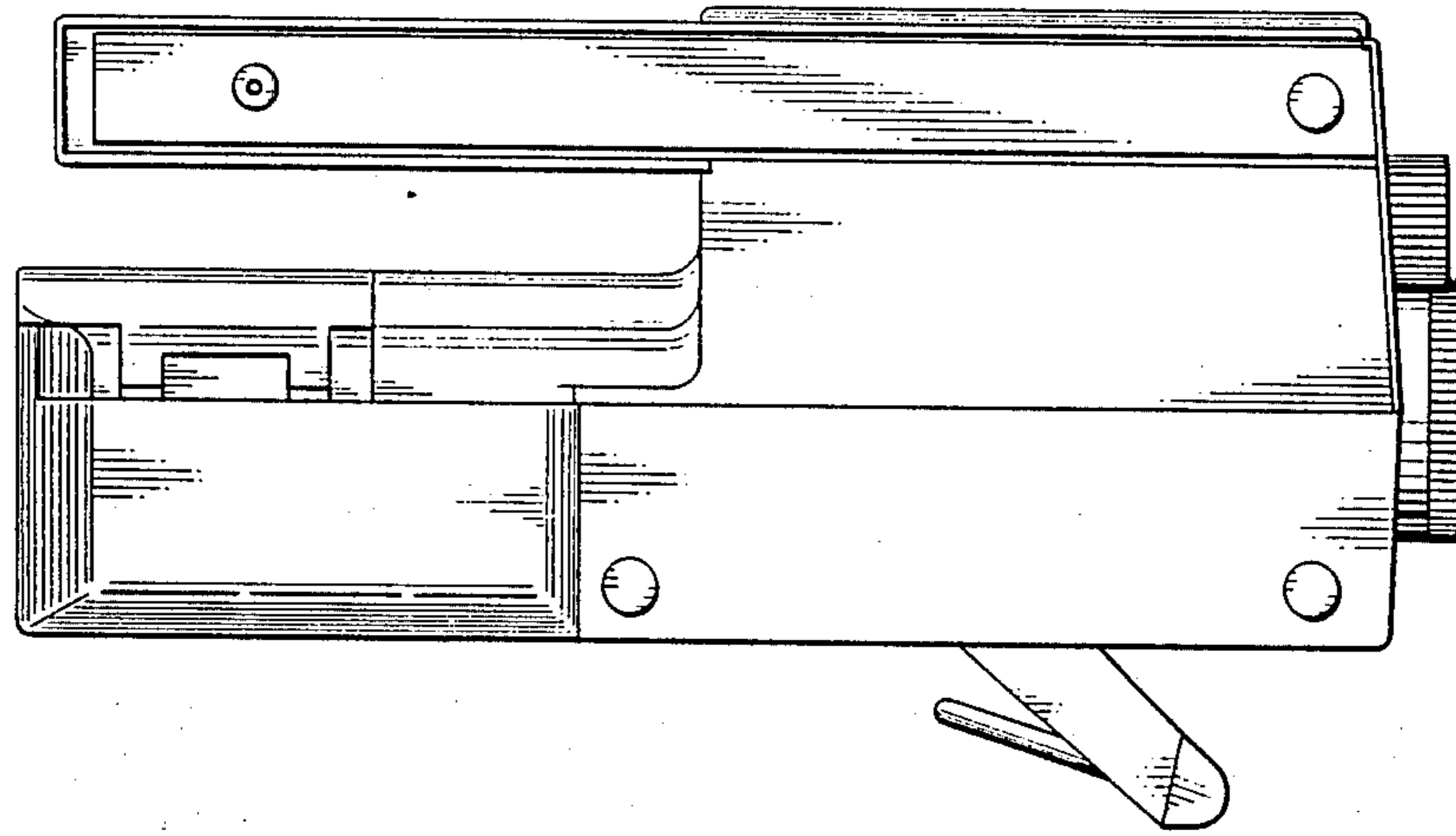




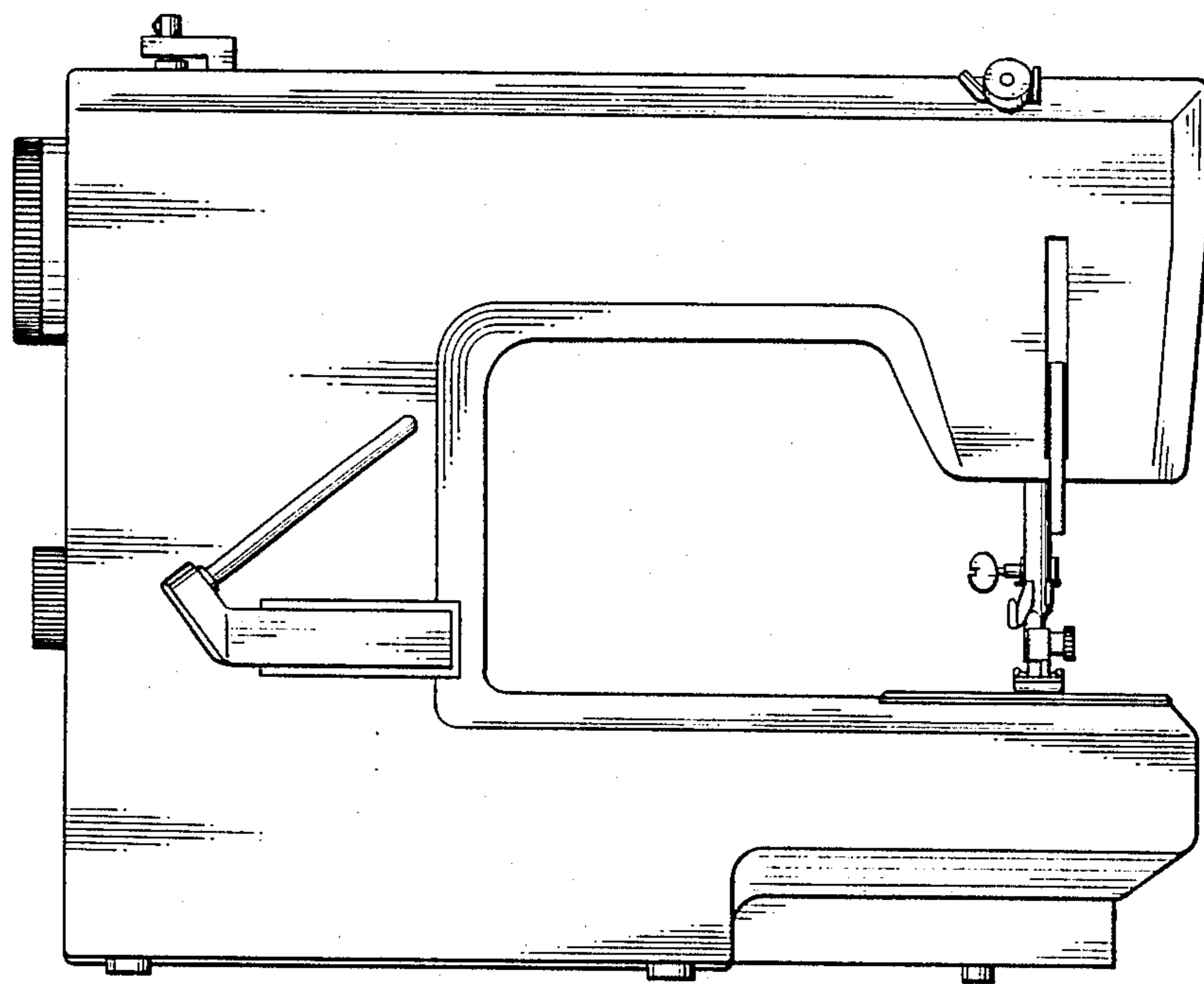
*Fig. 1.*



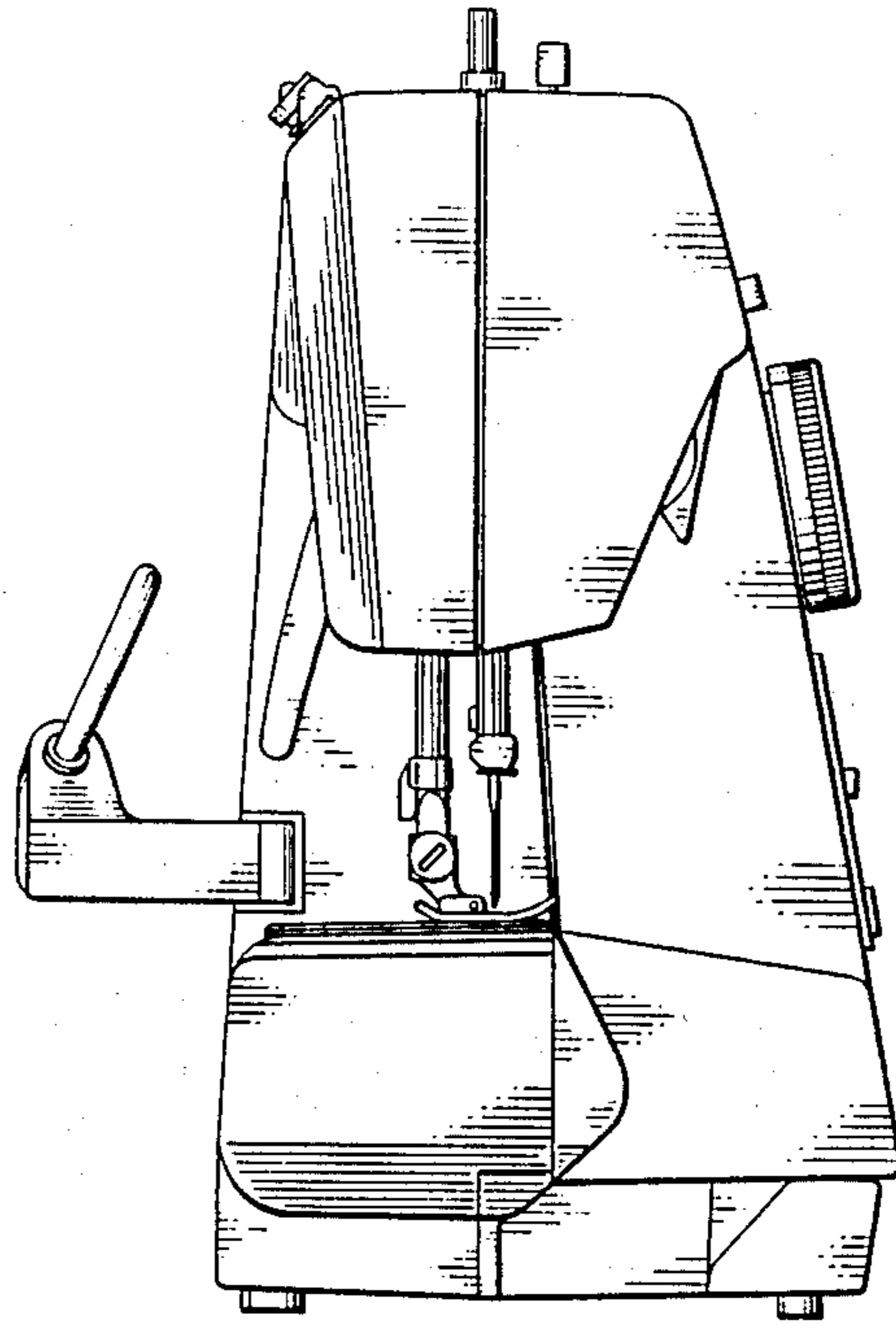
*Fig. 2.*



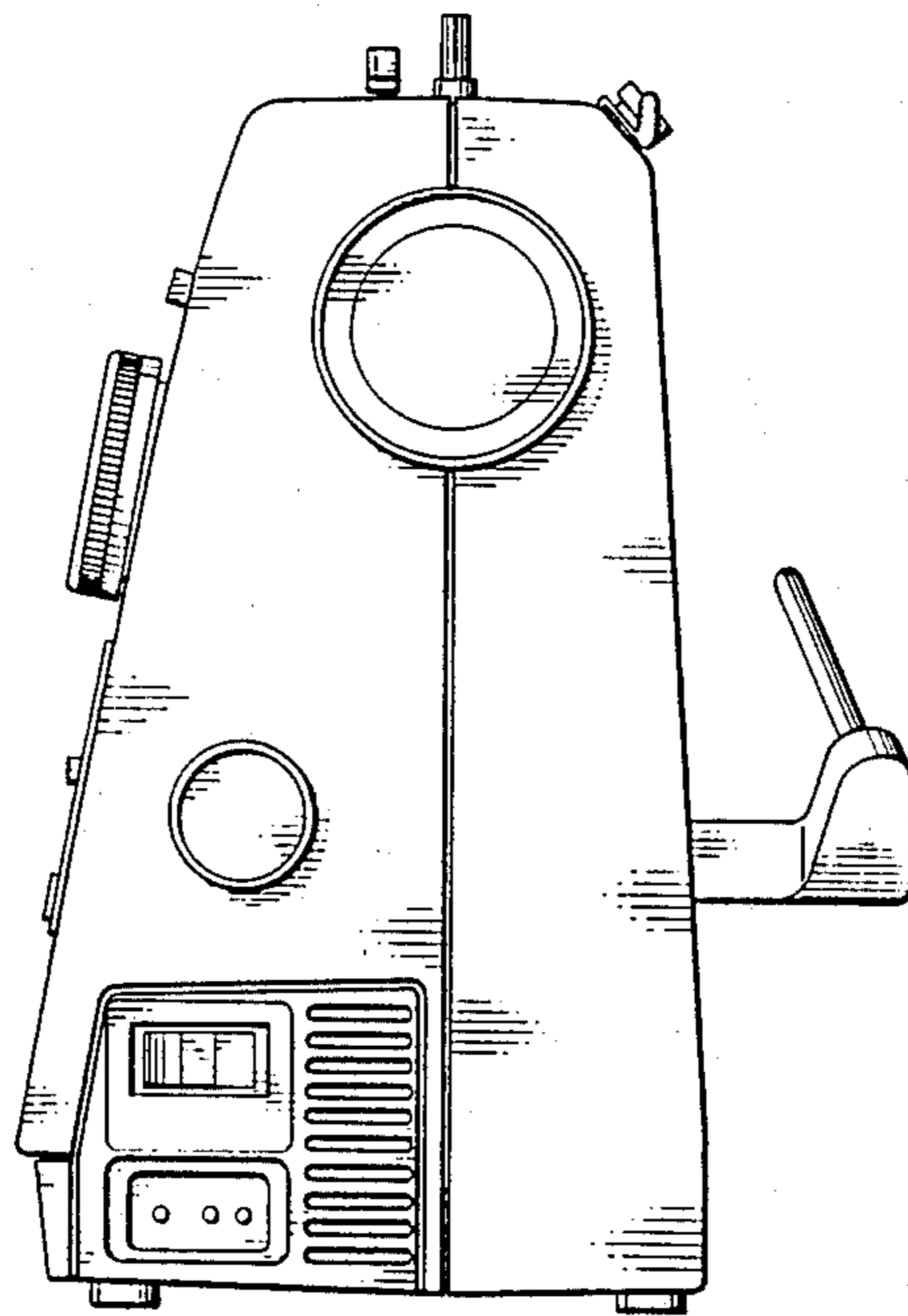
*Fig. 3.*



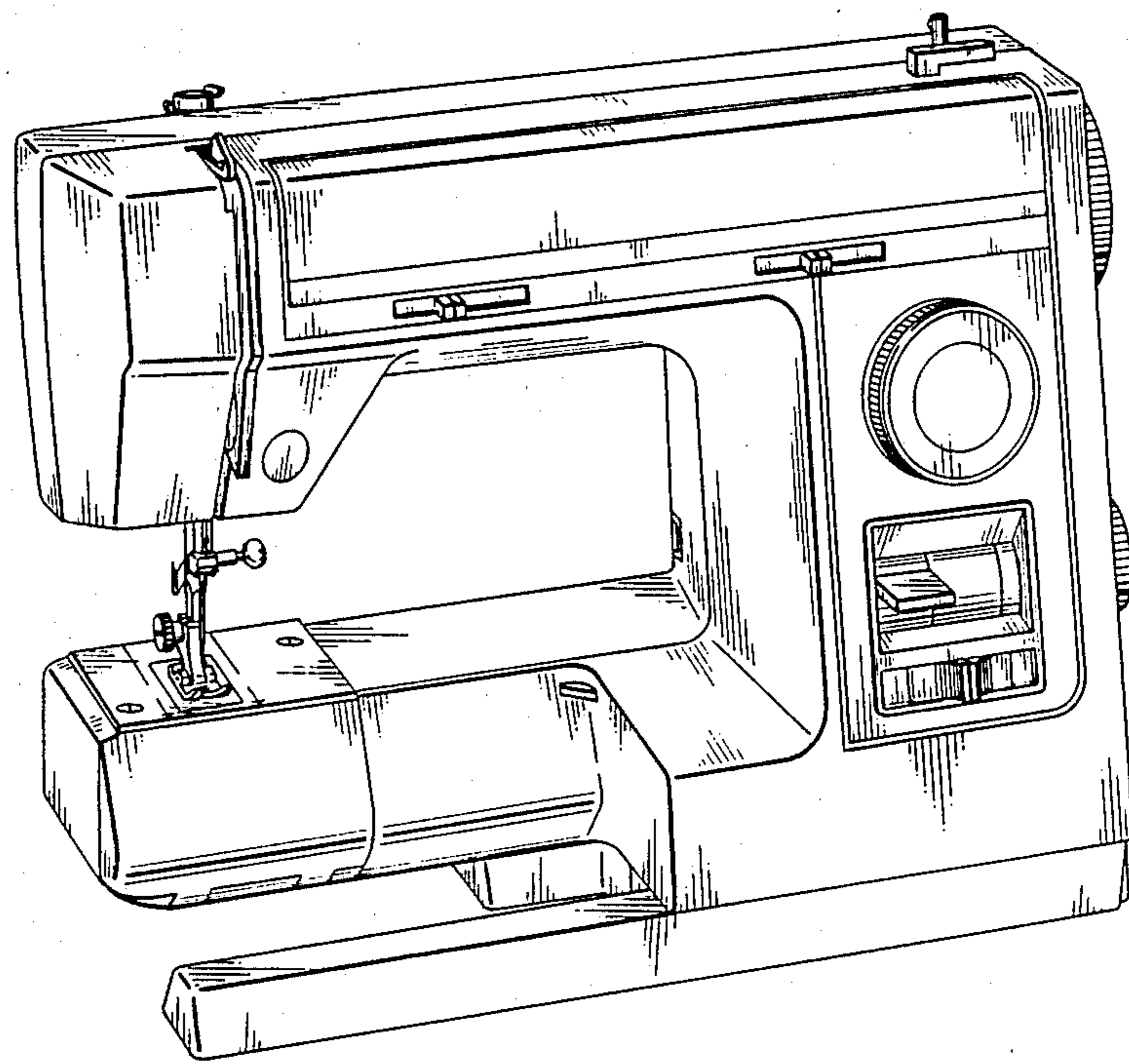
*Fig. 4.*



*Fig. 5.*



*Fig. 6.*



*Fig. 7.*