

[54] CARBON DIOXIDE COMPRESSING GENERATOR FOR DRY ICE MANUFACTURE

[75] Inventor: John Broeils, Wyckoff, N.J.

[73] Assignee: Maddak, Inc., Pequannock, N.J.

[\*\*] Term: 14 Years

[21] Appl. No.: 903,108

[22] Filed: Sep. 2, 1986

[52] U.S. Cl. .... D15/9; D15/79

[58] Field of Search ..... D15/79, 80, 81, 89, D15/9, 7; 62/467, 474, 498, 531, DIG. 2, 384, 134, 172; 417/229, 234, 321, 410-411, 572

[56] References Cited

U.S. PATENT DOCUMENTS

- 220,454 4/1971 Klopp ..... D15/9
- D. 291,577 8/1987 Kawaguchi ..... D15/79
- D. 293,249 12/1987 Milden ..... D15/9

OTHER PUBLICATIONS

Catalog 283-Bel-Art Products, Inc., p. 107.

Primary Examiner—Wallace R. Burke

Assistant Examiner—Ruth Takemoto

Attorney, Agent, or Firm—Anthony F. Cuoco

[57] CLAIM

The ornamental design for a carbon dioxide compressing generator for dry ice manufacture, as shown and described.

DESCRIPTION

FIG. 1 is a top plan view of a carbon dioxide compressing generator for dry ice manufacture showing my new design;

FIG. 2 is a right side elevational view thereof;

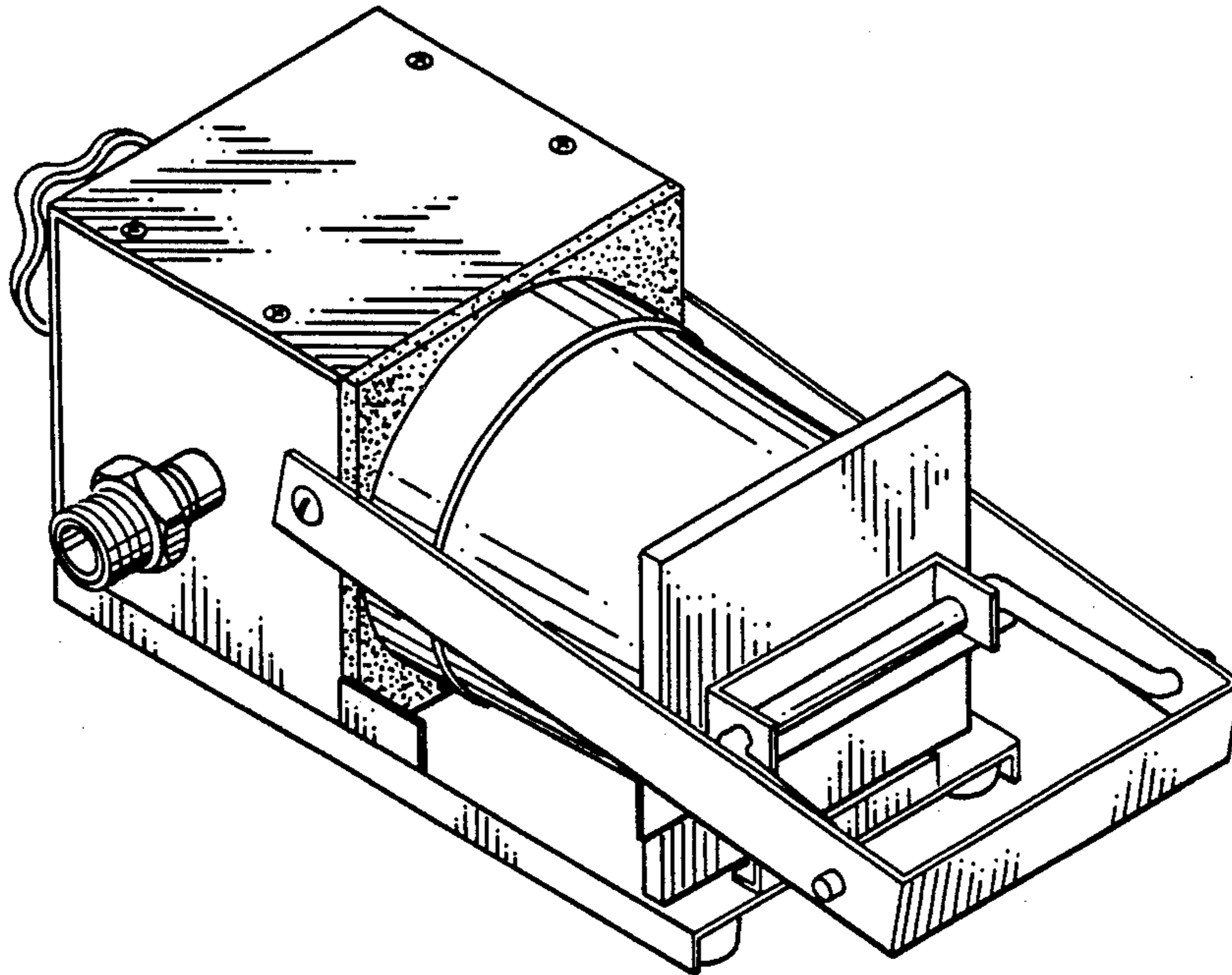
FIG. 3 is a left side elevational view thereof;

FIG. 4 is a right end elevational view thereof;

FIG. 5 is a left end elevational view thereof;

FIG. 6 is a bottom plan view thereof; and

FIG. 7 is a top, right end and right side perspective view thereof.



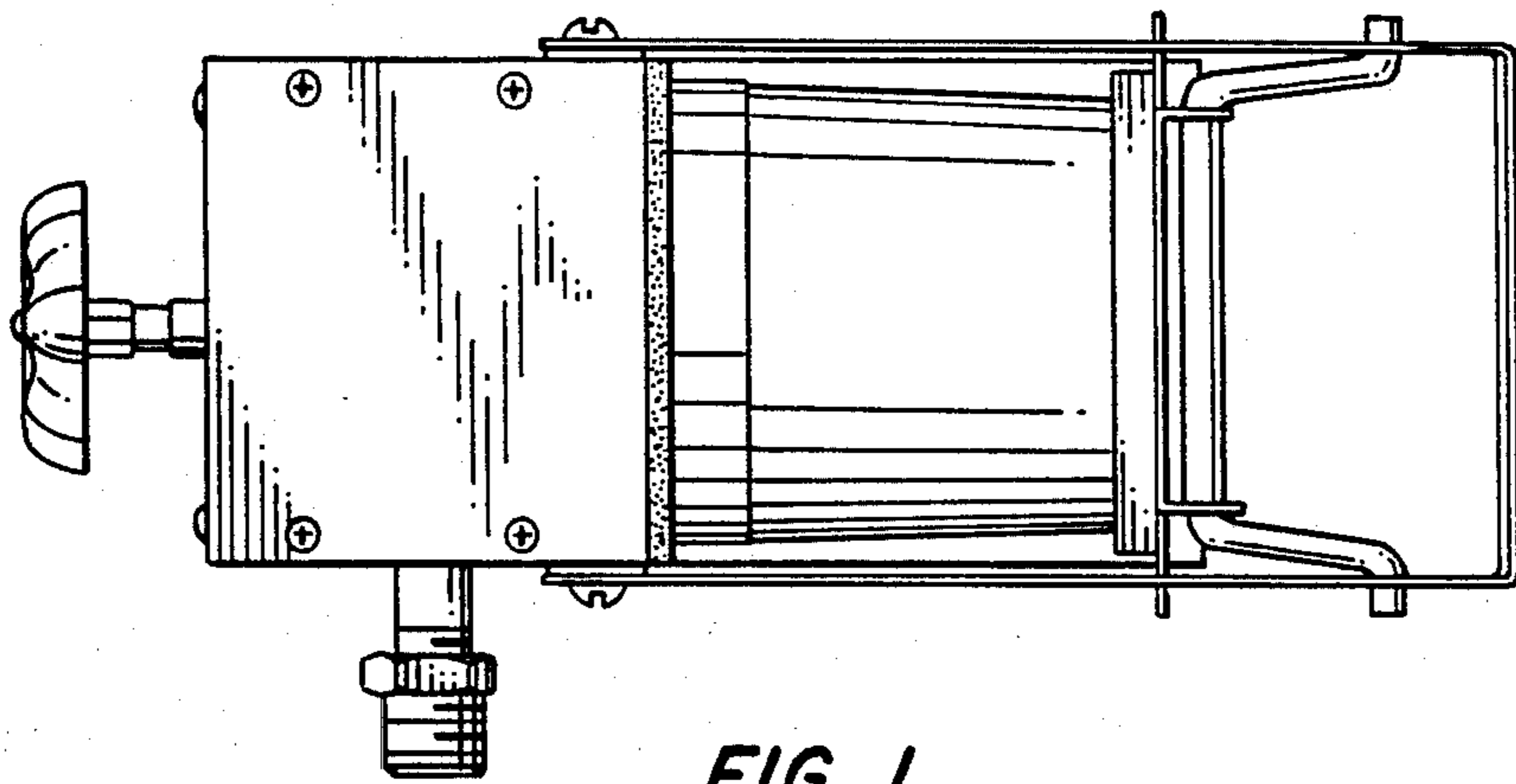


FIG. 1

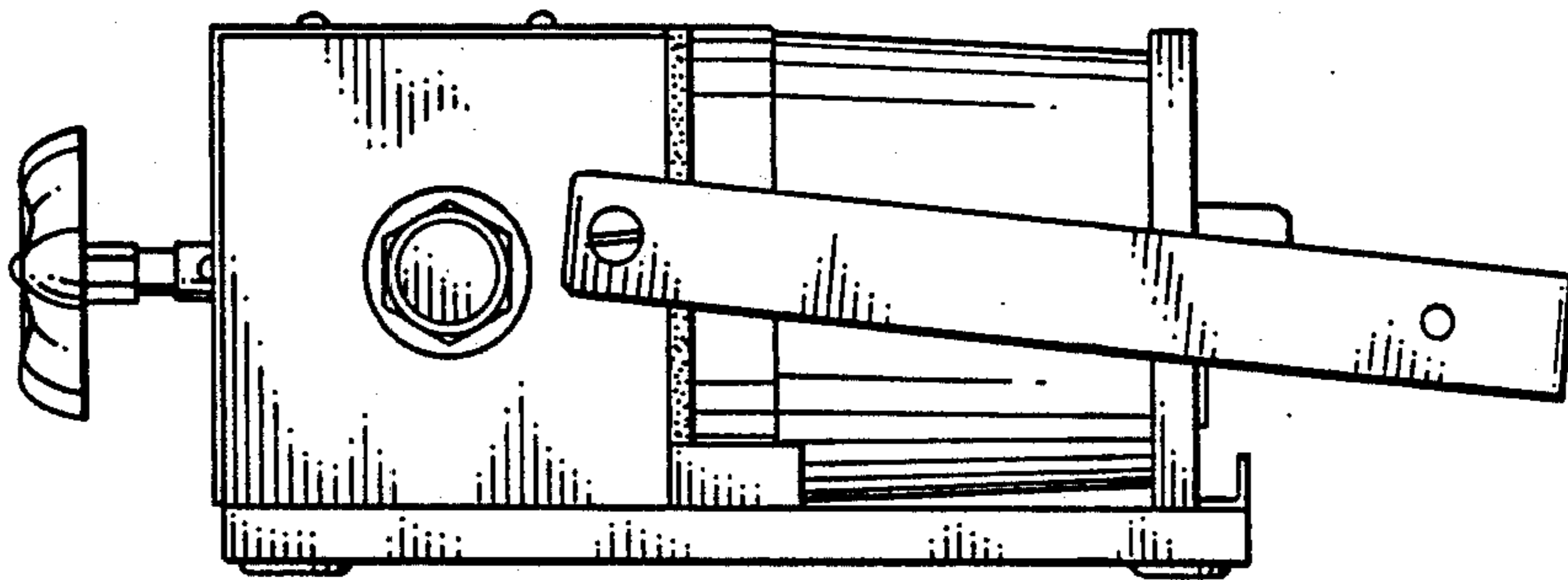


FIG. 2

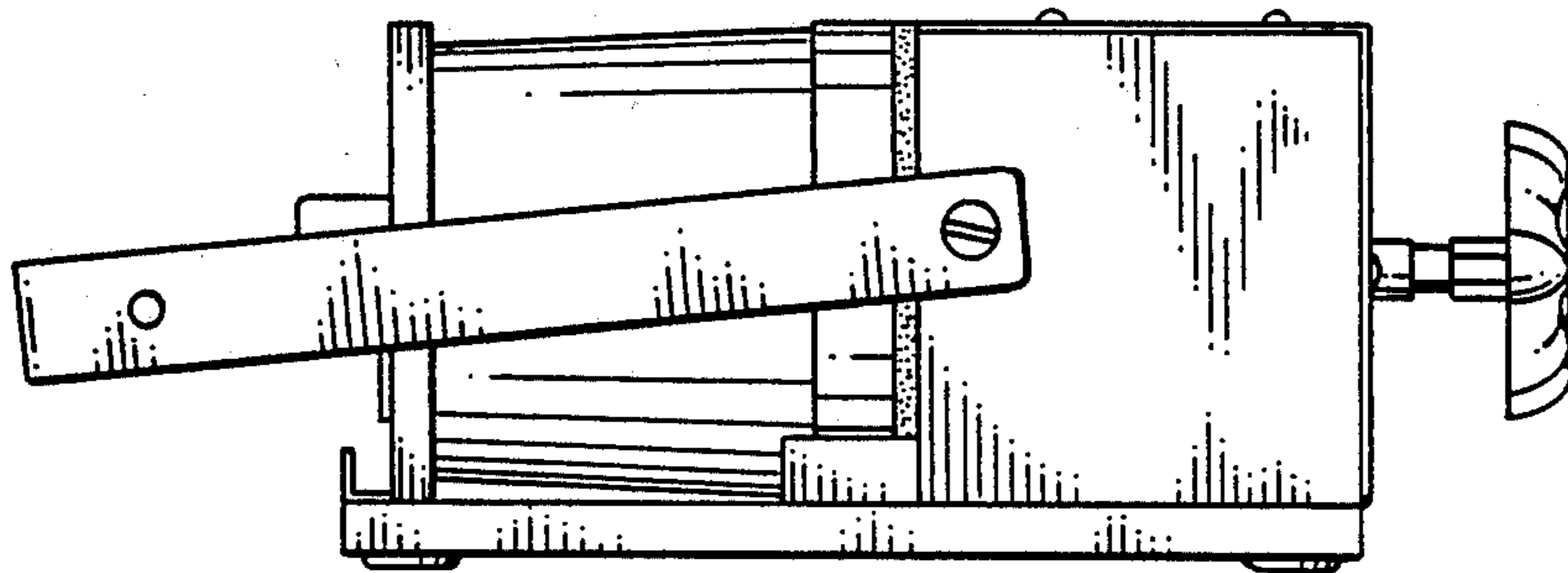


FIG. 3

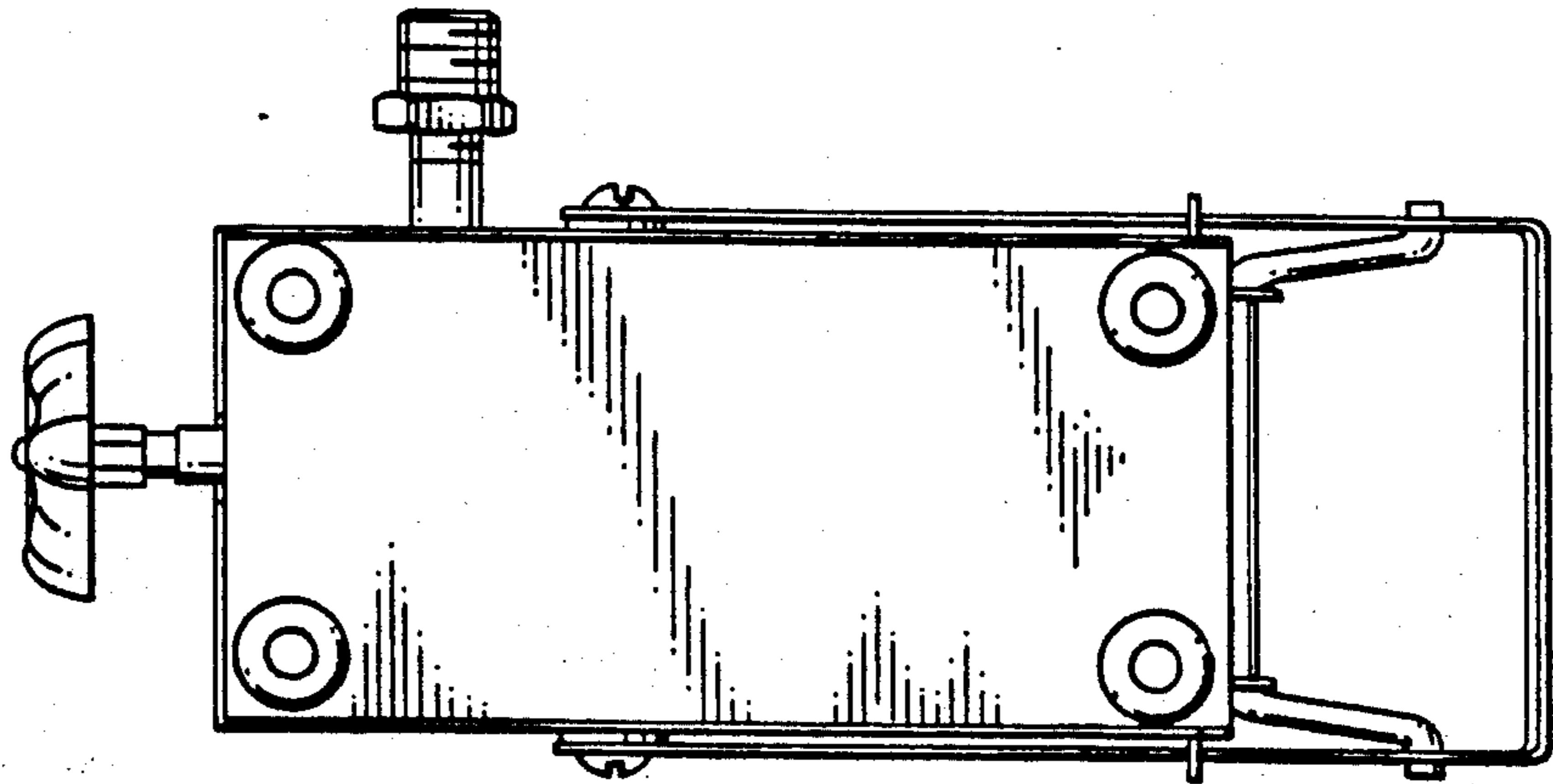


FIG. 6

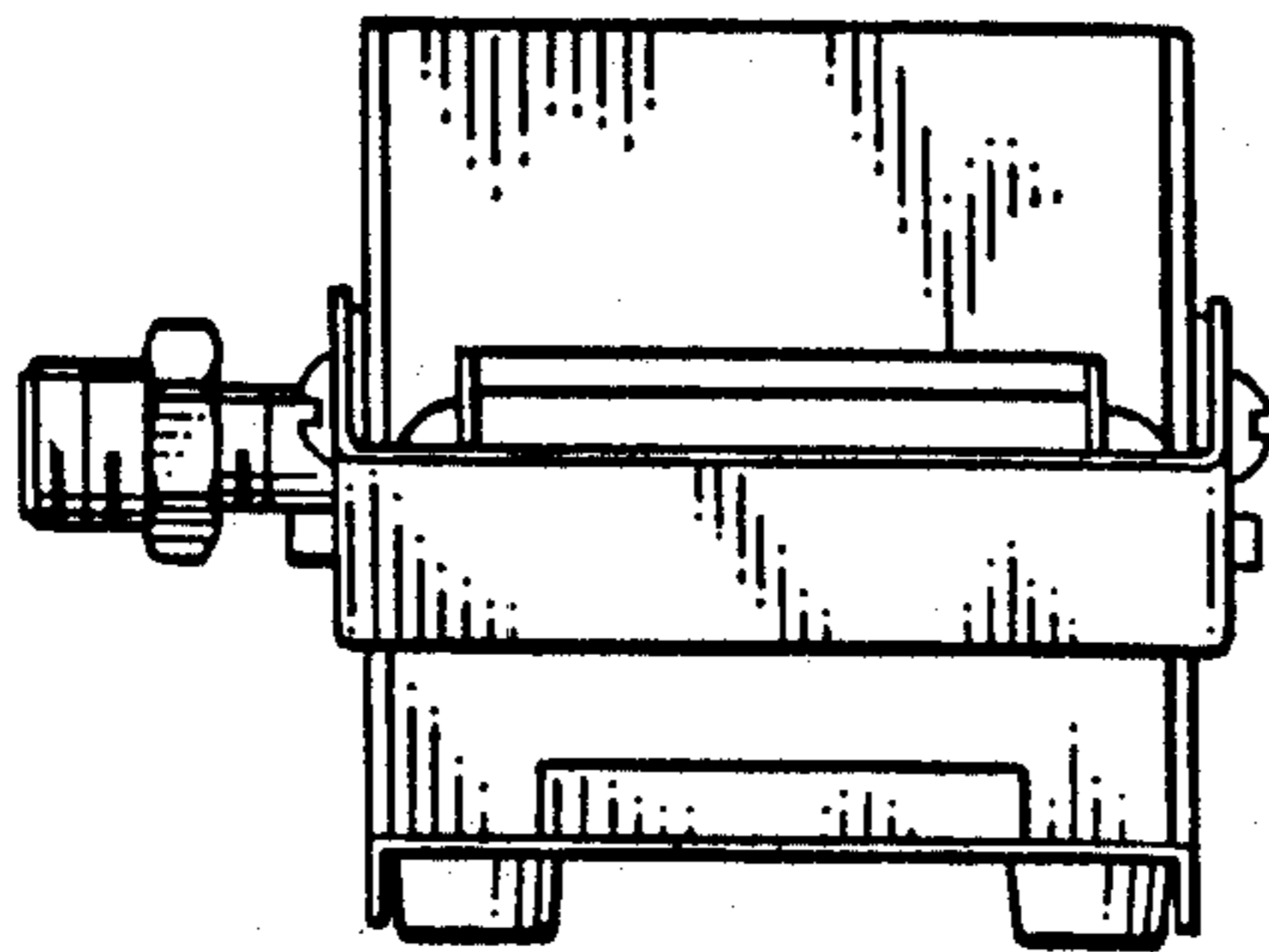


FIG. 4

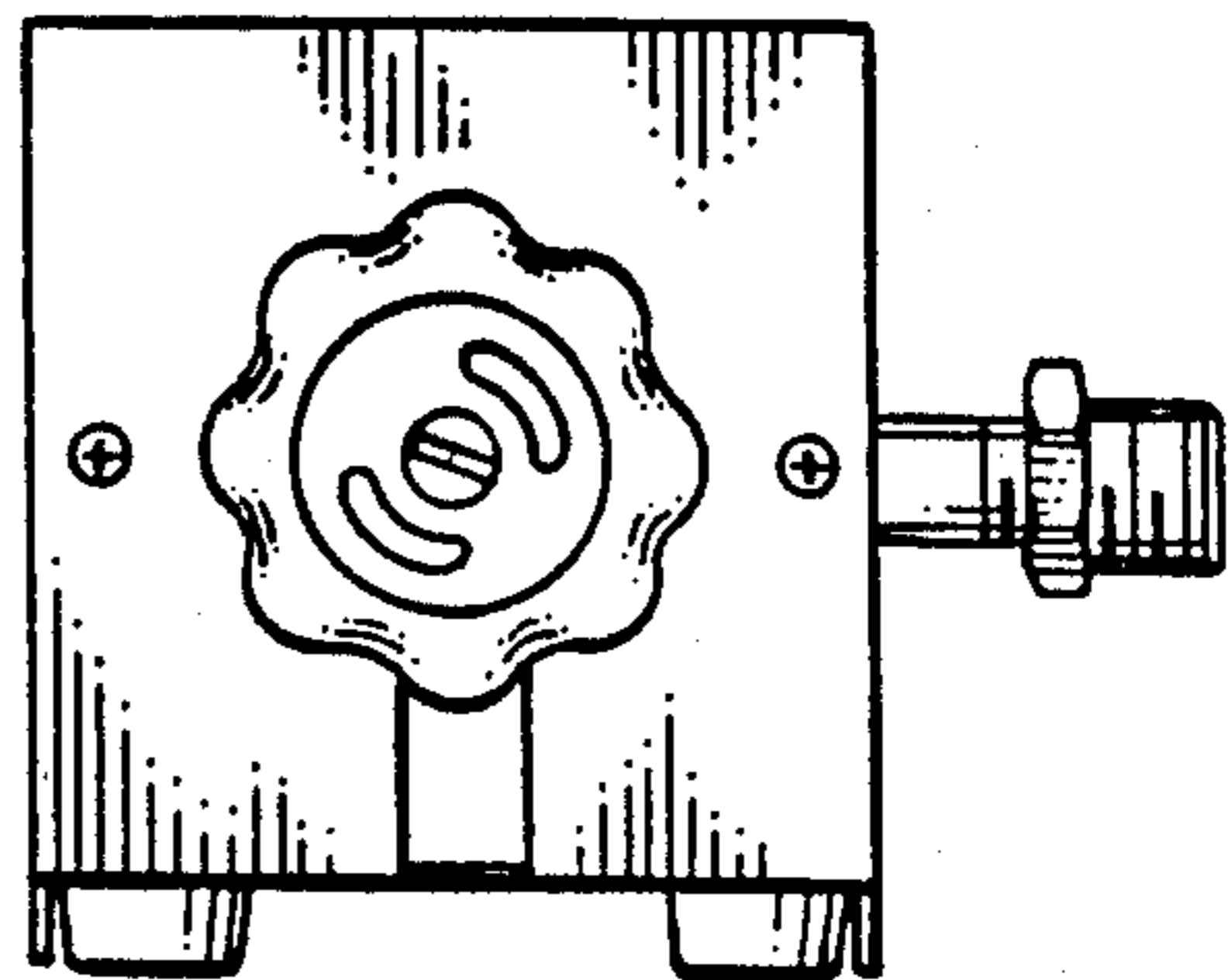


FIG. 5

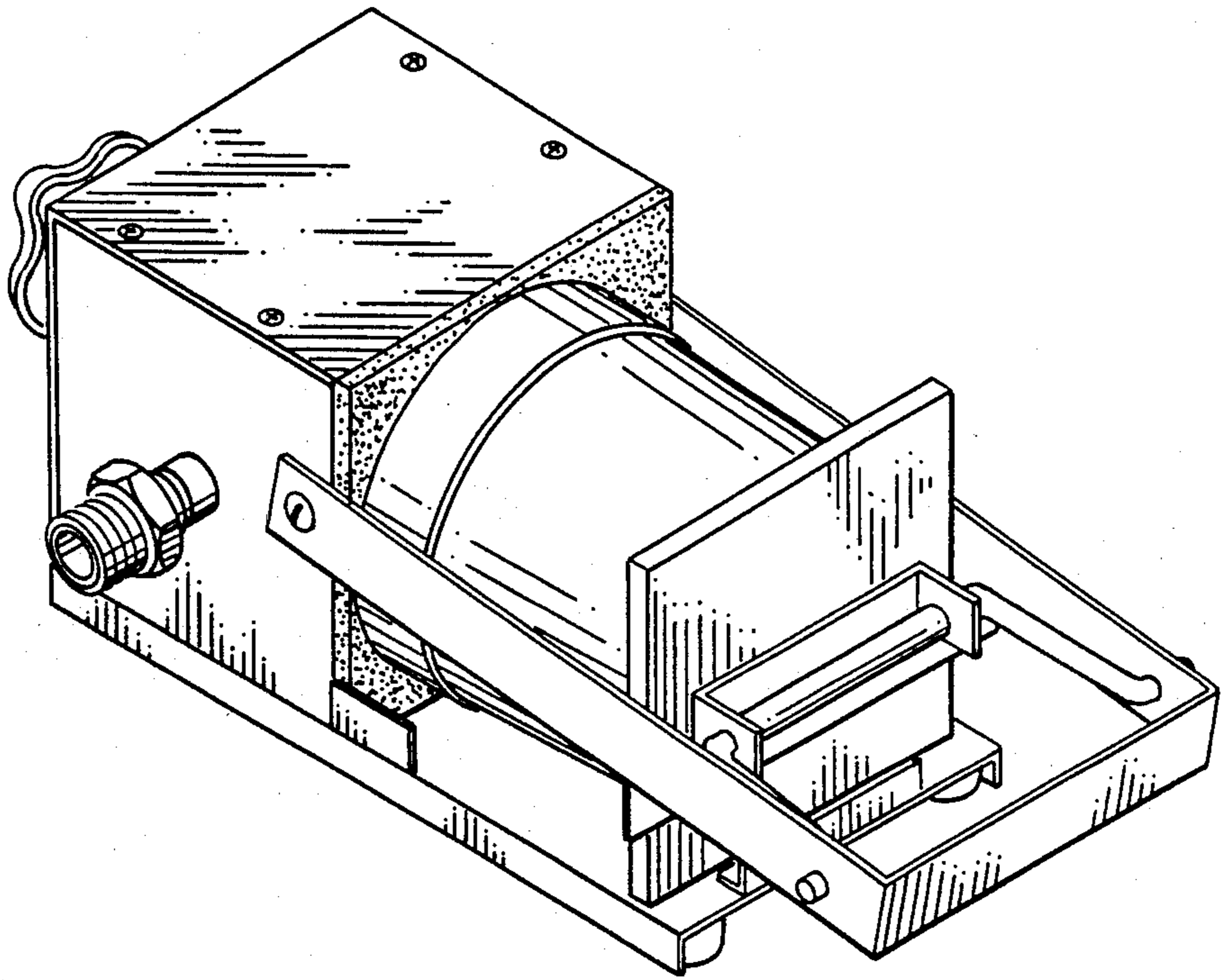


FIG. 7