

[54] ATTACHMENT FOR TELEPHONE STAND

[76] Inventor: James S. Zaza, 78 Latimer Avenue, Toronto, Ontario, Canada, M5N 2L8

[**] Term: 14 Years

[21] Appl. No.: 926,768

[22] Filed: Nov. 4, 1986

[30] Foreign Application Priority Data

May 14, 1986 [CA] Canada 14-05-86-10

[52] U.S. Cl. D14/59; 379/450

[58] Field of Search D14/59; 379/450, 447, 379/448, 454, 422, 425, 455, 110; 40/336, 337, 333, 10 R, 10 B, 10 D; D19/75, 83, 92, 99, 86

[56] References Cited

U.S. PATENT DOCUMENTS

D. 164,173	8/1951	Ives	D14/59
D. 185,453	6/1959	McCracken	D14/59
D. 204,548	4/1966	Aro	D14/59
D. 267,174	12/1982	Fox et al.	D14/59
D. 269,433	6/1983	Stein et al.	D14/53 X
2,408,194	9/1946	Bourdus	379/455
2,500,838	3/1950	Le Vine	40/336 X
2,620,407	12/1952	Nagy	40/336 X
2,624,965	1/1953	Griswold	379/450 X

3,184,548	5/1965	Krulwich	379/455 X
3,368,296	2/1968	Edwards	379/450 X
3,806,164	4/1974	Babeusee	40/336 X
3,826,519	7/1974	Gavin et al.	40/336 X
4,120,107	10/1978	Bukowsky	40/336
4,159,403	6/1979	Sangster	379/450
4,165,451	8/1979	Einstein	40/336 X

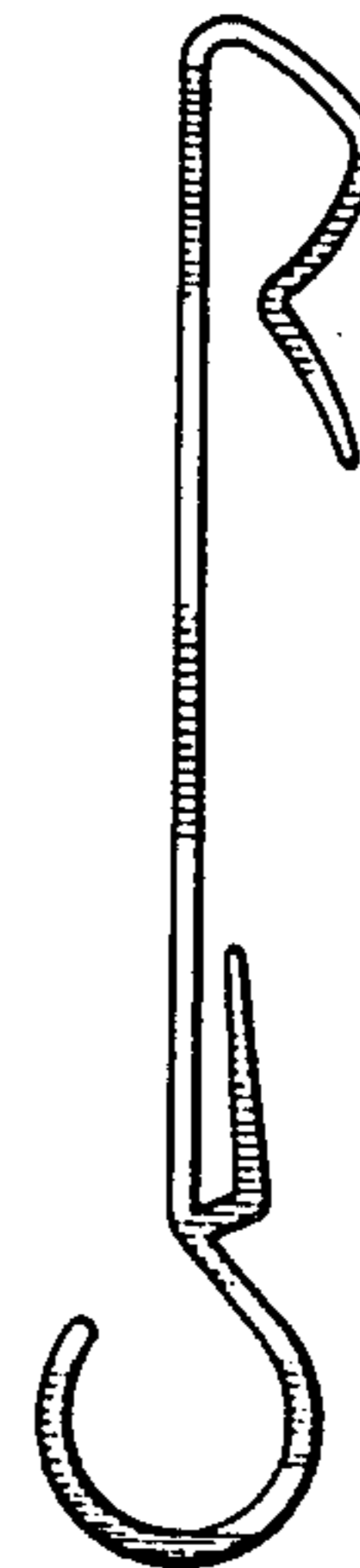
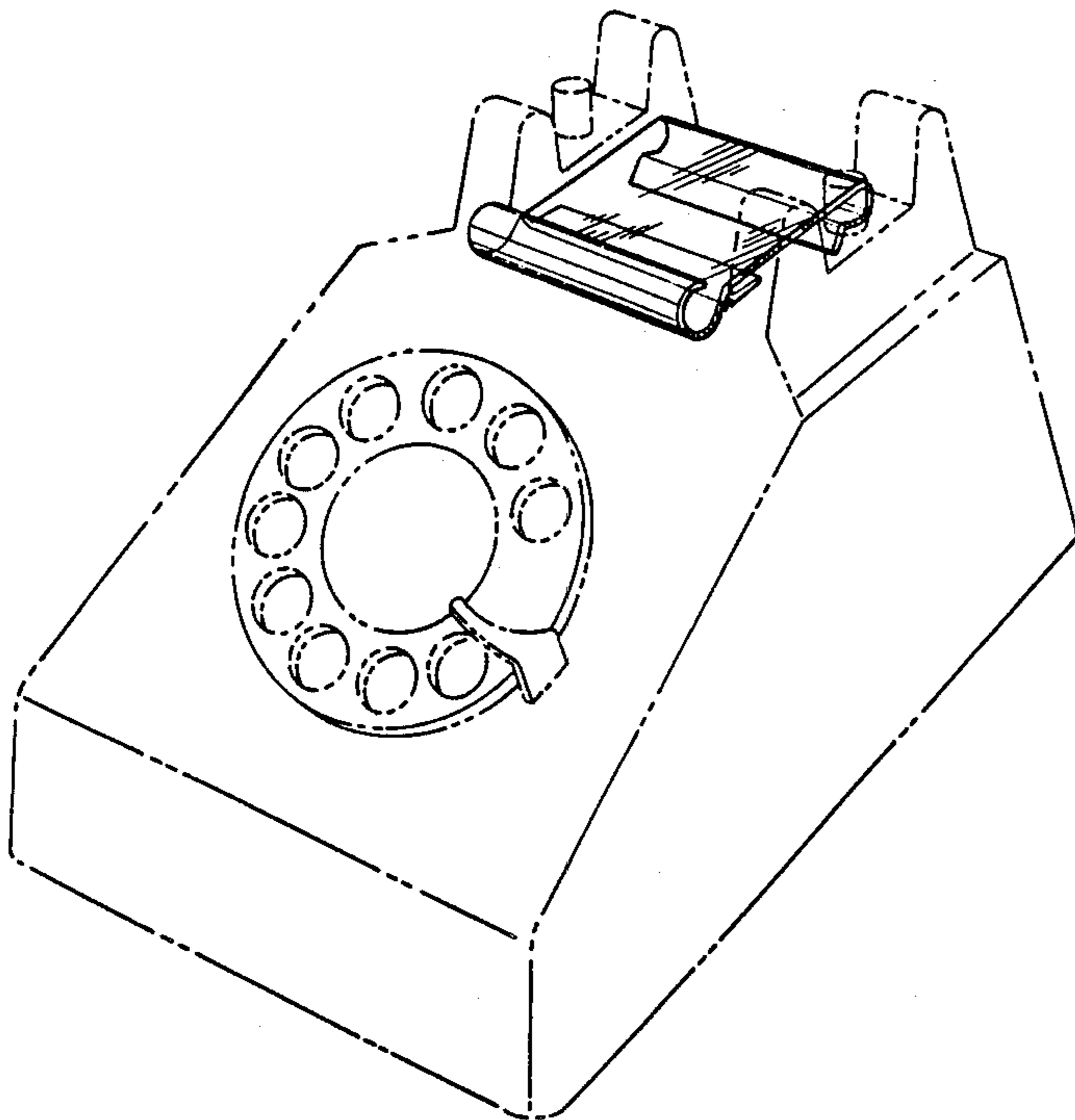
Primary Examiner—Horace B. Fay
Attorney, Agent, or Firm—Robert F. Delbridge; Arne I. Fors

[57] CLAIM

The ornamental design for an attachment for telephone stand, as shown and described.

DESCRIPTION

FIG. 1 is a front, top and right side perspective view of an attachment for telephone stand showing my new design;
FIG. 2 is an enlarged perspective view of the attachment shown in FIG. 1;
FIG. 3 is a top plan view thereof;
FIG. 4 is right side elevational view thereof, the side opposite being a mirror image;
FIG. 5 is a bottom plan view thereof; and,
FIGS. 6 and 7 are respectively front and rear elevational view thereof.



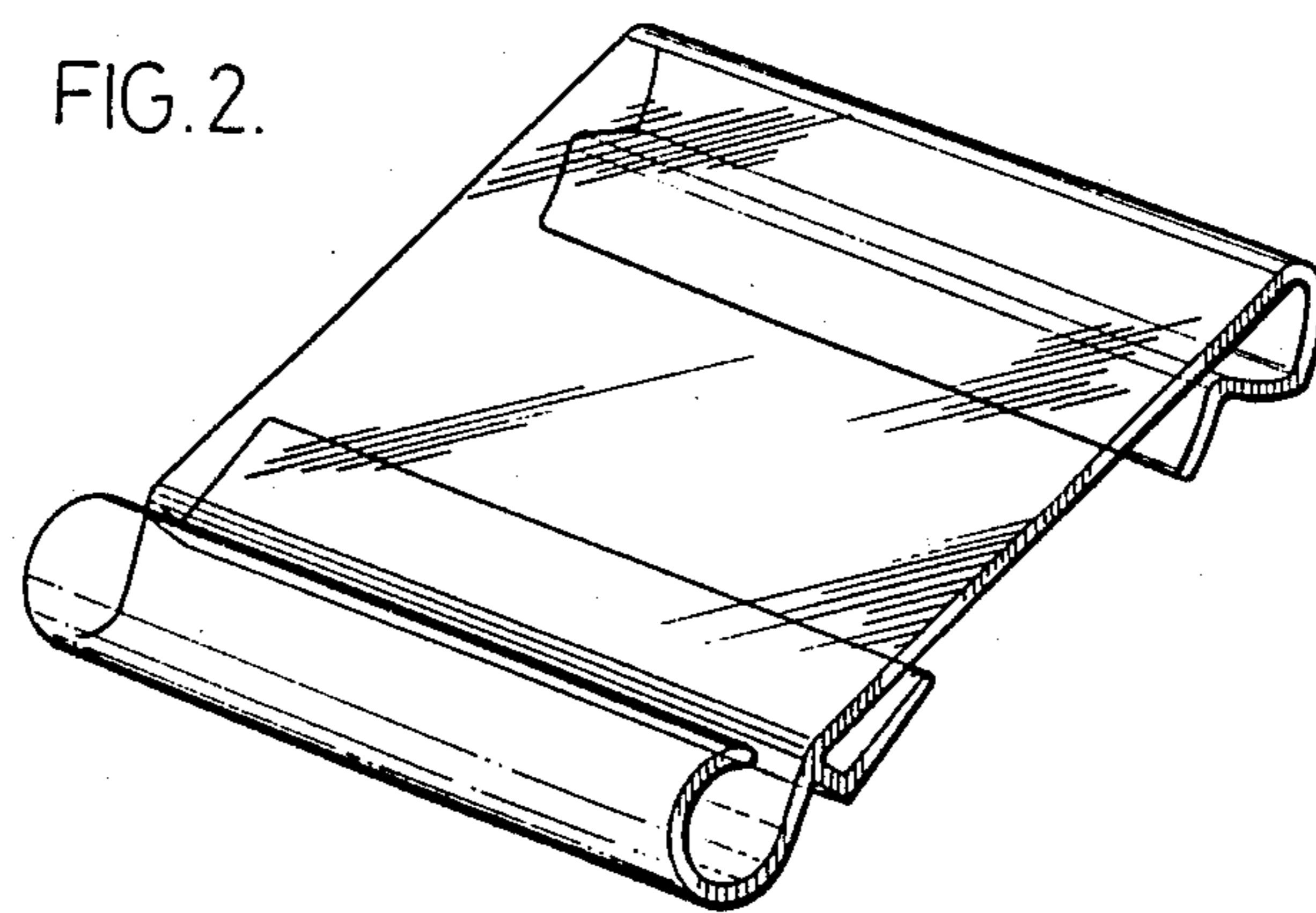
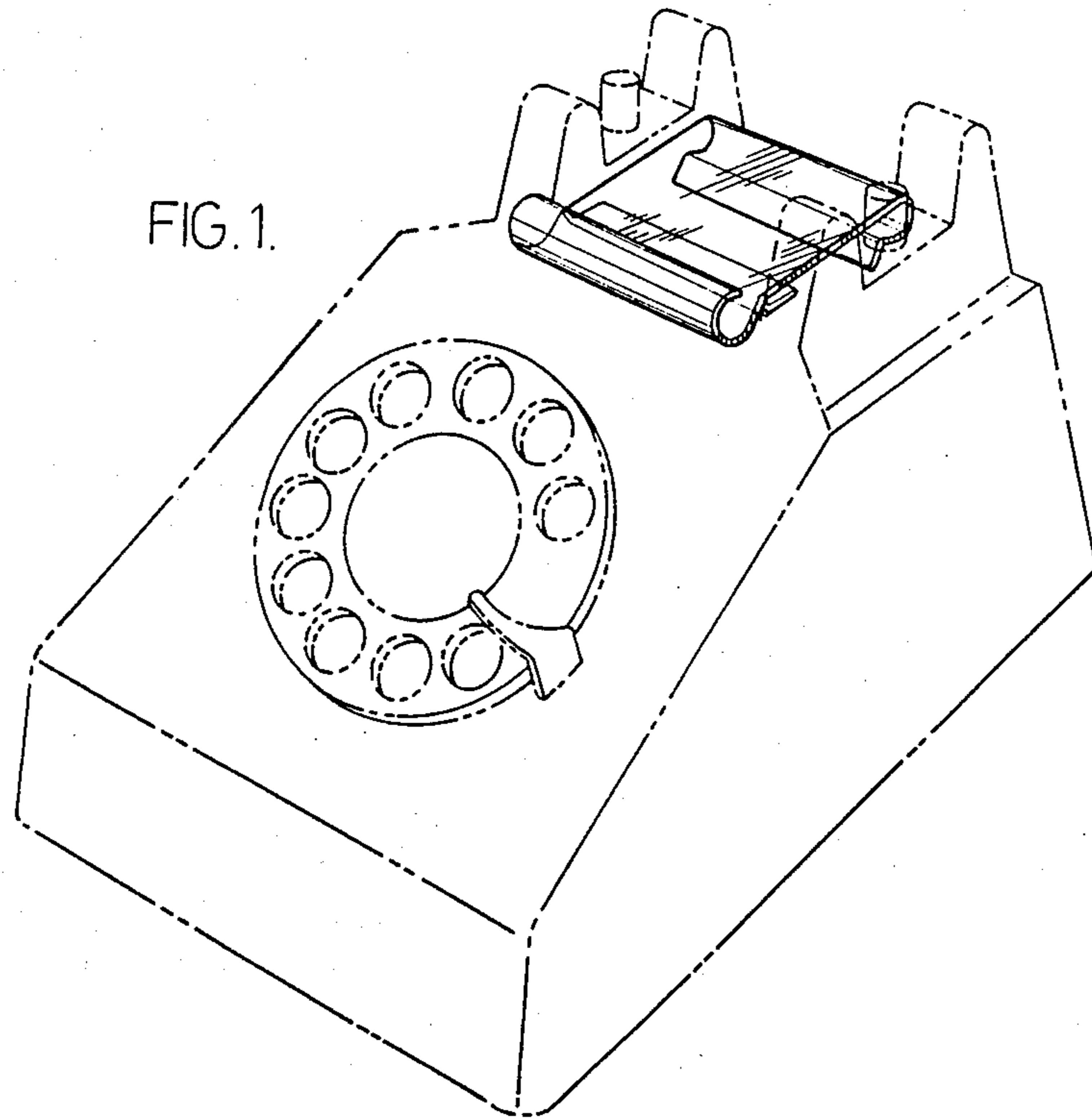


FIG. 3.

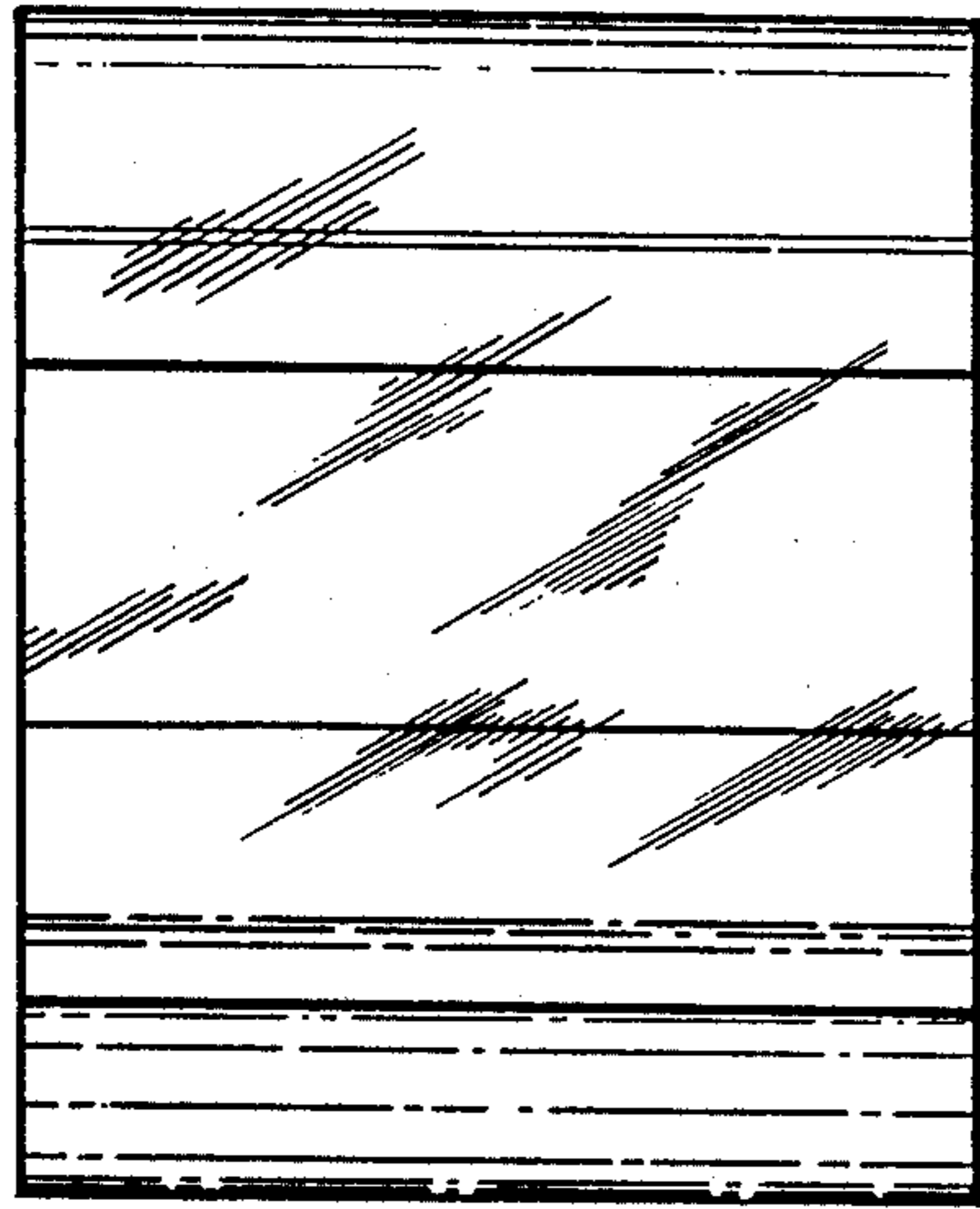


FIG. 4.

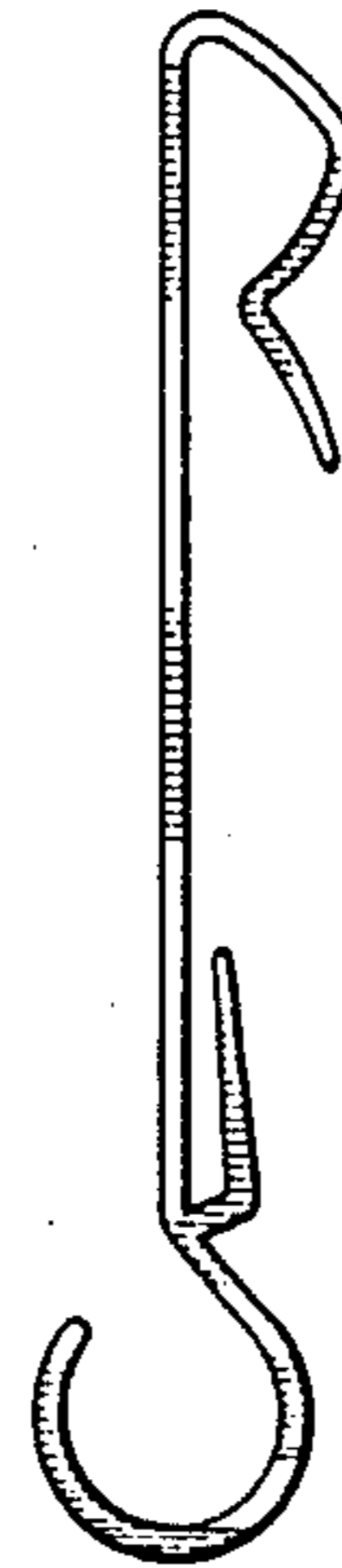


FIG. 5.

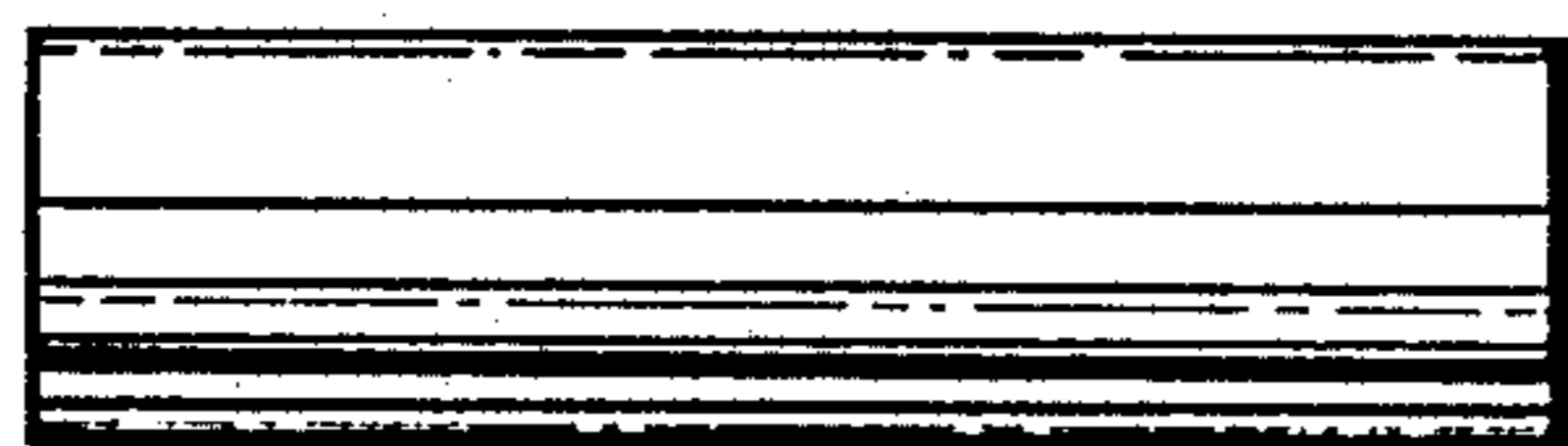
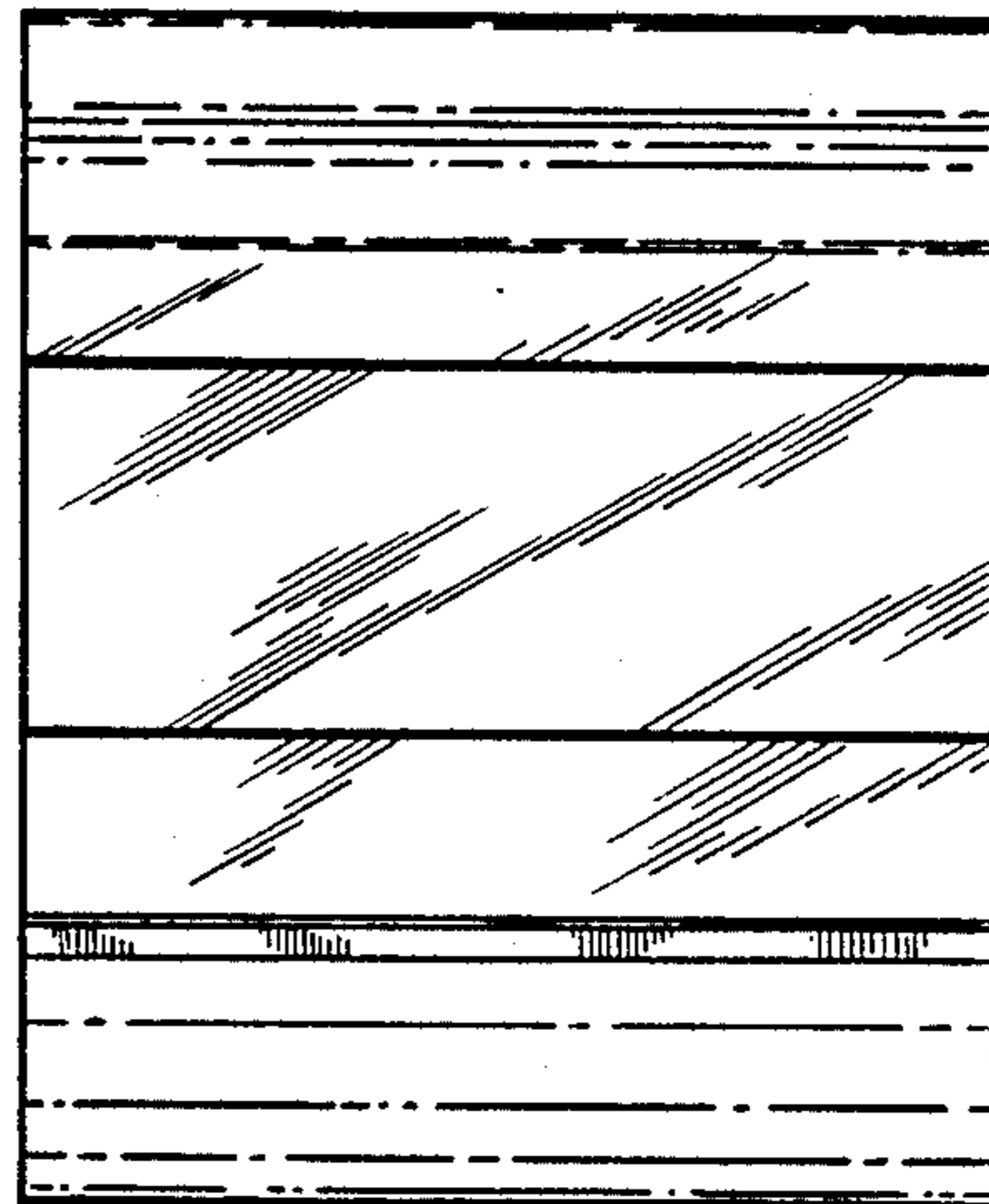


FIG. 6.

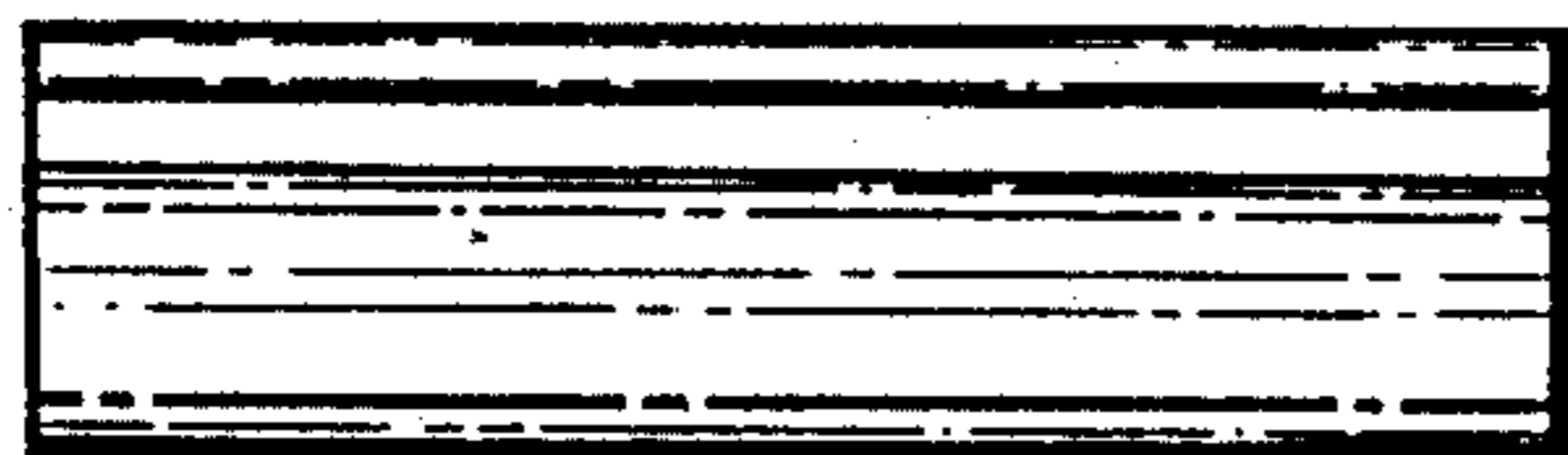


FIG. 7.