

[54] **FLASHLIGHT BATTERY CHARGER**

[75] **Inventors:** Raymond L. Sharrah, Collegeville, Pa.; Robert Bromley, Denver, Colo.

[73] **Assignee:** Streamlight, Inc., Norristown, Pa.

[**] **Term:** 14 Years

[21] **Appl. No.:** 902,391

[22] **Filed:** Aug. 29, 1986

[52] **U.S. Cl.** D13/6

[58] **Field of Search** D13/4-6, D13/11; 320/2-5, 15; 363/144, 146; 362/183

[56] **References Cited**

U.S. PATENT DOCUMENTS

D. 178,775	9/1956	Gombar	D13/28
D. 199,245	9/1964	Skeen	D13/5
D. 209,284	11/1967	Busch	D13/24
3,192,378	6/1965	Oldenburger	362/183
3,250,911	5/1966	Oldenburger	362/183
4,171,534	10/1979	Strowe	362/183
4,357,648	11/1982	Nelson	362/183
4,388,673	6/1983	Maglica	362/183
4,531,178	7/1985	Uke	362/158
4,536,694	8/1985	McCarty et al.	320/2

OTHER PUBLICATIONS

Advertising Brochure from Yuasa Battery Co., Ltd. about their Yuasa Ultlight.
 Advertising Brochure from Qualtech, Inc. about their Pharo-Tech Flashlight.
 Advertising Brochure from Qualtech, Inc. about their Luma-Tech 4 flashlight system.

Advertising Brochure from Streamlight, Inc. about their SL-20X, SL-35X, and SL-15X flashlights.
 Advertising Brochure from Mag Instruments about their MagCharger flashlight system.
 Advertising Brochure from Pro-Light about their Pro-Charger flashlight system.
 Advertising Brochure from Oreck Corporation about their cordless rechargeable police spotlight.
 Advertising Brochure from the Tekna-Lite Corporation about their Mini-Tenka-Lite.
 Advertising Brochure for the SabreLite System 2000.
 Advertising Brochure from the G. T. Price Products about their GTP 6000 rechargeable series.

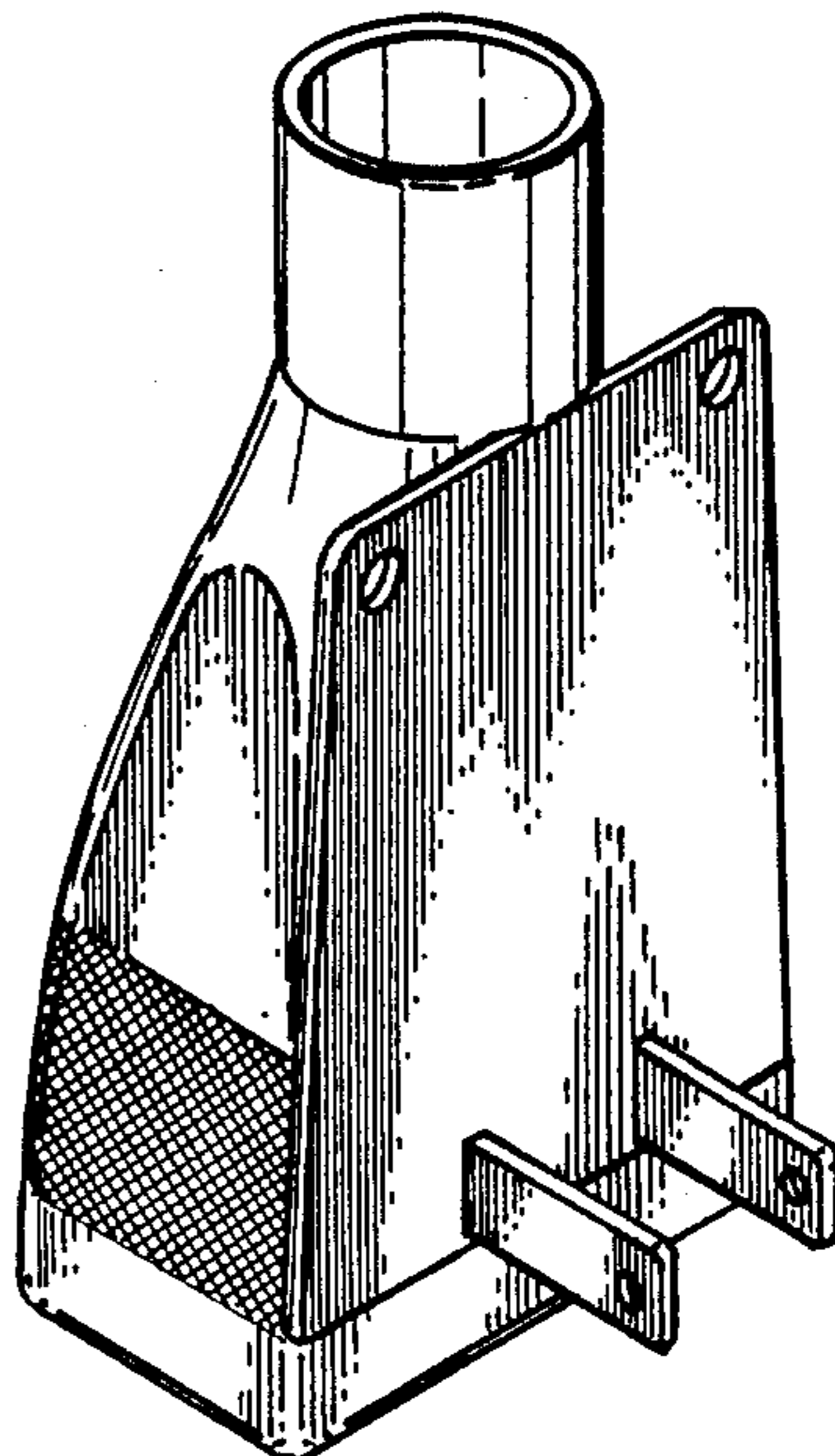
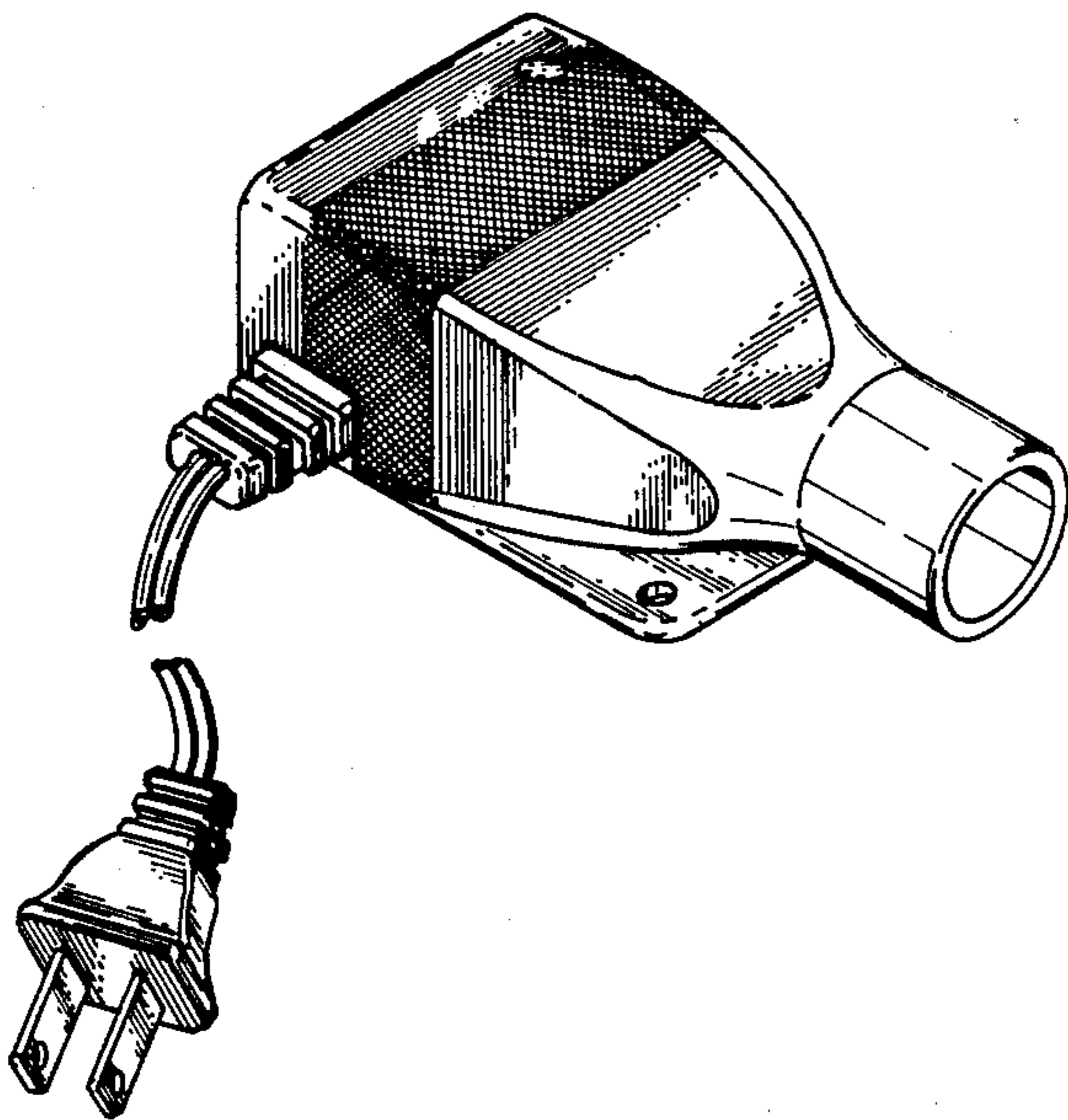
Primary Examiner—Wallace R. Burke
Assistant Examiner—Ruth Takemoto
Attorney, Agent, or Firm—Dann, Dorfman, Herrell and Skillman

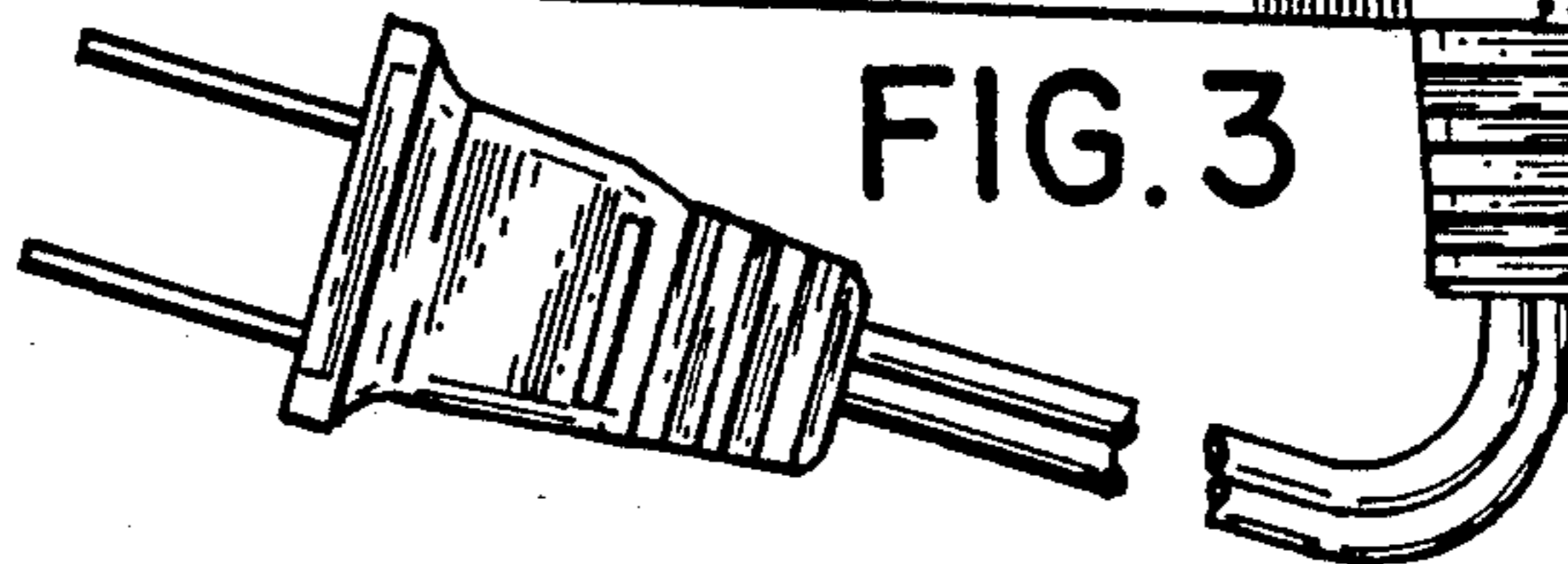
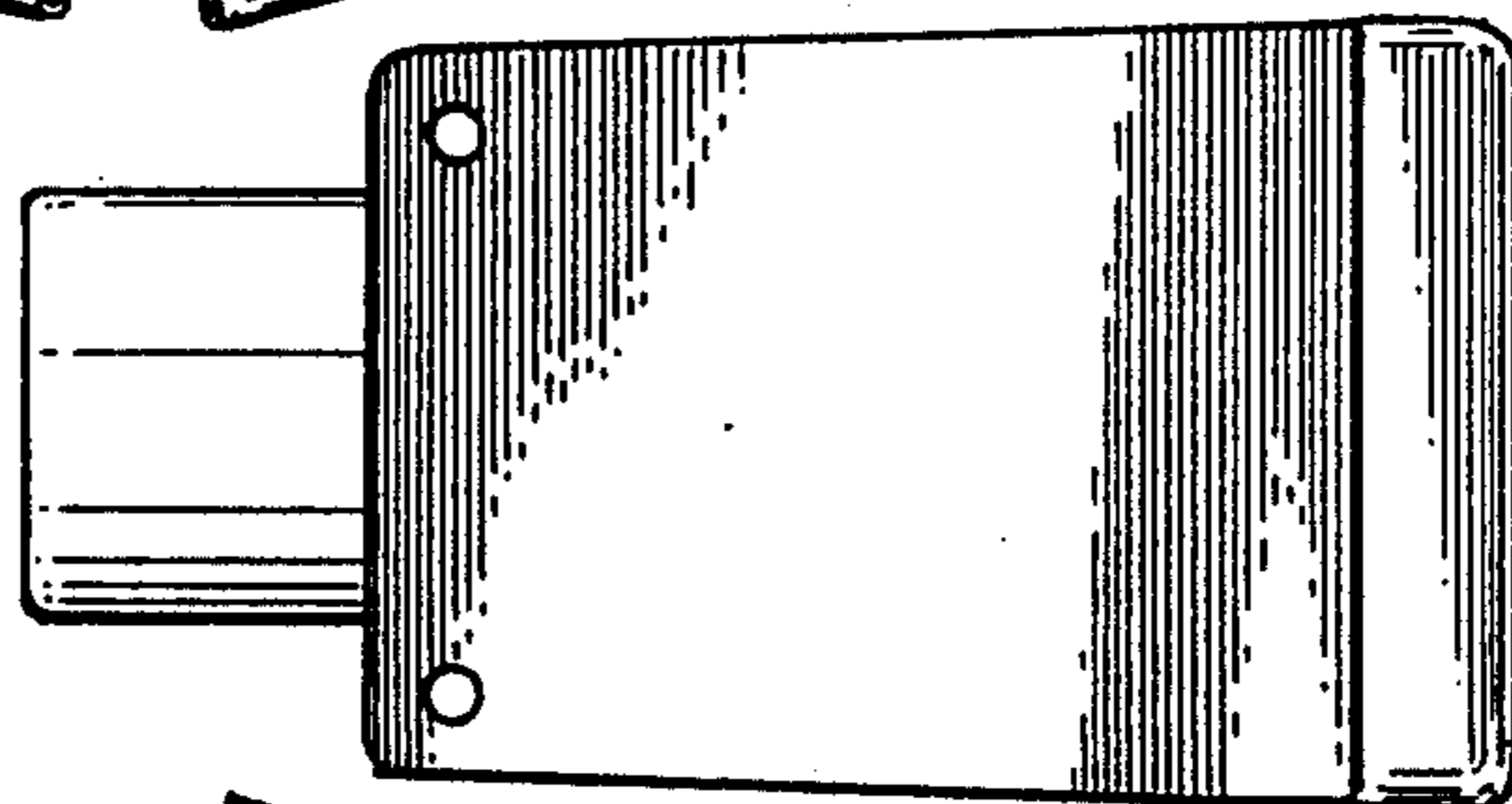
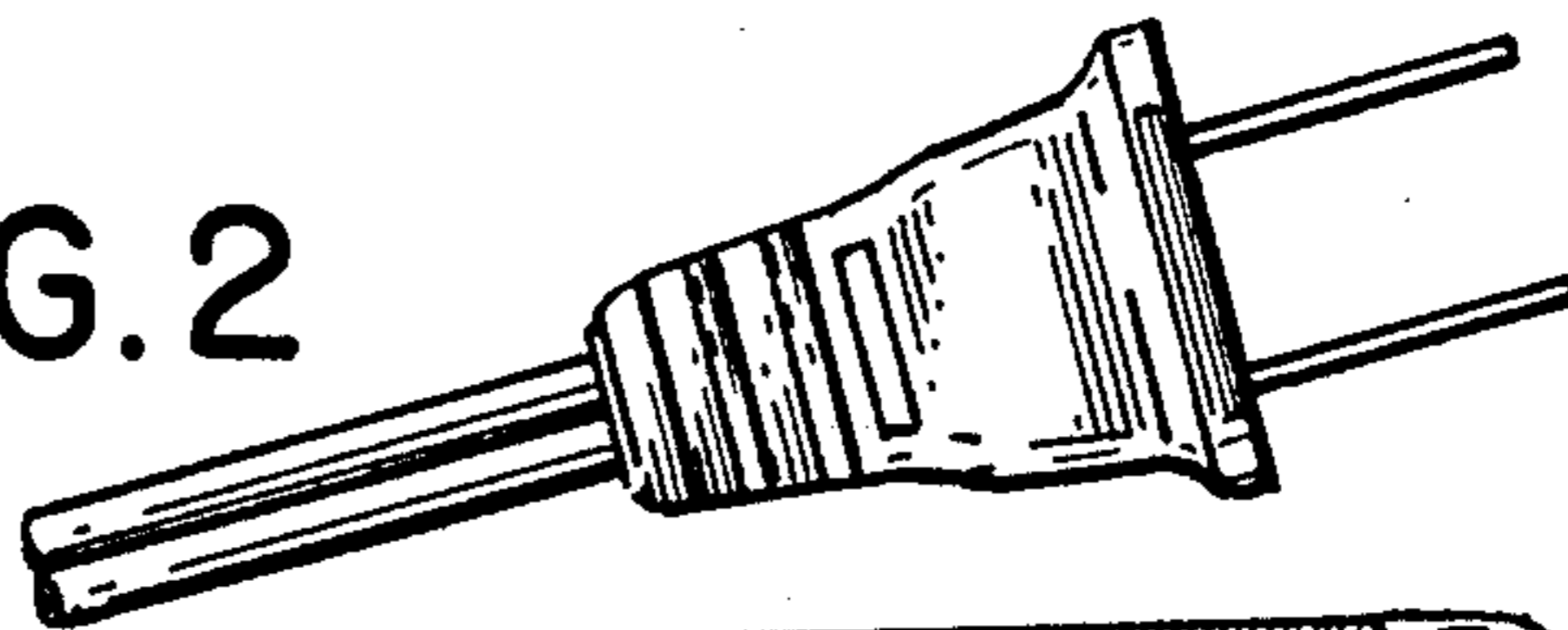
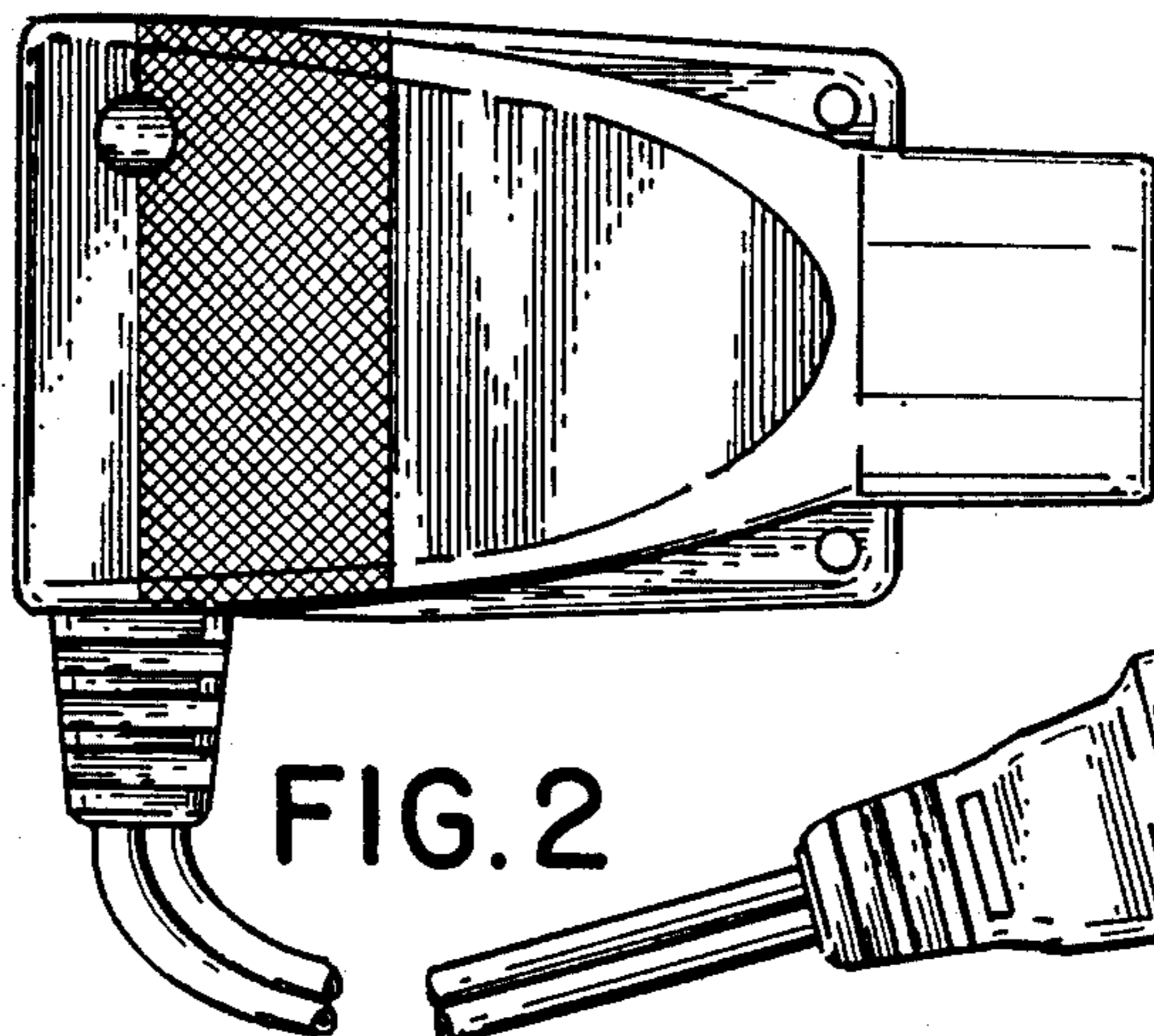
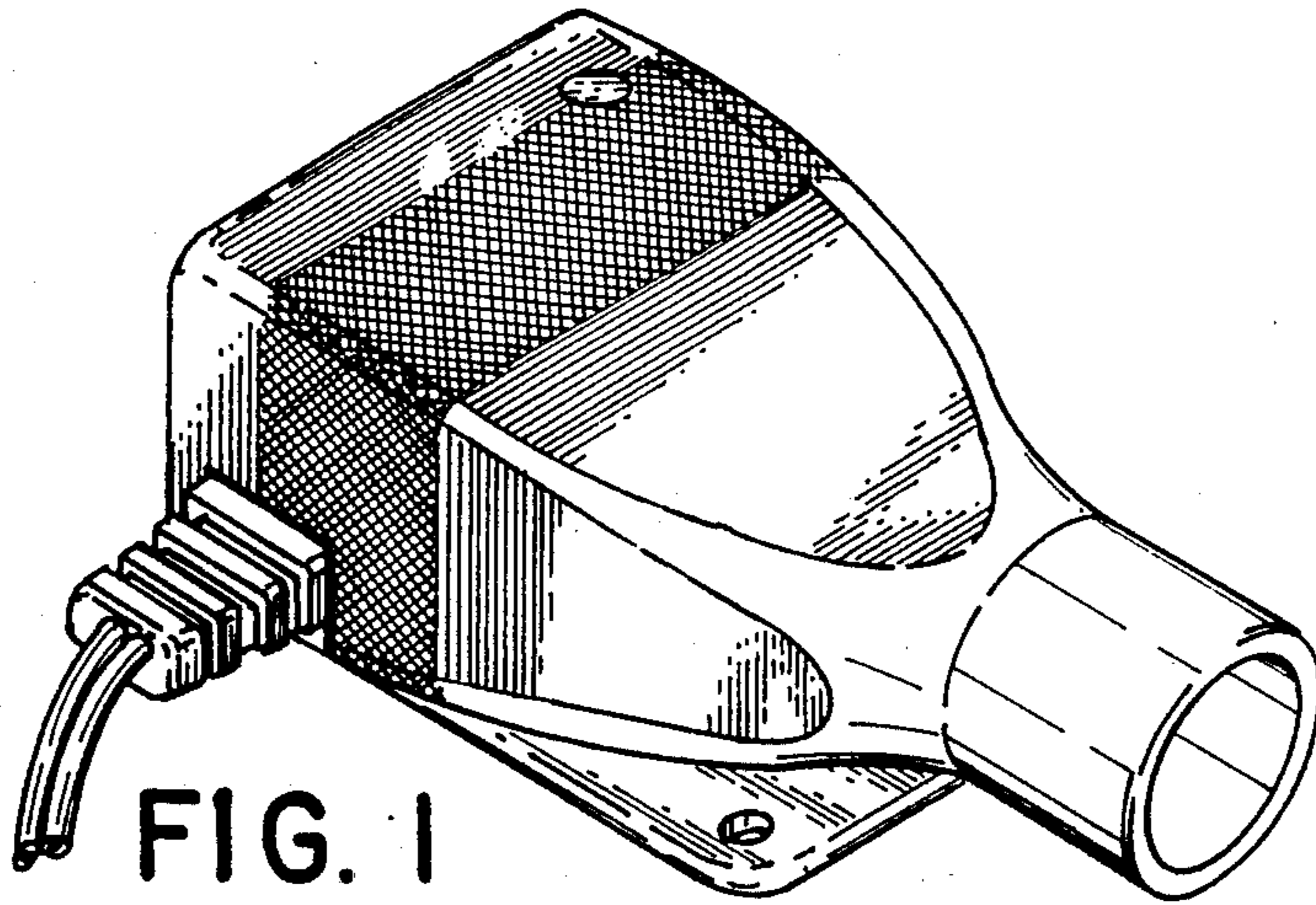
[57] **CLAIM**

The ornamental design for a flashlight battery charger, as shown and described.

DESCRIPTION

FIG. 1 is a front perspective view of a flashlight battery charger showing our new design;
 FIG. 2 is a front elevational view thereof;
 FIG. 3 is a rear elevational view thereof;
 FIG. 4 is a right end elevational view thereof;
 FIG. 5 is a left end elevational view thereof;
 FIG. 6 is a left side elevational view thereof;
 FIG. 7 is a right side elevational view thereof; and
 FIG. 8 is a rear perspective view of a second embodiment thereof, wherein the only difference resides in the plug.
 The broken cord shown in FIGS. 1, 2, 3, 5 and 7 is understood to represent indeterminate length.





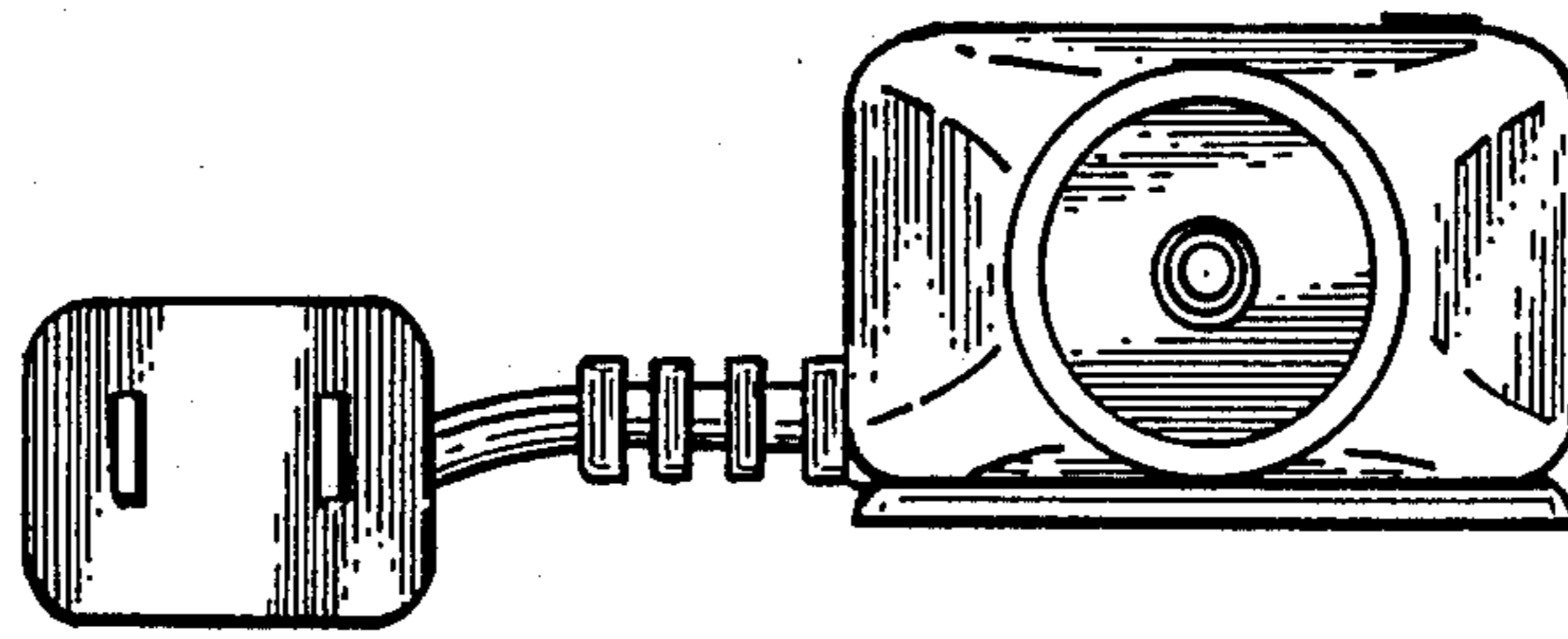


FIG. 4

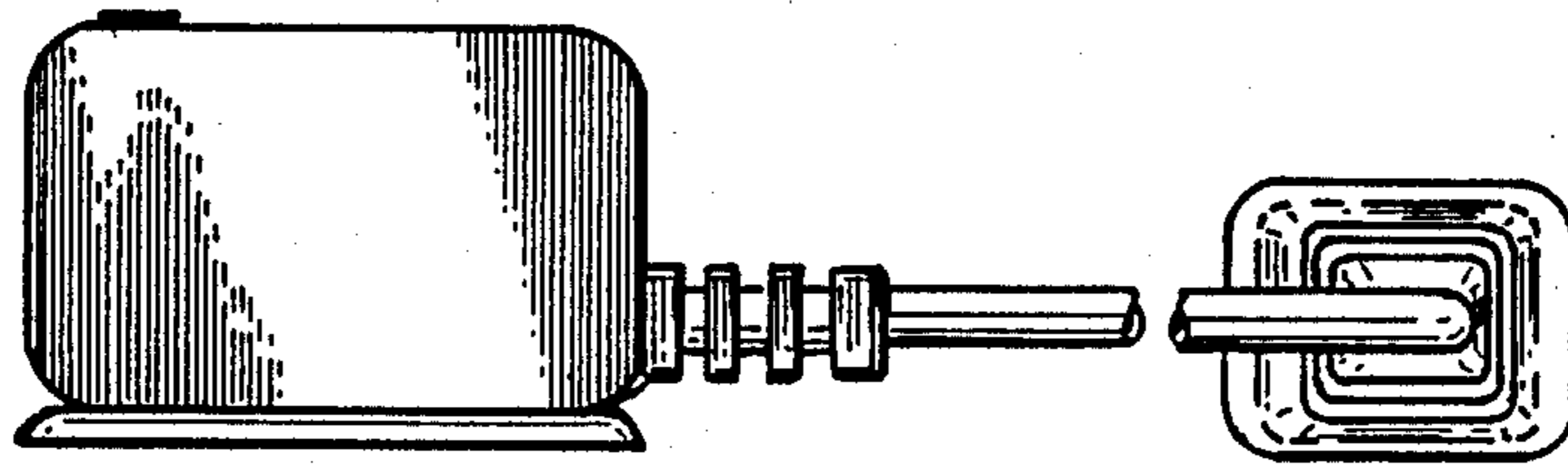


FIG. 5

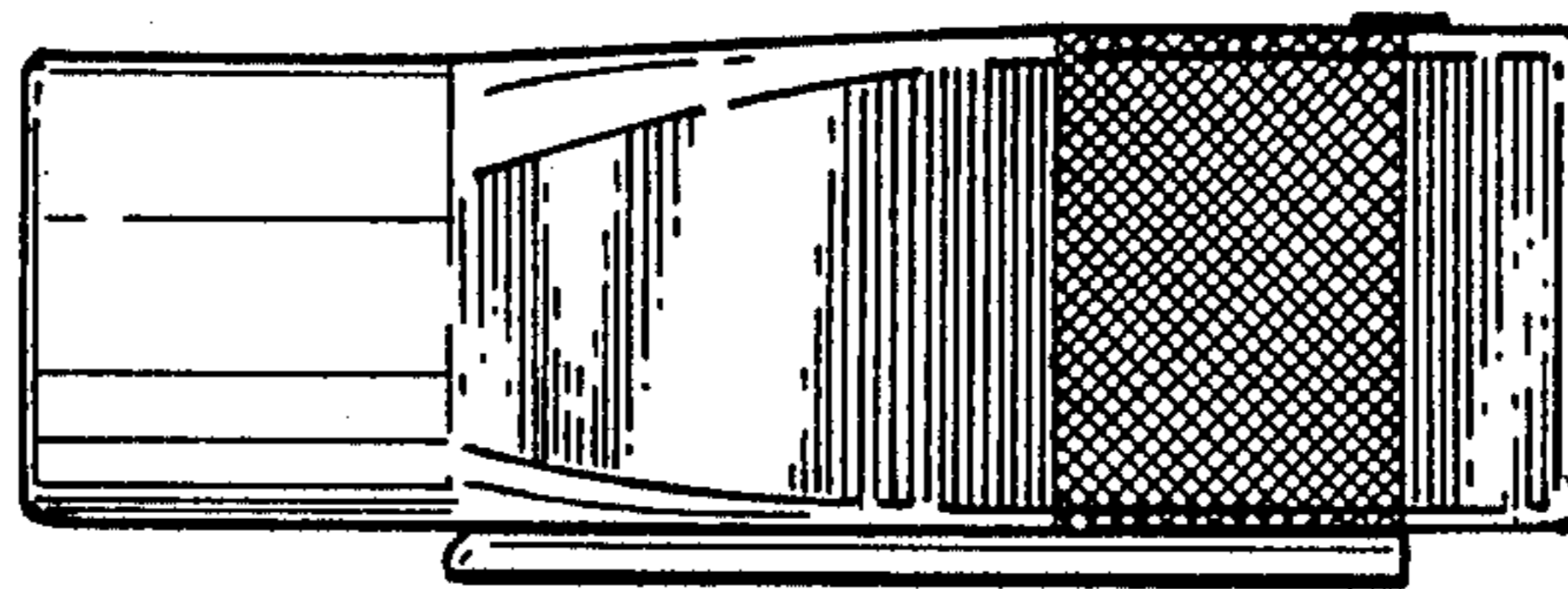


FIG. 6

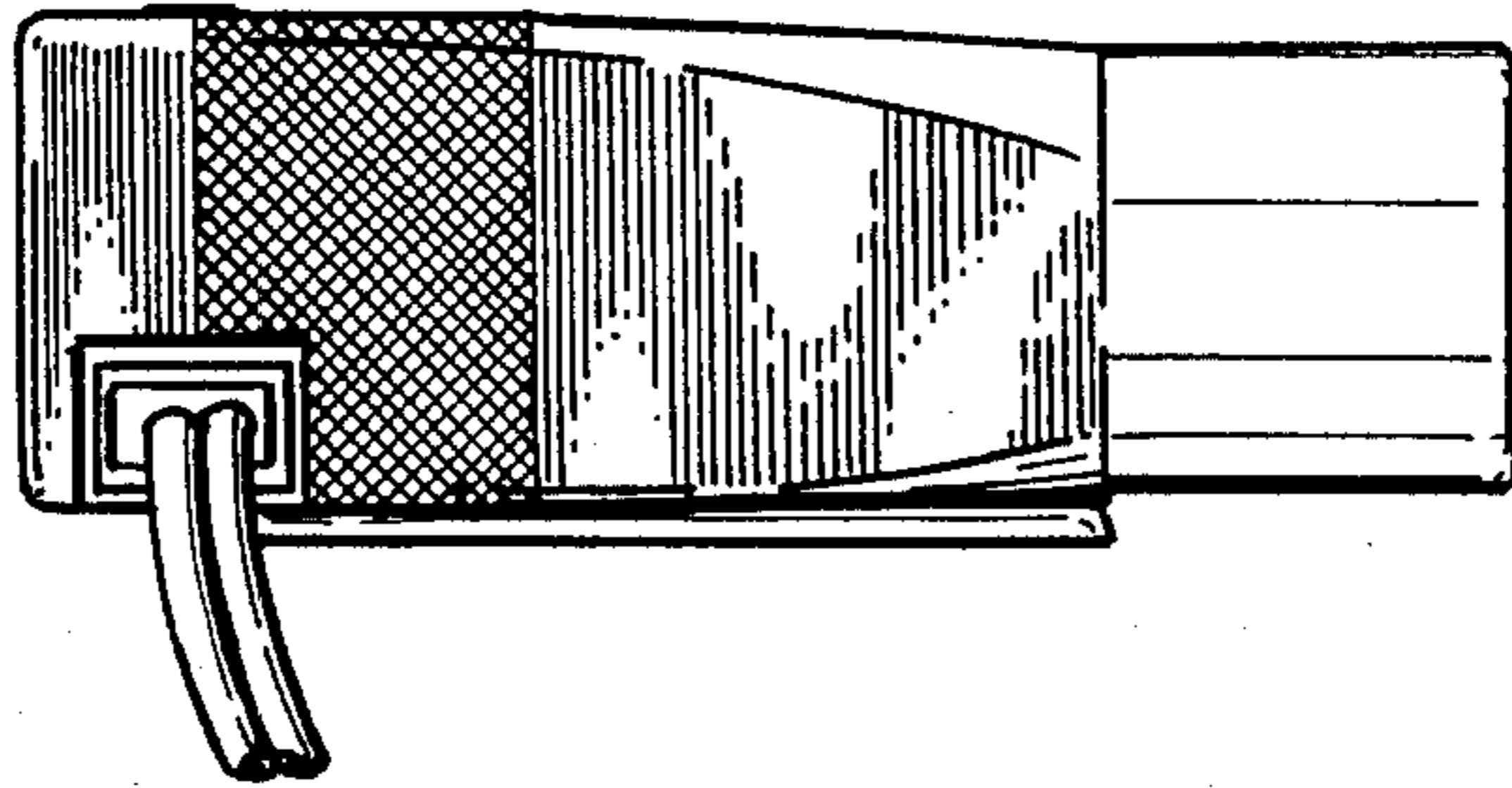


FIG. 7

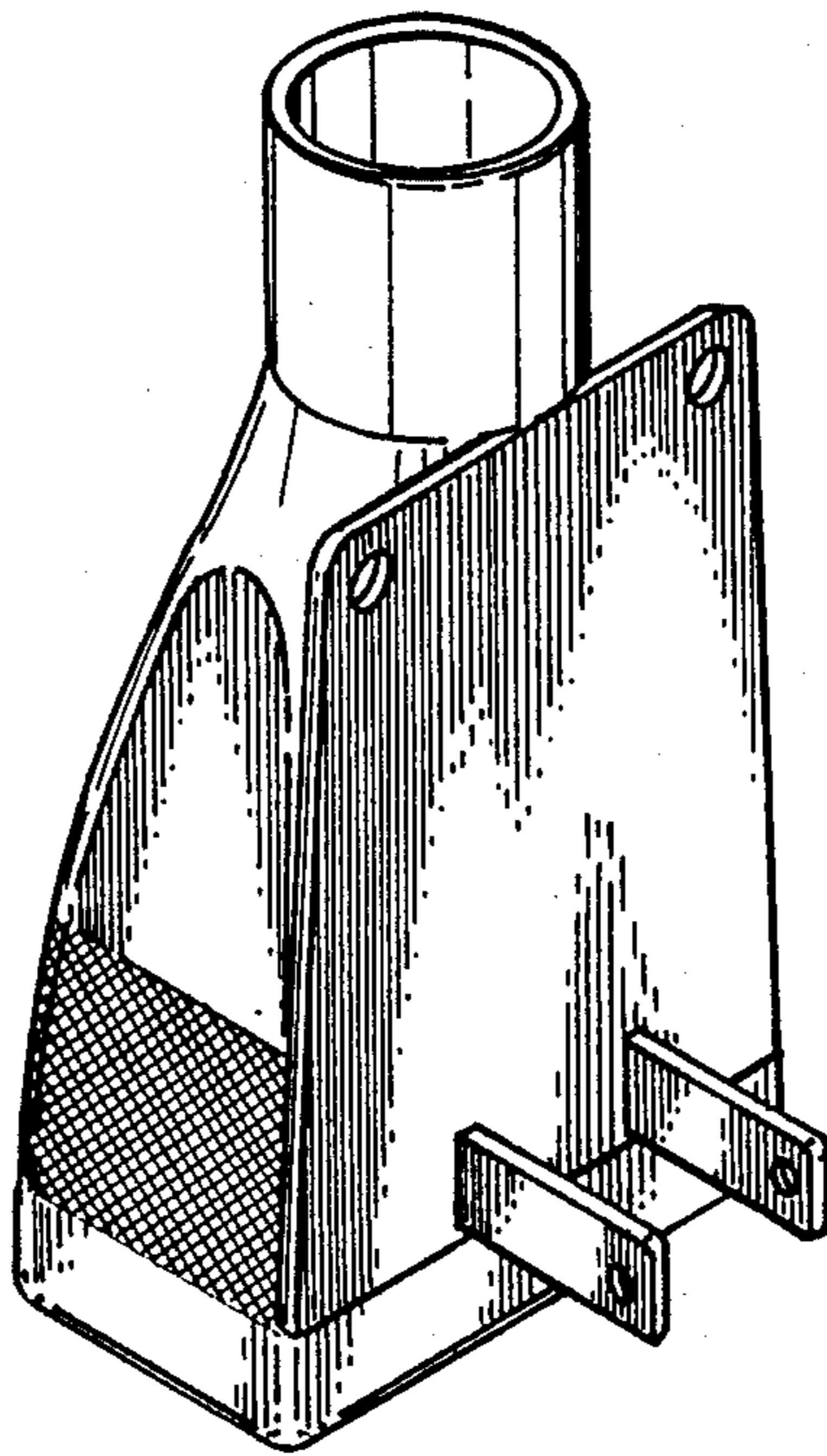
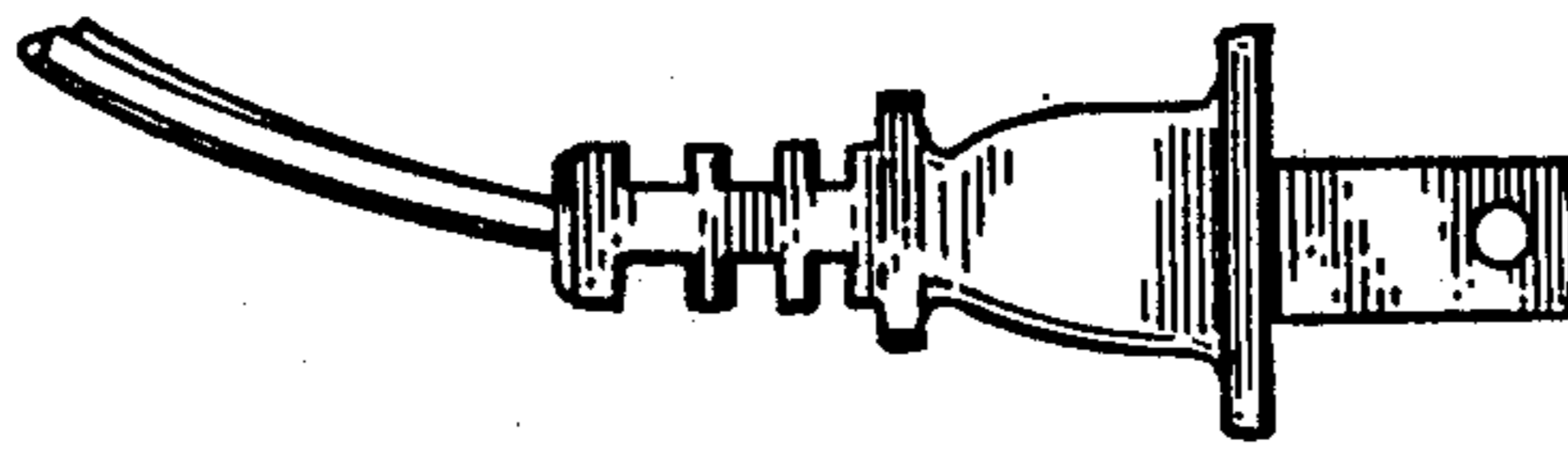


FIG. 8