

[54] **BICYCLE RACK**

[76] **Inventors:** Cameron G. Whitworth, 58 Malvern Avenue; Harold Braul, 907 College, Apt. 6; N. Charles Laviolette, 58 Malvern Avenue, all of Toronto, Ontario, Canada

[\*\*] **Term:** 14 Years

[21] **Appl. No.:** 925,662

[22] **Filed:** Oct. 31, 1986

[52] **U.S. Cl.** ..... D12/115

[58] **Field of Search** ..... D12/115, 178; 211/19, 211/20, 22, 17; 74/551.1

[56] **References Cited**

**U.S. PATENT DOCUMENTS**

D. 234,758	4/1975	Sill .....	D12/115
D. 263,039	2/1982	Richard, Jr. ....	D12/115
3,994,425	11/1976	Graber .....	211/20

**OTHER PUBLICATIONS**

American Bicyclist & Motorcyclist, 5/72, p. 29, Dual--Cycle Handlebars, lower right side of page.

*Primary Examiner*—James M. Gandy  
*Attorney, Agent, or Firm*—Riches, McKenzie & Herbert

[57] **CLAIM**

The ornamental design for a bicycle rack, as shown.

**DESCRIPTION**

FIG. 1 is a perspective view of a bicycle rack showing our new design;

FIG. 2 is a side elevation view thereof;

FIG. 3 is an end elevation view thereof;

FIG. 4 is a top plan view thereof.

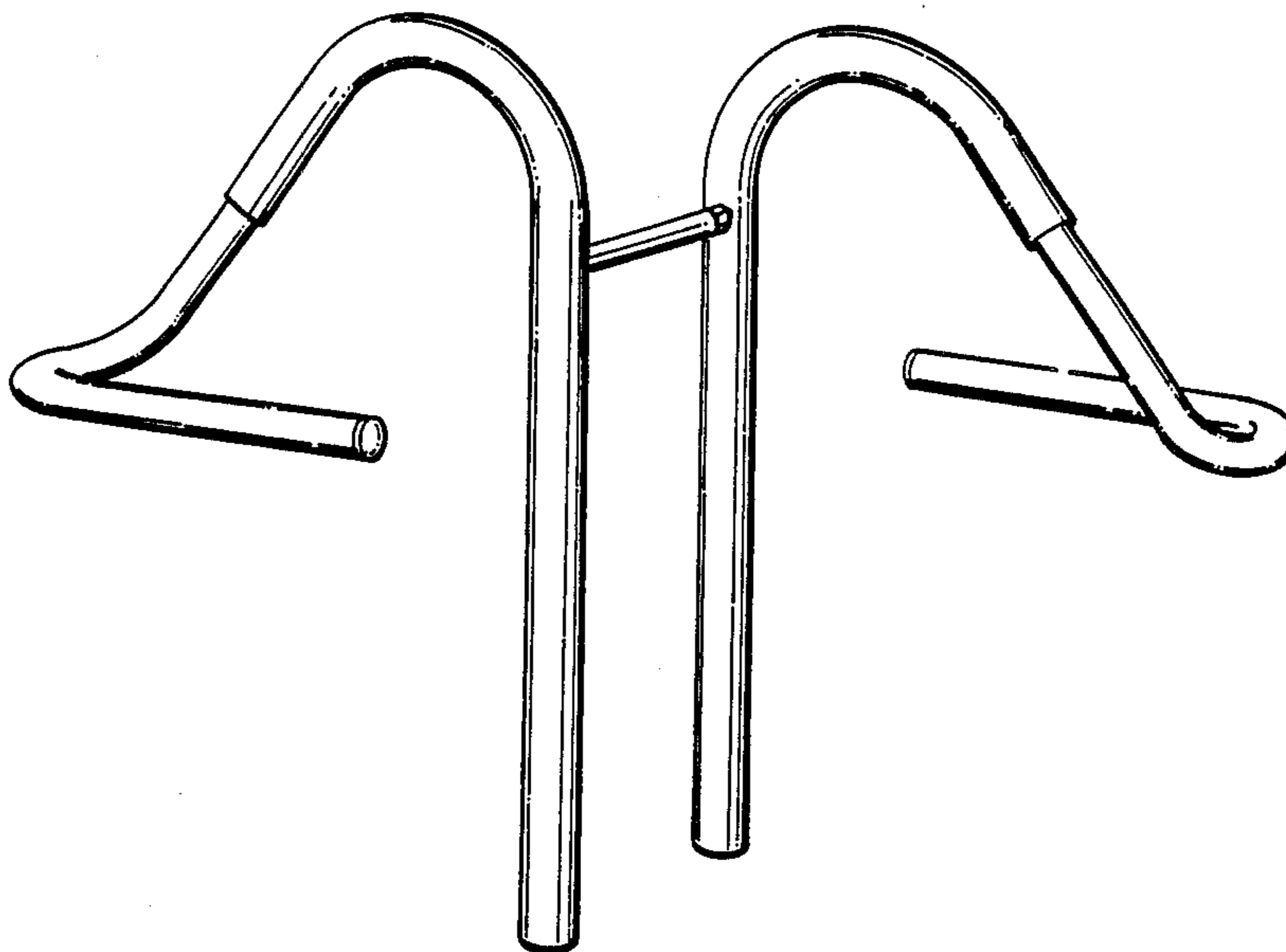


FIG. 1.

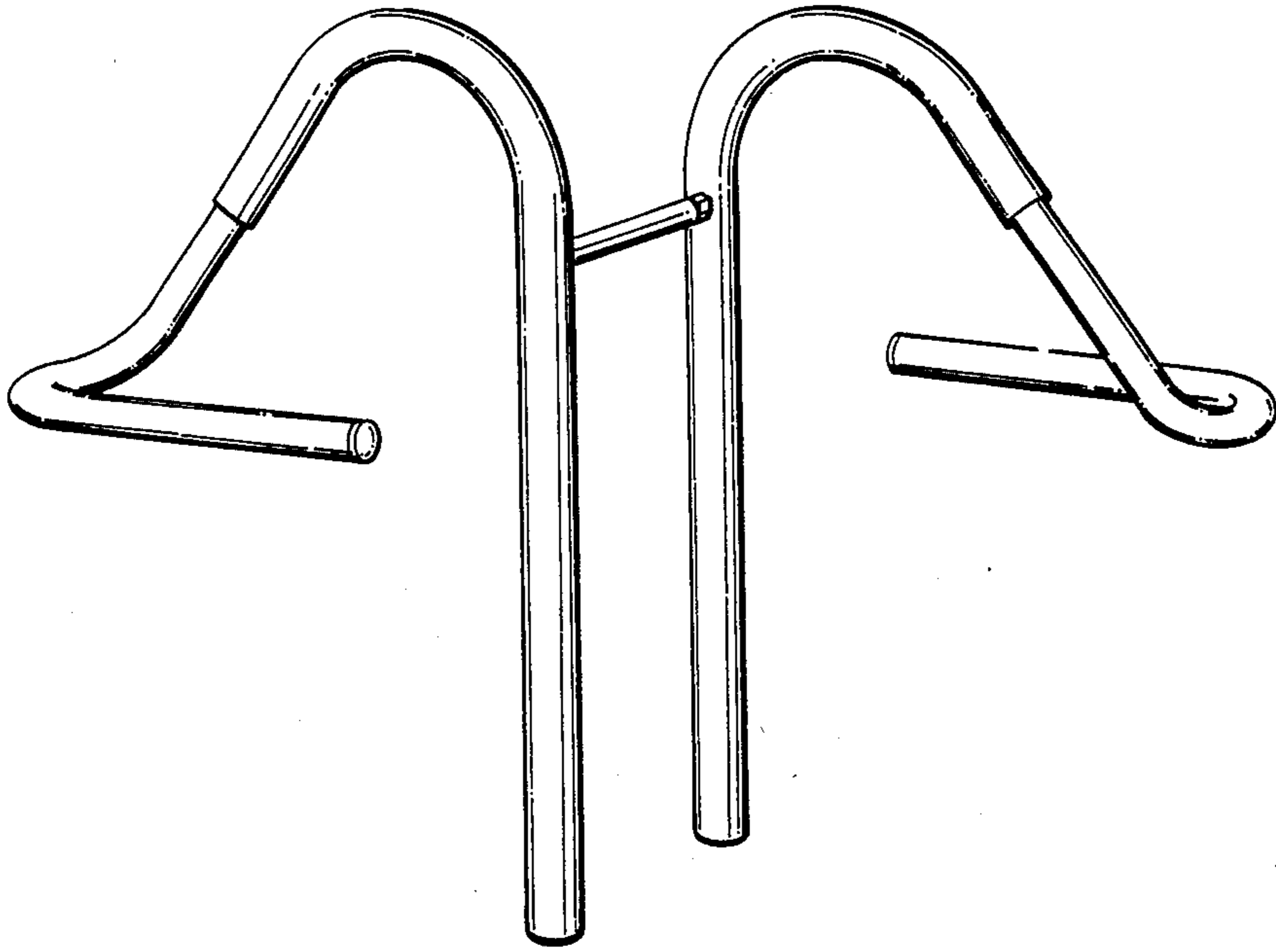


FIG. 2.

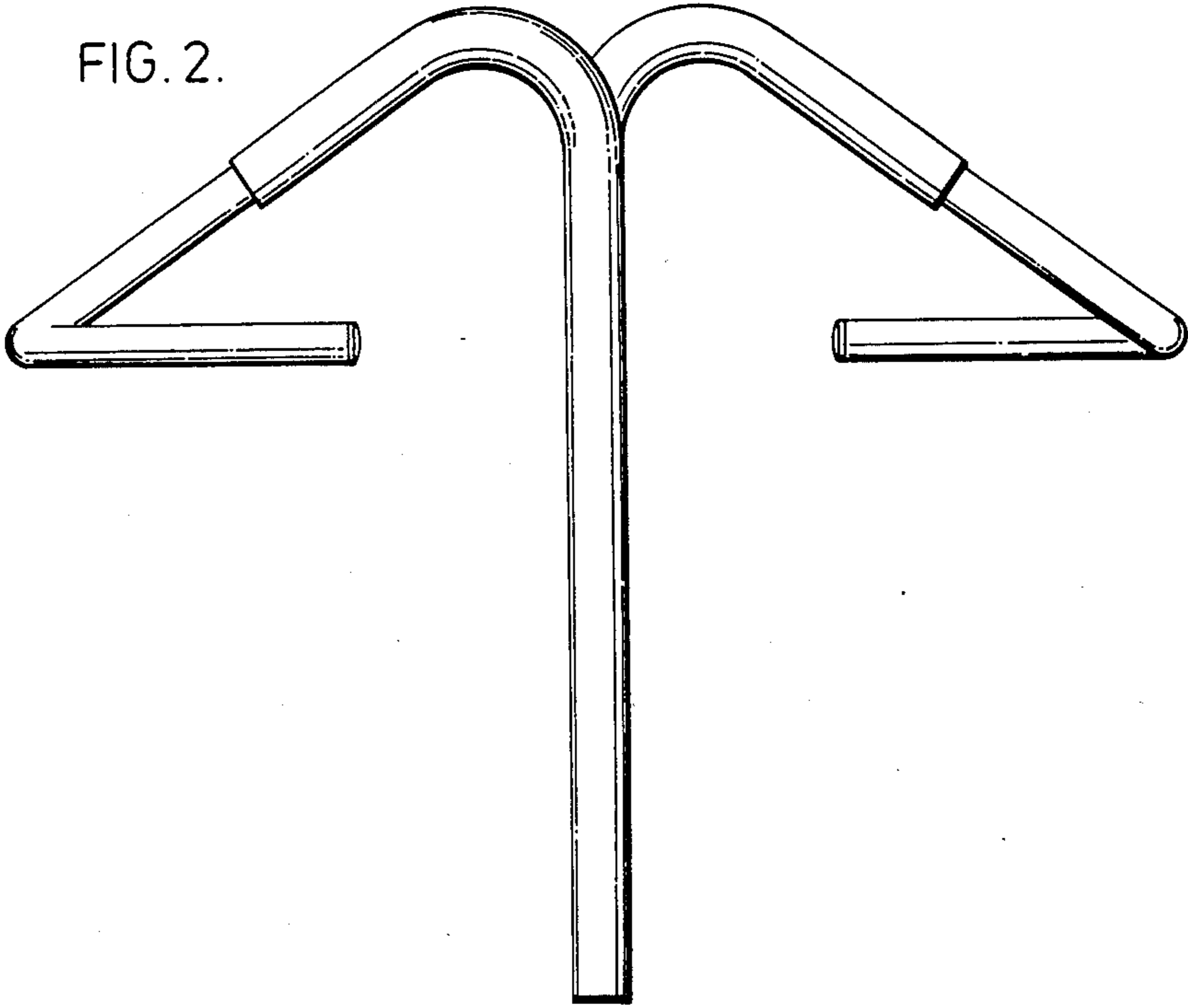


FIG. 3.

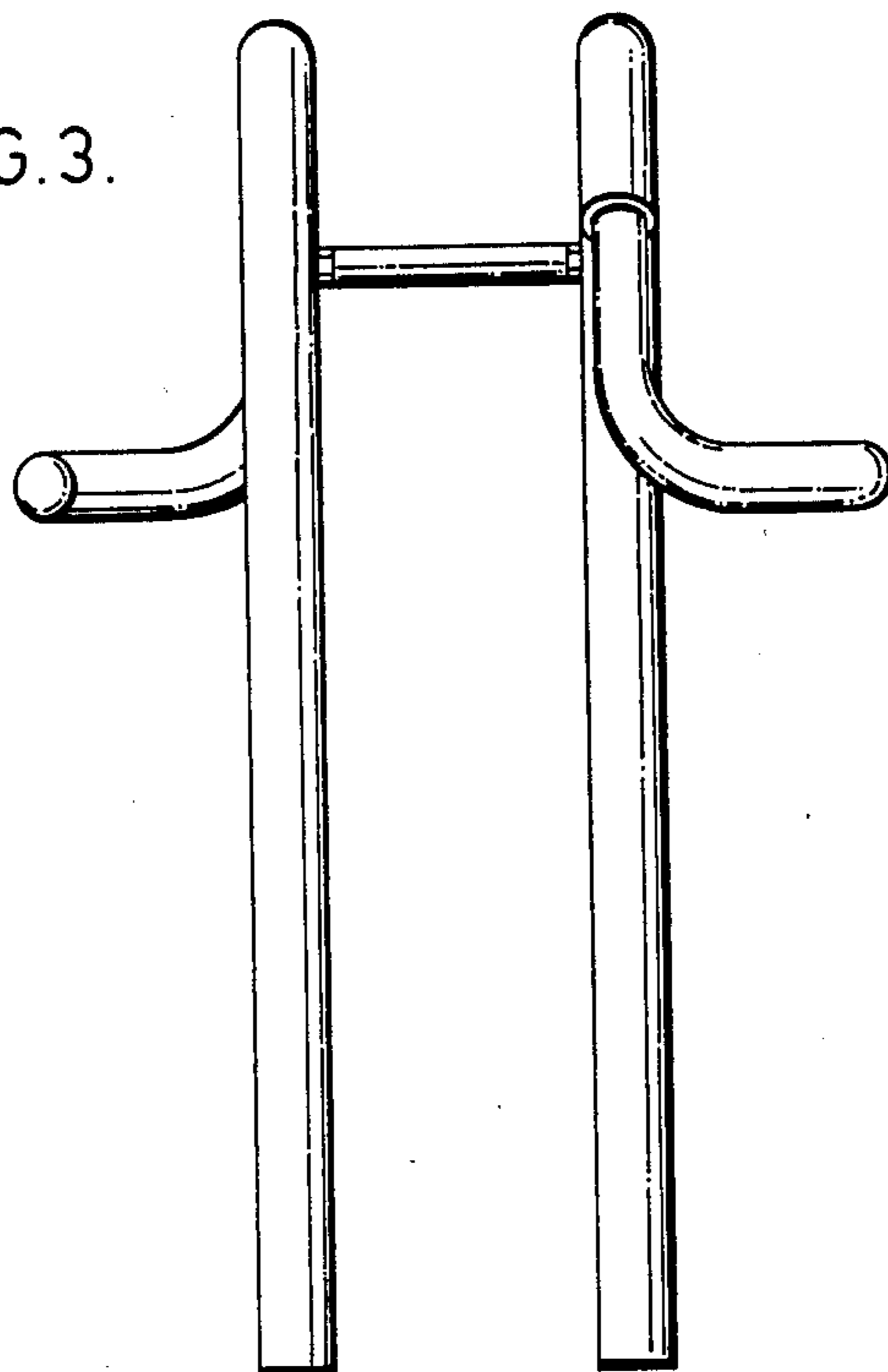


FIG. 4.

