

[54] FOUR WHEELED MOTORCYCLE

[75] Inventor: Kazuyuki Takagaki, Hamamatsu,
Japan

[73] Assignee: Suzuki Jidosha Kogyo Kabushiki
Kaisha, Shizuoka, Japan

[**] Term: 14 Years

[21] Appl. No.: 864,119

[22] Filed: May 16, 1986

[30] Foreign Application Priority Data

Jan. 21, 1986 [JP] Japan 61-1783
[52] U.S. Cl. D12/107
[58] Field of Search D12/107, 110, 3;
180/219, 225, 229, 233, 311, 312

[56] References Cited

U.S. PATENT DOCUMENTS

D. 280,609 9/1985 Walter et al. D12/182
D. 285,058 8/1986 Takagaki D12/107
D. 285,424 9/1986 Hishinuma D12/107

Primary Examiner—James M. Gandy

[57] CLAIM

The ornamental design for a four wheeled motorcycle,
as shown.

DESCRIPTION

FIG. 1 is a front perspective view of a four wheeled
motorcycle showing my new design;
FIG. 2 is a rear perspective view thereof;
FIG. 3 is a right side perspective view thereof;
FIG. 4 is a left side perspective view thereof;
FIG. 5 is a top perspective view thereof;
FIG. 6 is a bottom perspective view thereof;
FIG. 7 is a front, top and right side perspective view
thereof.

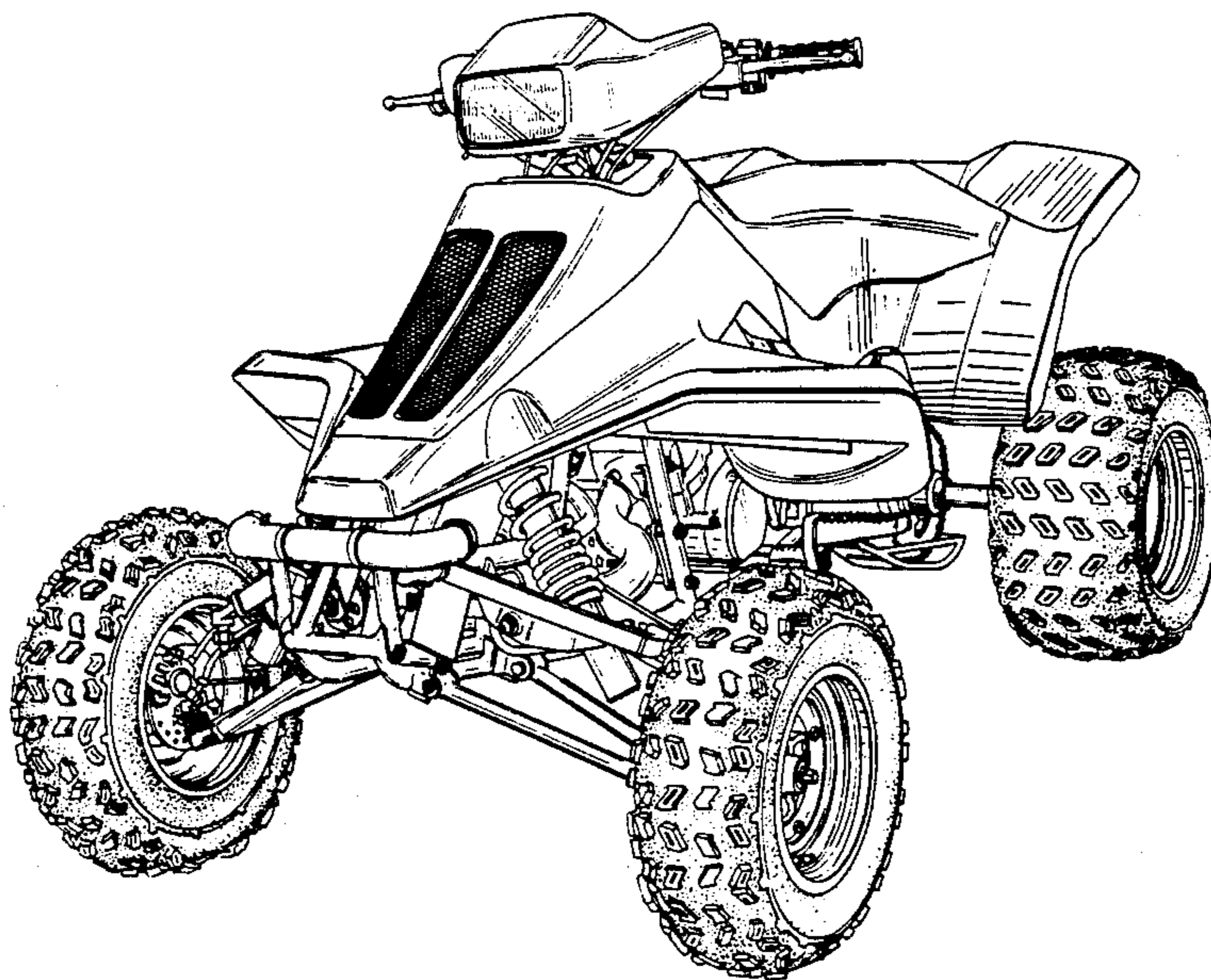


FIG. 1

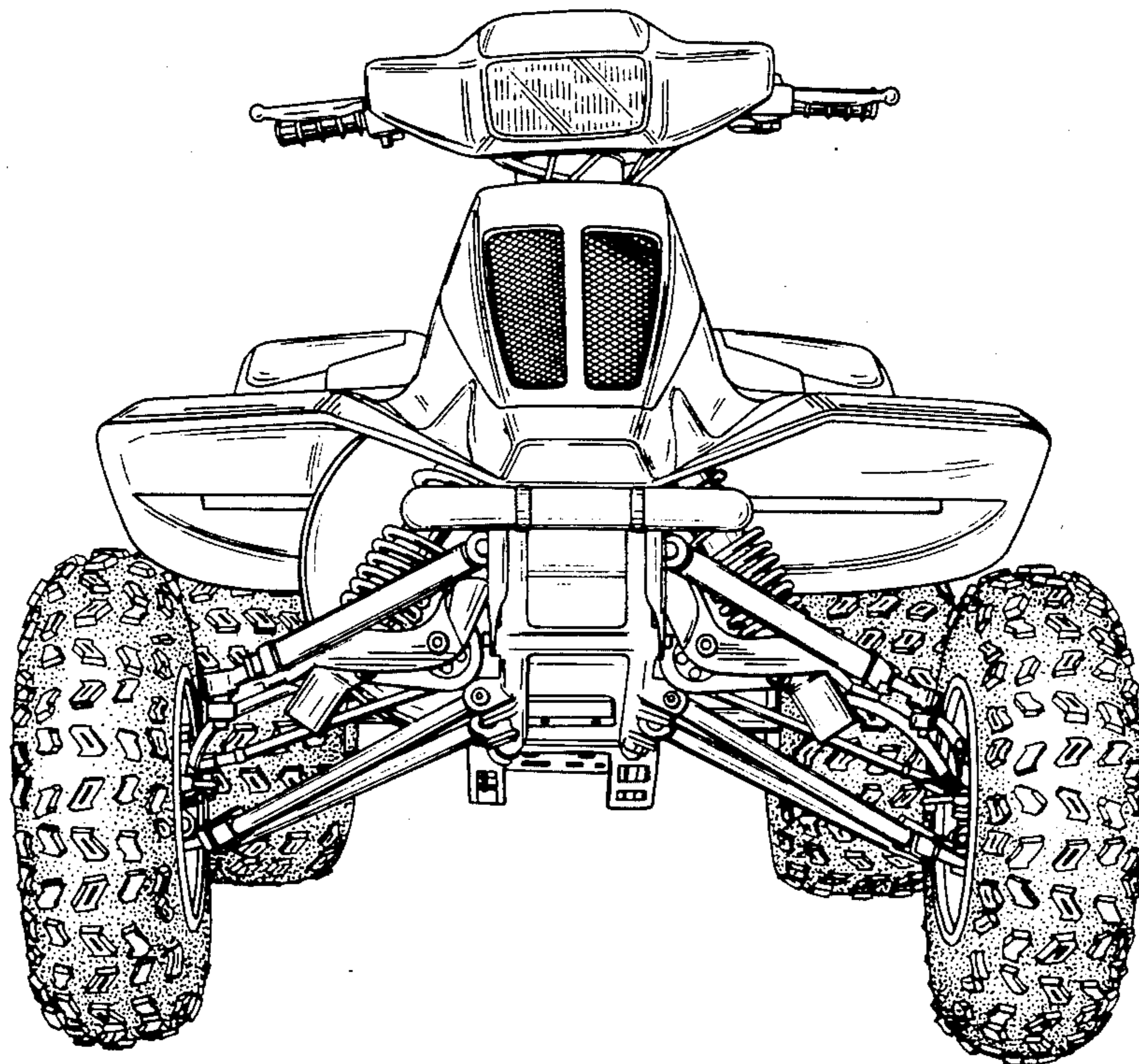


FIG. 2

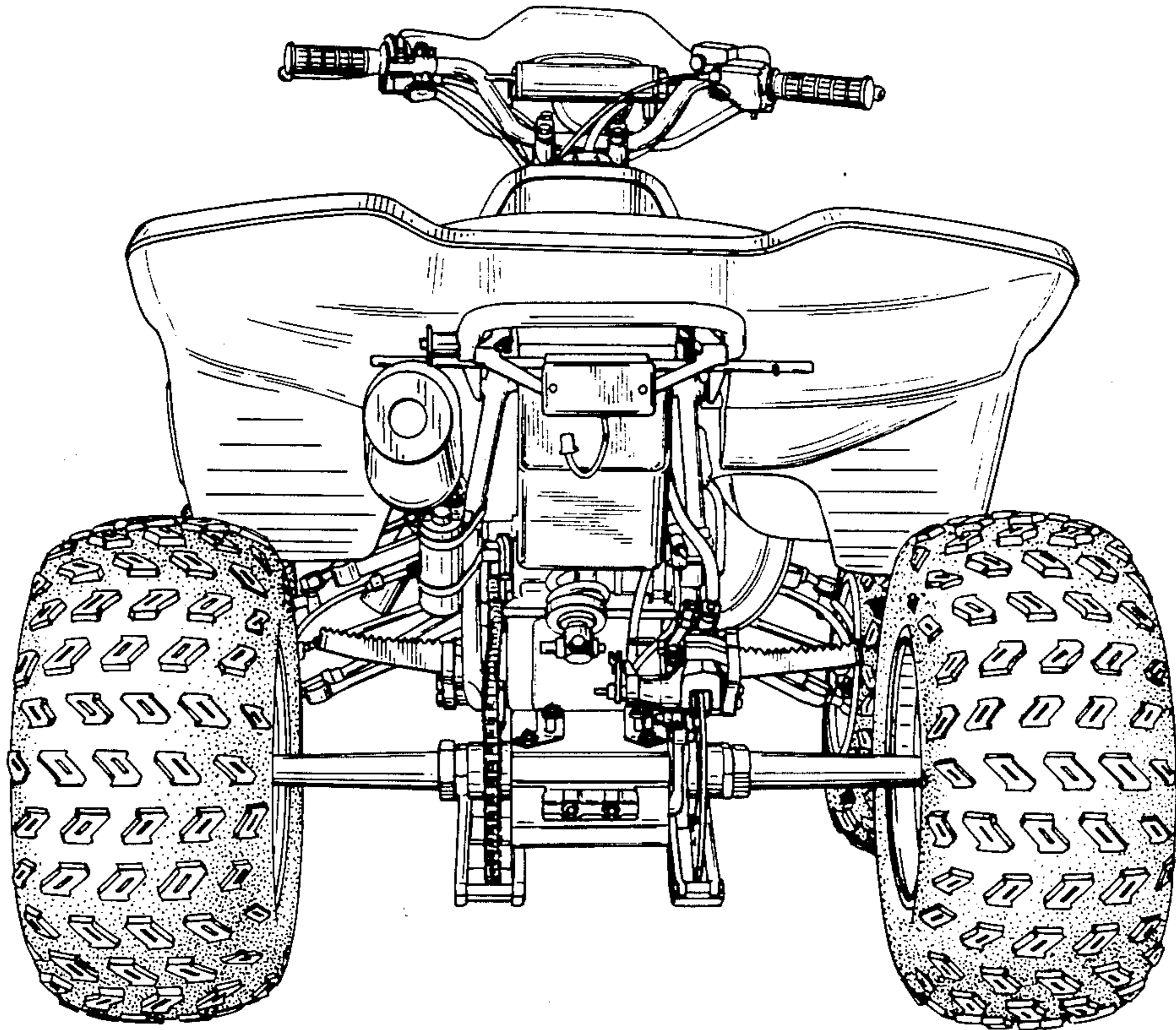


FIG. 3

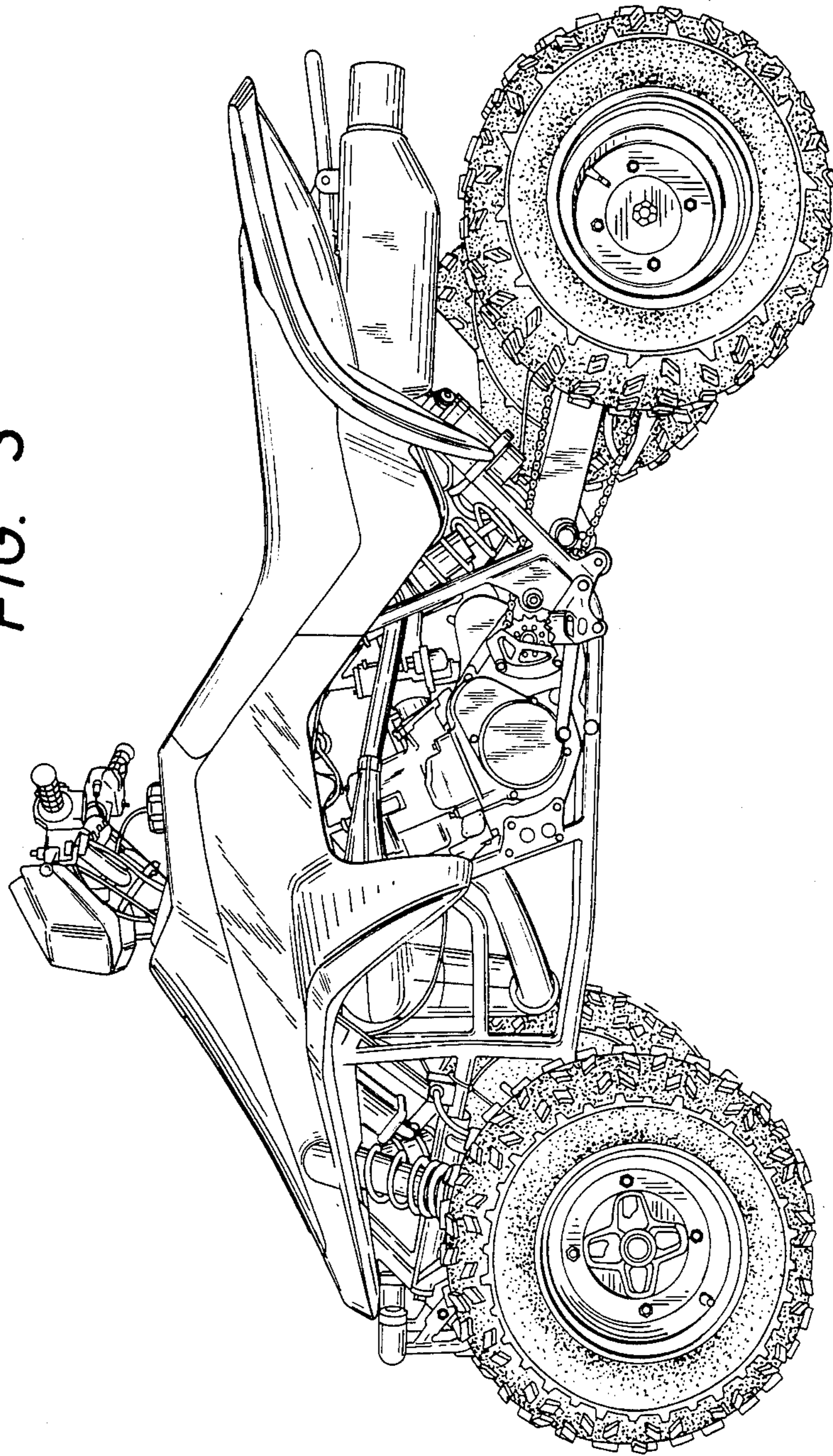


FIG. 4

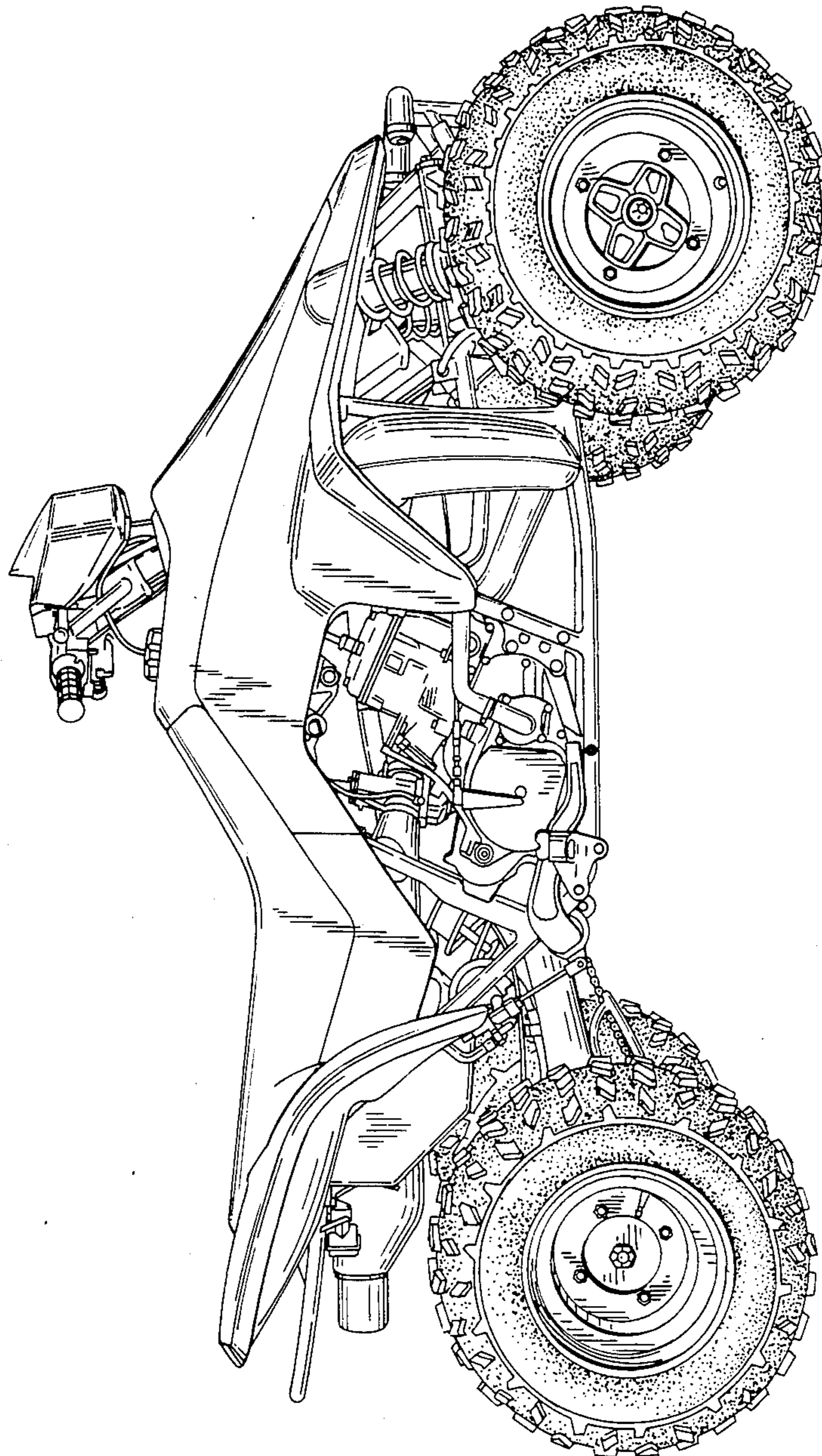


FIG. 5

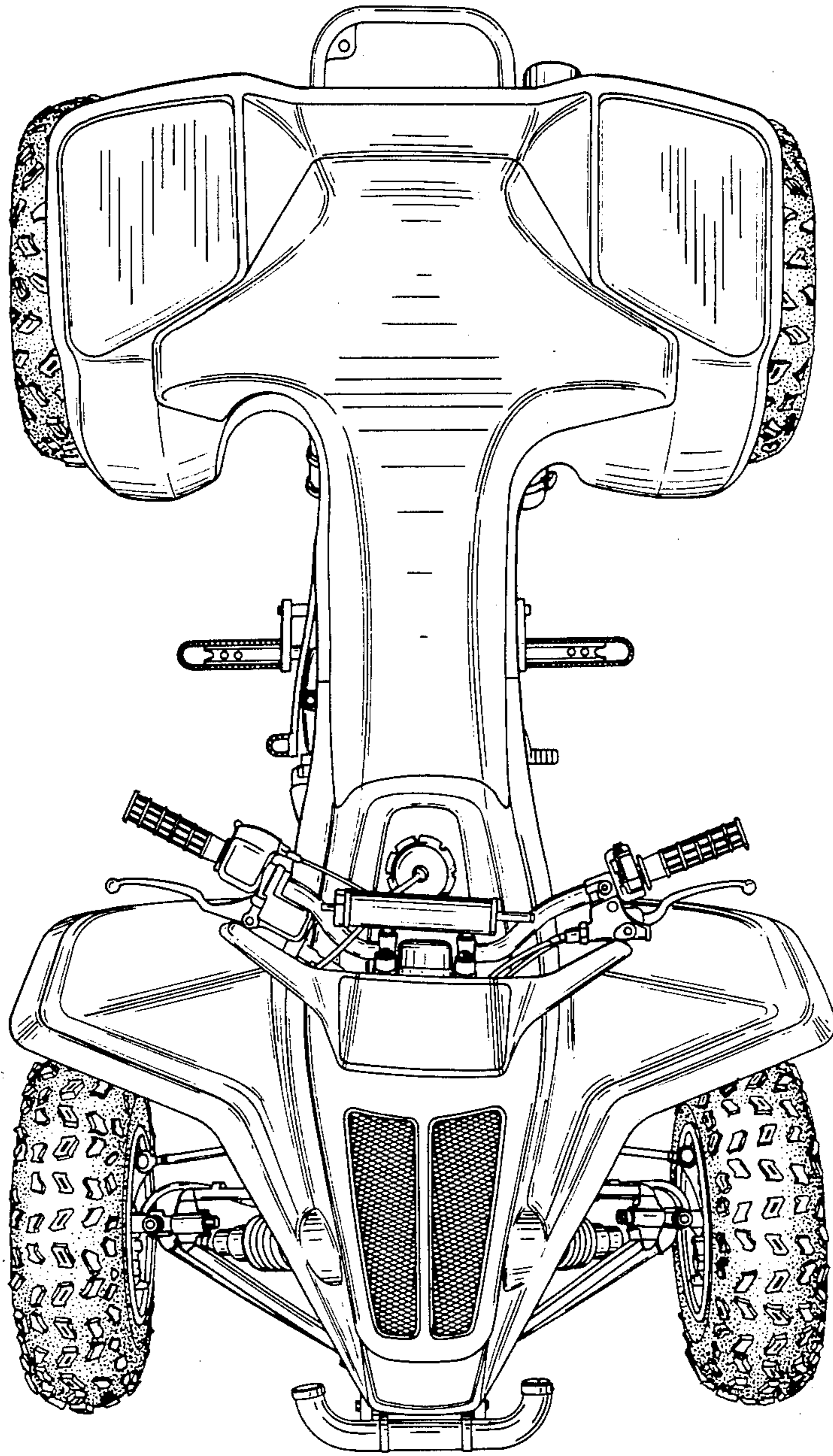


FIG. 6

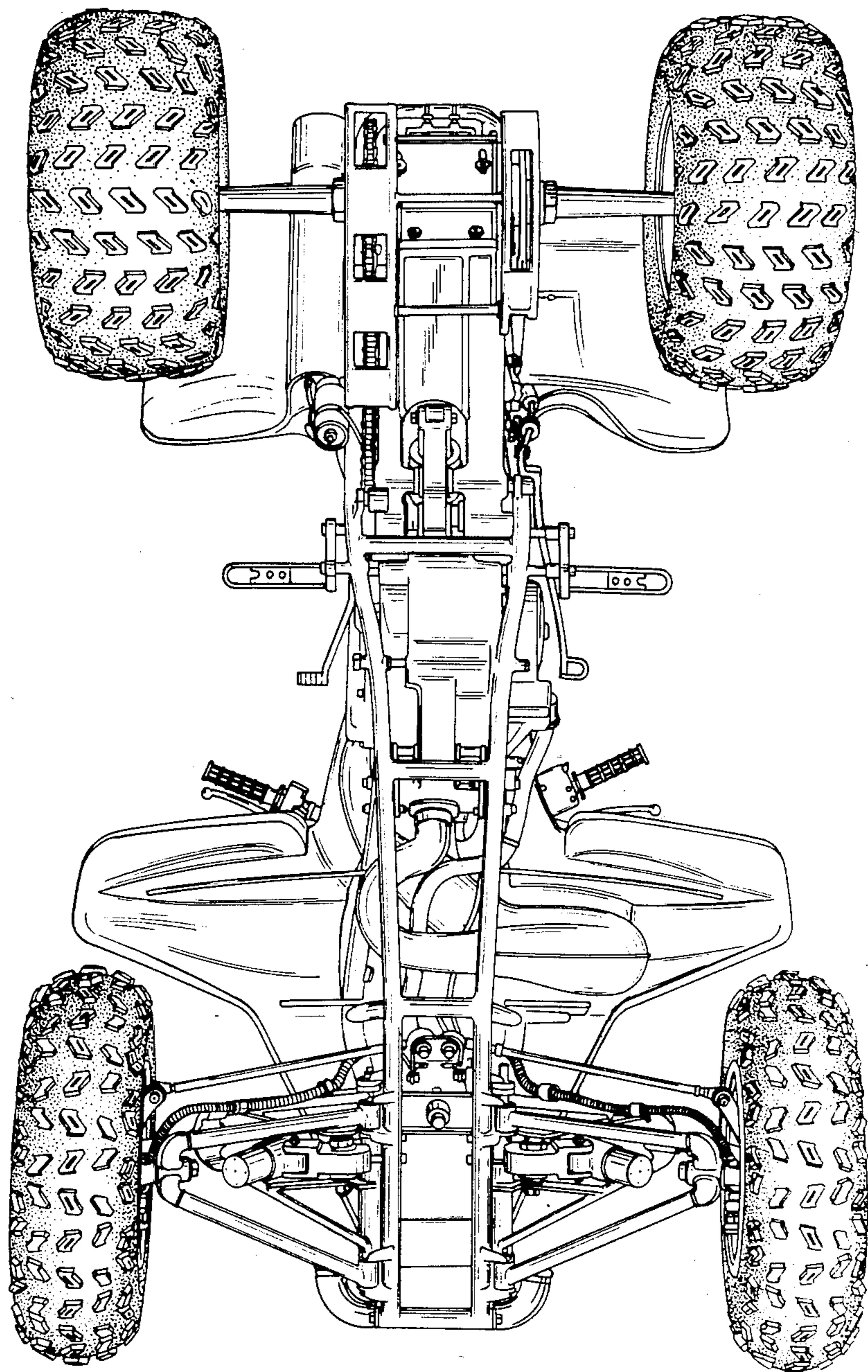


FIG. 7

