

[54] **DISPLAY PACKAGE FOR AUXILIARY LENS**

[75] **Inventor: Norman Didia, Brooklyn, N.Y.**

[73] **Assignee: Rokina Optical Co., Inc., Irvington, N.J.**

[**] **Term: 14 Years**

[21] **Appl. No.: 807,187**

[22] **Filed: Dec. 10, 1985**

[52] **U.S. Cl. D9/415**

[58] **Field of Search D9/345, 307, 414, 415,
D9/424, 425, 426, 337; 206/316, 471, 475;
220/4 E**

[56] **References Cited**

U.S. PATENT DOCUMENTS

D. 205,478 8/1966 Christine D9/415

D. 277,731 2/1985 Sharp D9/415 X
D. 281,224 11/1985 Fireman D9/337
D. 282,718 2/1986 Fireman D9/337
4,512,474 4/1985 Harding 220/4 E X

Primary Examiner—Nelson C. Holtje

Attorney, Agent, or Firm—Roberts, Spieccens & Cohen

[57] **CLAIM**

The ornamental design for a display package for auxiliary lens, as shown and described.

DESCRIPTION

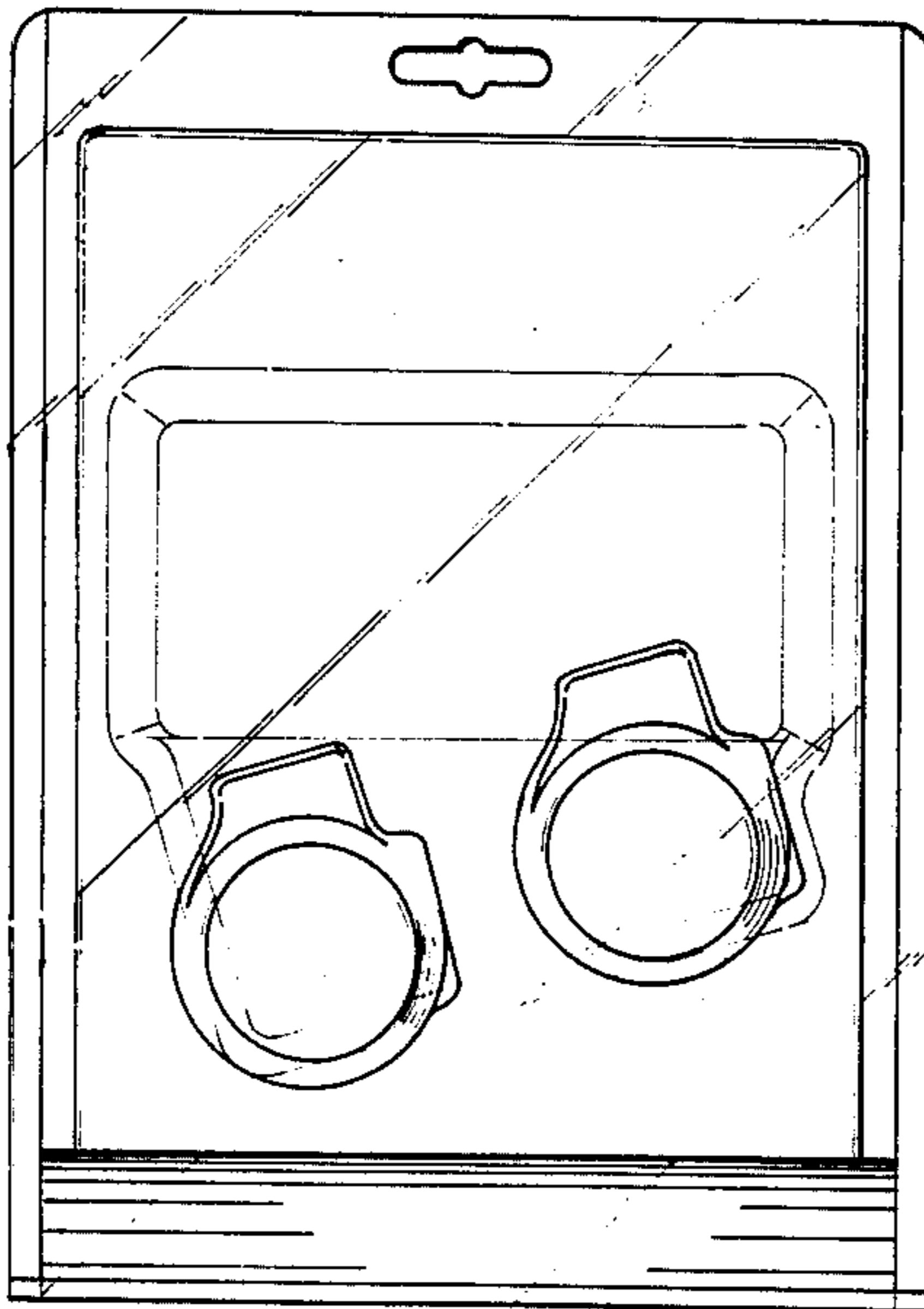
FIG. 1 is a front elevational view of a display package for auxiliary lens showing my new design;

FIG. 2 is a rear elevational view thereof;

FIG. 3 is a left side elevational view thereof, the right side view being a mirror image thereof;

FIG. 4 is a top plan view thereof;

FIG. 5 is a bottom plan view thereof.



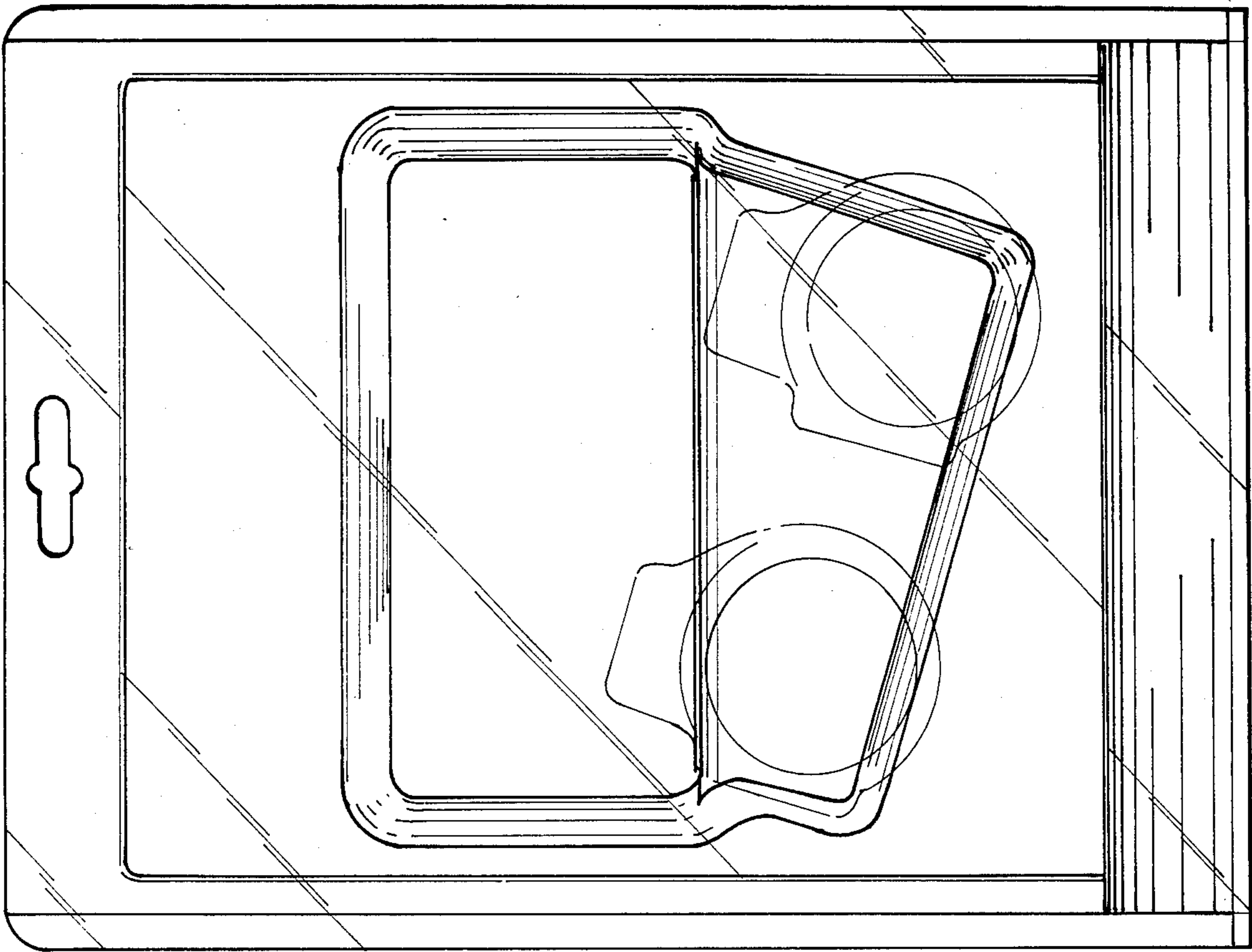


FIG. 1

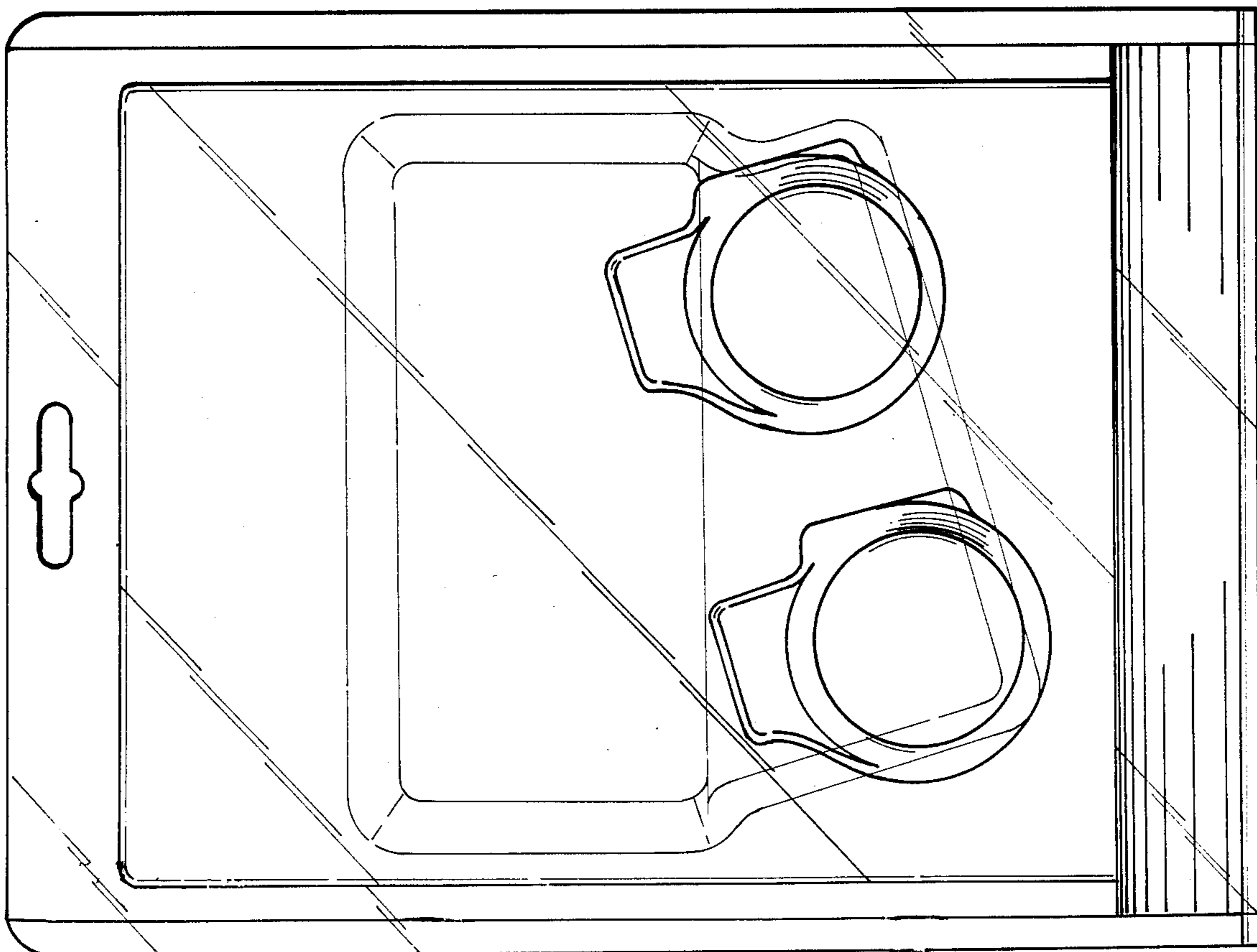


FIG. 2

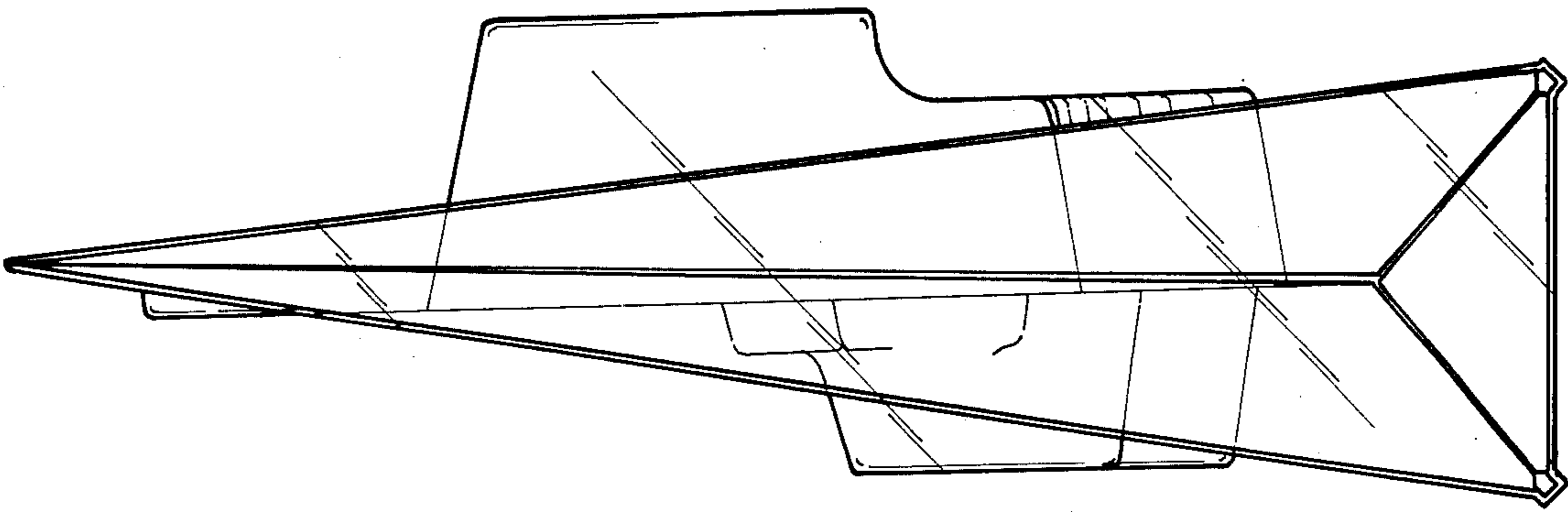


FIG. 3

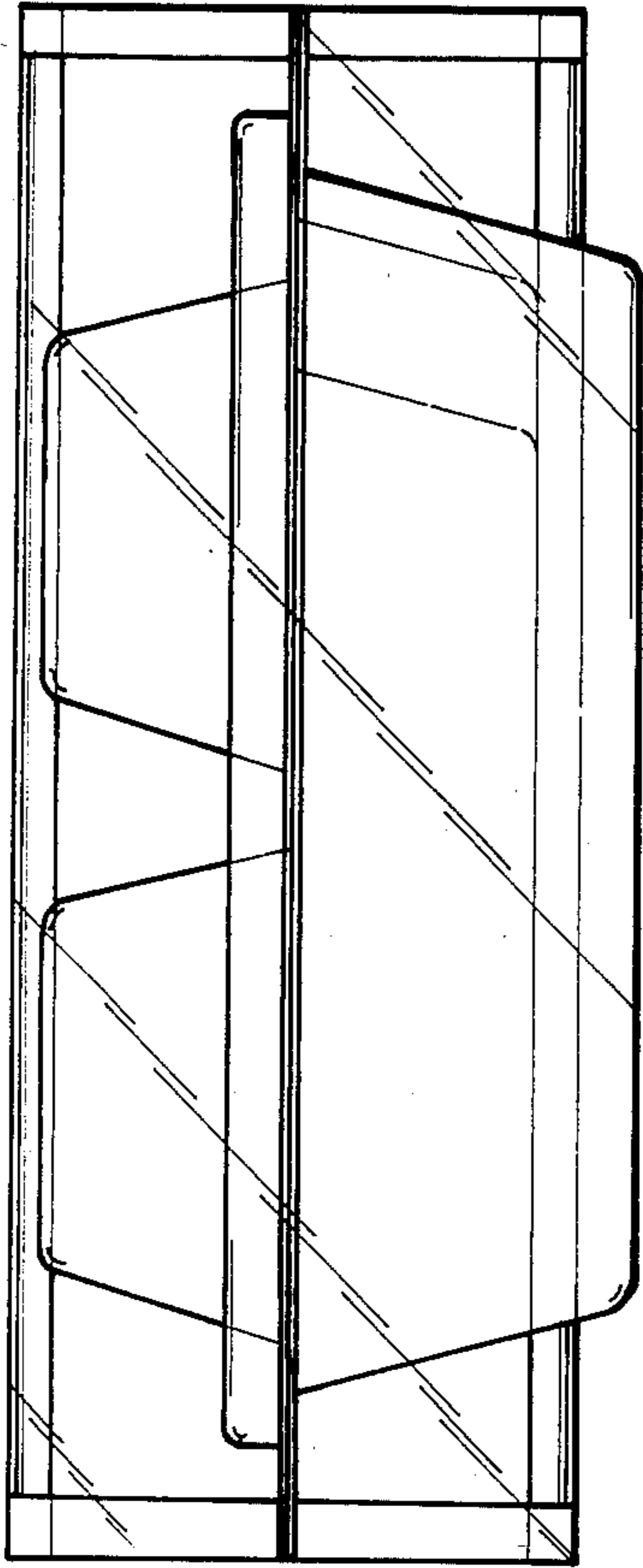


FIG. 4

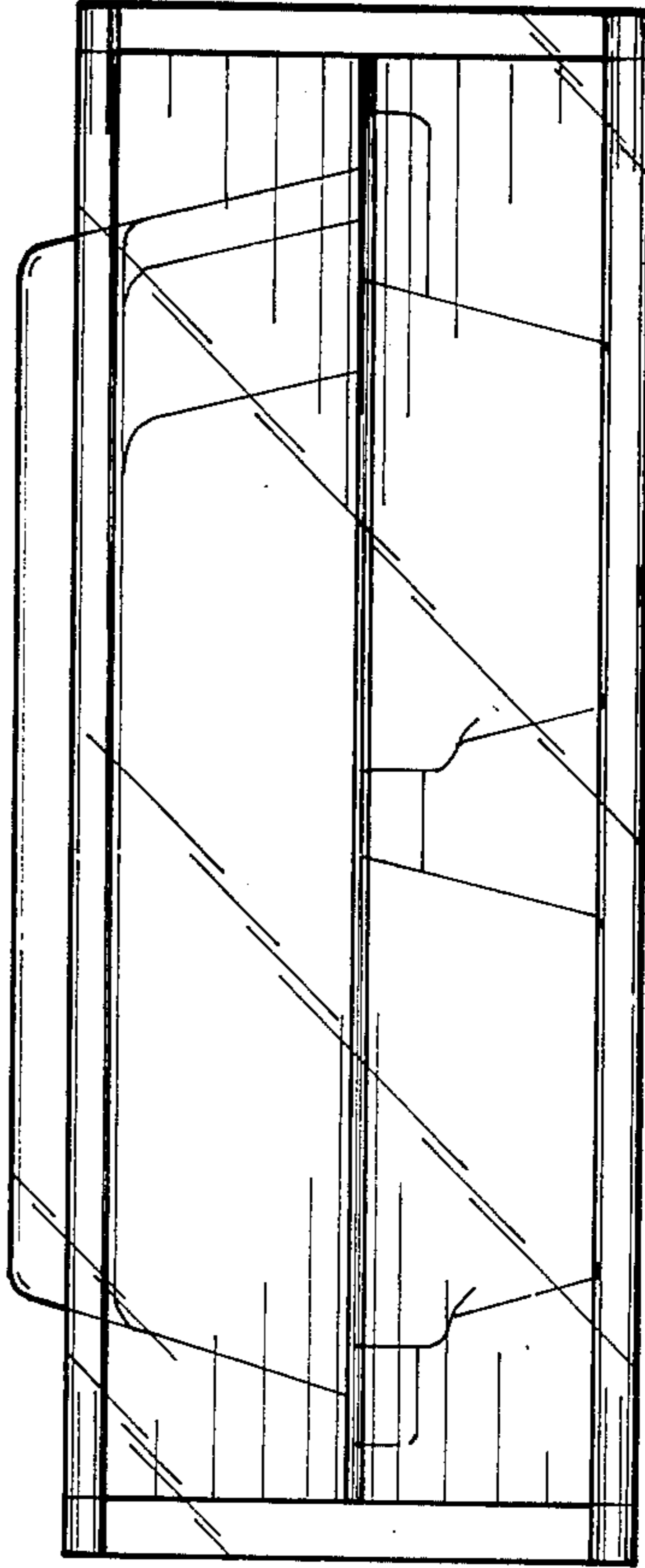


FIG. 5