

[54] MOUNTING FOR ATTACHING A FLASHLIGHT TO A TUBULAR SUPPORT STRUCTURE SUCH AS A GUN BARREL

[76] Inventor: Henry W. Richards, Jr., P.O. Box 21, Meadow, Utah 84644

[**] Term: 14 Years

[21] Appl. No.: 866,616

[22] Filed: May 23, 1986

[52] U.S. Cl. D8/395; D8/396; D22/110

[58] Field of Search D8/394-396; D22/110; 42/100, 101, 103; 362/110, 118, 188, 396; 24/336, 339

[56] References Cited

U.S. PATENT DOCUMENTS

D. 248,309	6/1978	Weast	D22/110
D. 272,802	2/1984	Dall-Winther	D8/396
D. 293,206	12/1987	Beaty et al.	D8/395
D. 293,460	12/1987	Williams	.	
3,222,511	12/1965	Breeding	.	
3,382,545	5/1968	Spenner	24/339
3,488,488	1/1970	Crouch	.	
3,513,581	5/1970	Slater	.	
4,002,349	1/1977	Dopp	24/339
4,348,716	9/1982	Storm et al.	.	
4,407,472	10/1983	Beck	24/339
4,481,561	11/1984	Lanning	.	

4,542,447 9/1985 Quakenbush 362/370

FOREIGN PATENT DOCUMENTS

0217521 of 1942 Switzerland .
1385085 of 1975 United Kingdom .

OTHER PUBLICATIONS

Catalogue entitled "The Ultimate Choice", p. 8, Copyright 1986.

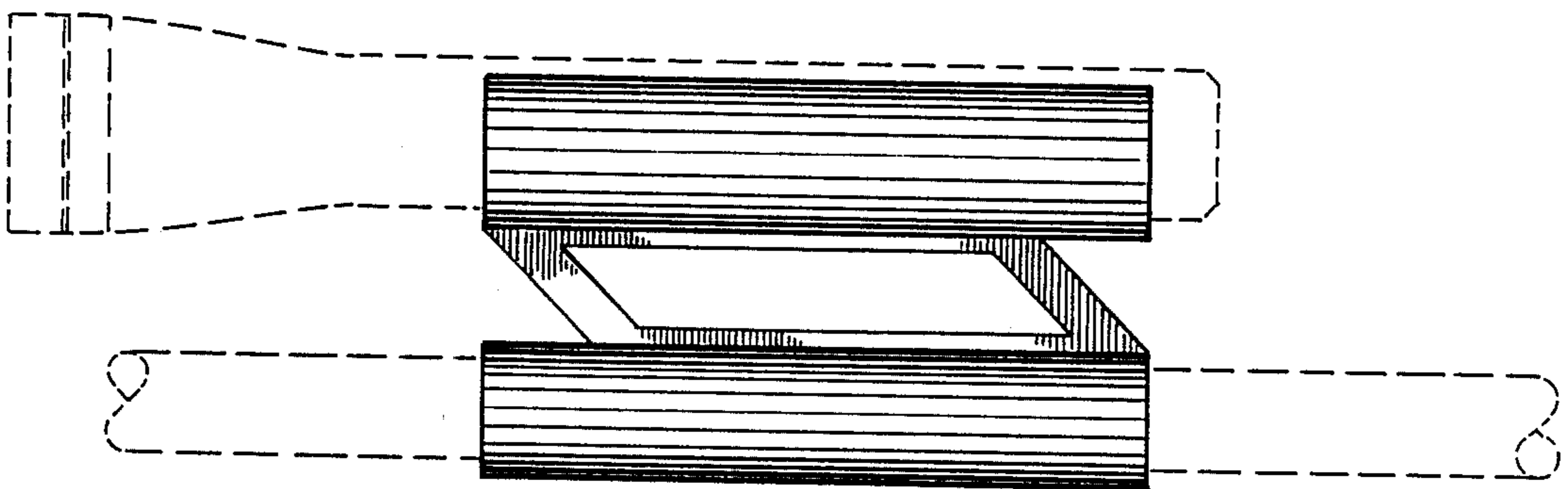
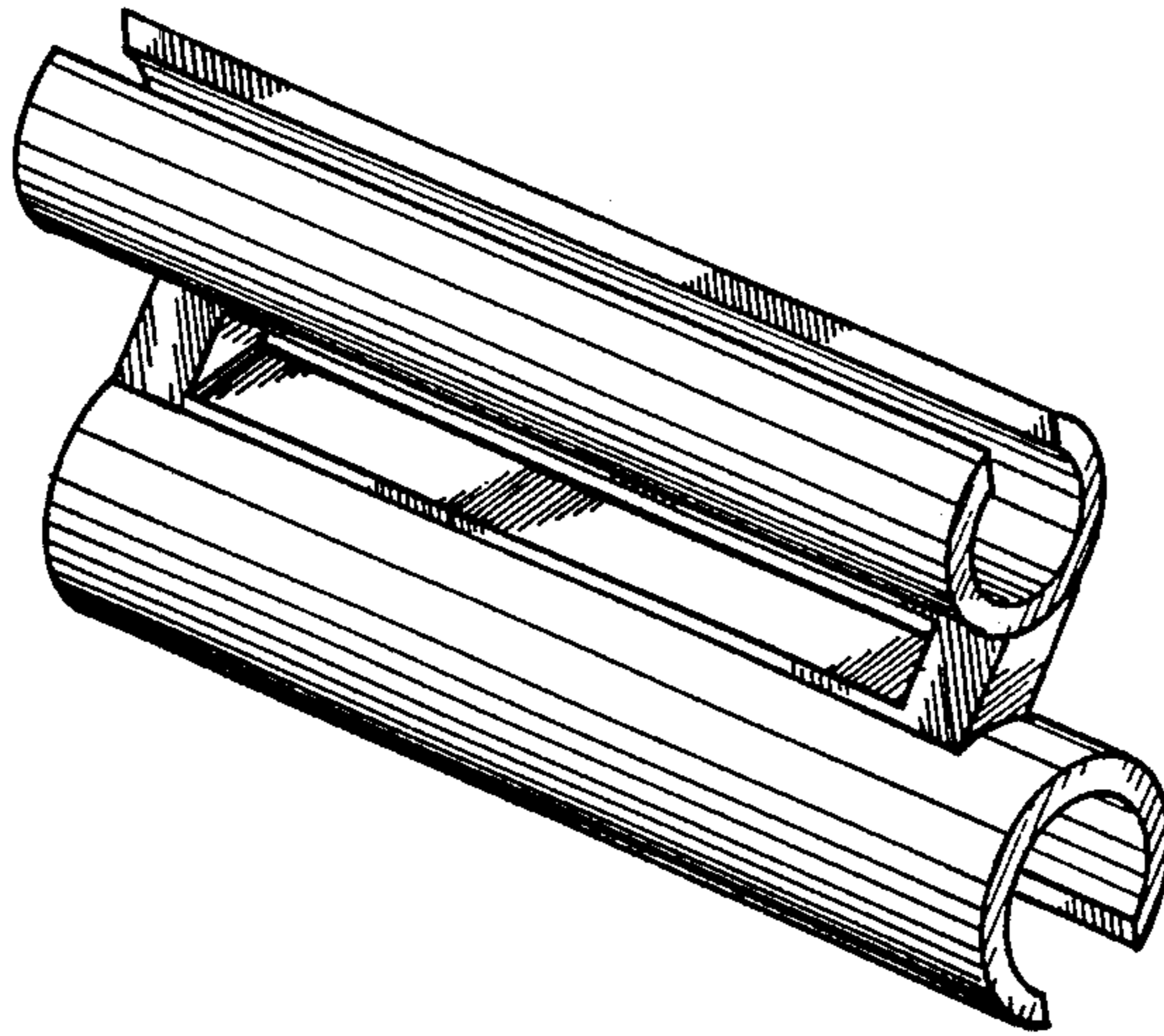
Primary Examiner—B. J. Bullock
Attorney, Agent, or Firm—Trask, Britt & Rossa

[57] CLAIM

The ornamental design for a mounting for attaching a flashlight to a tubular support structure such as a gun barrel, as shown and described.

DESCRIPTION

FIG. 1 is a front perspective view of a mounting for attaching a flashlight to a tubular support structure such as a gun barrel showing my design; FIG. 2 is a front elevational view, the rear being a mirror image thereof; FIG. 3 is a top plan view; FIG. 4 is a bottom plan view; FIG. 5 is a side elevational view, both sides being substantially identical; FIG. 6 is a side elevational view shown inverted from FIG. 2, the flashlight and tubular support being shown in broken lines for illustrative purposes only.



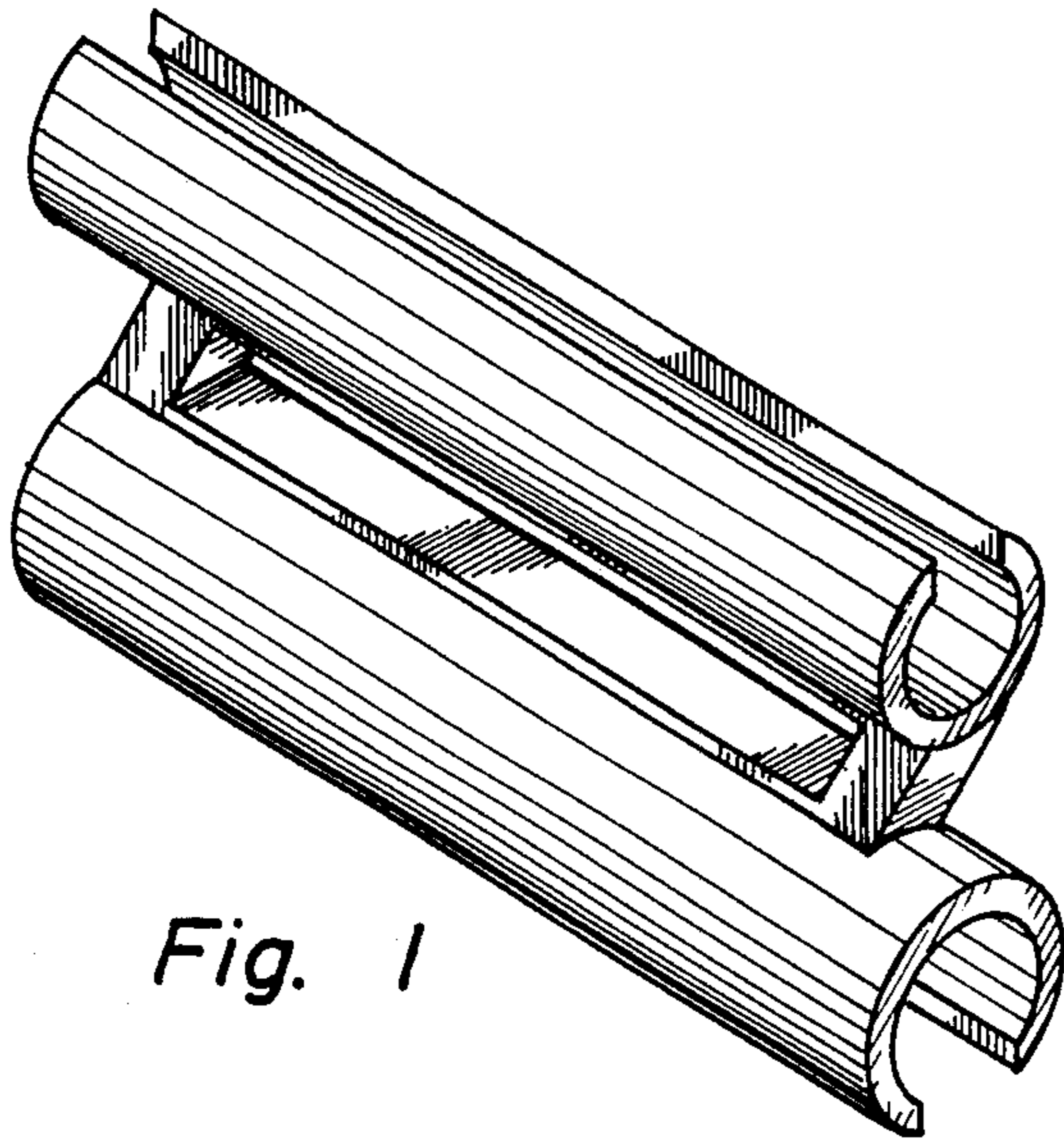


Fig. 1

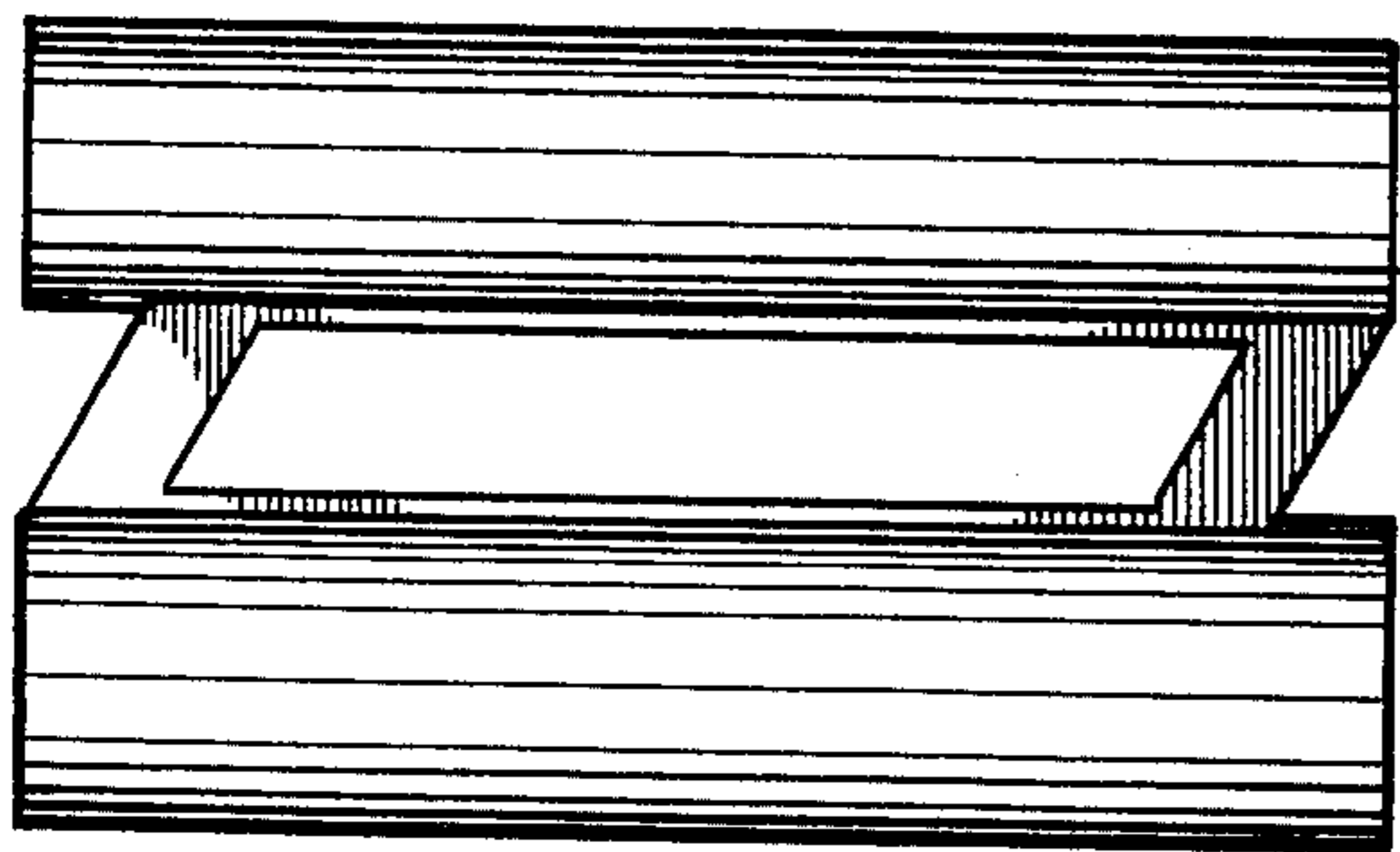


Fig. 2

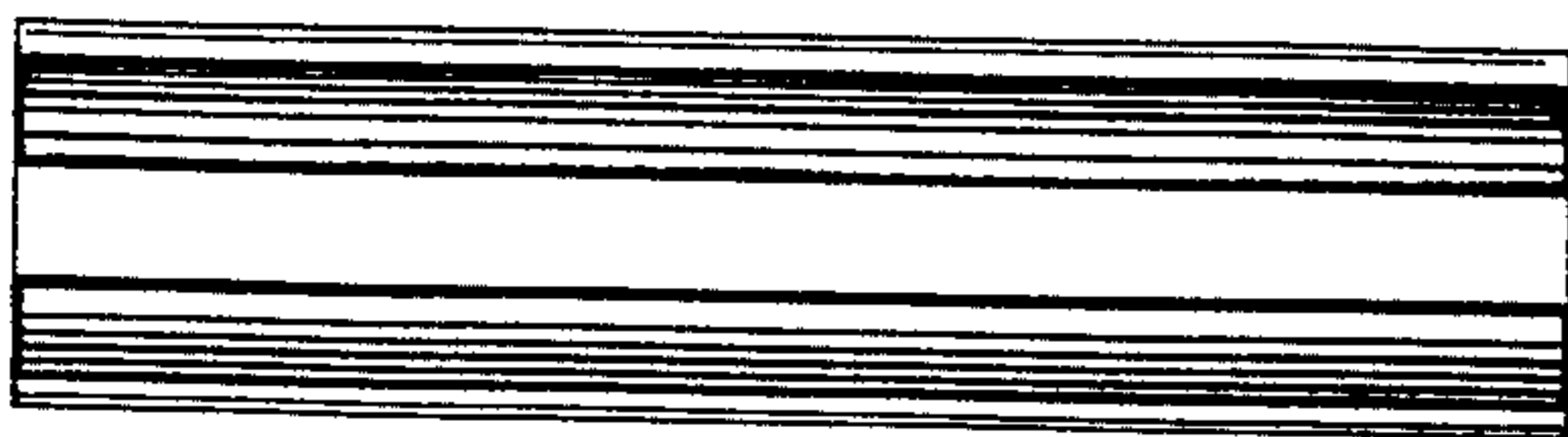


Fig. 3

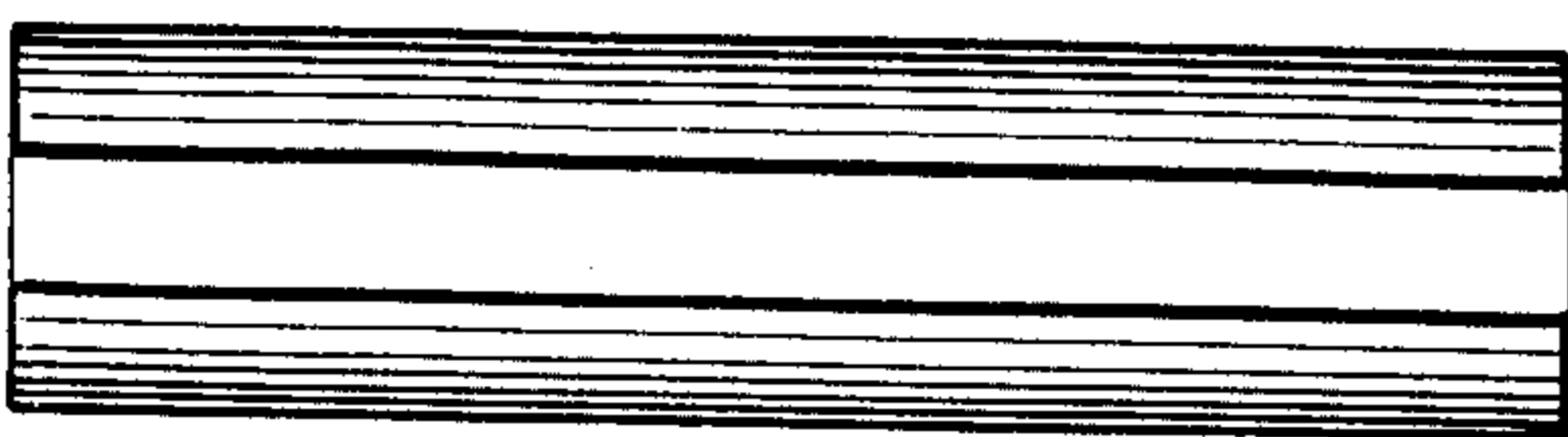


Fig. 4

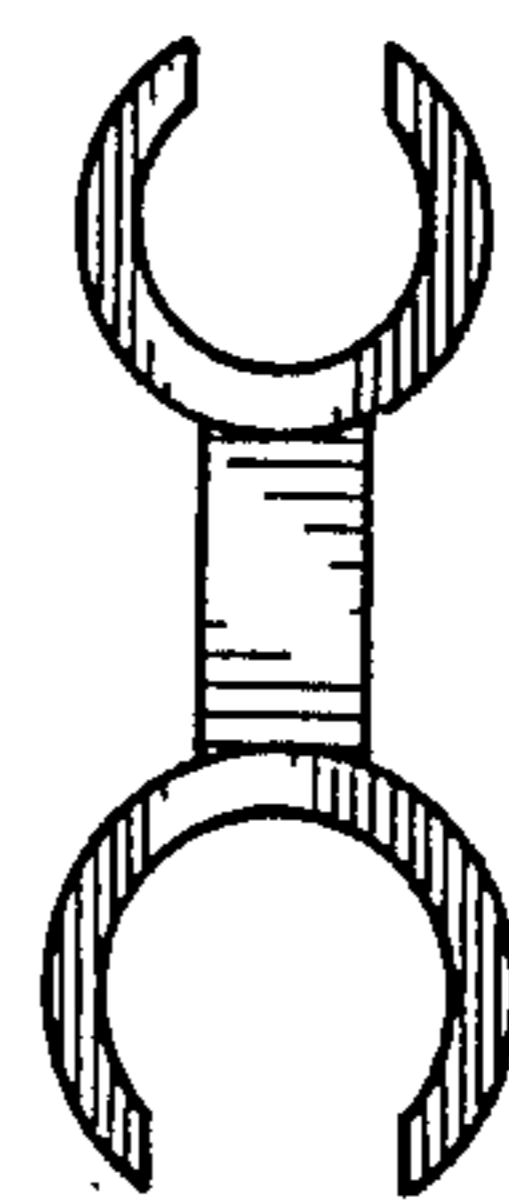


Fig. 5

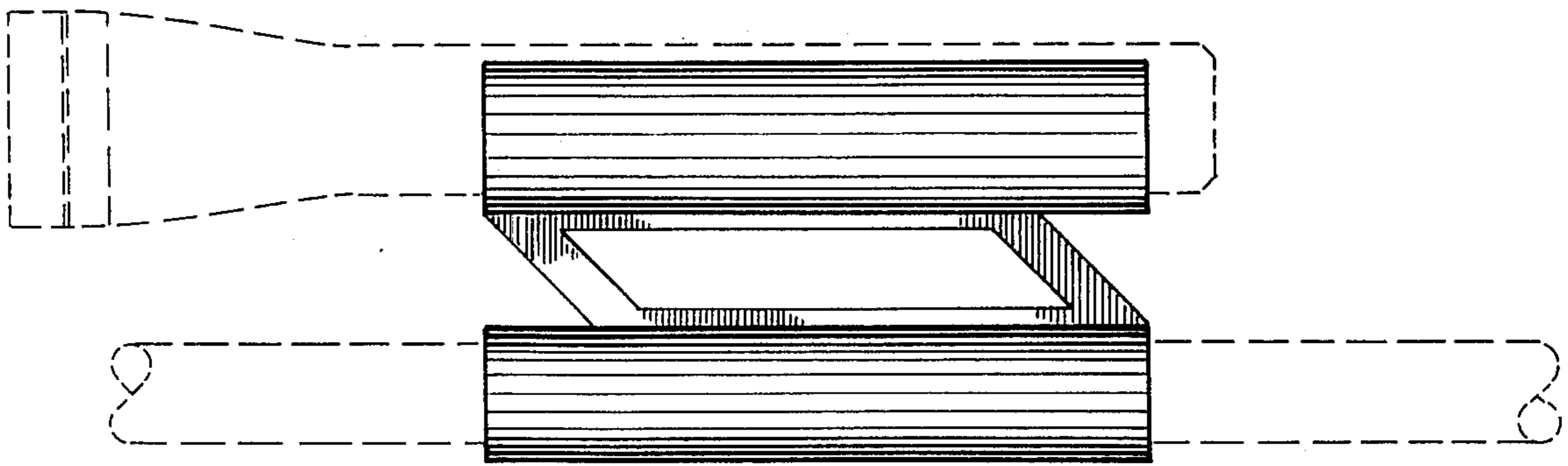


Fig. 6