

United States Patent [19]

Wallace

[11] Patent Number: **Des. 298,737**

[45] Date of Patent: **** Nov. 29, 1988**

[54] **PROTECTIVE COVER FOR NUT OR BOLT HEADS**

[76] Inventor: **Wayne D. Wallace, 212 Mason Dr., Centerville, Ga. 31028**

[**] Term: **14 Years**

[21] Appl. No.: **705,378**

[22] Filed: **Feb. 25, 1985**

[52] U.S. Cl. **D8/387; D8/397; D8/499**

[58] Field of Search **D8/382, 387, 397, 499; 411/371, 373, 429-432; D12/213**

[56] **References Cited**

U.S. PATENT DOCUMENTS

D. 218,226 8/1970 Painaud D8/387
D. 249,227 9/1978 Ismert, III et al. D8/387

1,450,583	4/1923	Ferry	411/429
3,072,423	1/1963	Charlton	411/371
3,273,441	9/1966	Blesecker	411/429
3,921,687	11/1975	Stencel	411/371
4,129,060	12/1978	Gould	411/371
4,582,462	4/1986	Thiel	411/371

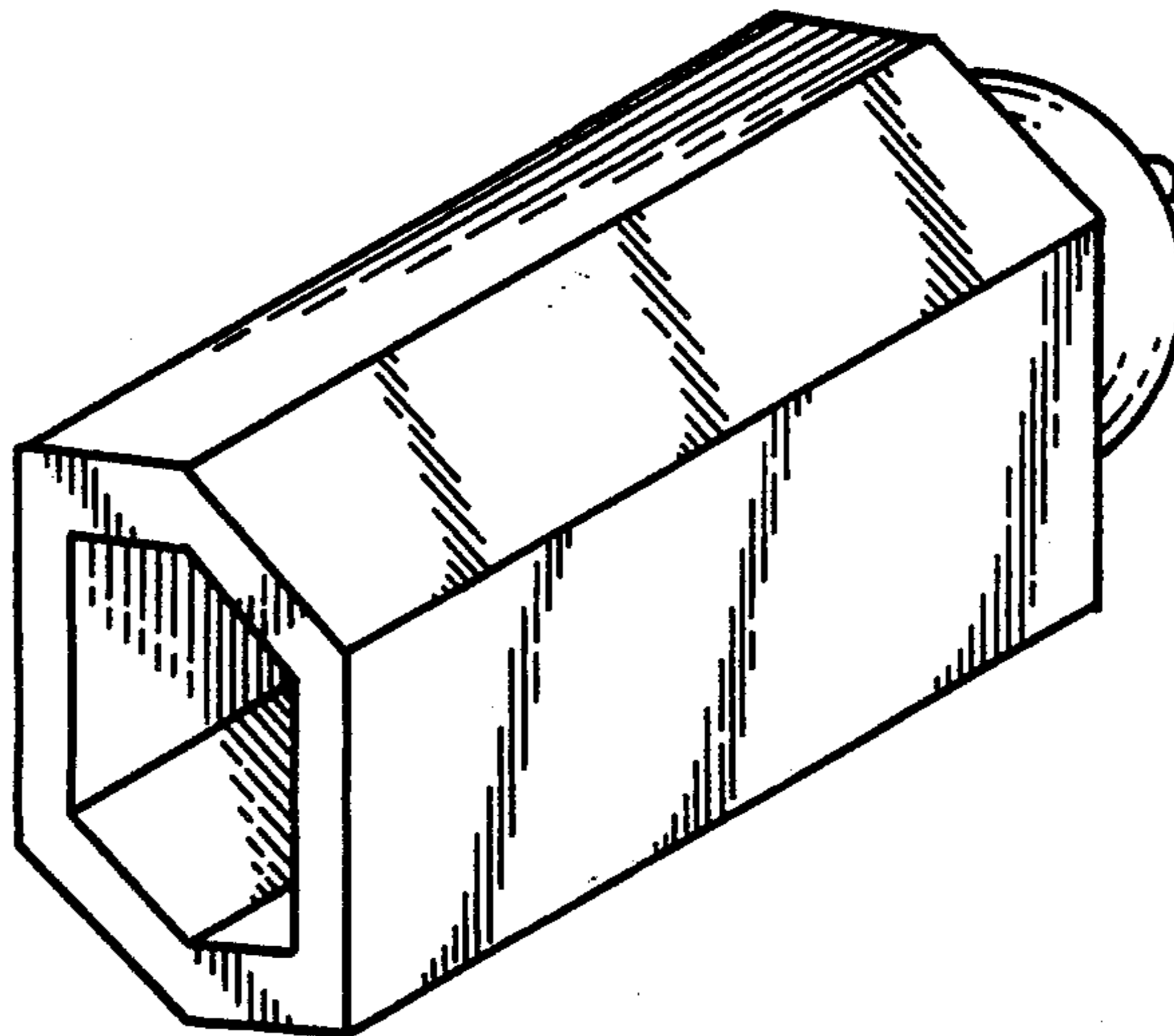
Primary Examiner—B. J. Bullock
Attorney, Agent, or Firm—Terry M. Gernstein

[57] CLAIM

The ornamental design for a protective cover for nut or bolt heads, as shown.

DESCRIPTION

FIG. 1 is a rear perspective view of a protective cover for nut or bolt heads showing my new design; FIG. 2 is a side view thereof; FIG. 3 is a rear view thereof; and FIG. 4 is a front view thereof.



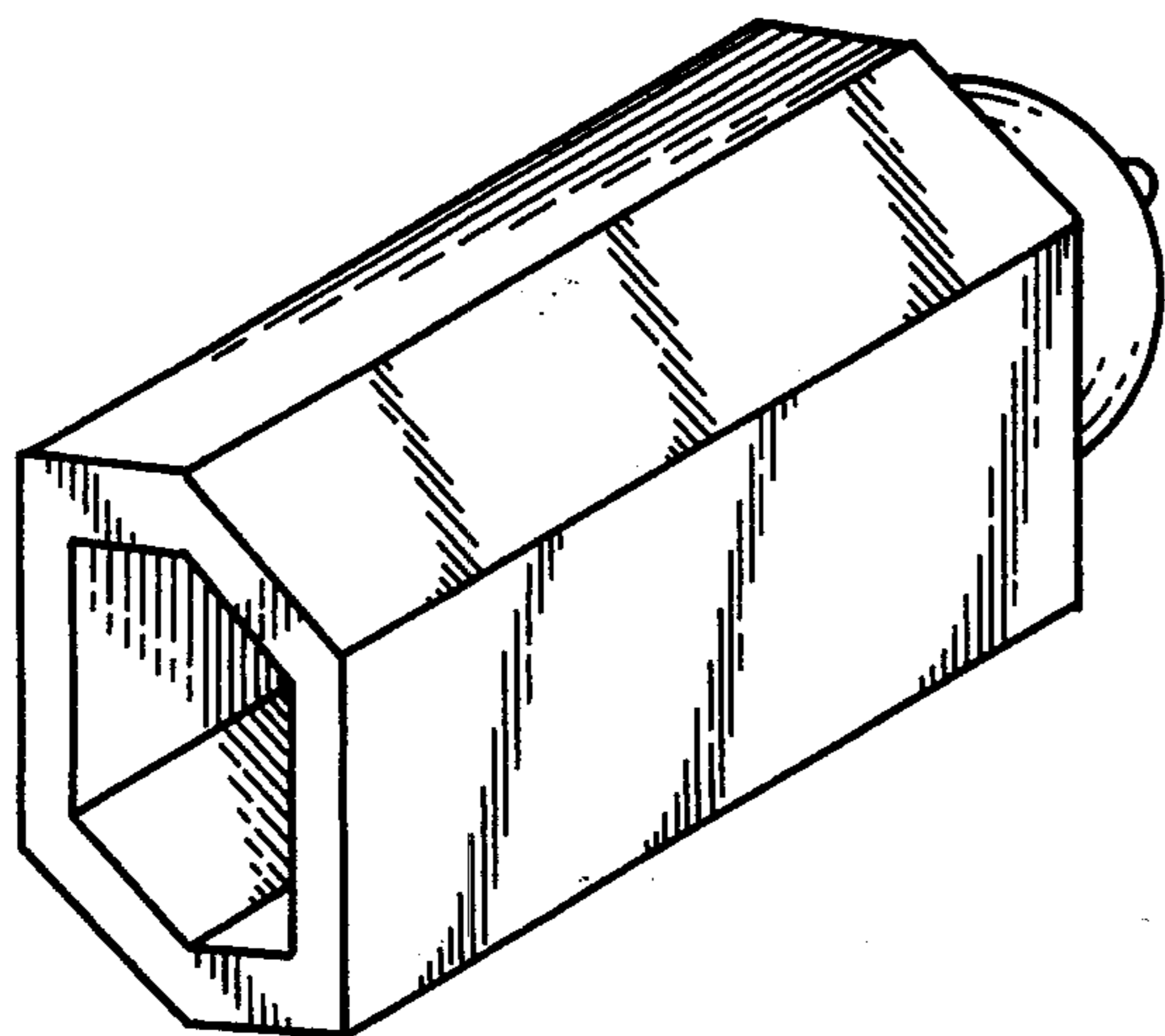


Fig. 1

Fig. 2

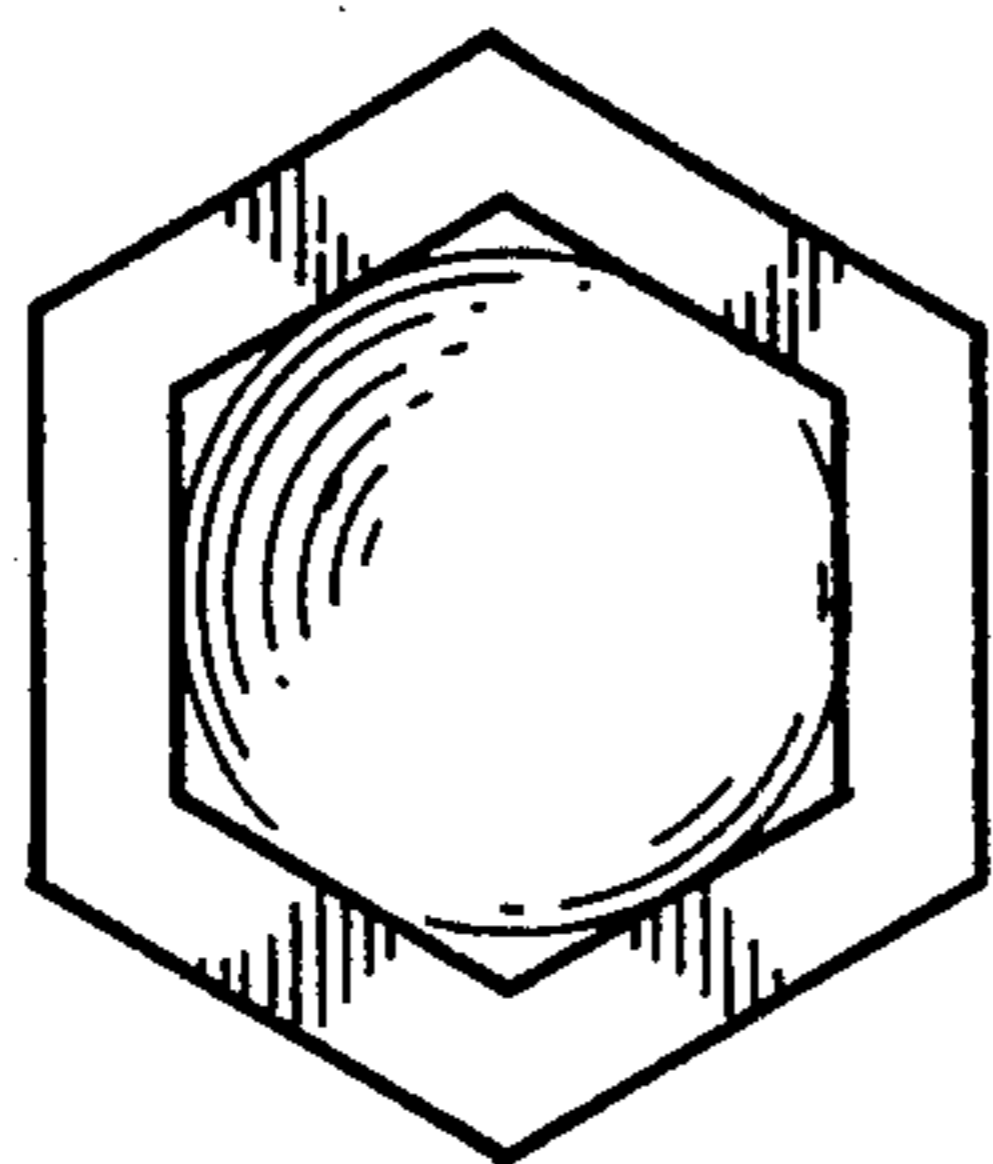
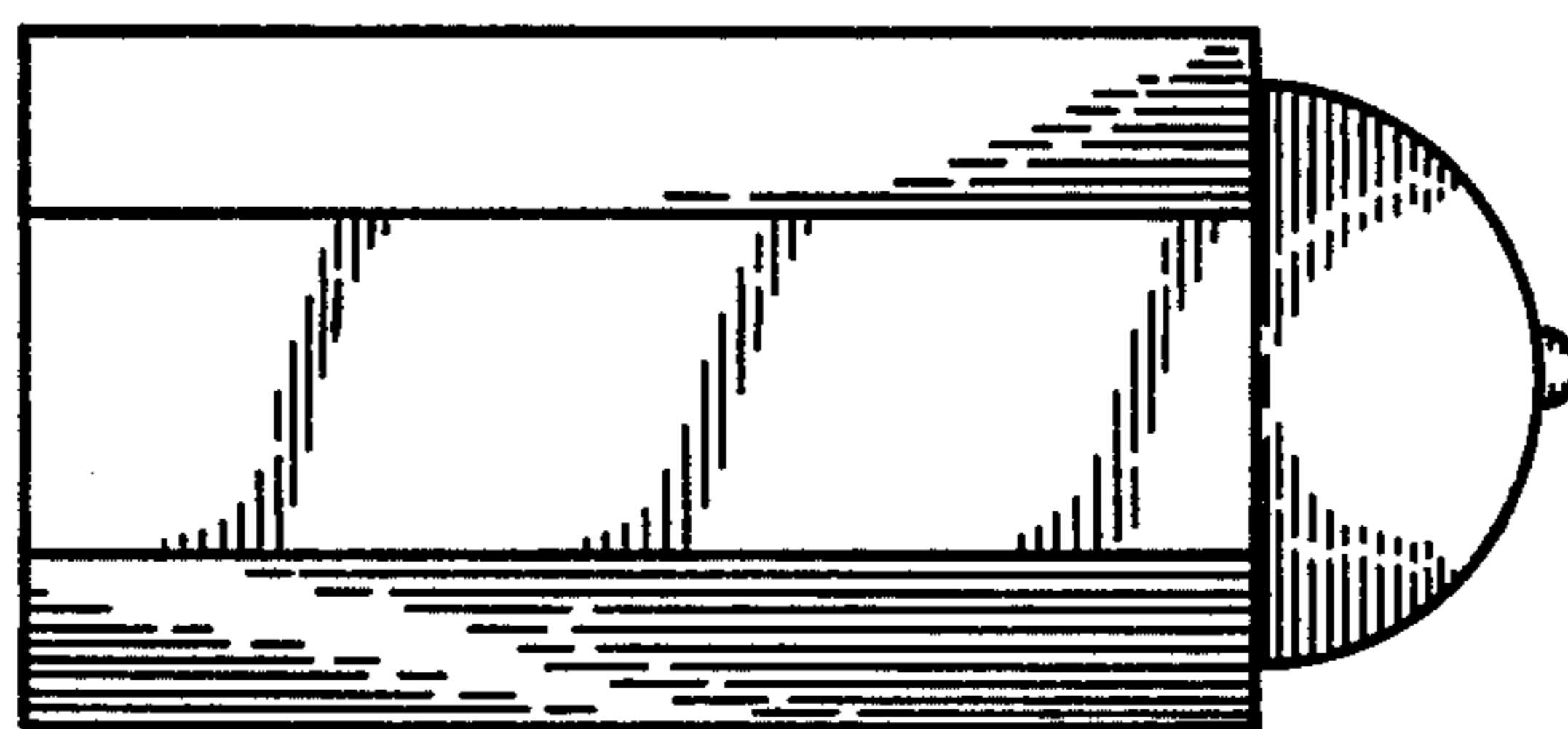


Fig. 3

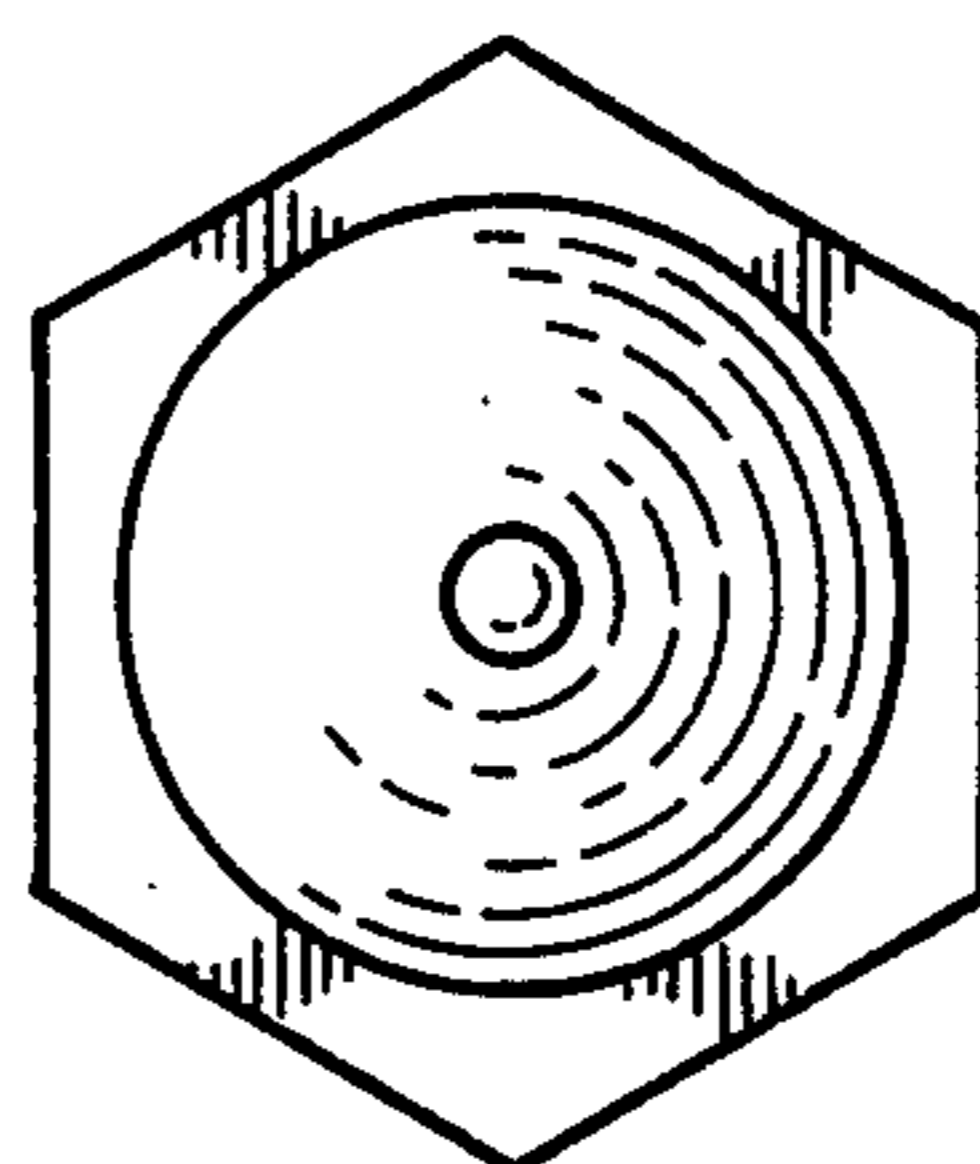


Fig. 4