

[54] **PANEL FASTENER OR THE LIKE**

[75] **Inventor:** Toshiyuki Shiraishi, Yokohama, Japan

[73] **Assignee:** Nifco Inc., Yokohama, Japan

[**] **Term:** 14 Years

[21] **Appl. No.:** 845,374

[22] **Filed:** Mar. 20, 1986

[30] **Foreign Application Priority Data**

Sep. 26, 1985 [JP] Japan 60-40477

[52] **U.S. Cl.** D8/388; D8/382;
D8/393

[58] **Field of Search** D8/382, 385, 386, 388,
D8/393; 400/500, 508, 509, 570; 52/511;
24/297, 703

[56] **References Cited**

U.S. PATENT DOCUMENTS

D. 268,006 2/1983 Wollar D8/382

OTHER PUBLICATIONS

Fastex Push Fasteners; ©1982; p. 8; Truss Head.

Primary Examiner—B. J. Bullock

Attorney, Agent, or Firm—Trexler, Bushnell, Giangiorgi & Blackstone, Ltd.

[57] **CLAIM**

The ornamental design for a panel fastener or the like, as shown and described.

DESCRIPTION

FIG. 1 is a top plan view of a panel fastener or the like, showing my new design;

FIG. 2 is a bottom plan view thereof;

FIG. 3 is a front elevational view thereof;

FIG. 4 is a side elevational view taken from the right of FIG. 3;

FIG. 5 is an enlarged top, right, perspective view thereof;

FIG. 6 is a vertical sectional view thereof, the panels being shown in broken lines for illustrative purposes only.

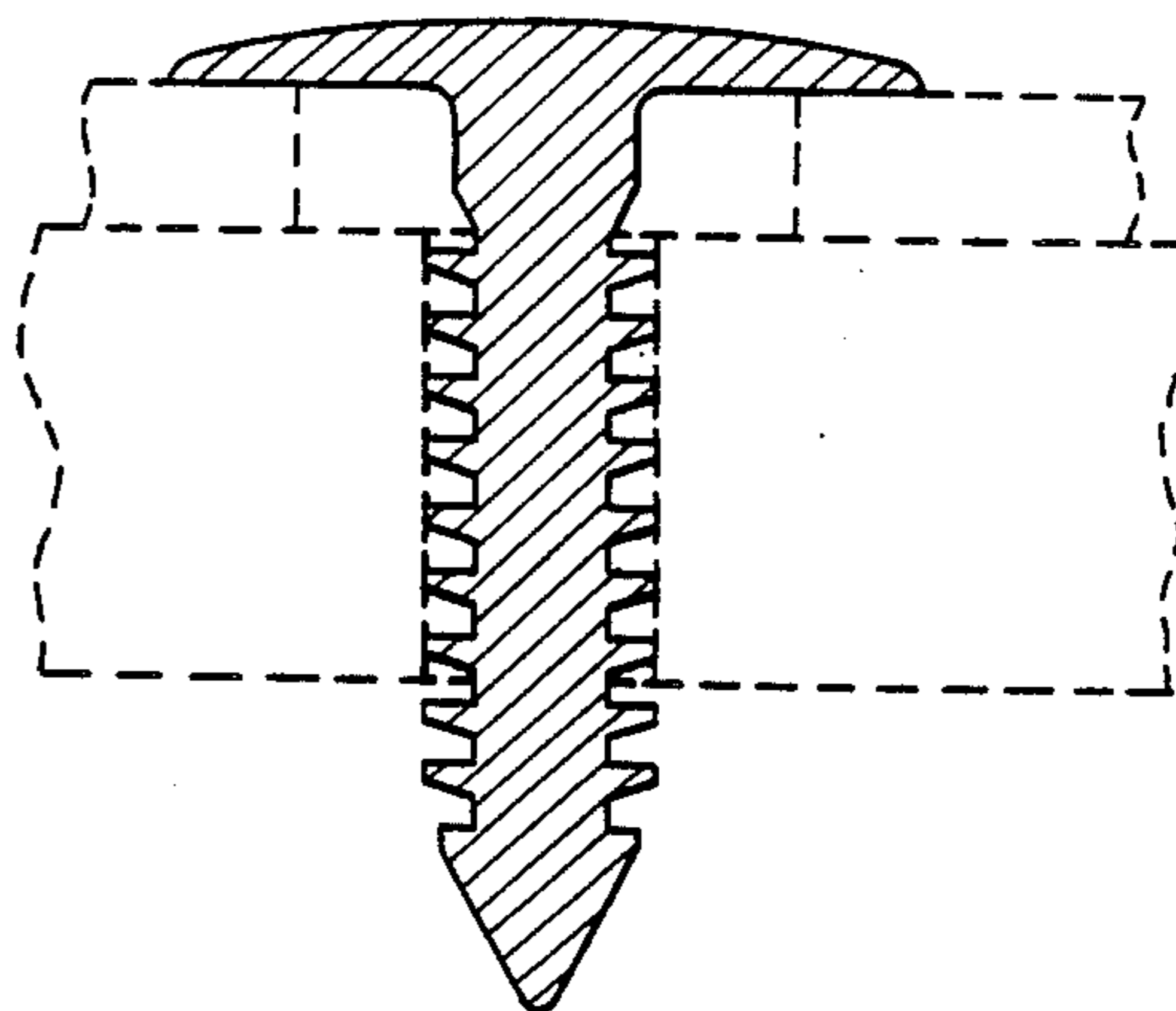
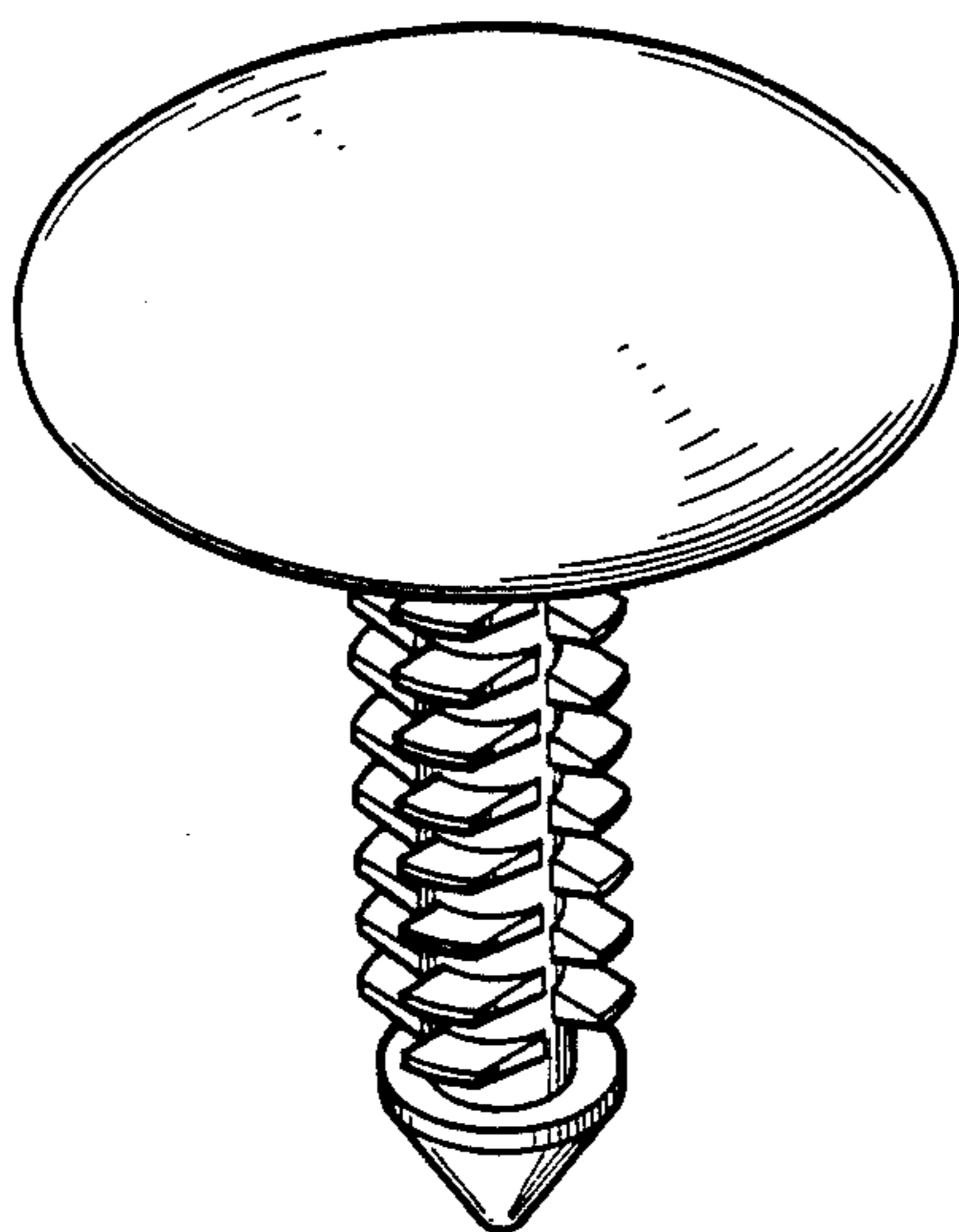


FIG. 1

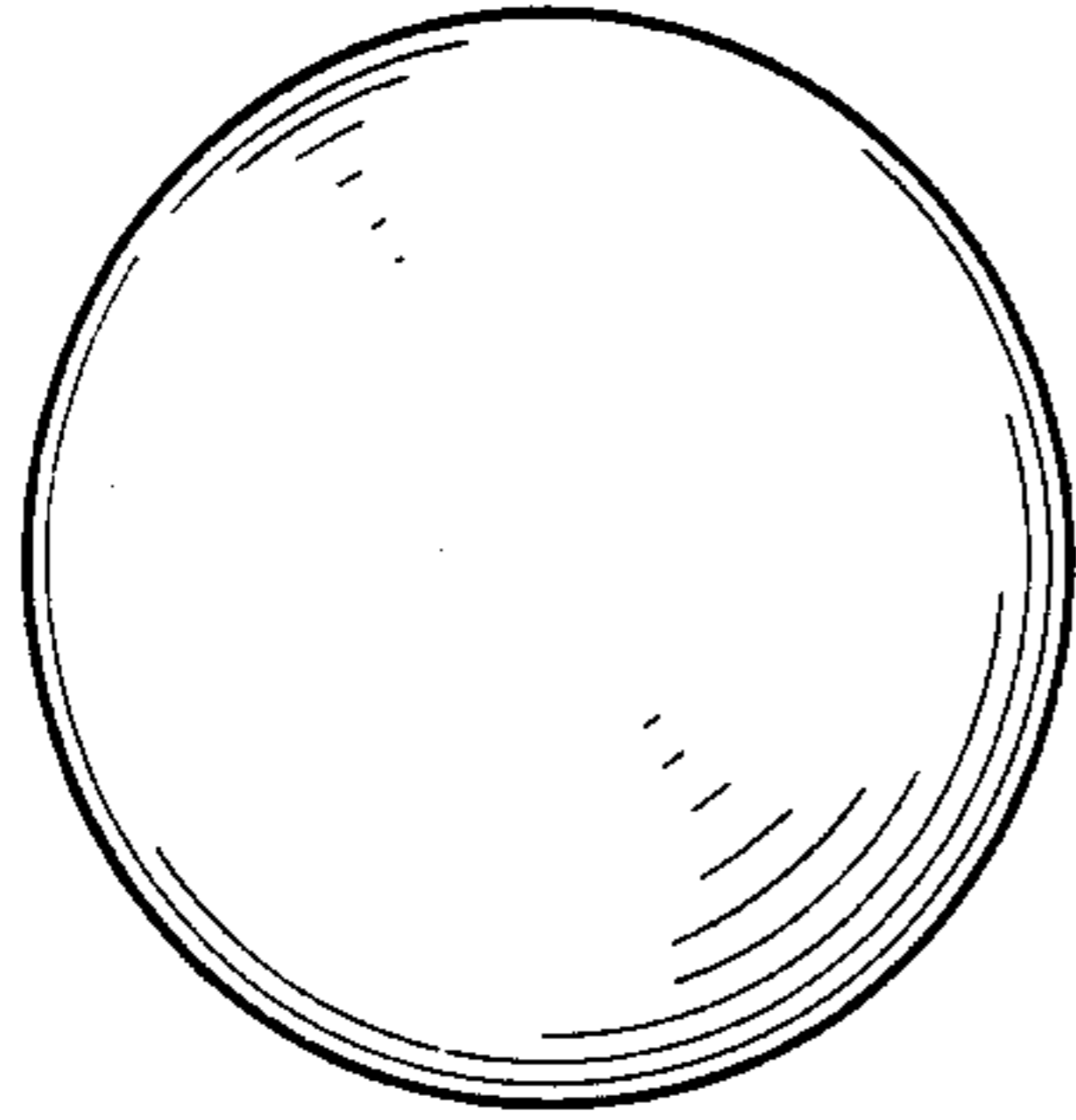


FIG. 2

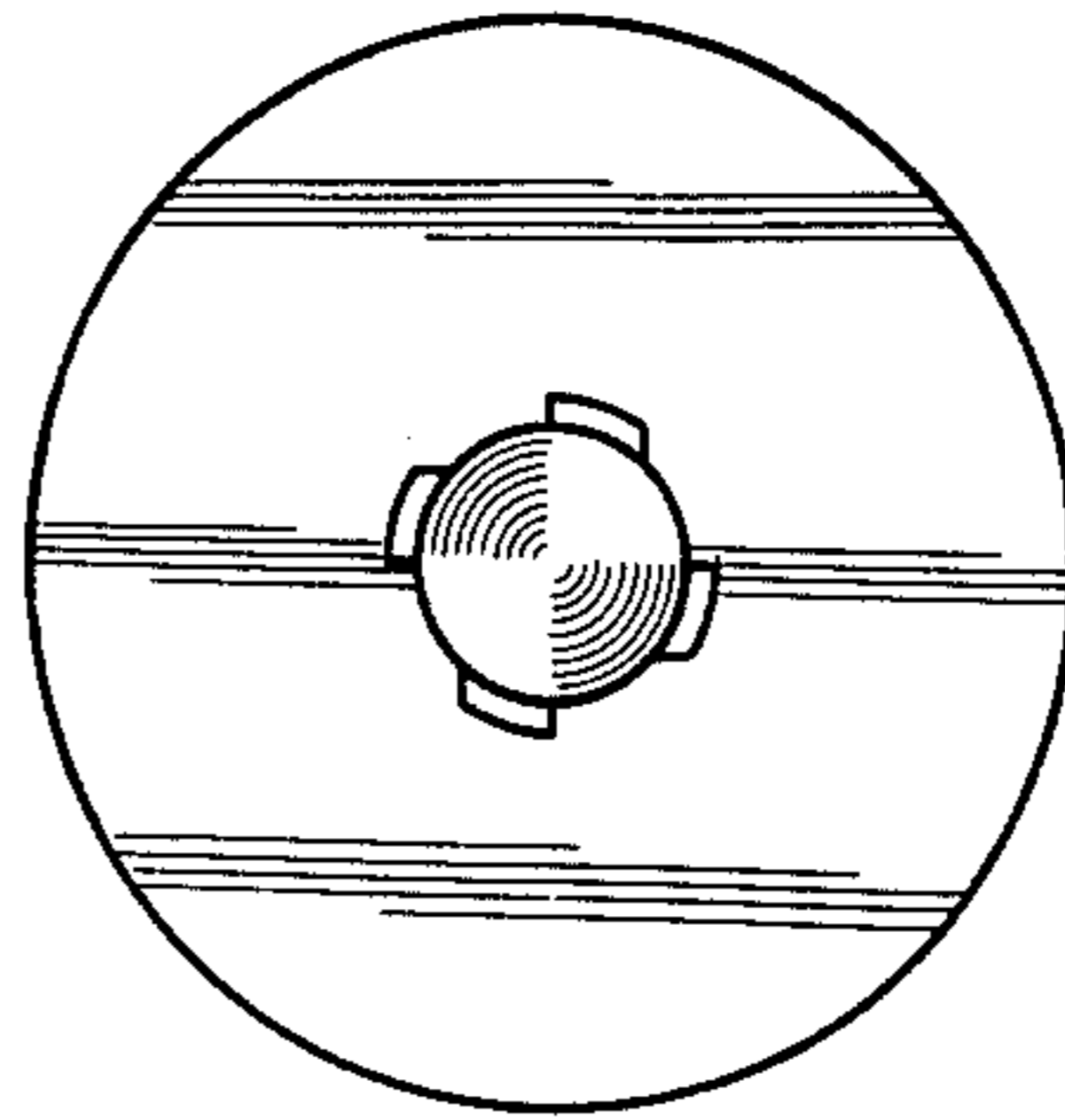


FIG. 3

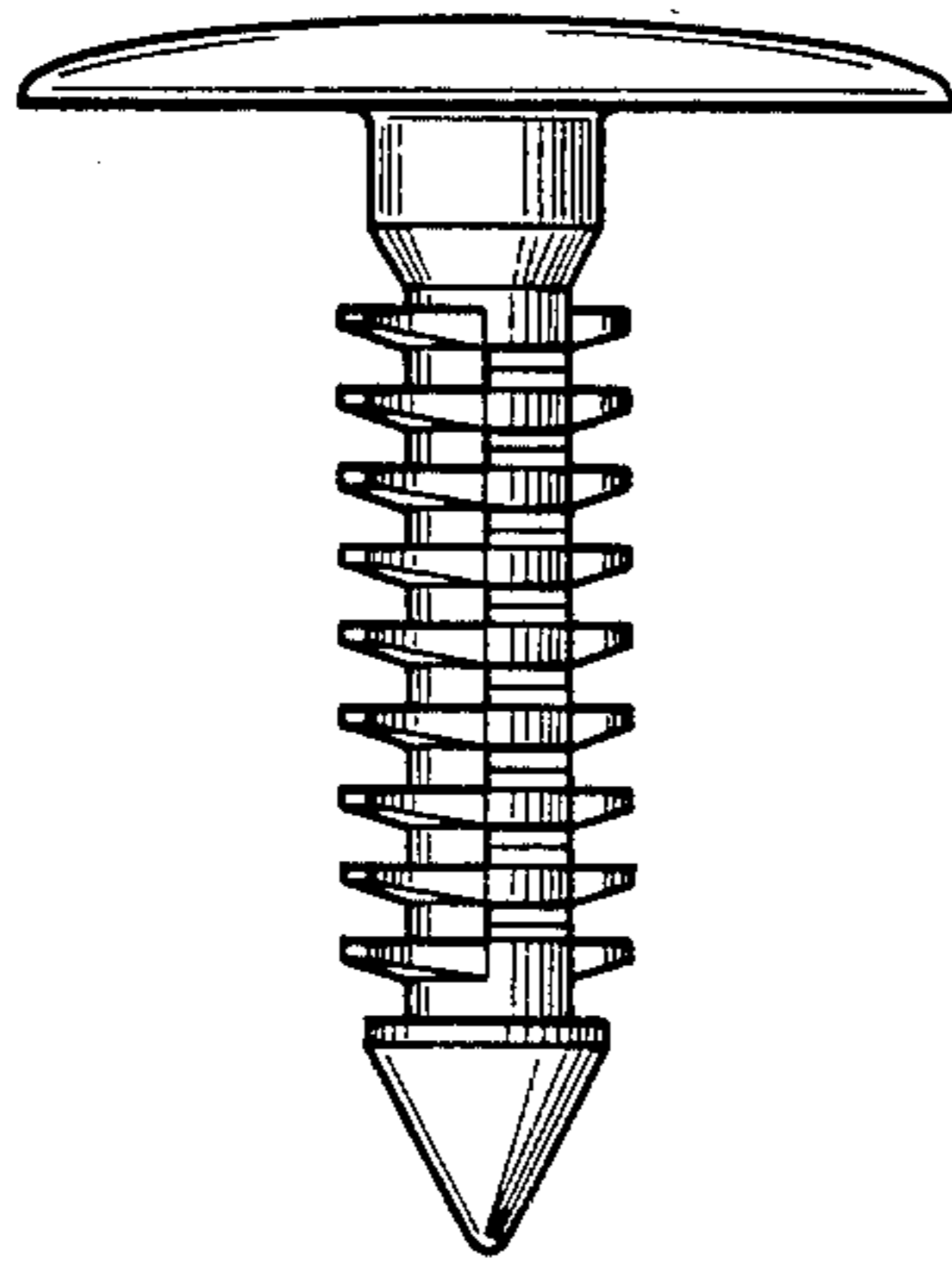


FIG. 4

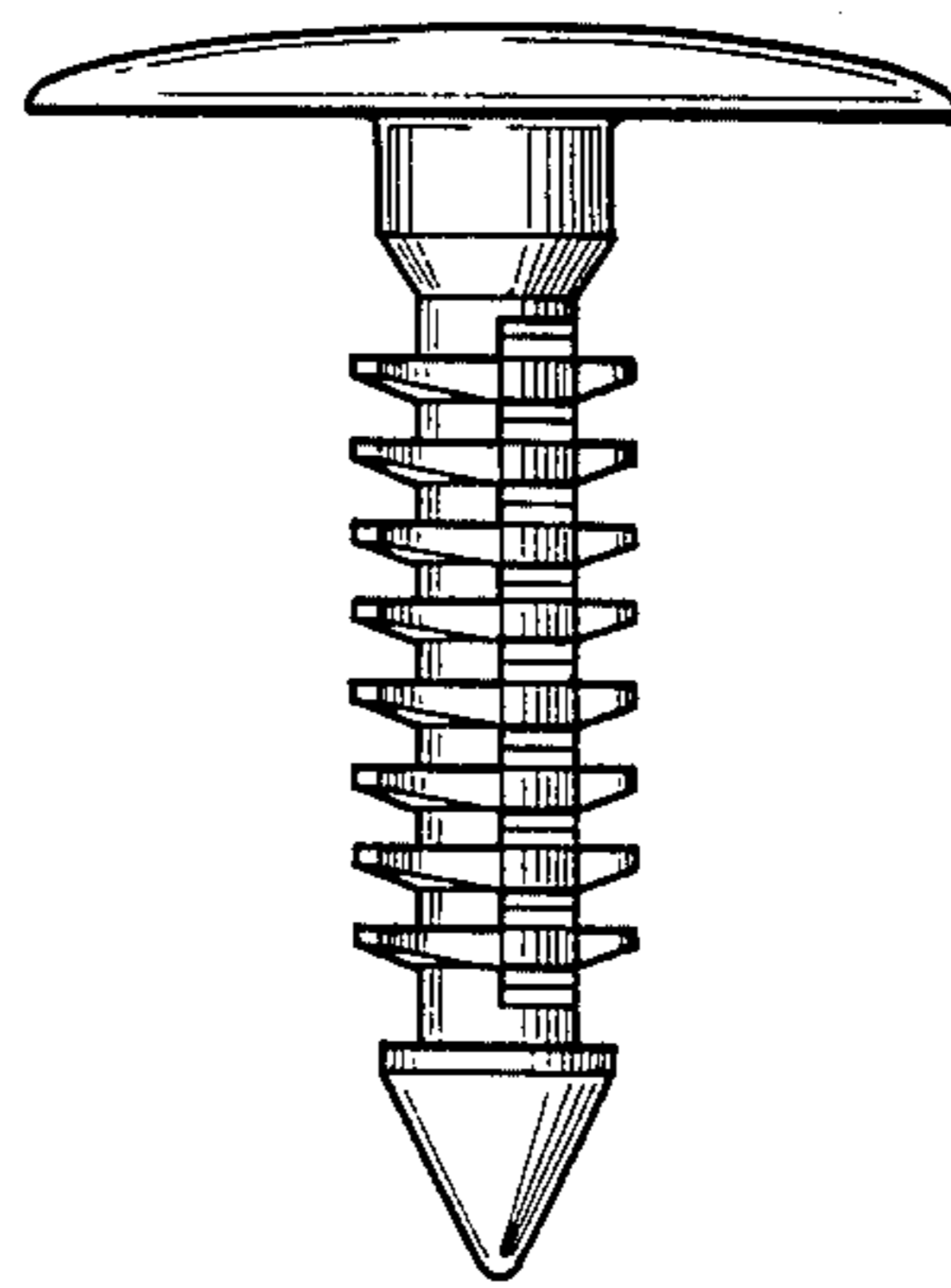


FIG. 5

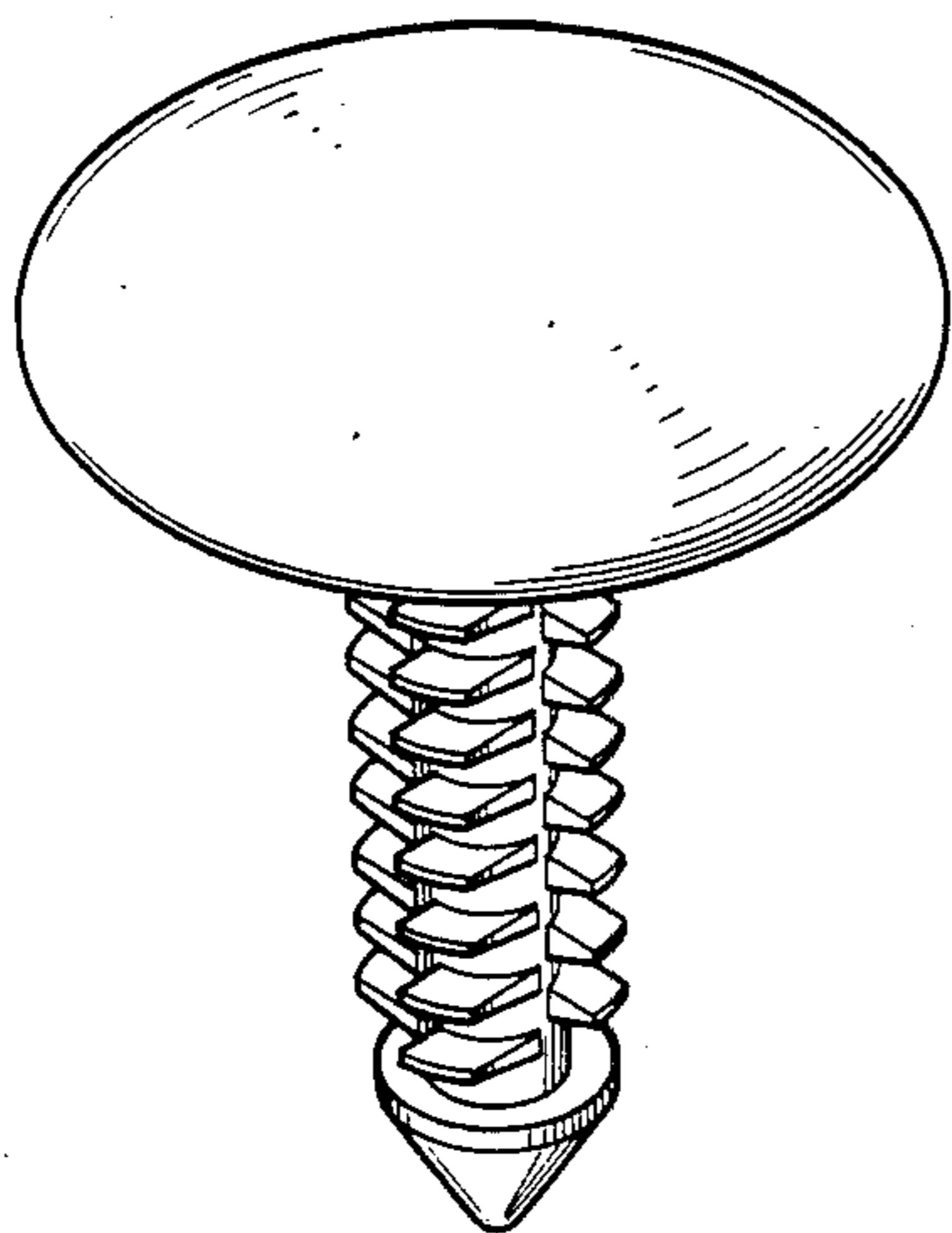


FIG. 6

