

[54] LATCH

[75] Inventor: Jochum Pihl, Viksjöfors, Sweden

[73] Assignee: Nefab AB, Alfta, Sweden

[\*\*] Term: 14 Years

[21] Appl. No.: 847,321

[22] Filed: Apr. 2, 1986

[30] Foreign Application Priority Data

Oct. 4, 1985 [SE] Sweden ..... 85-2389  
 [52] U.S. Cl. .... D8/331  
 [58] Field of Search ..... D8/330-331,  
 D8/339, 342, 344-345; 292/253, 137, 145, 147

[56] References Cited

U.S. PATENT DOCUMENTS

1,210,967 1/1917 Miller ..... 292/253  
 1,809,994 6/1931 Templeton ..... 292/253  
 2,537,801 1/1951 Swatsick ..... 292/253 X  
 4,024,977 5/1977 Rowley ..... 292/253 X  
 4,371,092 2/1983 Teaque ..... 292/253 X

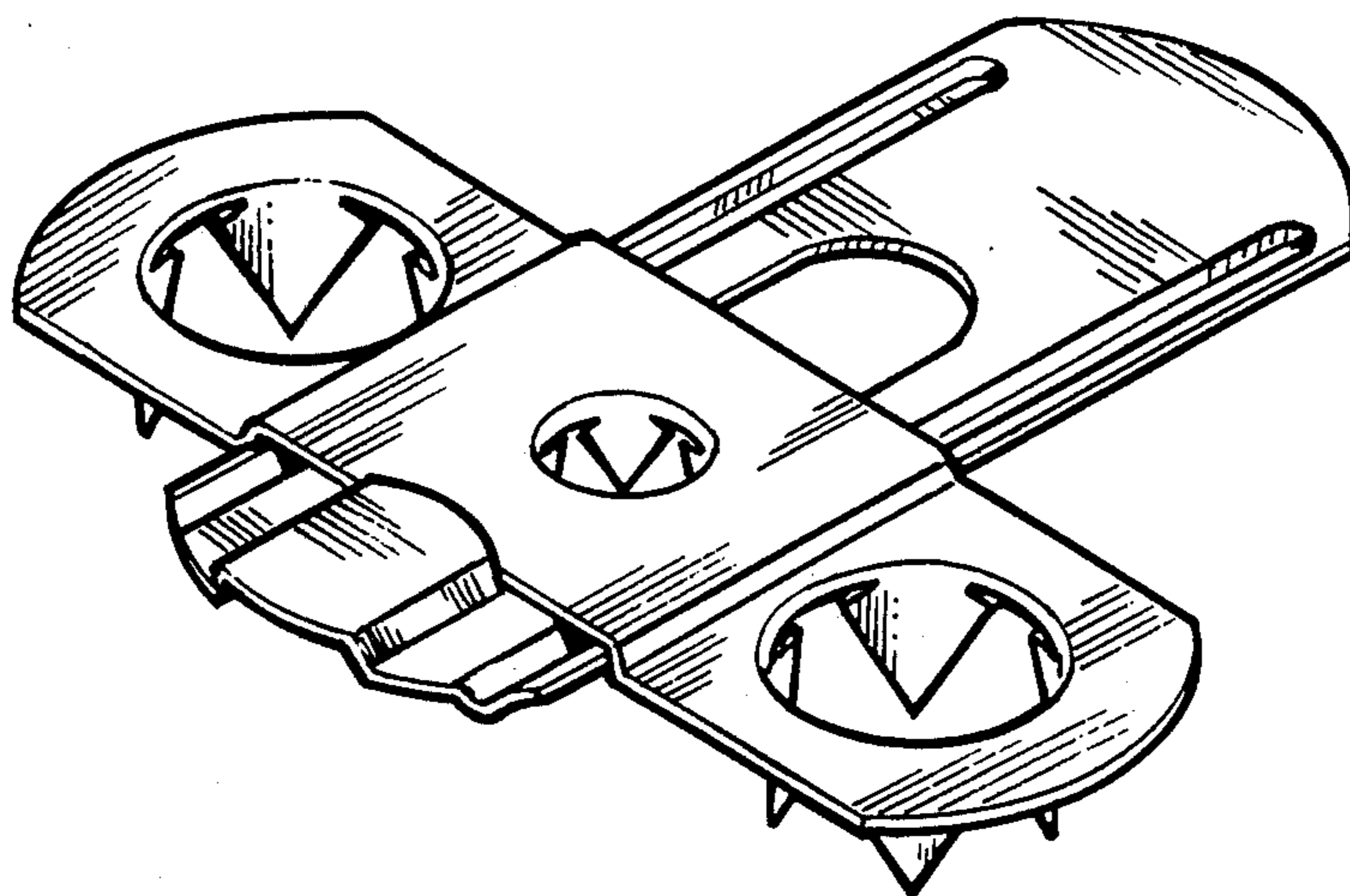
Primary Examiner—Wallace R. Burke  
 Assistant Examiner—Brian N. Vinson  
 Attorney, Agent, or Firm—Browdy and Neimark

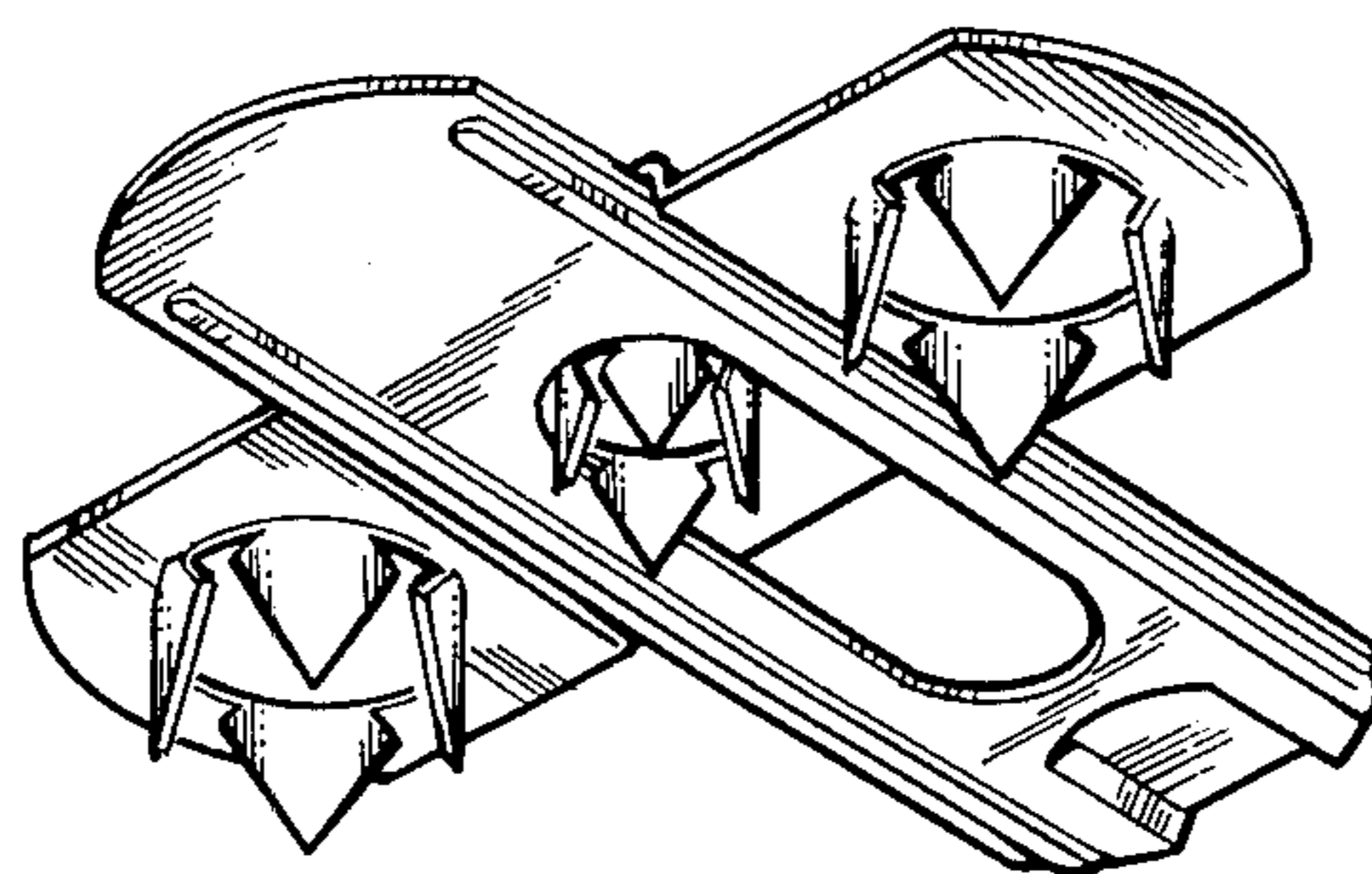
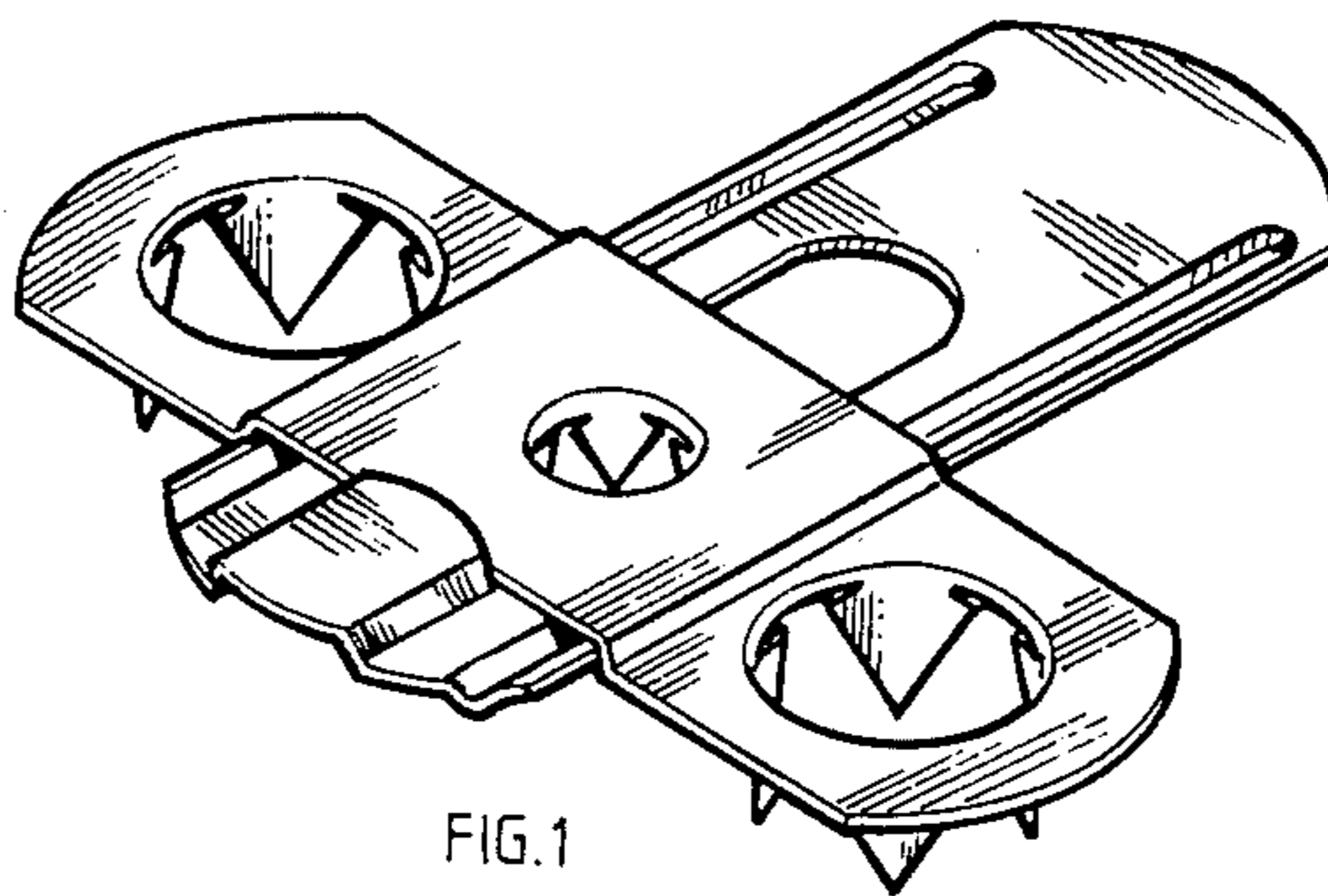
[57] CLAIM

The ornamental design for a latch, as shown and described.

DESCRIPTION

FIG. 1 is a bottom front perspective view of a latch showing my new design;  
 FIG. 2 is a top, rear perspective view thereof;  
 FIG. 3 is a bottom, front perspective view of the sliding portion thereof, the stationary portion being omitted for clarity of illustration;  
 FIG. 4 is a top, rear, perspective view of the sliding portion thereof, the stationary portion being omitted for clarity of illustration;  
 FIG. 5 is a bottom, front perspective view of the stationary portion thereof, the sliding portion being omitted for clarity of illustration; and  
 FIG. 6 is a top, rear perspective view of the stationary portion thereof, the sliding portion being omitted for clarity of illustration.





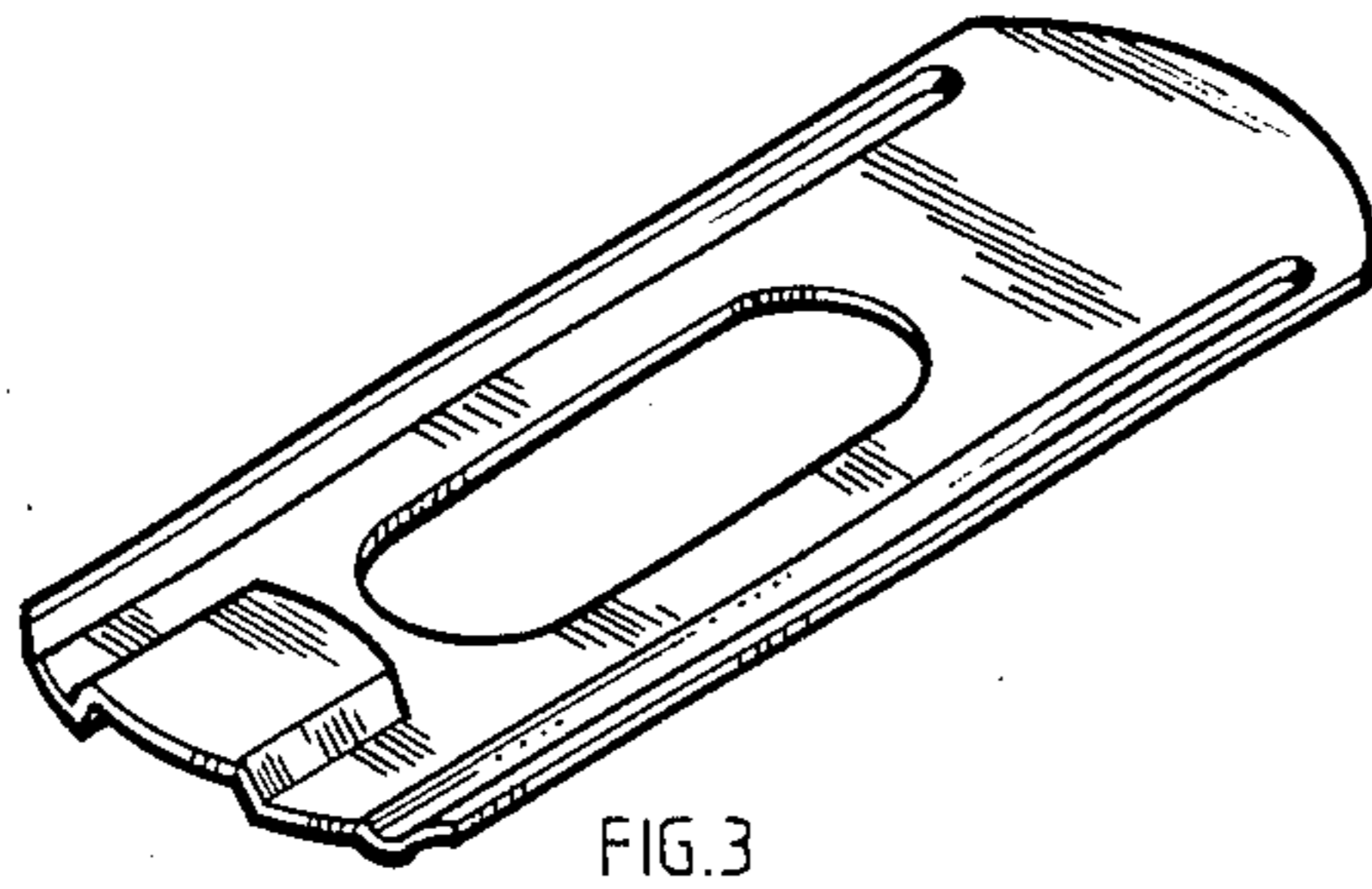


FIG. 3

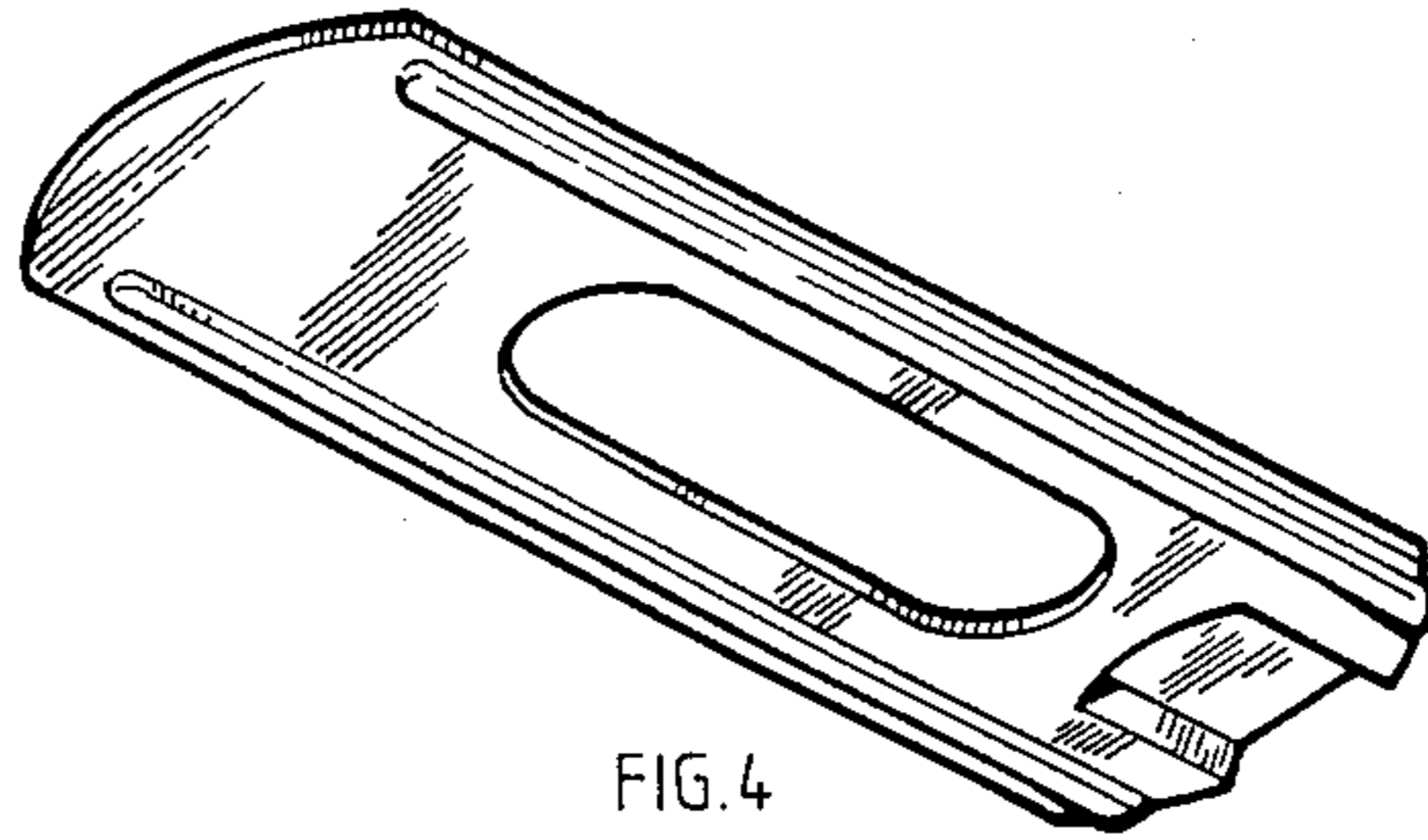


FIG. 4

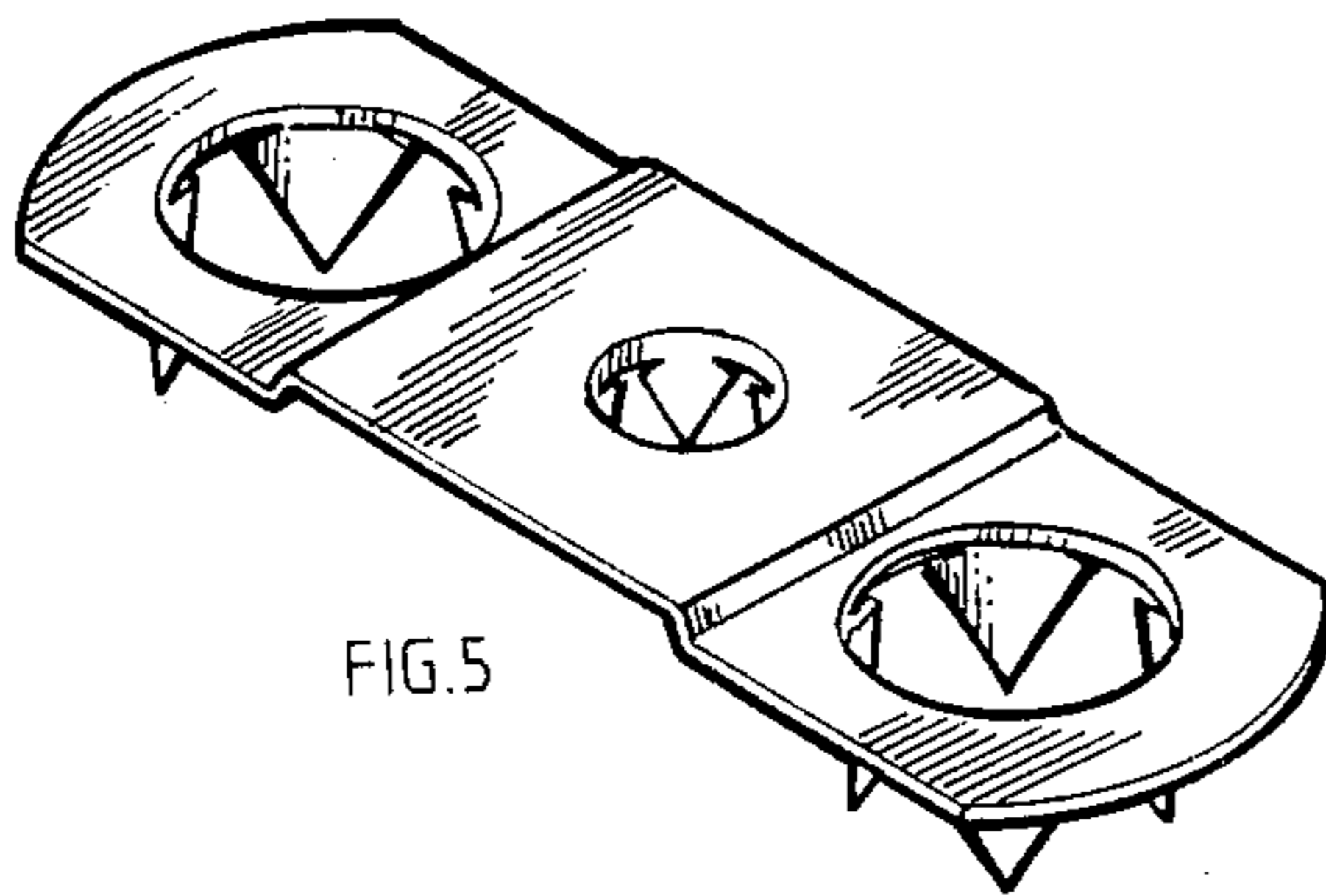


FIG. 5

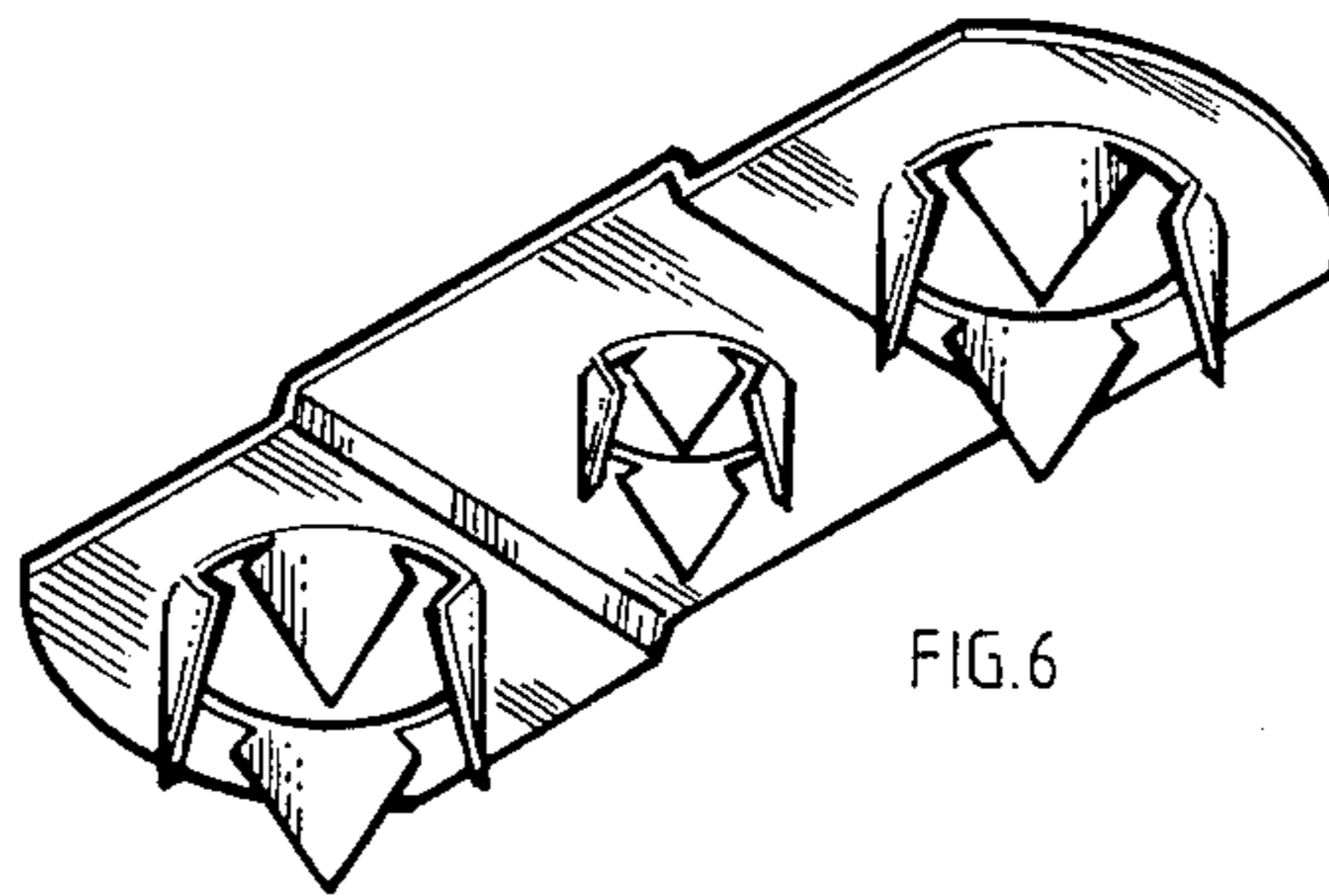


FIG. 6