

[54] HANDLE FOR A DOOR, WINDOW OR THE LIKE

[75] Inventor: Peter Cook, Colchester, England

[73] Assignee: Titon Hardware Limited, Stanway, England

[*] Notice: The portion of the term of this patent subsequent to Nov. 8, 2002 has been disclaimed.

[**] Term: 14 Years

[21] Appl. No.: 725,276

[22] Filed: Apr. 19, 1985

[30] Foreign Application Priority Data

Oct. 19, 1984 [GB] United Kingdom 1022775
[52] U.S. Cl. D8/300; D8/310
[58] Field of Search D8/300, 301, 302, 310, D8/312, 316; 16/110 R, 111 R, 121

[56] References Cited

U.S. PATENT DOCUMENTS

D. 113,169 1/1939 Miller D8/316

D. 246,757 12/1977 Waldo D8/301
D. 249,118 8/1978 Bocade D8/301
D. 272,714 2/1984 Le Grand D8/301
D. 284,263 6/1986 Resan D8/312

OTHER PUBLICATIONS

Daka-Ware cat. No. 9, p. 11, Knob 5344A.

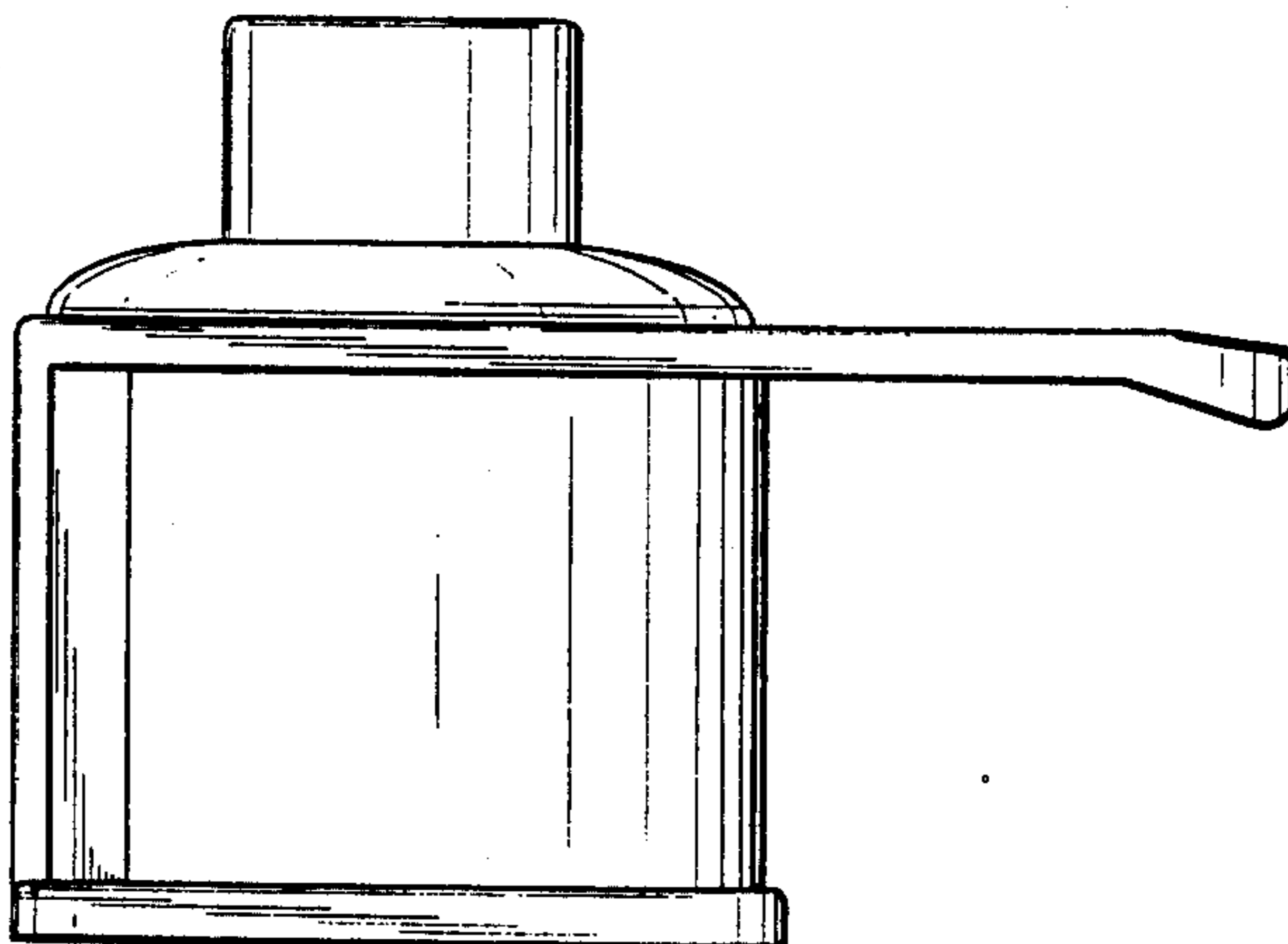
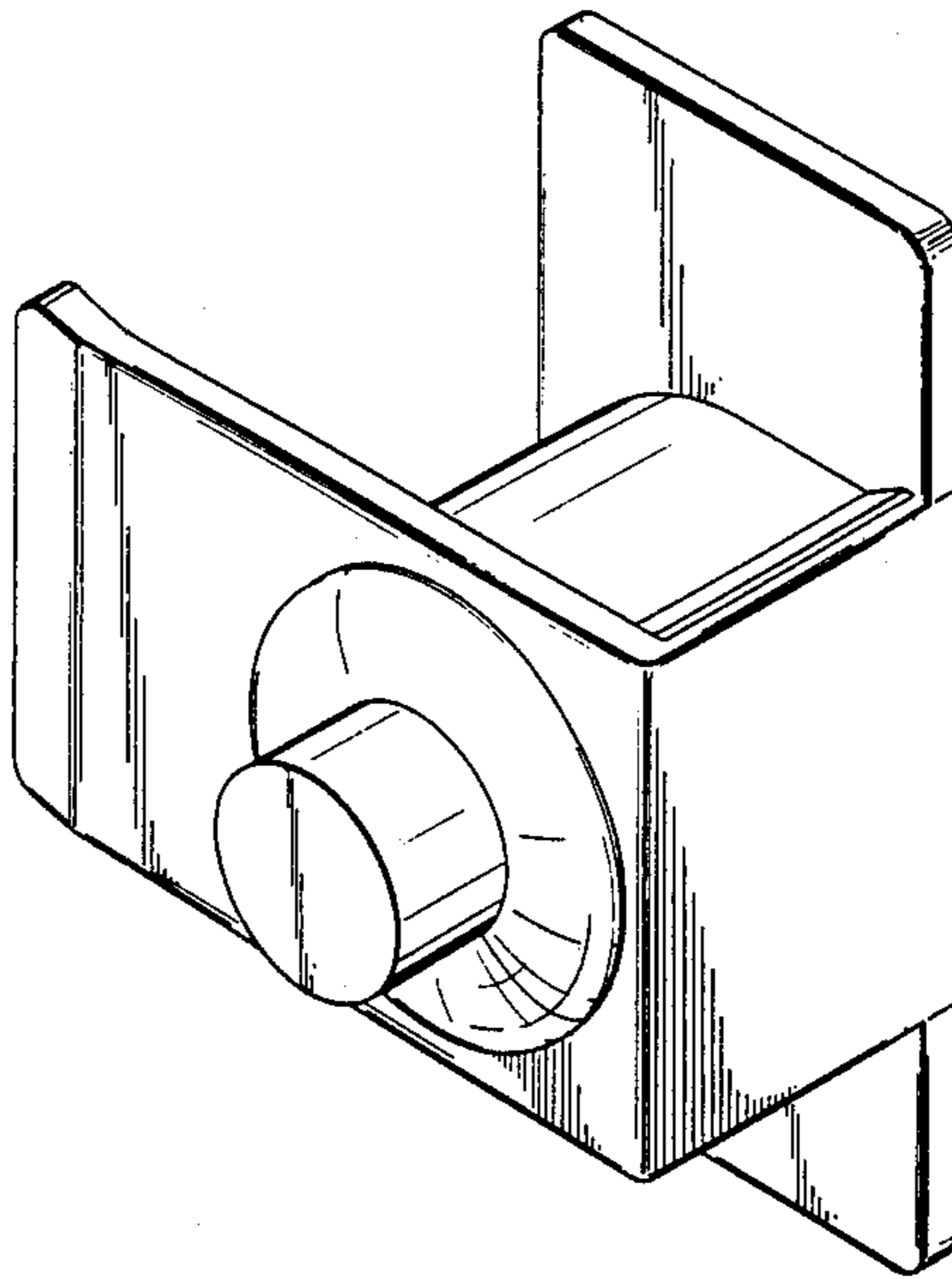
Primary Examiner—B. J. Bullock
Attorney, Agent, or Firm—Millen & White

[57] CLAIM

The ornamental design for a handle for a door, window or the like, as shown.

DESCRIPTION

FIG. 1 is a front, right perspective view of a handle for a door, window or the like showing my new design; FIG. 2 is a right side elevational view thereof taken at a 90° angle; FIG. 3 is a front elevational view thereof, the rear being unornamented; FIG. 4 is a left side elevational view thereof taken at a 90° angle; FIG. 5 is a bottom plan view thereof, the top being a mirror image.



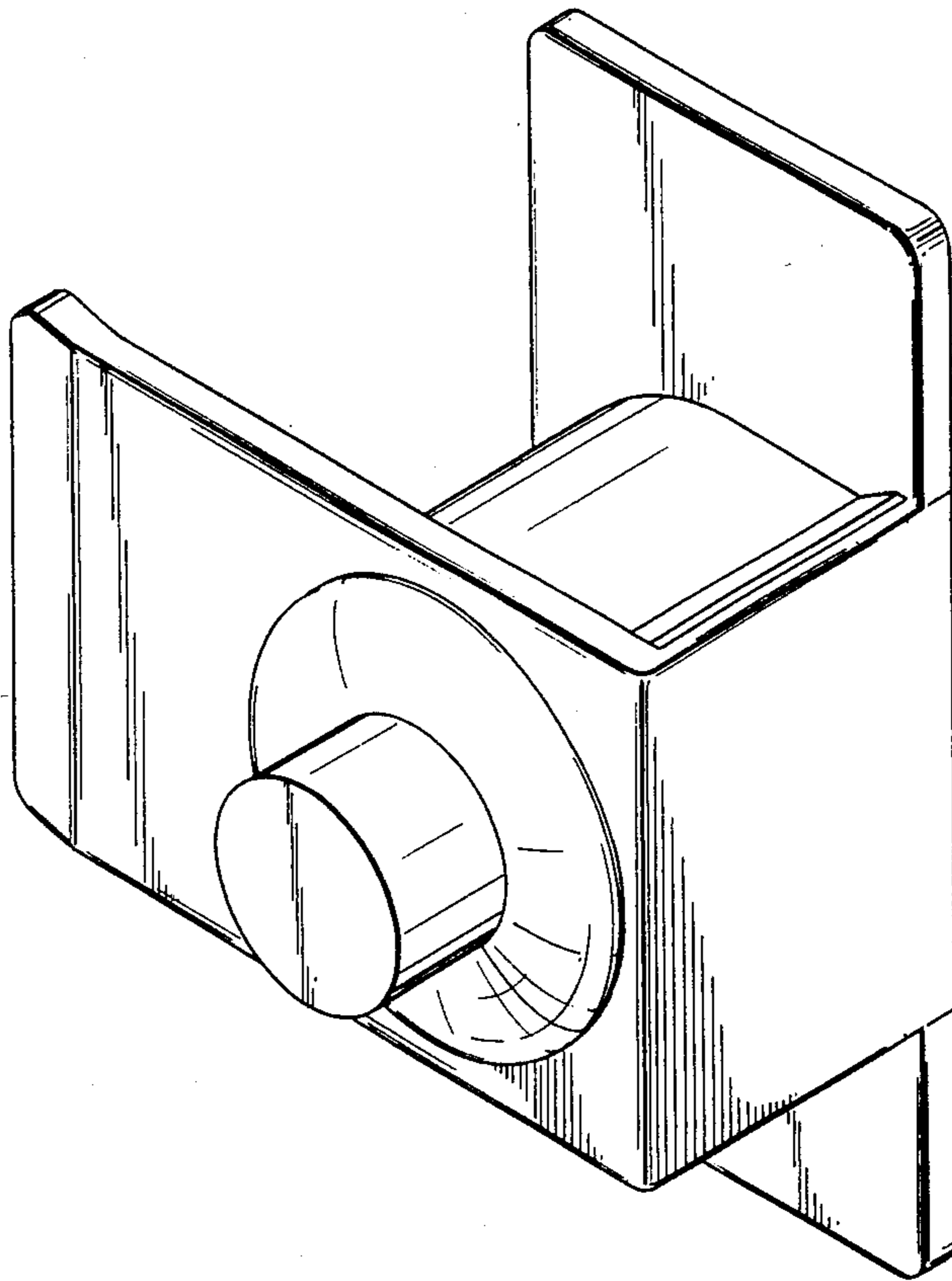


FIG. 1.

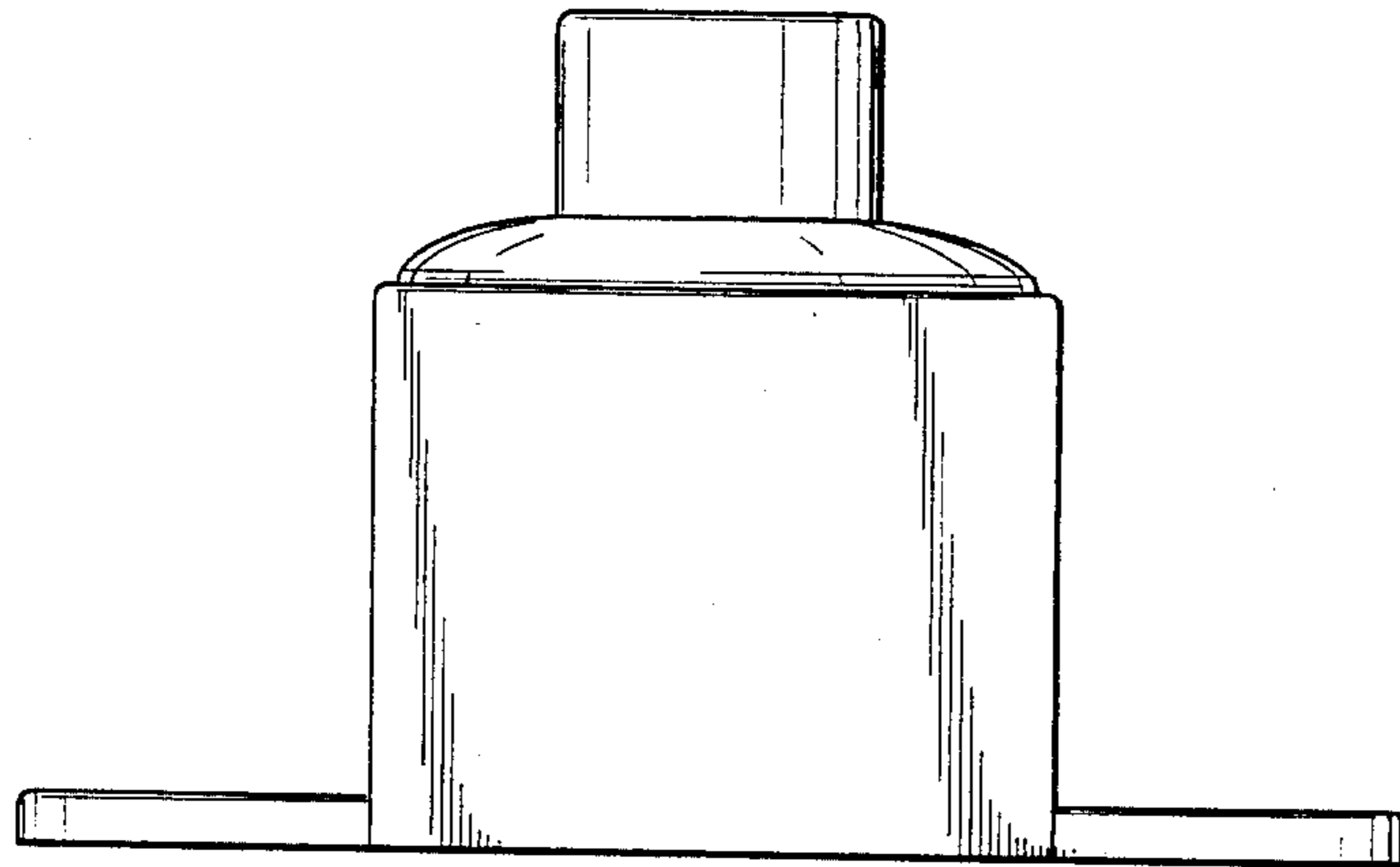


FIG. 2.

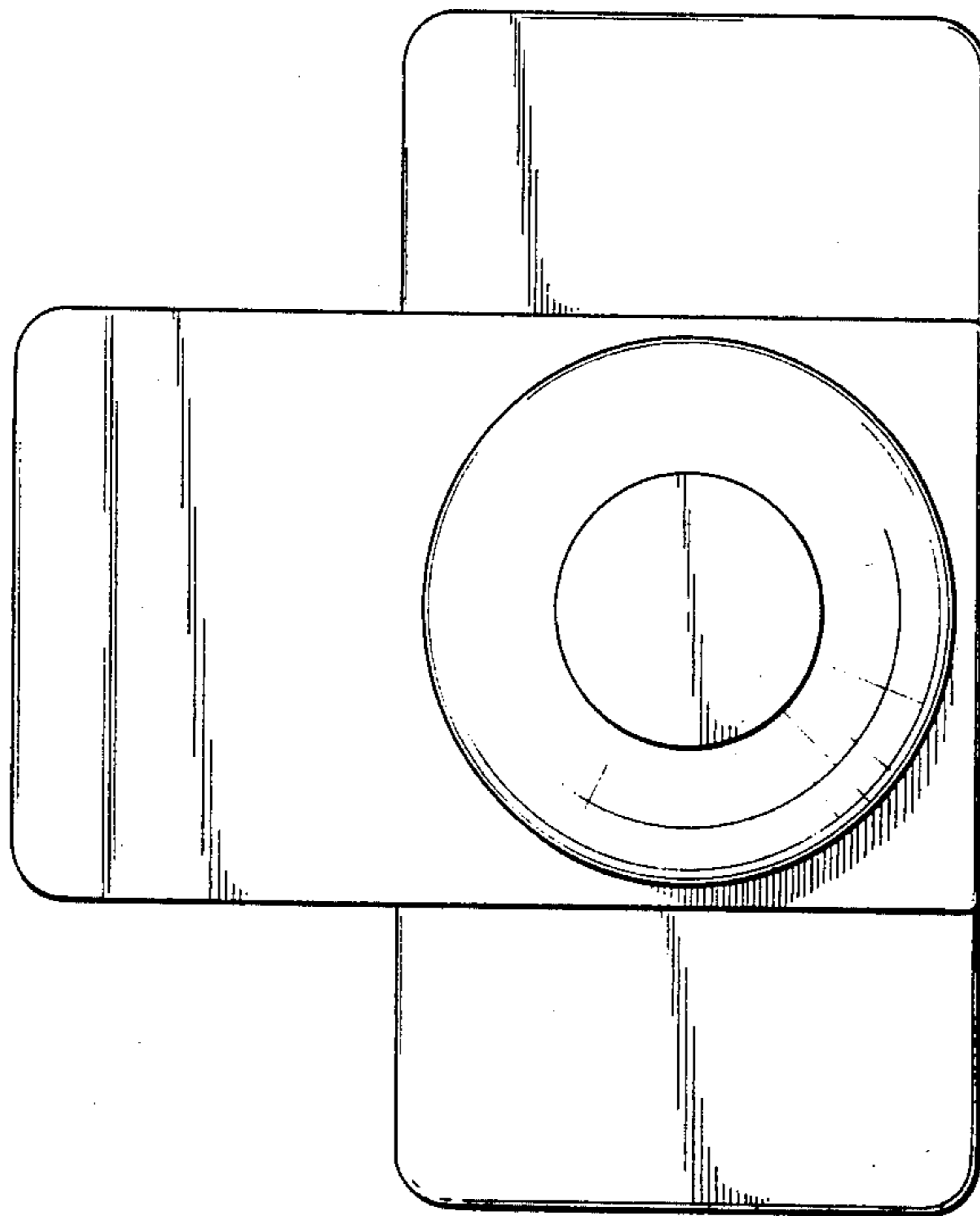


FIG. 3.

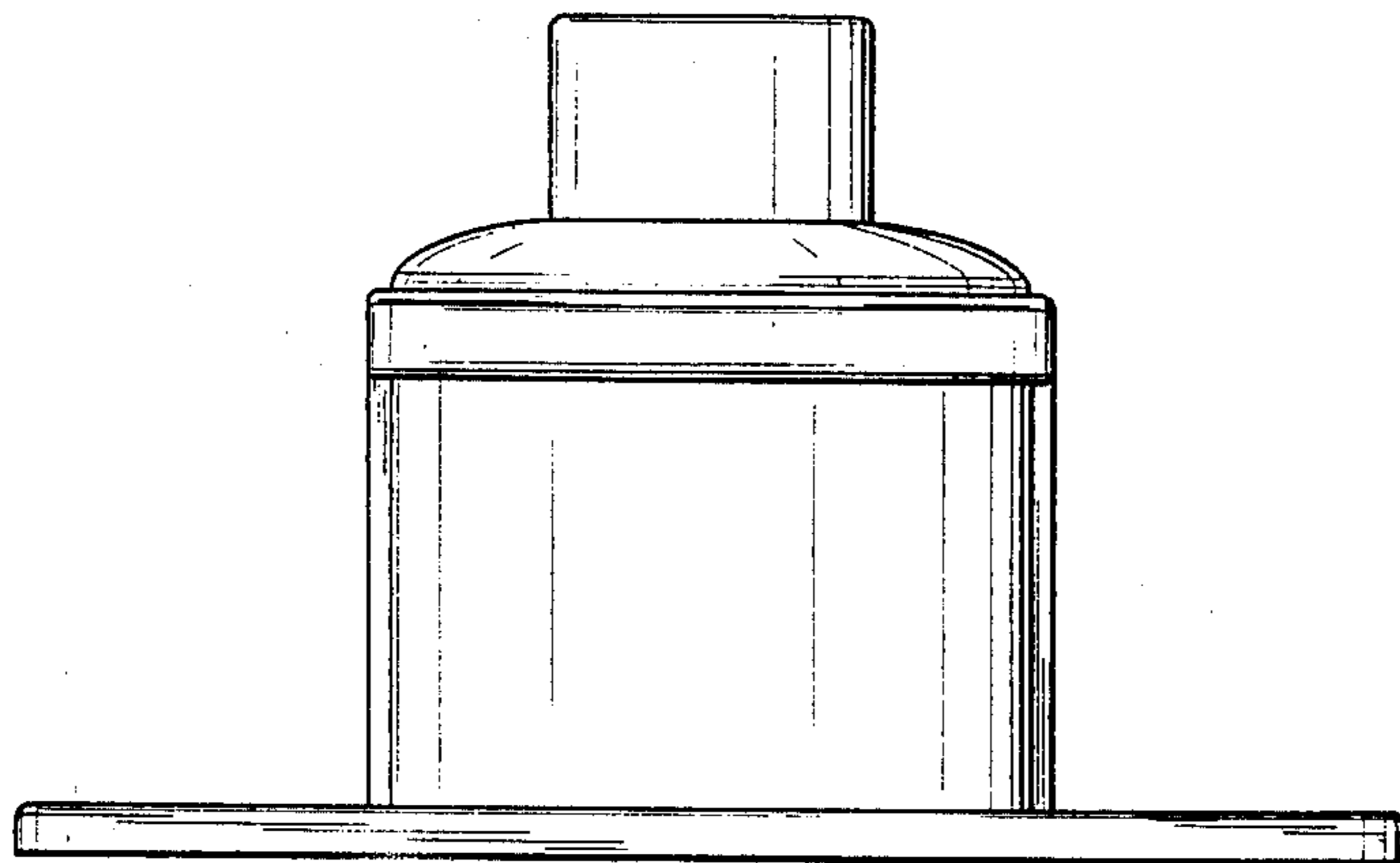


FIG. 4.

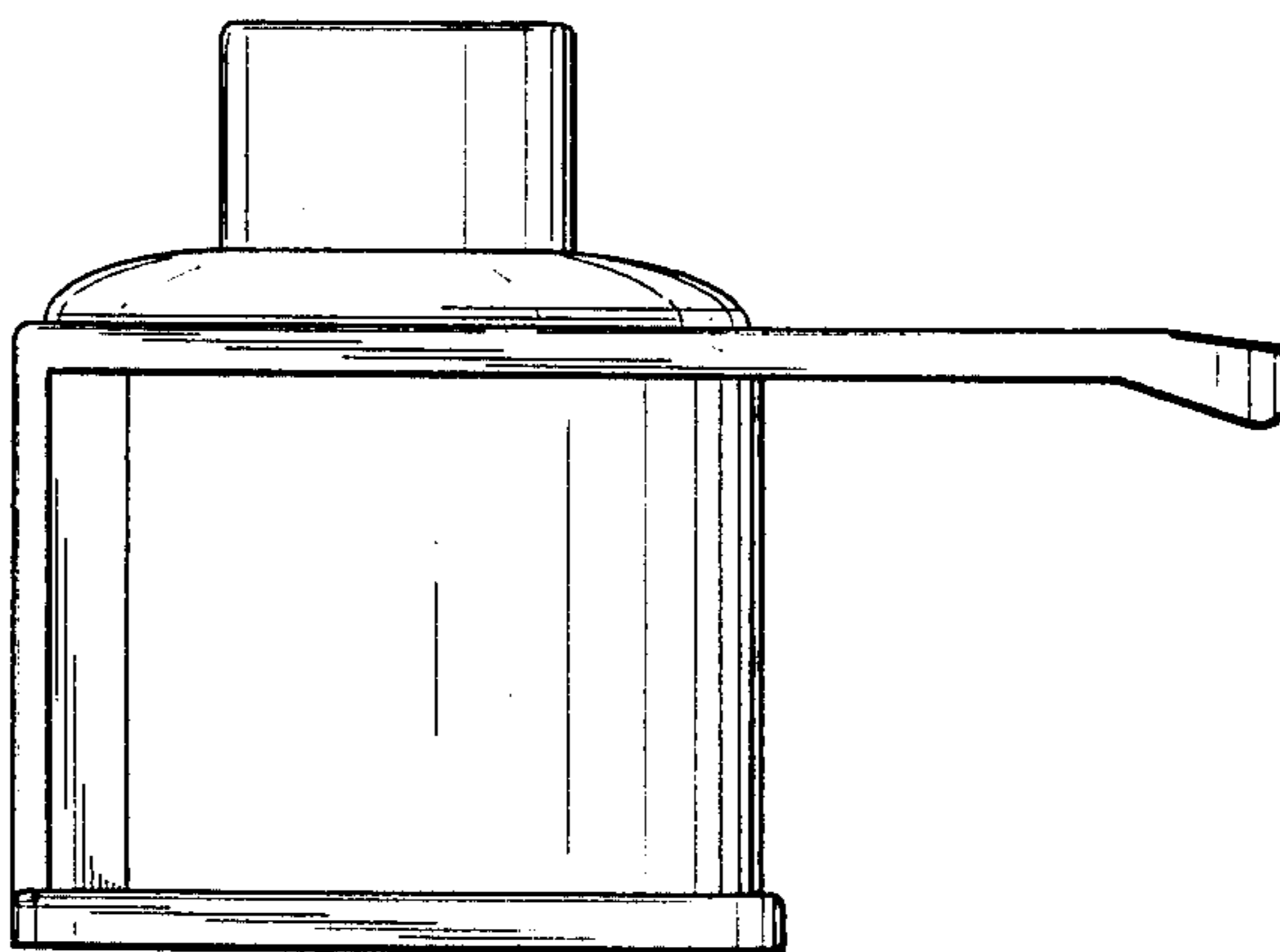


FIG. 5.