

[54] TOOL FOR DISENGAGING PORTIONS OF A LAMP SOCKET

[75] Inventors: Charles Chase, East Meadow; Robert Blaser, College Point, both of N.Y.

[73] Assignee: Leviton Manufacturing Company, Inc., Little Neck, N.Y.

[**] Term: 14 Years

[21] Appl. No.: 774,102

[22] Filed: Sep. 11, 1985

[52] U.S. Cl. D8/52; D8/107

[58] Field of Search D8/14, 51-58, D8/105; 81/3.44, 177.8, 416, 176.1, 176.15, 176.2

[56] References Cited

U.S. PATENT DOCUMENTS

69,563	10/1867	Herde	81/3.44
205,457	6/1878	Woodruff	81/3.44
1,366,871	1/1921	Calkins	81/3.44
3,354,757	11/1967	Grimm et al.	81/176.1

FOREIGN PATENT DOCUMENTS

1114623	4/1956	France	81/176.1
13346	of 1896	United Kingdom	81/3.44

OTHER PUBLICATIONS

Neff Enterprises advertising brochure dated 2-1966, Fuel Filter Tool #FT-20.

Primary Examiner—Susan J. Lucas
Assistant Examiner—Clare E. Heflin
Attorney, Agent, or Firm—Paul J. Sutton

[57] CLAIM

The ornamental design for a tool for disengaging portions of a lamp socket, as shown and described.

DESCRIPTION

FIG. 1 is a front perspective view of the tool for disengaging portions of a lamp socket showing out new design;

FIG. 2 is a top plan view thereof;

FIG. 3 is a left side elevational view thereof;

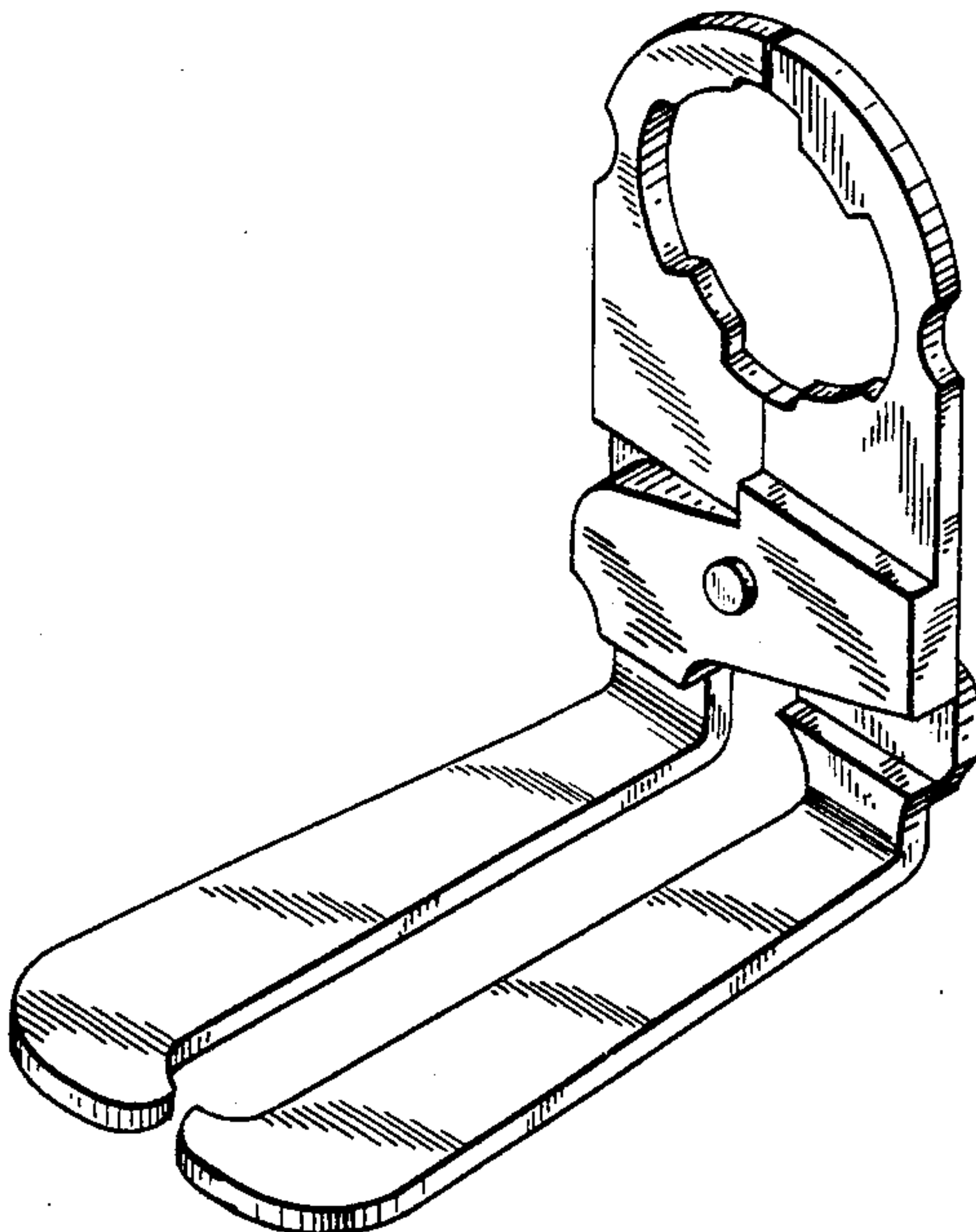
FIG. 4 is a right side elevational view thereof;

FIG. 5 is a rear elevational view thereof; and

FIG. 6 is a bottom plan view thereof.

FIG. 7 is a front perspective view of the tool for disengaging portions of a lamp socket showing an alternate embodiment of our new design.

All sides of the design depicted in FIG. 7 are substantially the same as those of the design depicted in FIG. 1 except for the 90° bend of the handle portion thereof.



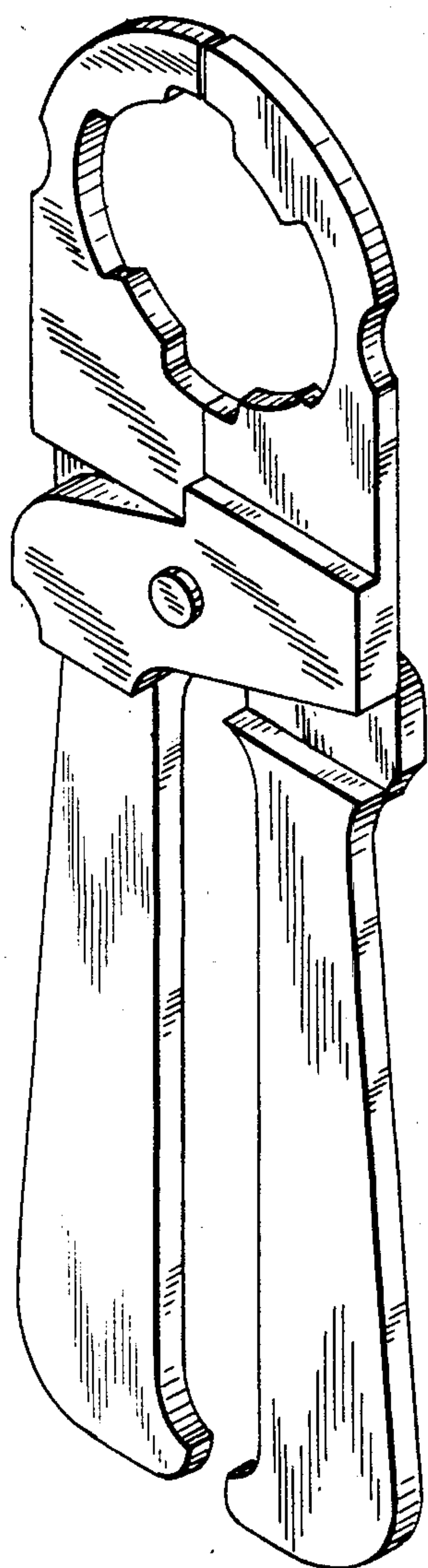


FIG. 1



FIG. 2

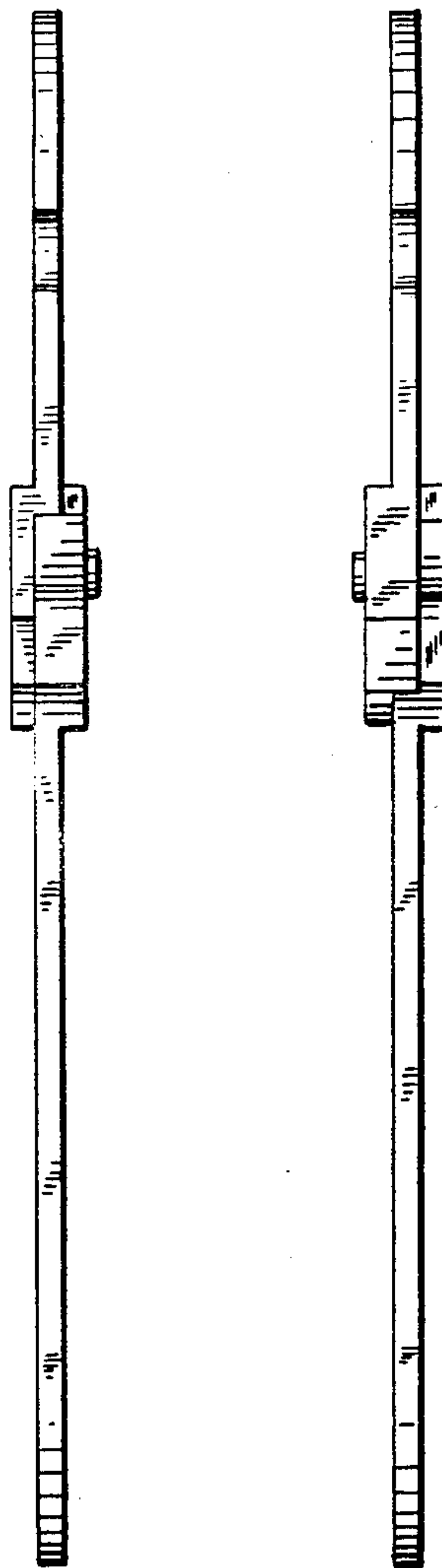


FIG. 3 FIG. 4

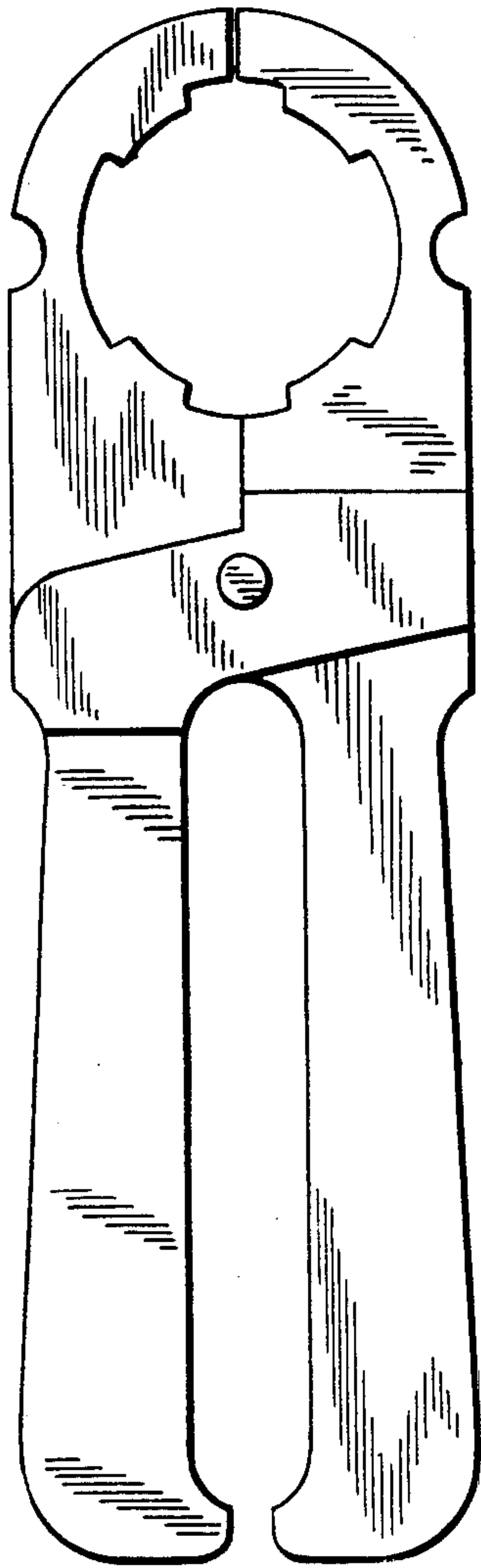


FIG. 5



FIG. 6

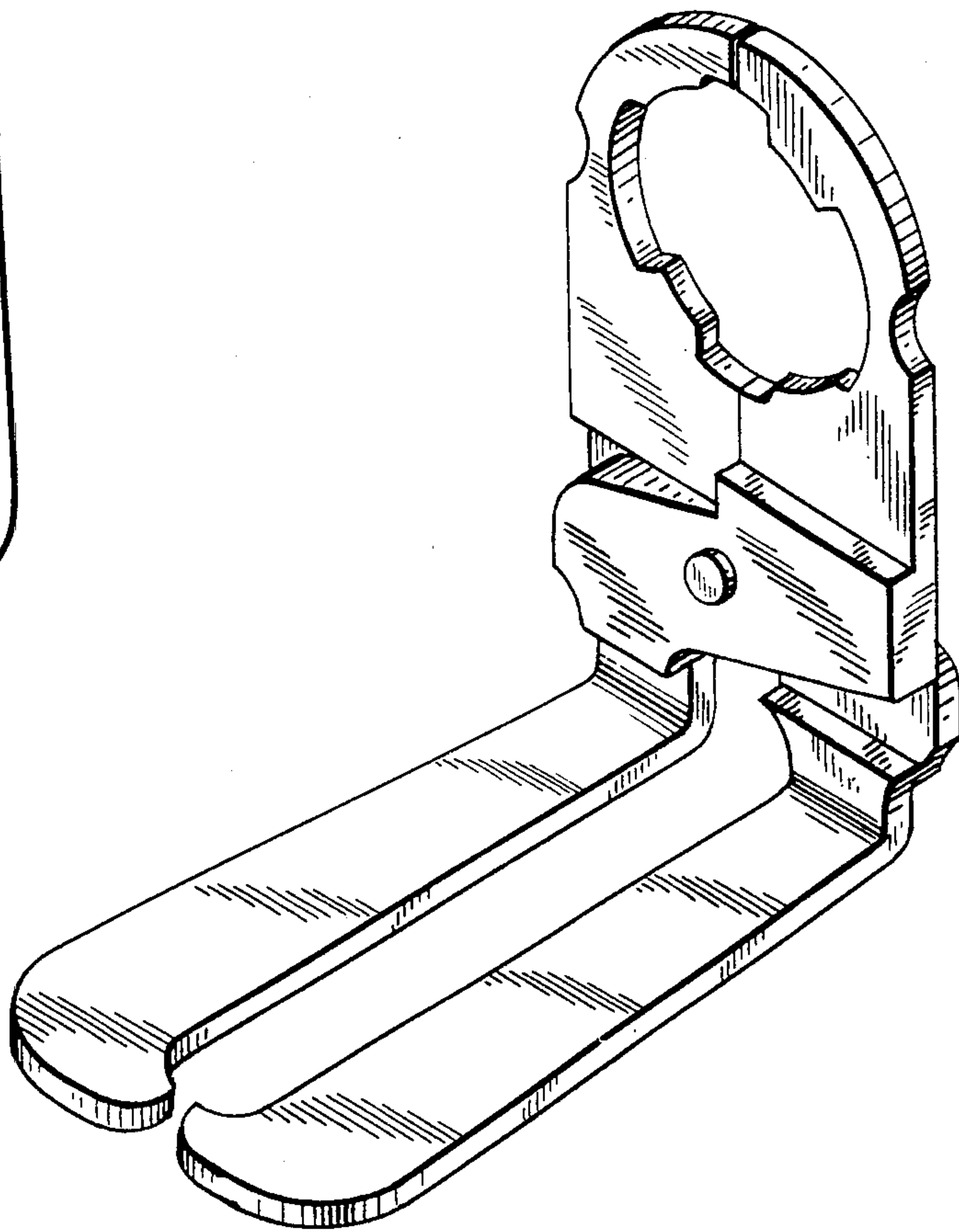


FIG. 7