

[54] RAKE HEAD

[75] Inventors: Timo Sunila; Svante Rönholm, both of Karjaa, Finland

[73] Assignee: Fiskars Oy Ab, Helsinki, Finland

[**] Term: 14 Years

[21] Appl. No.: 847,033

[22] Filed: Mar. 25, 1986

[30] Foreign Application Priority Data

Sep. 25, 1985 [FI] Finland 714/85
 [52] U.S. Cl. D8/13
 [58] Field of Search D8/13; 56/400.01, 400.17, 56/400.21

[56] References Cited

U.S. PATENT DOCUMENTS

D. 225,958 1/1973 Gibbs D8/13
 2,315,021 3/1943 Schmidt et al. D8/13 X
 3,707,835 1/1973 McNally et al. 56/400.01

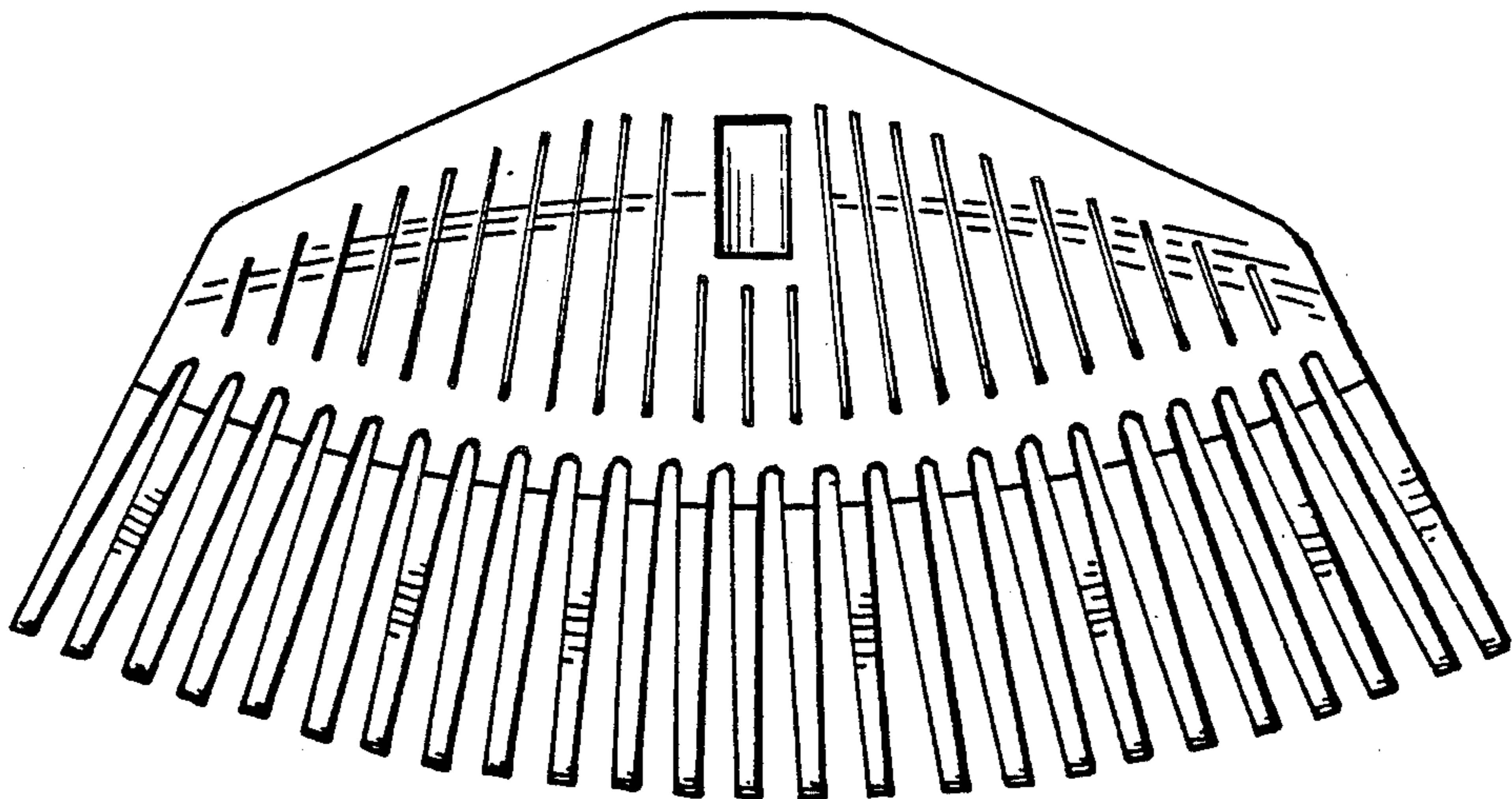
Primary Examiner—Wallace R. Burke
 Assistant Examiner—Brian N. Vinson
 Attorney, Agent, or Firm—Fleit, Jacobson, Cohn & Price

[57] CLAIM

The ornamental design for a rake head, as shown and described.

DESCRIPTION

FIG. 1 is a top, front perspective view of a rake head showing our new design;
 FIG. 2 is a bottom, rear perspective view thereof;
 FIG. 3 is a top plan view thereof;
 FIG. 4 is a bottom plan view thereof;
 FIG. 5 is an inverted rear elevational view thereof;
 FIG. 6 is a side elevational view thereof, the side opposite being a mirror image.



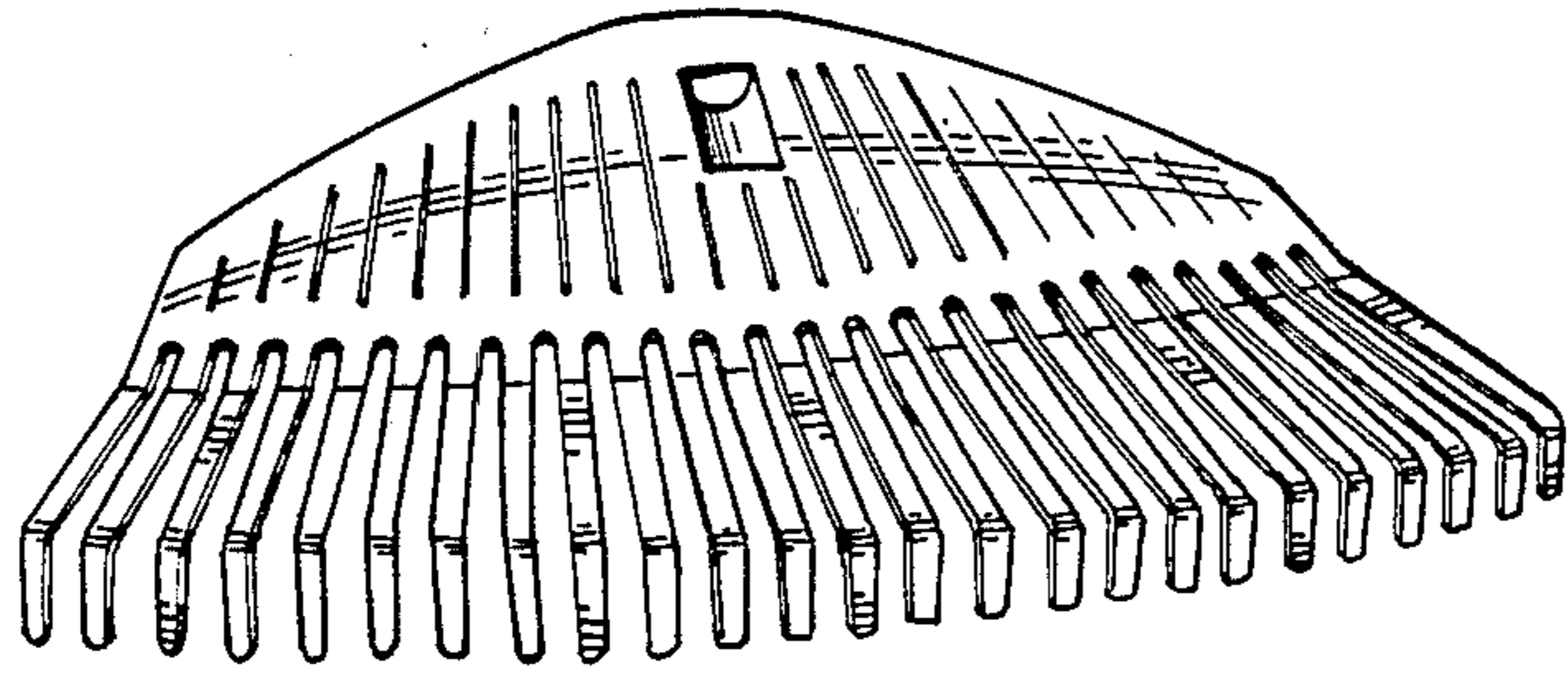


FIG. 1

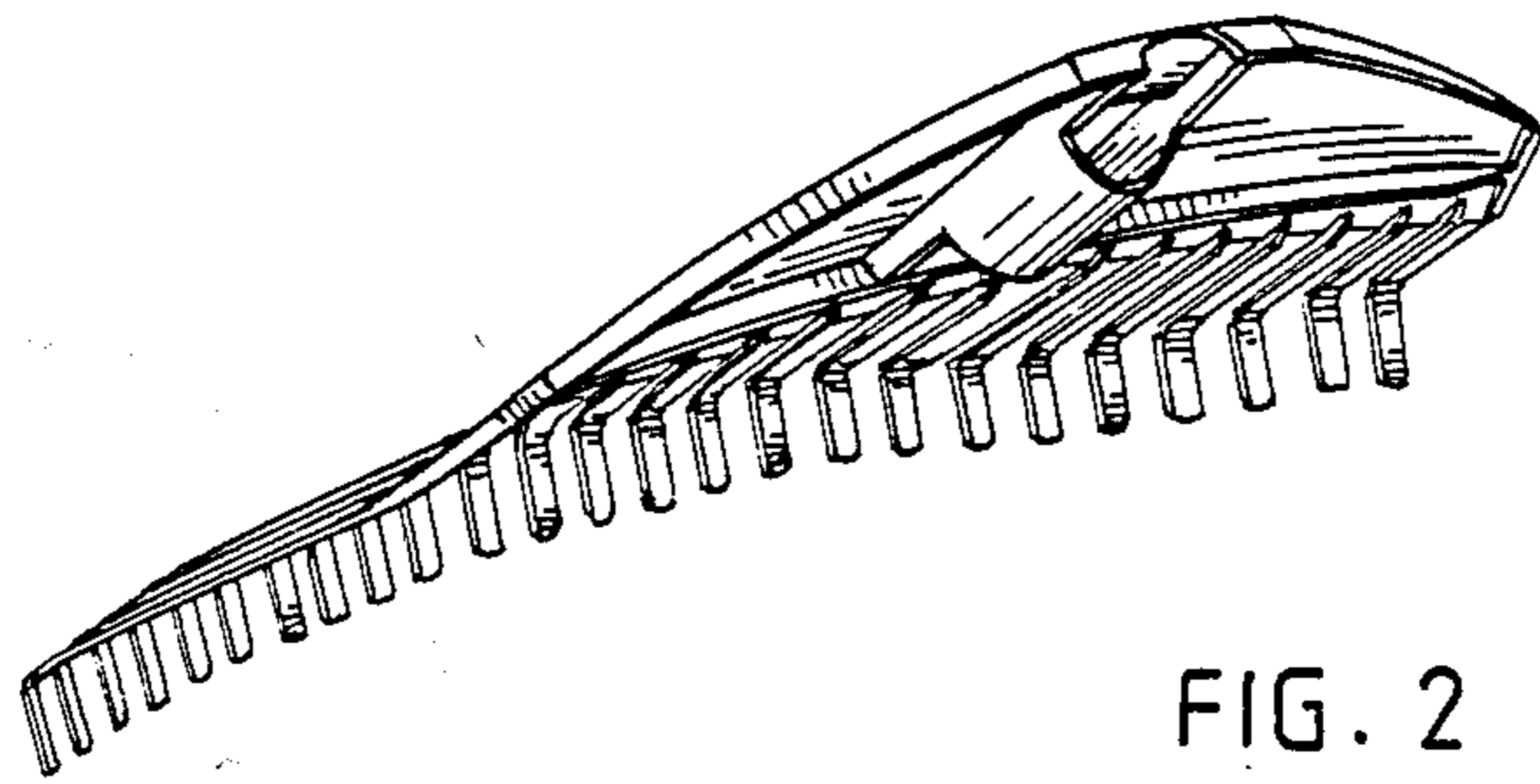


FIG. 2

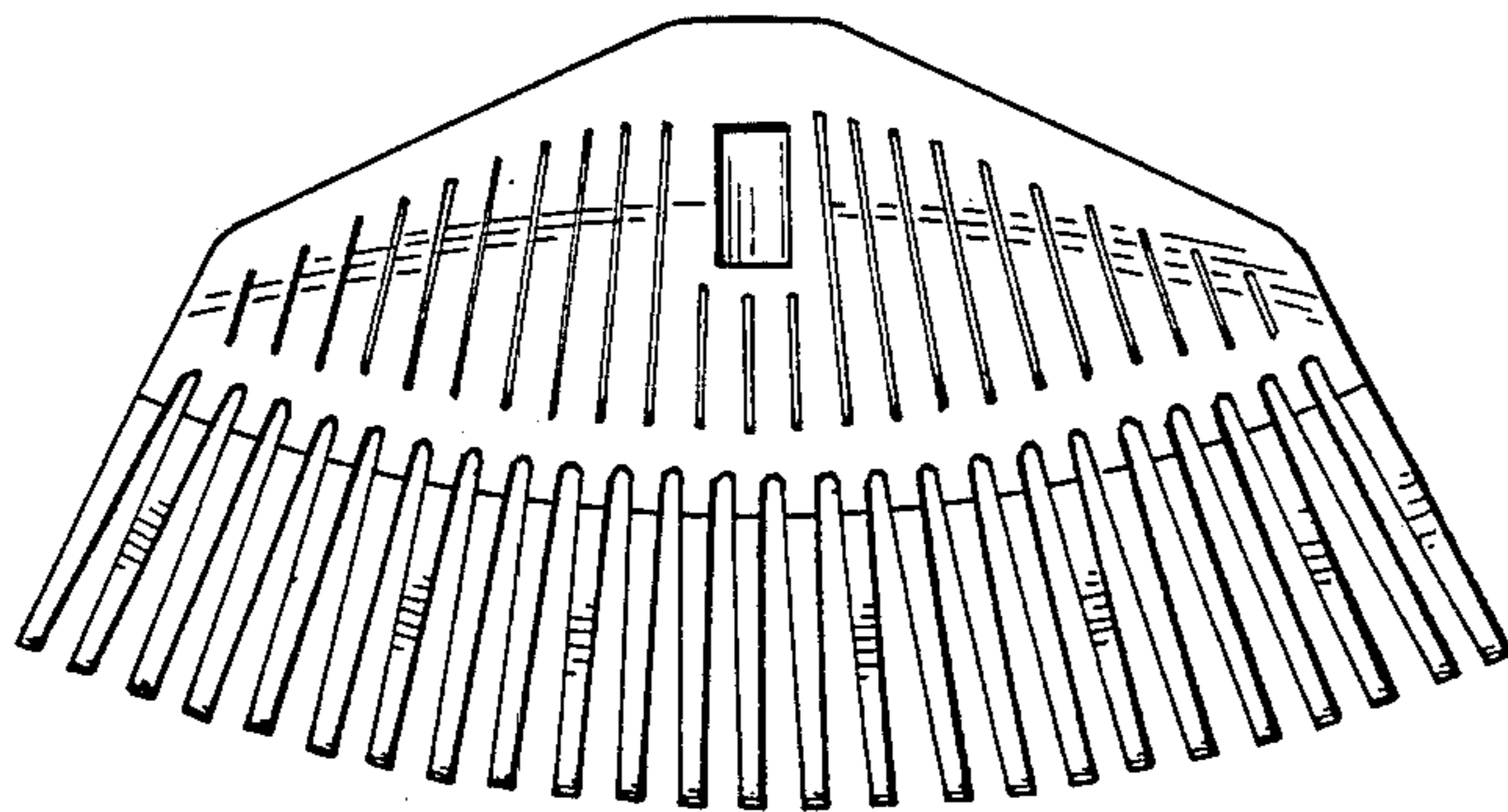


FIG. 3

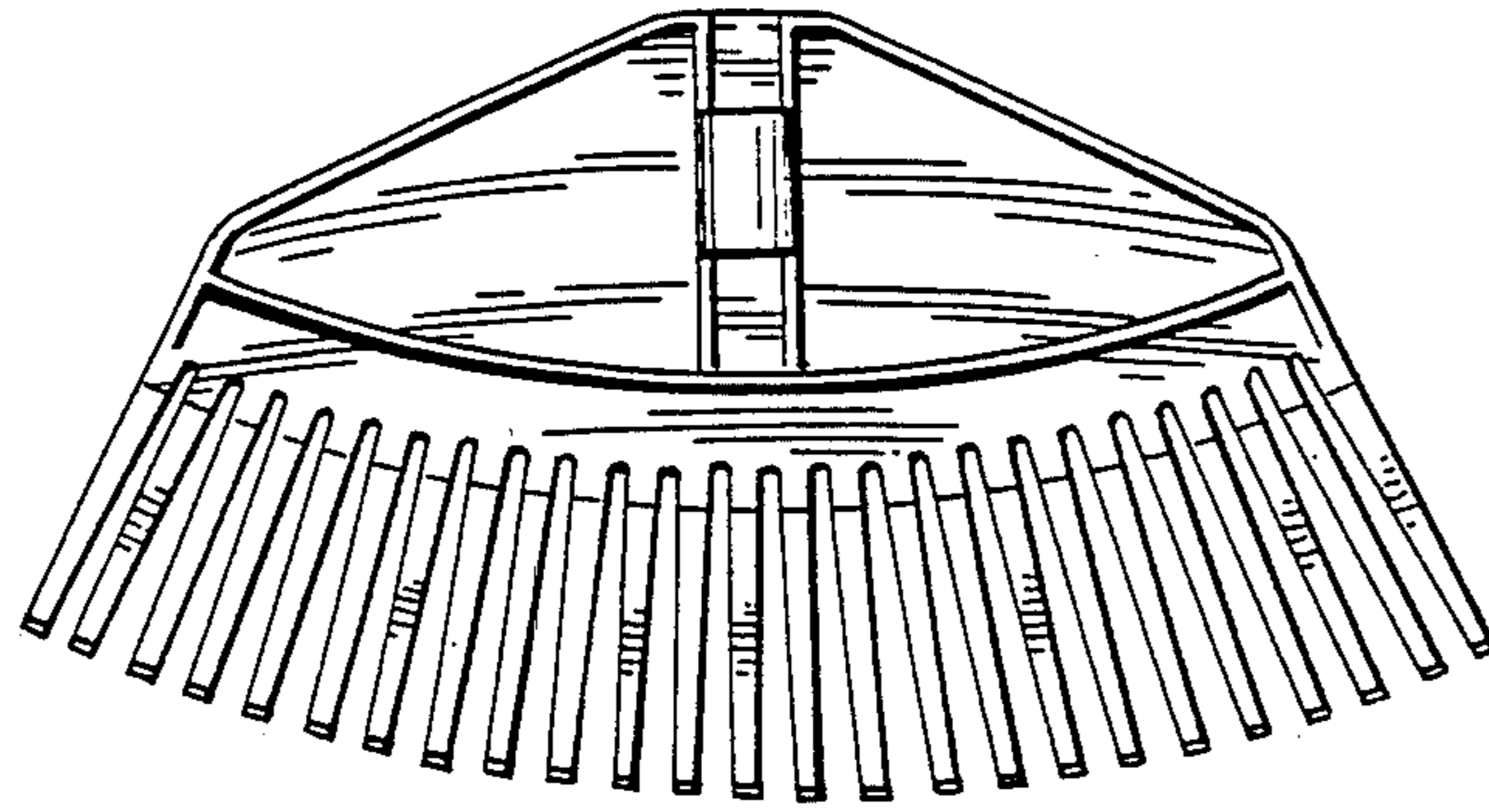


FIG. 4

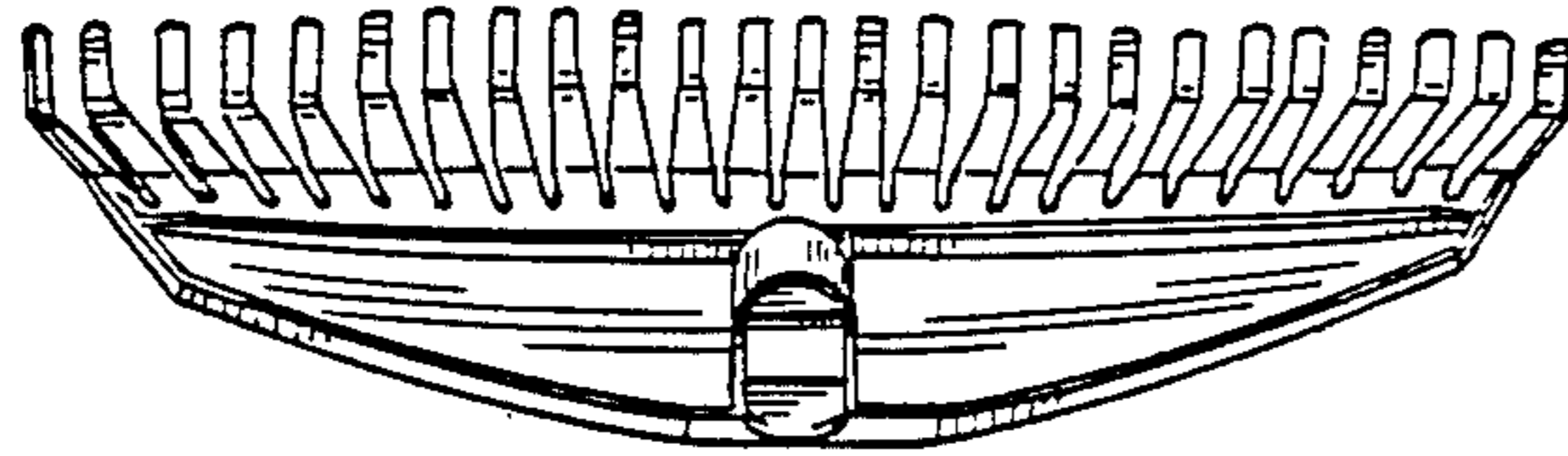


FIG. 5



FIG. 6