

[54] **BEVERAGE DISPENSER**

[75] **Inventor: Pol F. Lambert, Milton Malsor, United Kingdom**

[73] **Assignee: Vortan International Holding N.V., Curaco, Netherlands**

[**] **Term: 14 Years**

[21] **Appl. No.: 803,988**

[22] **Filed: Nov. 8, 1985**

[30] **Foreign Application Priority Data**

May 10, 1985 [CH] Switzerland 005239
[52] **U.S. Cl. D7/309**
[58] **Field of Search D7/300, 305, 309, 310, D7/312**

[56] **References Cited**

U.S. PATENT DOCUMENTS

D. 200,843 4/1965 Hausam D7/309
D. 217,946 6/1970 Adams D7/305
D. 246,311 11/1977 Syverson D7/305
D. 289,129 4/1987 Syverson D7/309 X

Primary Examiner—Winifred E. Herrmann
Attorney, Agent, or Firm—Panitch Schwarze Jacobs & Nadel

[57] **CLAIM**

The ornamental design for a beverage dispenser, as shown and described.

DESCRIPTION

FIG. 1 is a perspective view of a beverage dispenser showing my new design;
FIG. 2 is a front elevational view;
FIG. 3 is a rear elevational view;
FIG. 4 is a top plan view;
FIG. 5 is a bottom plan view;
FIG. 6 is a left side elevational view; and
FIG. 7 is a right side elevational view.

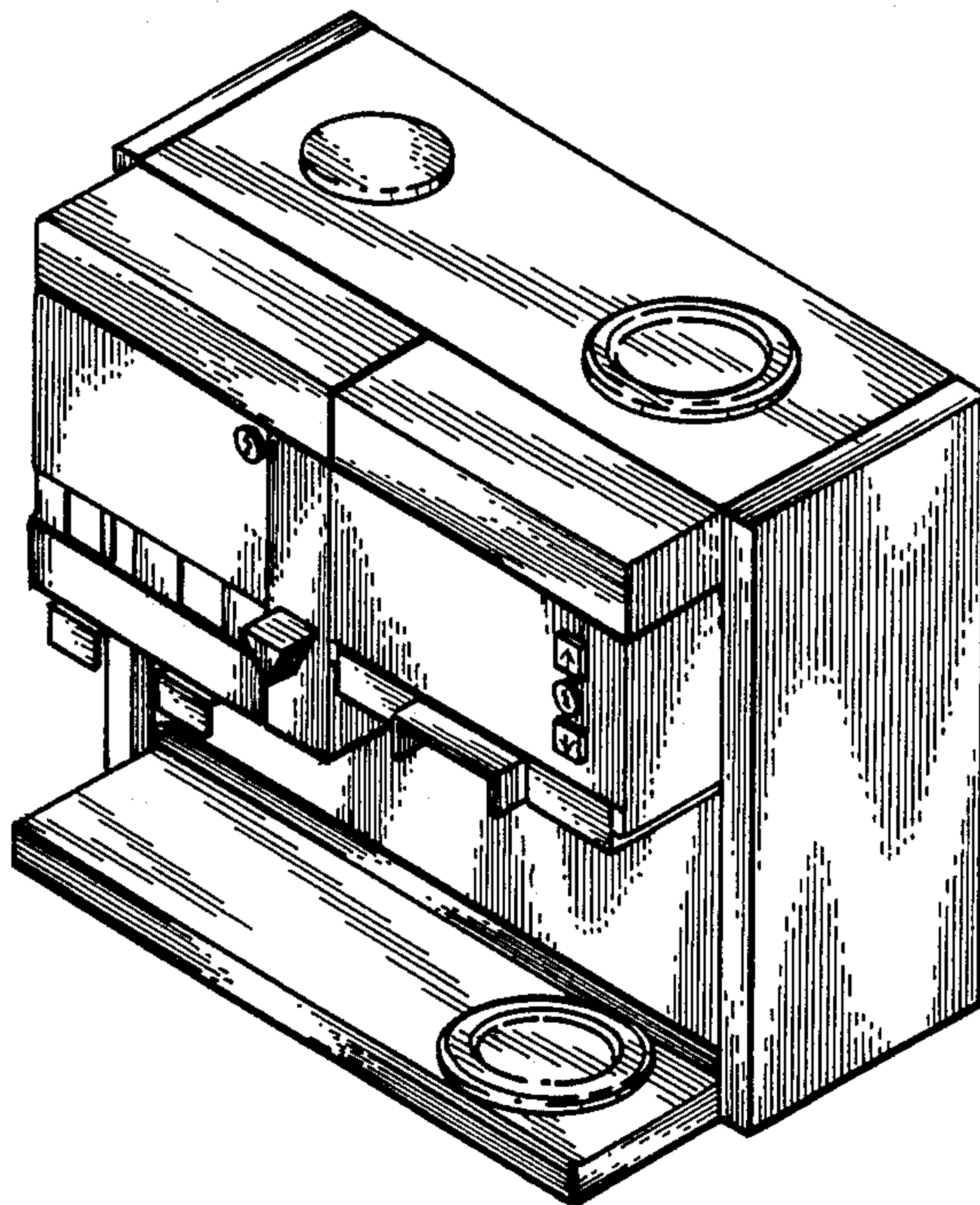


FIG. 1

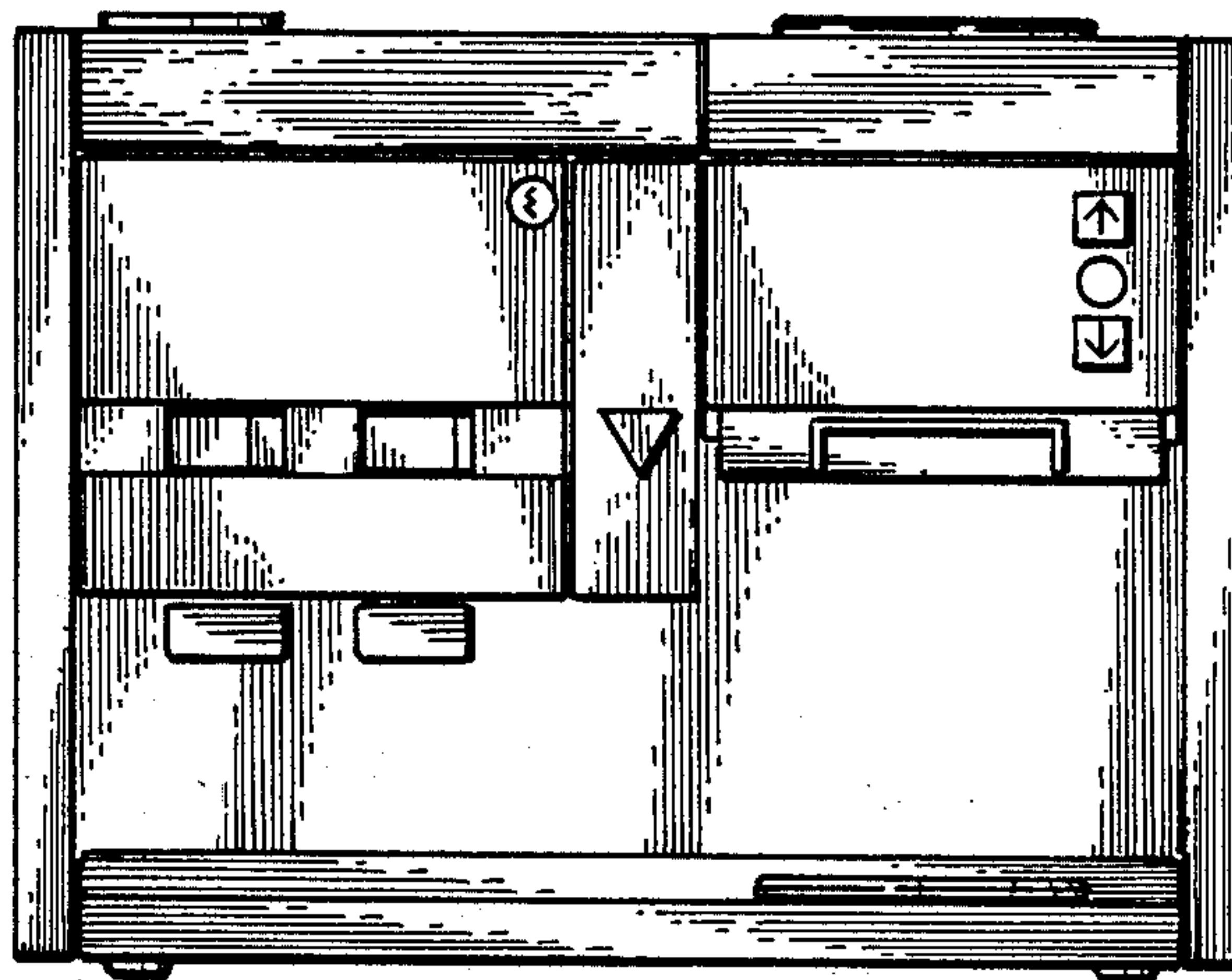
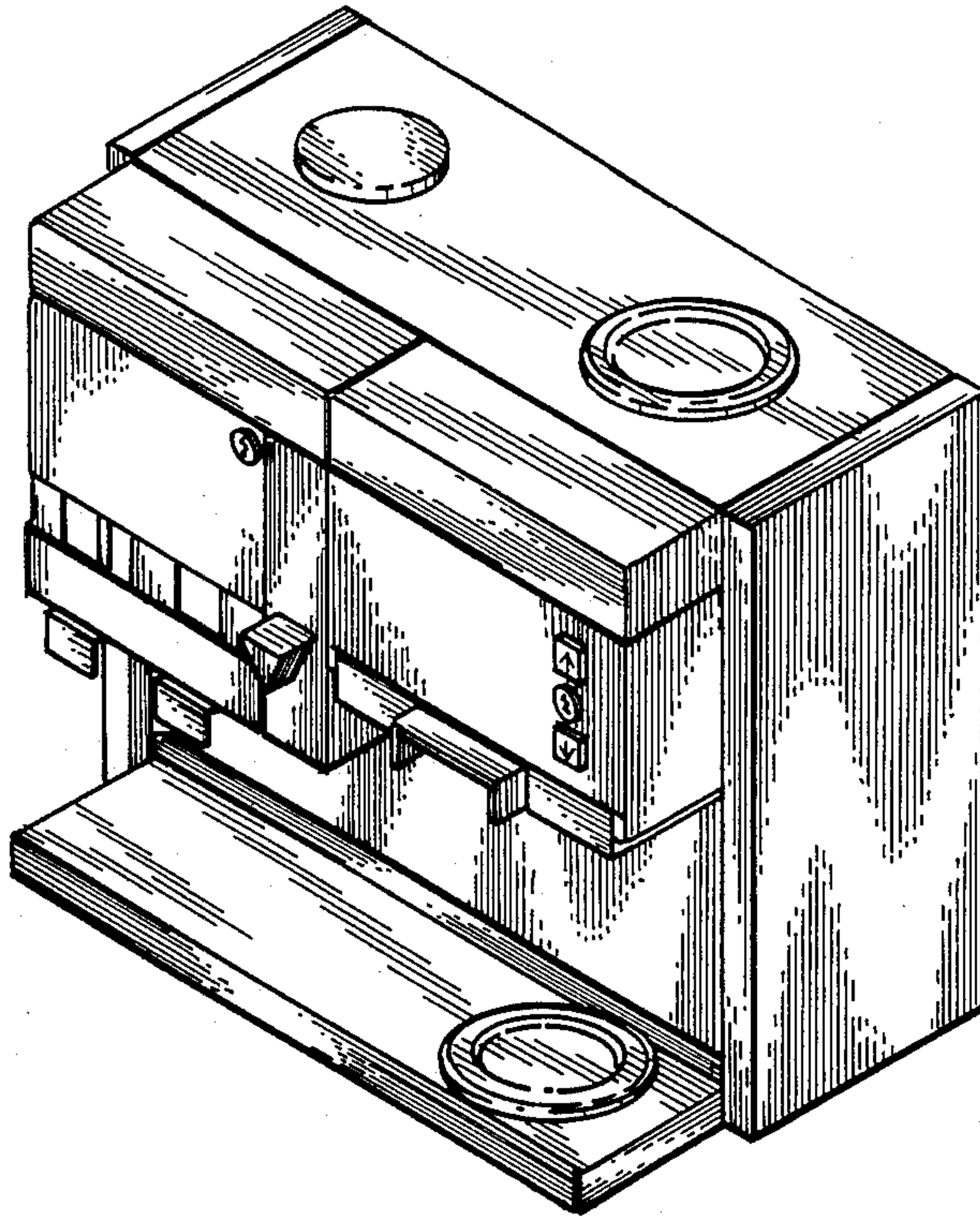


FIG. 2

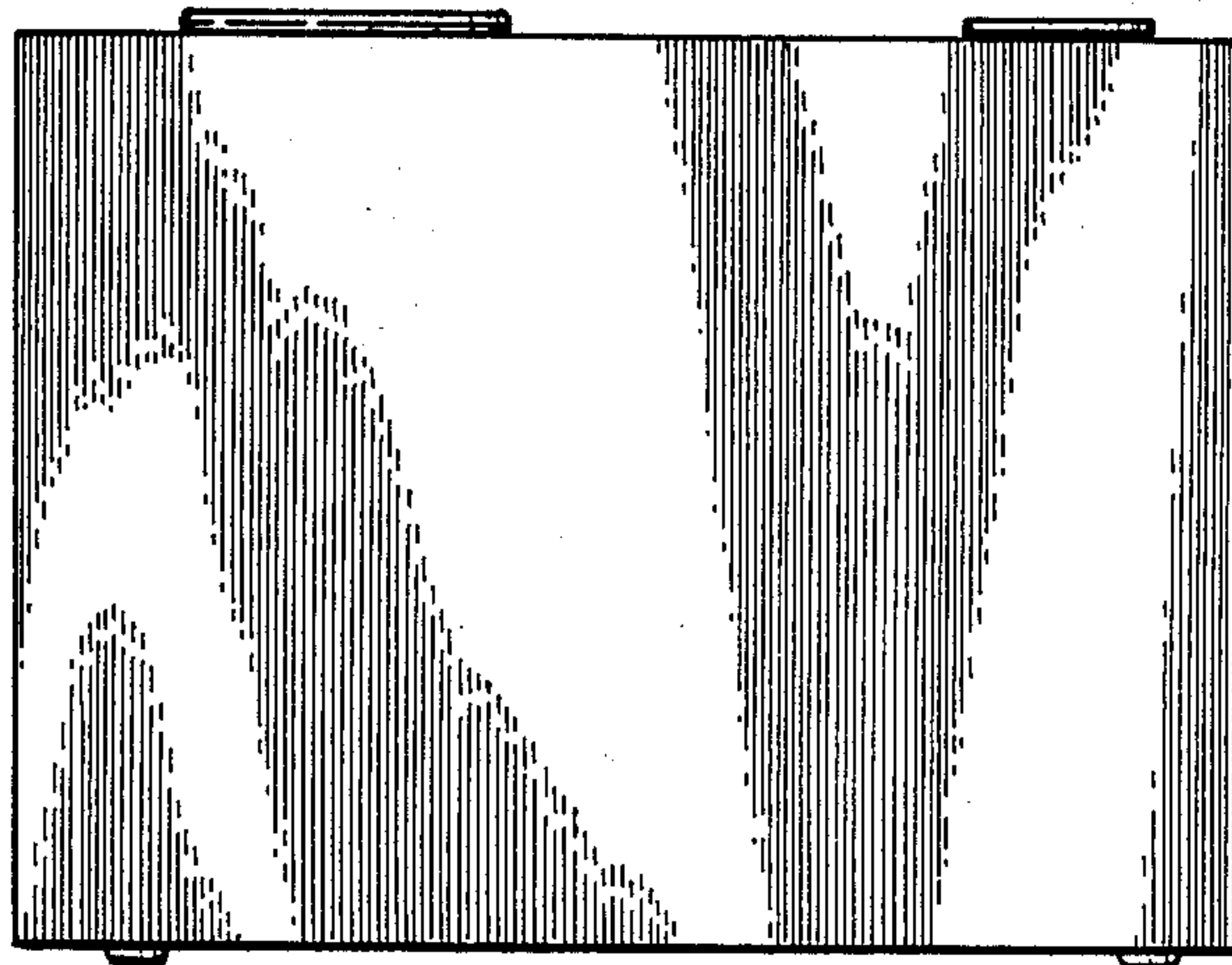


FIG. 3

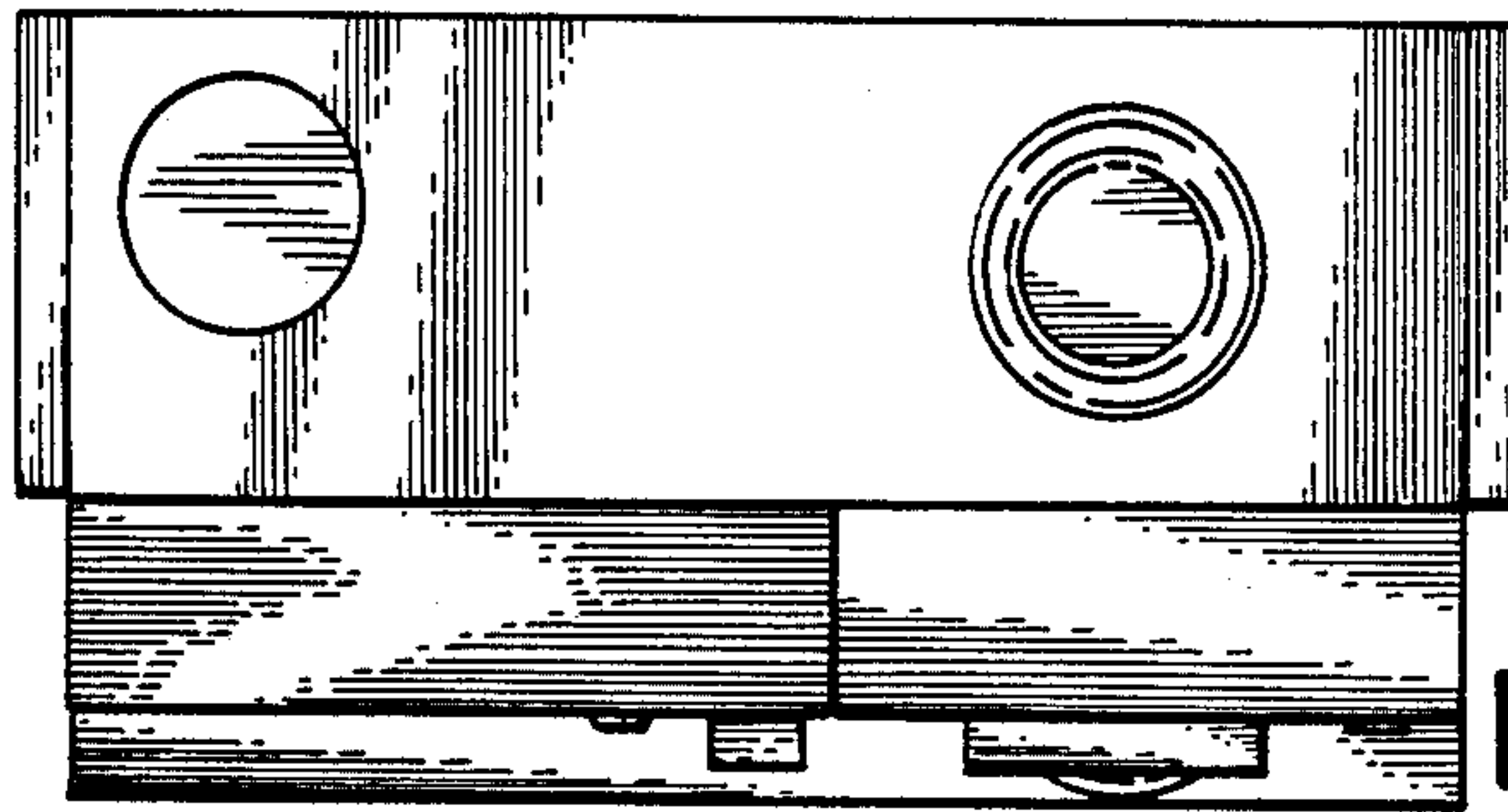


FIG. 4

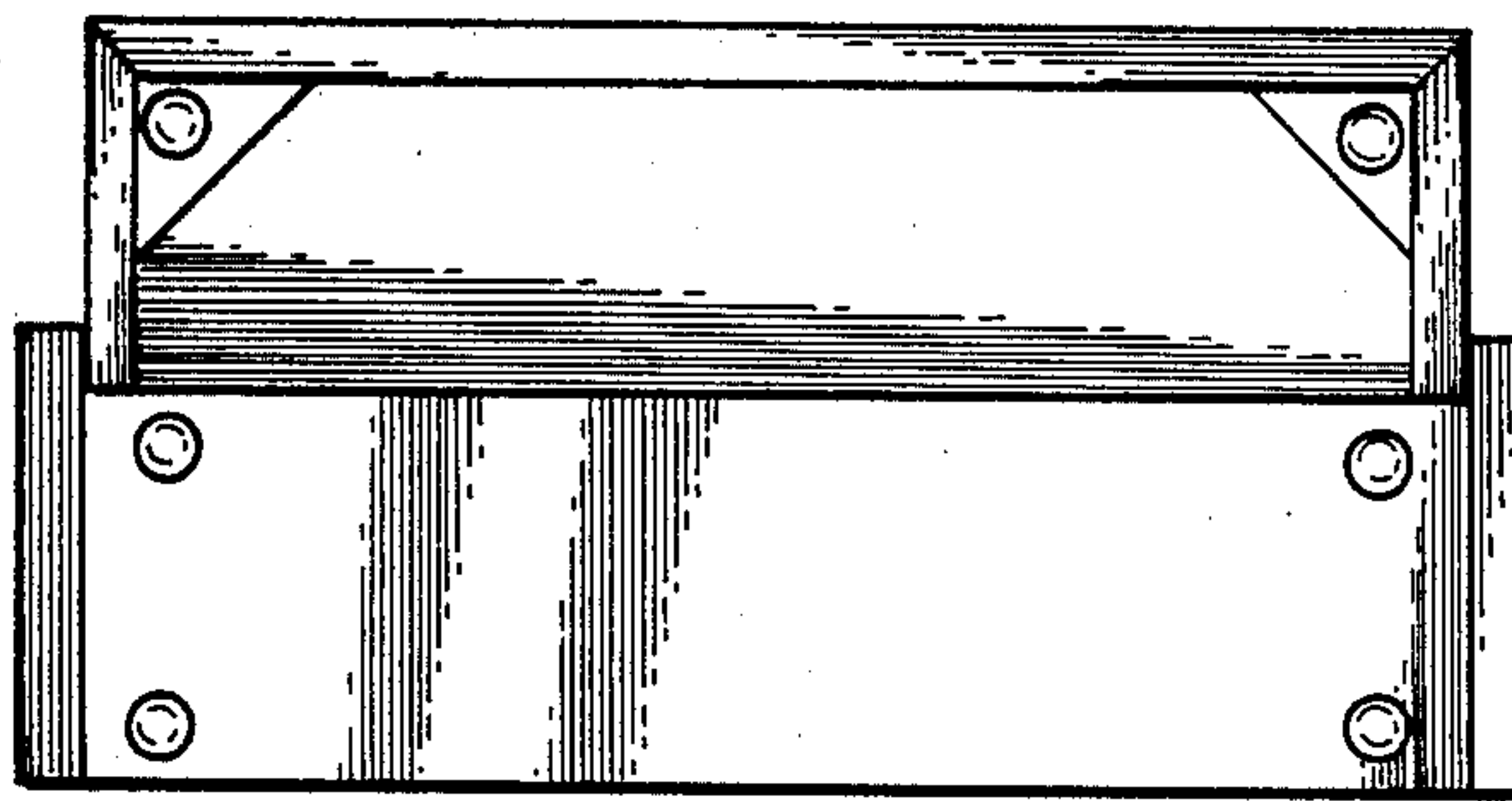


FIG. 5

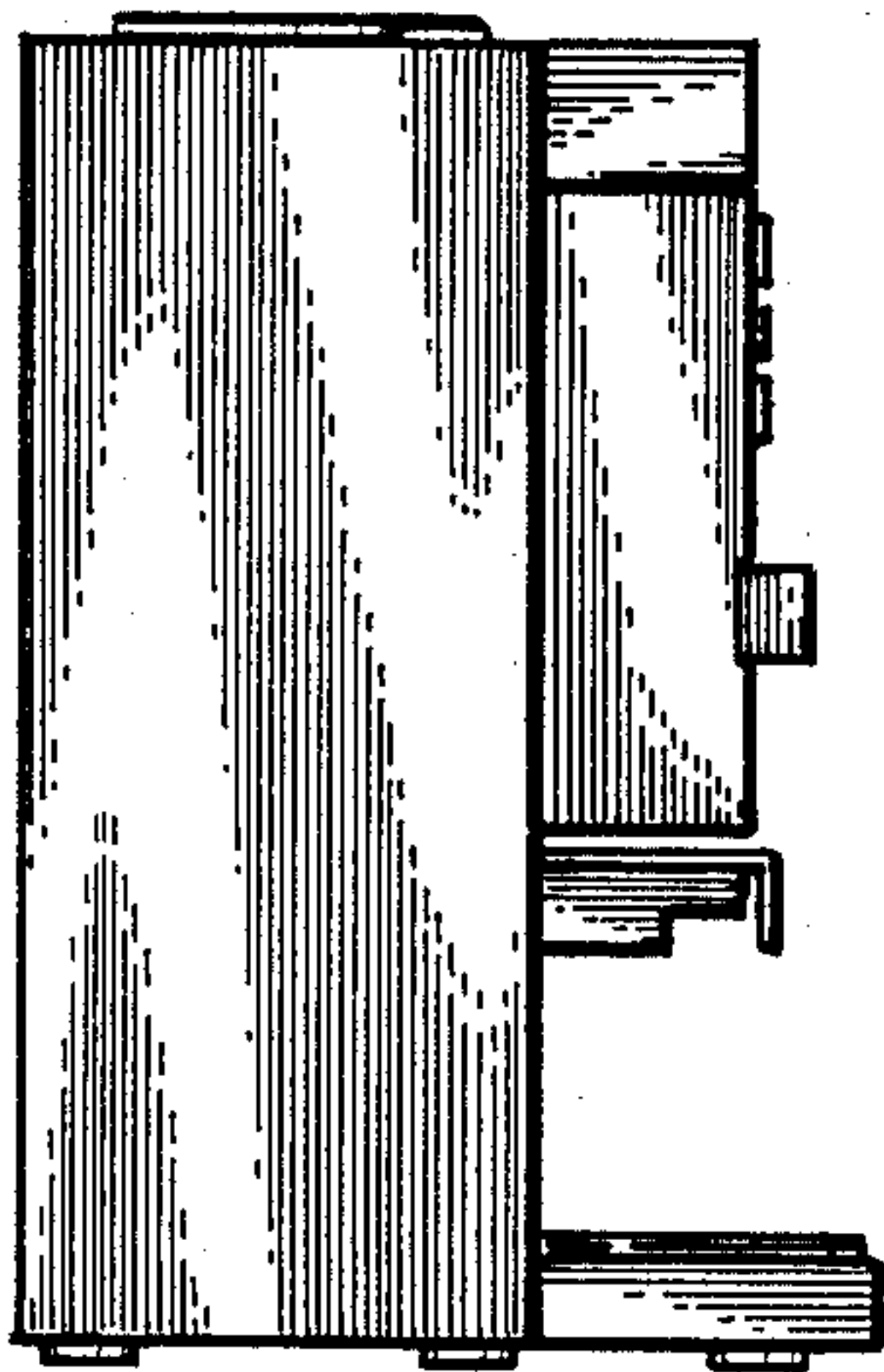


FIG. 6

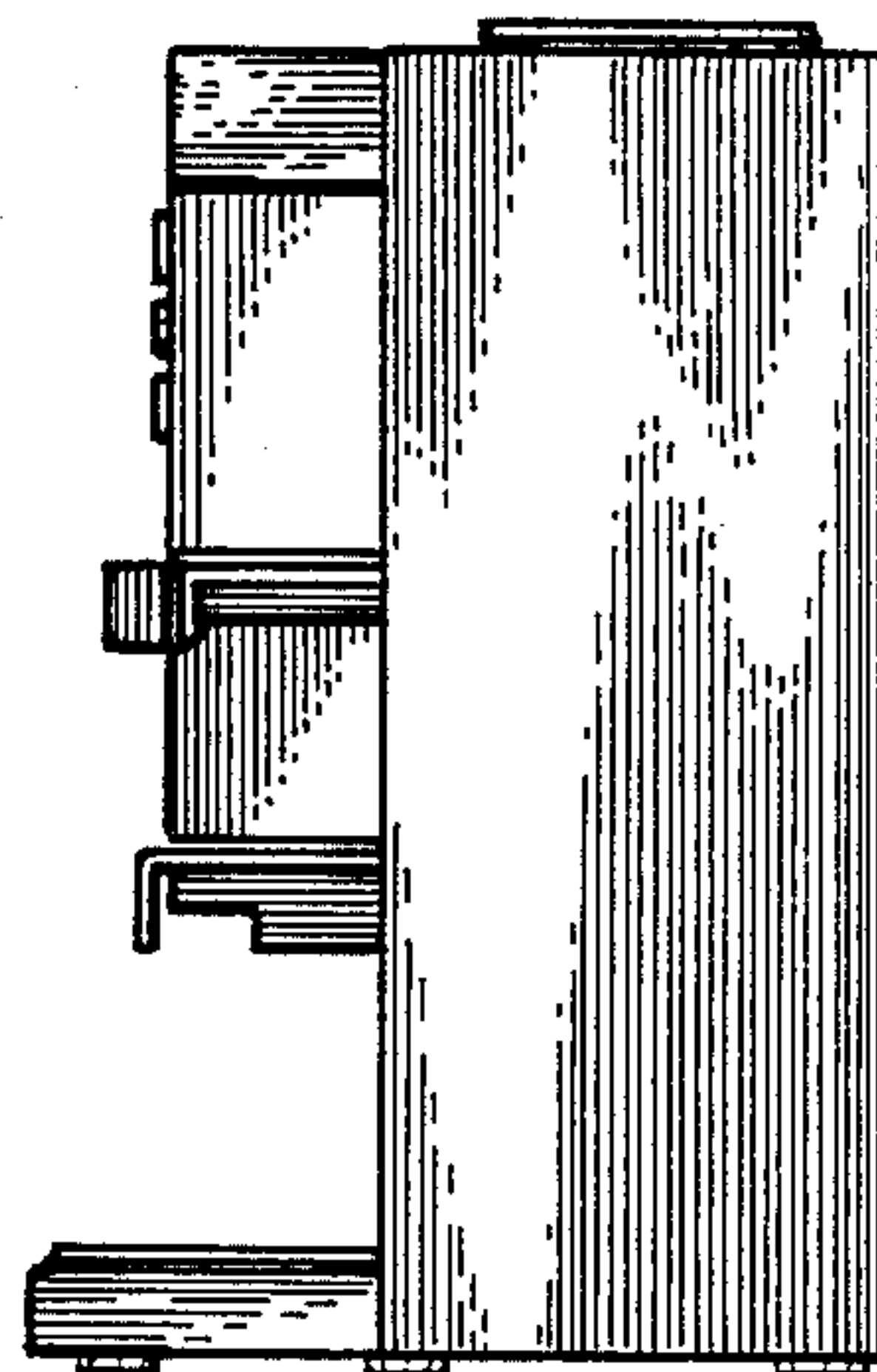


FIG. 7