

[54] GARLIC CRUSHER

[76] Inventors: Robert Bolduc, 944, 44th Avenue, Lachine, Quebec, Canada; Claude Bourbeau, 138 Paré, St-Jérôme, Quebec, Canada

[**] Term: 14 Years

[21] Appl. No.: 806,180

[22] Filed: Nov. 22, 1985

[30] Foreign Application Priority Data

Jun. 14, 1985 [CA] Canada 14-06-85-5
[52] U.S. Cl. D7/101
[58] Field of Search D7/101; 99/495; 100/125, 234

[56] References Cited

U.S. PATENT DOCUMENTS

3,580,168 5/1971 Tysset 99/495 X
4,466,346 8/1984 Gamelli D7/101 X

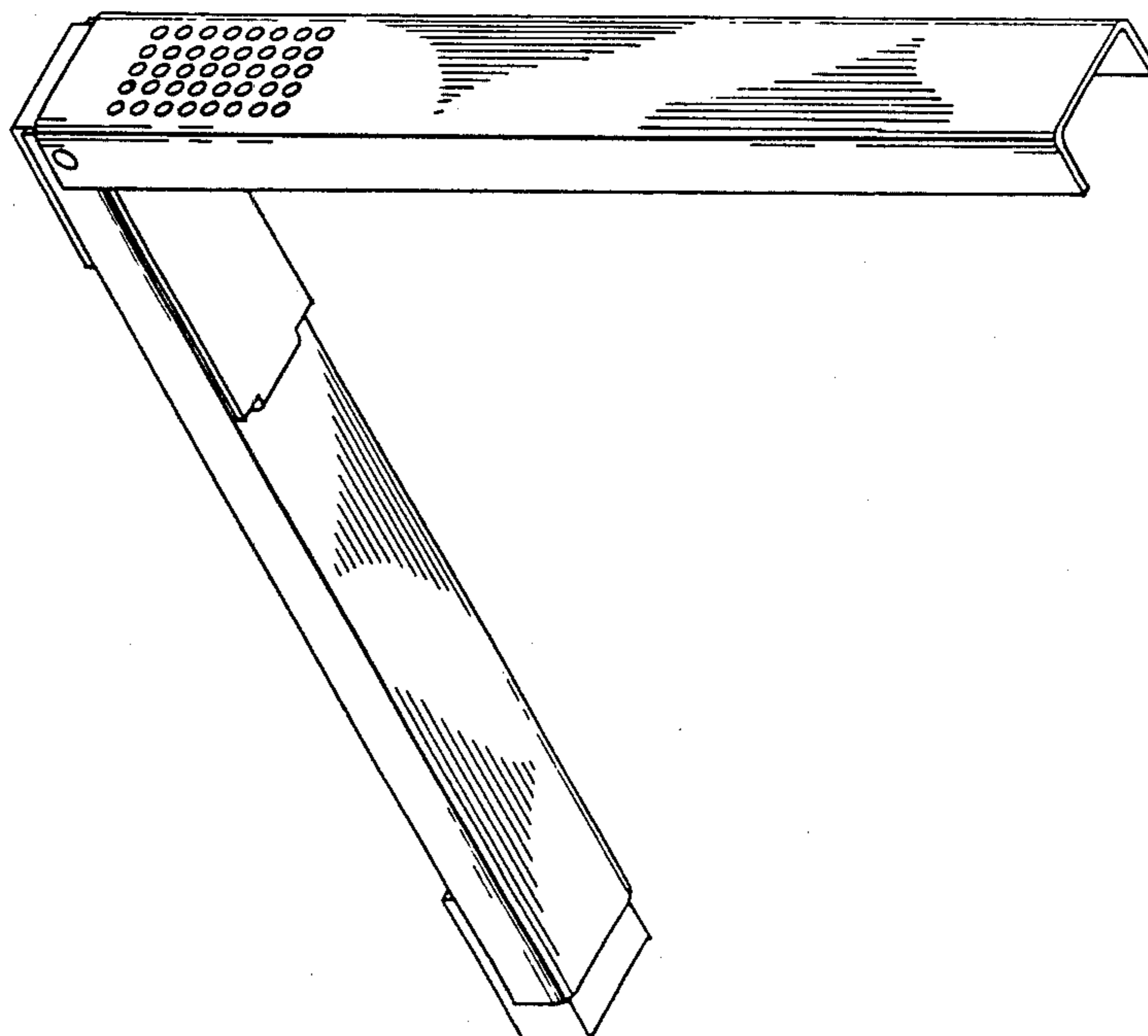
Primary Examiner—Bernard Ansher
Assistant Examiner—Terry Pfeffer
Attorney, Agent, or Firm—Robic, Robic & Associates

[57] CLAIM

The ornamental design for a garlic crusher, as shown and described.

DESCRIPTION

FIG. 1 is a perspective view of a garlic crusher showing our new design, in opened position;
FIG. 2 is a perspective view thereof in closed position;
FIG. 3 is a top plan view thereof;
FIG. 4 is a side elevational view thereof, the other side being substantially identical;
FIG. 5 is a rear elevational view thereof; and
FIG. 6 is a front elevational view thereof.



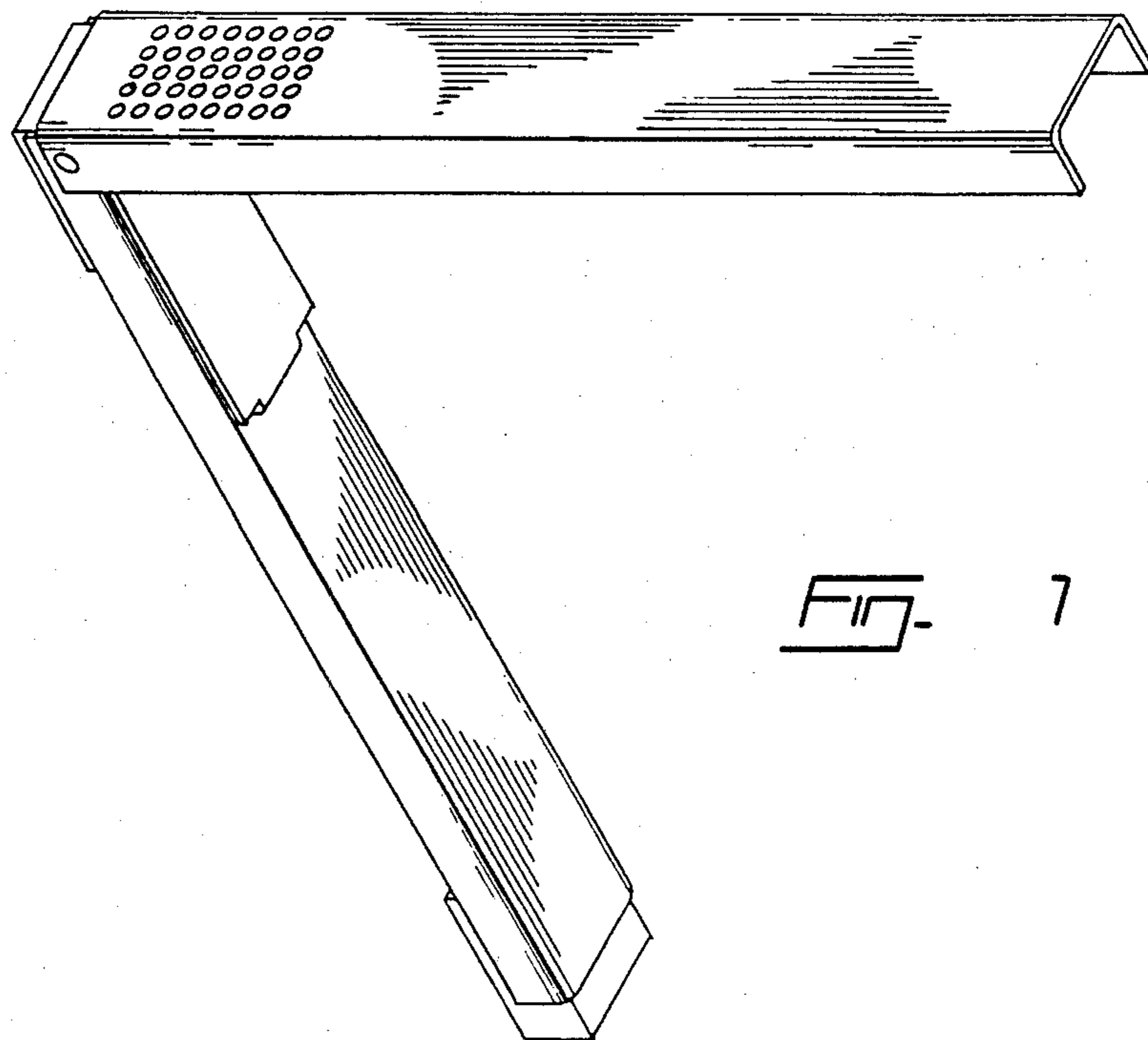


FIG. 7

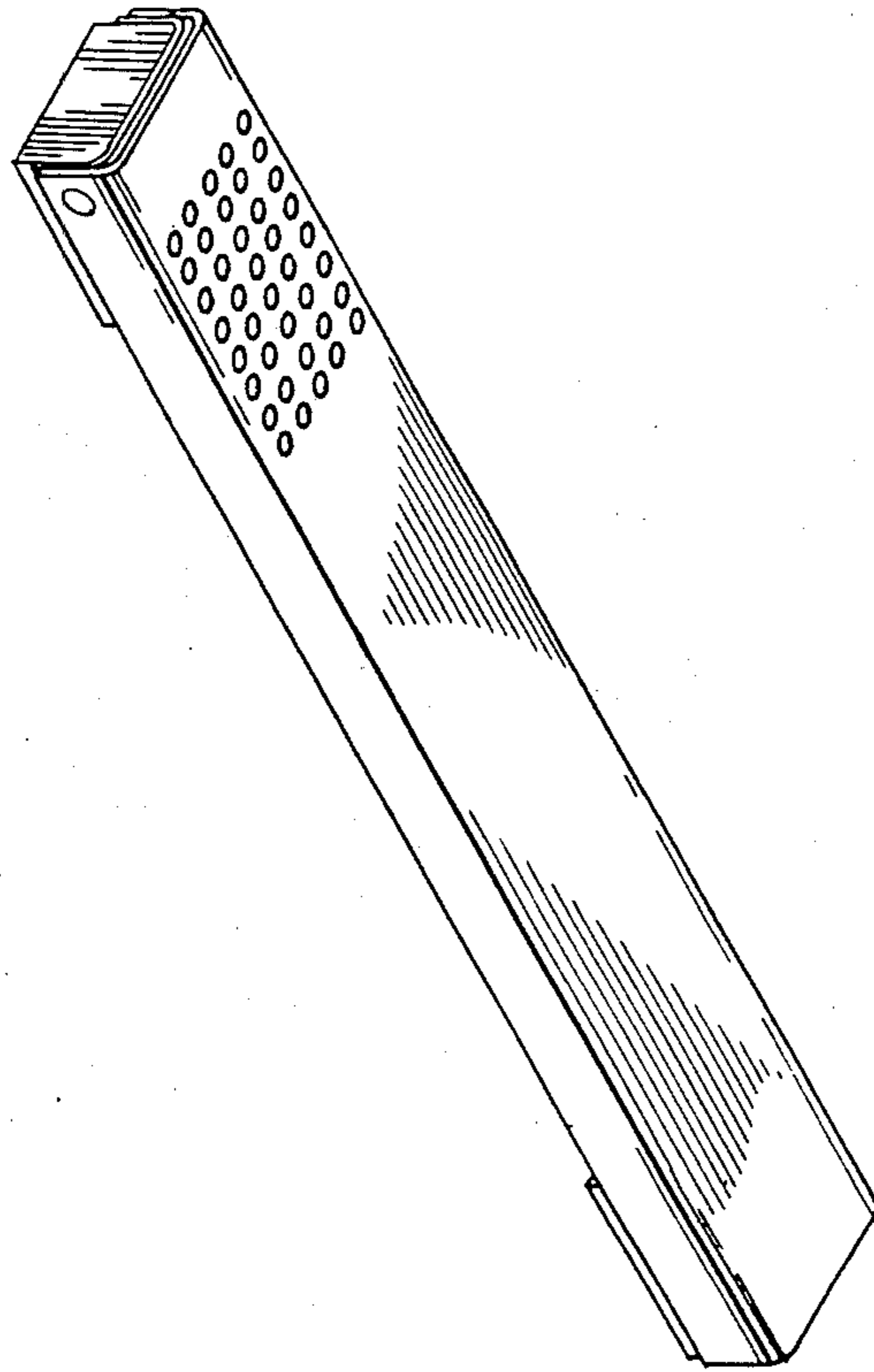


FIG. 2

