

# United States Patent [19]

Nichols et al.

[11] Patent Number: **Des. 298,717**

[45] Date of Patent: **\*\* Nov. 29, 1988**

[54] **INFANT'S DRINKING CUP**

[75] Inventors: **Khipra Nichols, Providence; Fred D. Eddins, Mapleville; David W. Crossley, Woonsocket, all of R.I.**

[73] Assignee: **Playskool Baby, Inc., Northvale, N.J.**

[\*\*] Term: **14 Years**

[21] Appl. No.: **834,432**

[22] Filed: **Feb. 19, 1986**

[52] U.S. Cl. .... **D7/10; D7/40**

[58] Field of Search ..... **D7/9, 10, 6, 40**

[56] **References Cited**

**U.S. PATENT DOCUMENTS**

D. 155,304 9/1949 McKay ..... D7/10

D. 162,085 2/1951 Rogers ..... D7/10  
D. 216,730 3/1970 Carslaw ..... D7/10  
D. 220,845 6/1971 Mascetti, Jr. .... D7/9  
2,792,696 5/1957 Stayart ..... D7/10 X  
4,096,966 6/1978 Korshak ..... D7/10 X

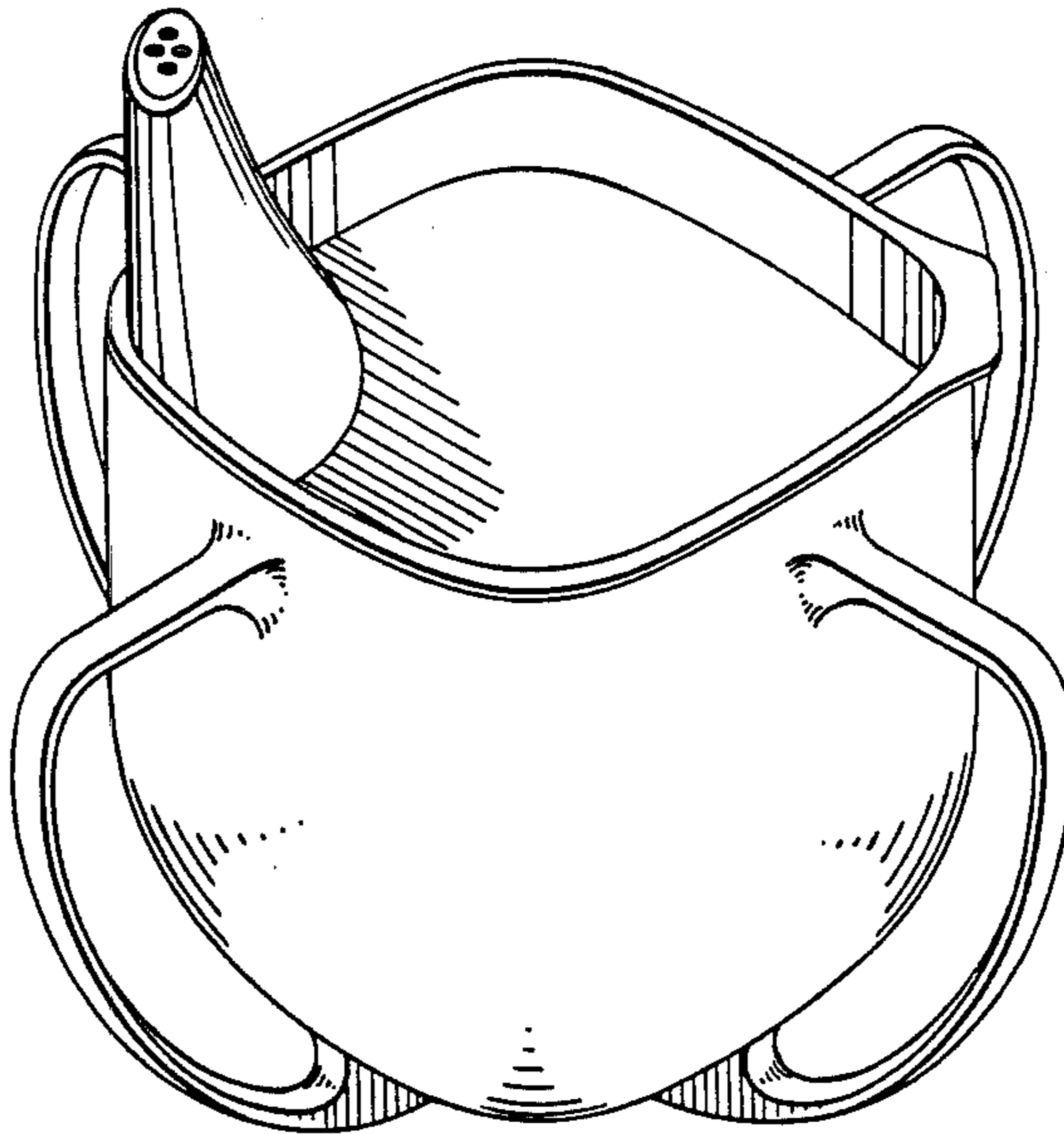
*Primary Examiner*—Winifred E. Herrmann  
*Attorney, Agent, or Firm*—Salter & Michaelson

[57] **CLAIM**

The ornamental design for an infant's drinking cup, as shown.

**DESCRIPTION**

FIG. 1 is a perspective view of an infant's drinking cup showing our new design; FIG. 2 is a top plan view thereof; FIG. 3 is a side elevational view thereof; and FIG. 4 is a bottom plan view thereof.



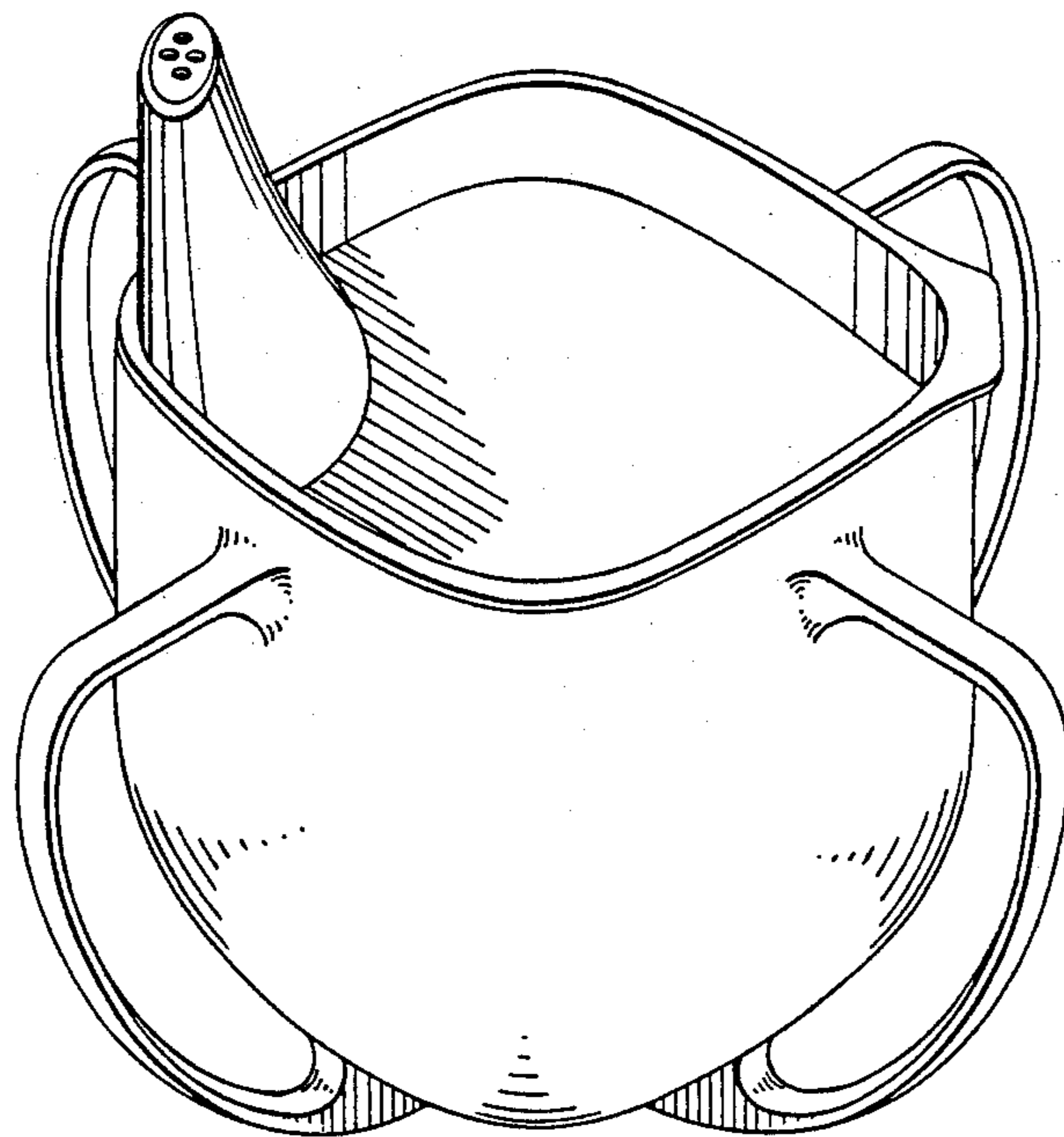


FIG. 1

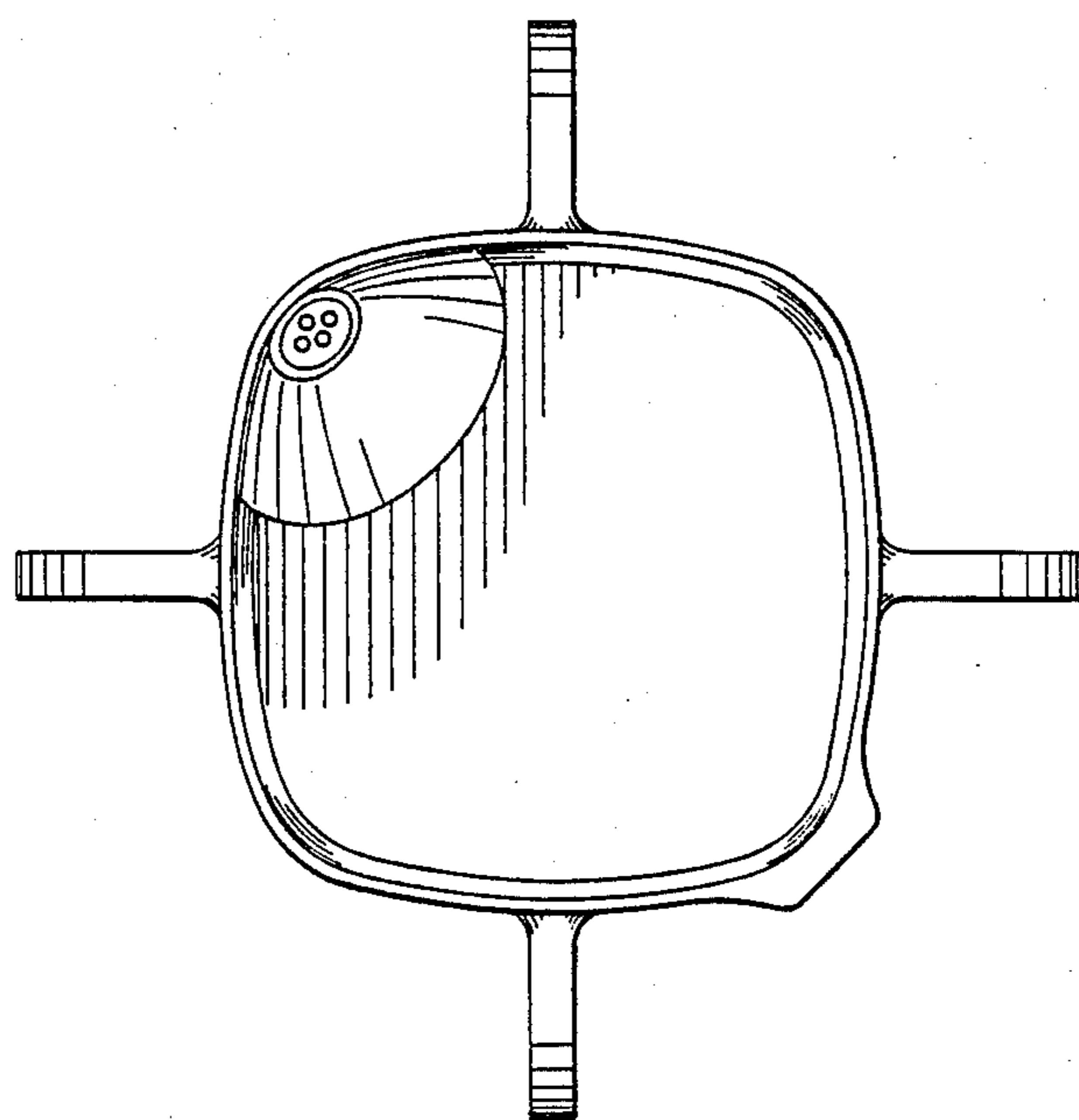


FIG. 2

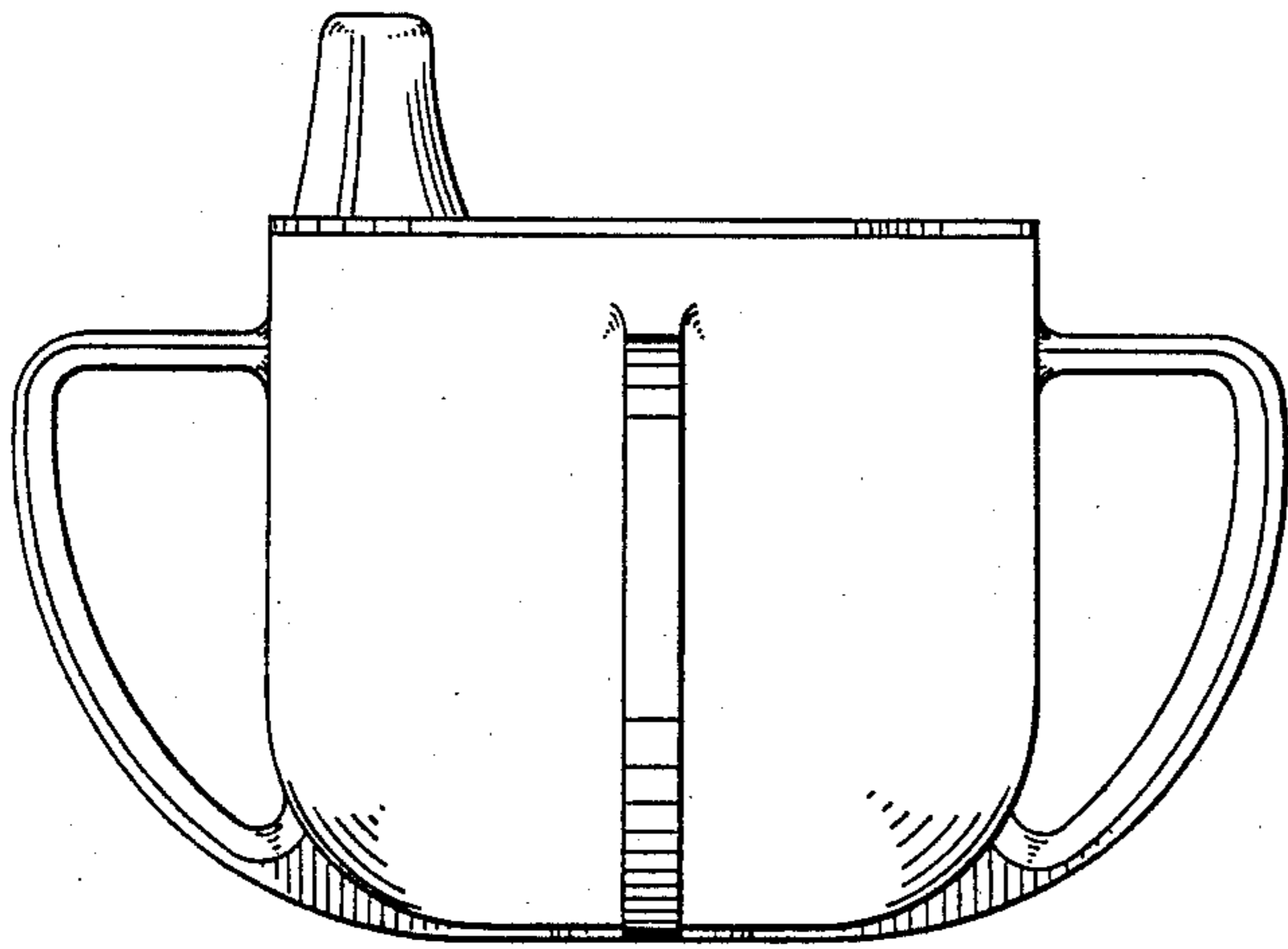


FIG. 3

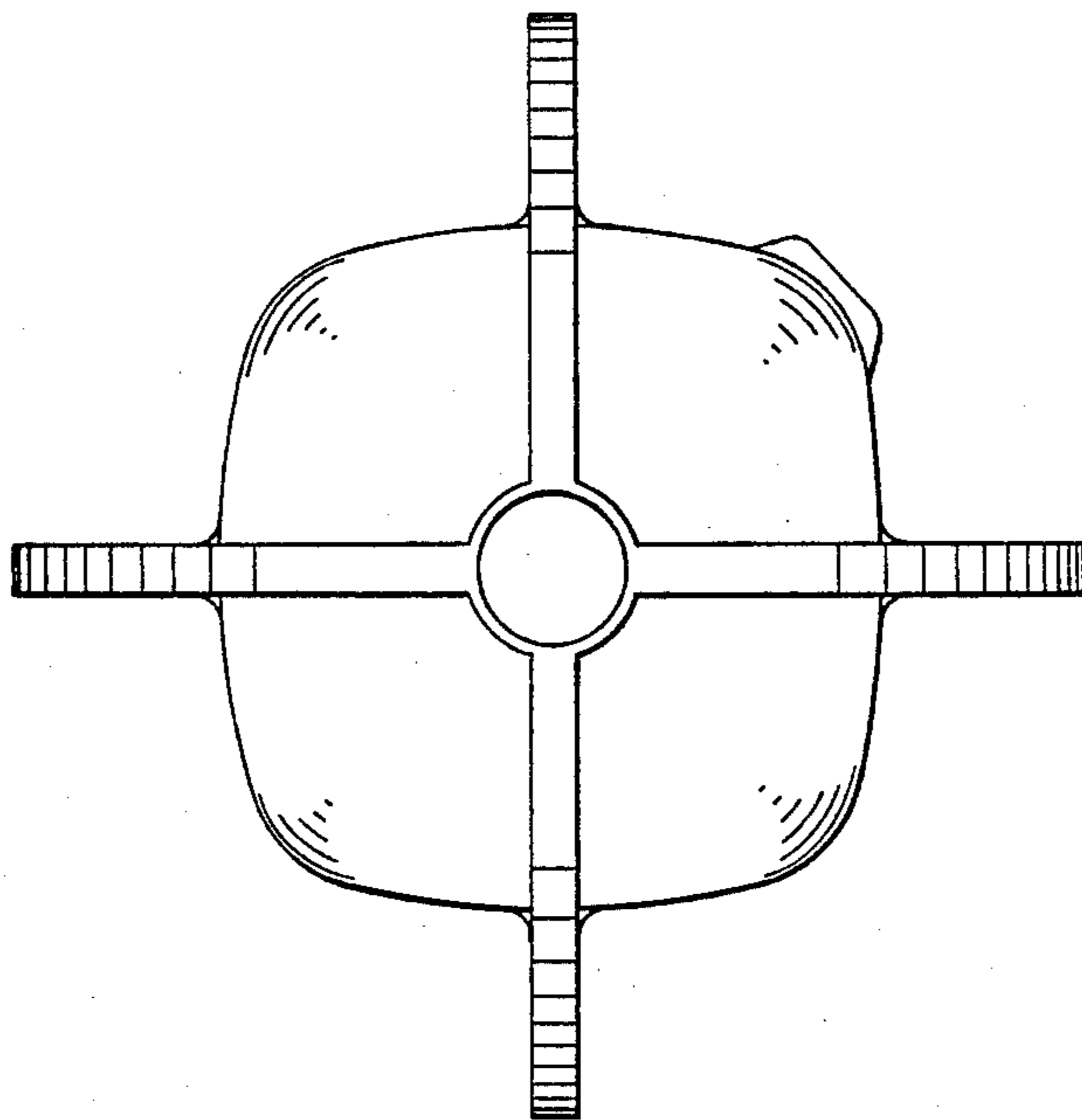


FIG. 4