

[54] **BAG HOLDER OR THE LIKE**

[75] **Inventor: Randolph D. Prader, Fairport, N.Y.**

[73] **Assignee: Mobil Oil Corporation, New York, N.Y.**

[*] **Notice:** The portion of the term of this patent subsequent to Mar. 18, 2000 has been disclaimed.

[**] **Term: 14 Years**

[21] **Appl. No.: 803,996**

[22] **Filed: Nov. 7, 1985**

[52] **U.S. Cl. D6/566**

[58] **Field of Search D6/553, 566, 567, 572; 186/66; 53/390; 211/181; 312/211; 248/95, 99-101, 97-98**

[56]

References Cited

U.S. PATENT DOCUMENTS

D. 264,651	6/1982	Adamson	D6/566
D. 264,653	6/1982	Adamson	D6/566
D. 271,067	10/1983	Prader	D6/566
D. 273,159	3/1984	Adamson et al.	D6/566
D. 274,905	6/1982	Adamson	D6/566
D. 282,994	3/1986	Prader	D6/566
4,623,111	11/1986	Prader	D6/512 X

Primary Examiner—Wallace R. Burke
Assistant Examiner—Brian N. Vinson
Attorney, Agent, or Firm—Alexander J. McKillop;
Michael G. Gilman; James P. O'Sullivan, Sr.

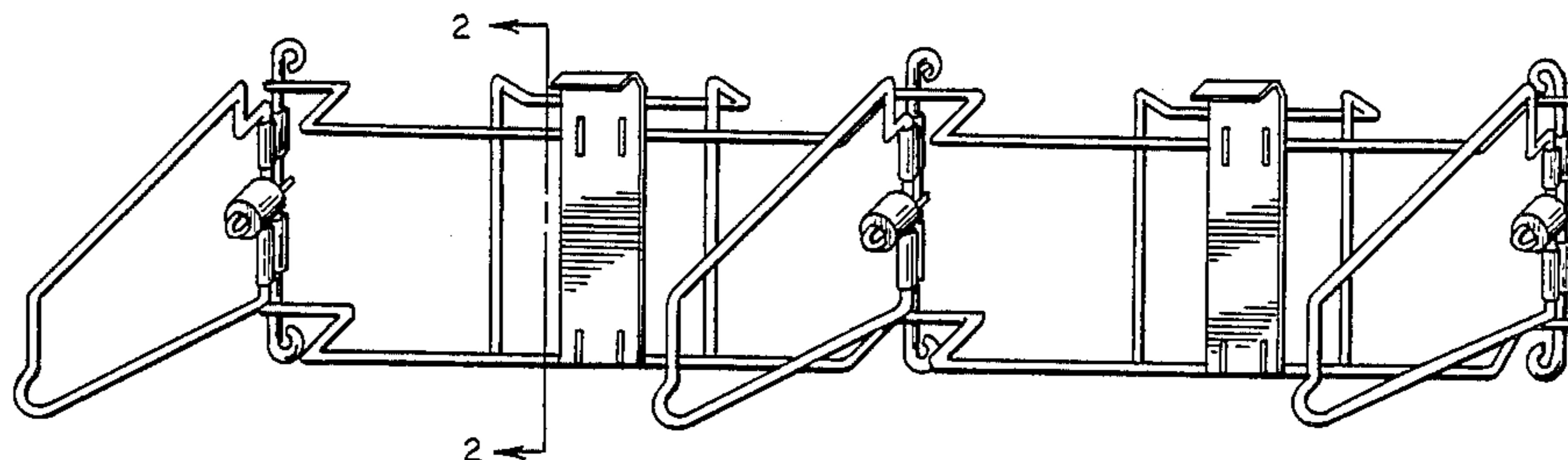
[57]

CLAIM

The ornamental design for a bag holder or the like, as shown and described.

DESCRIPTION

FIG. 1 is perspective view of bag holder or the like showing my new design;
FIG. 2 is an enlarged vertical cross-sectional view taken along line 2—2 of FIG. 1 showing one end thereof; and
FIG. 3 is a top plan view thereof.



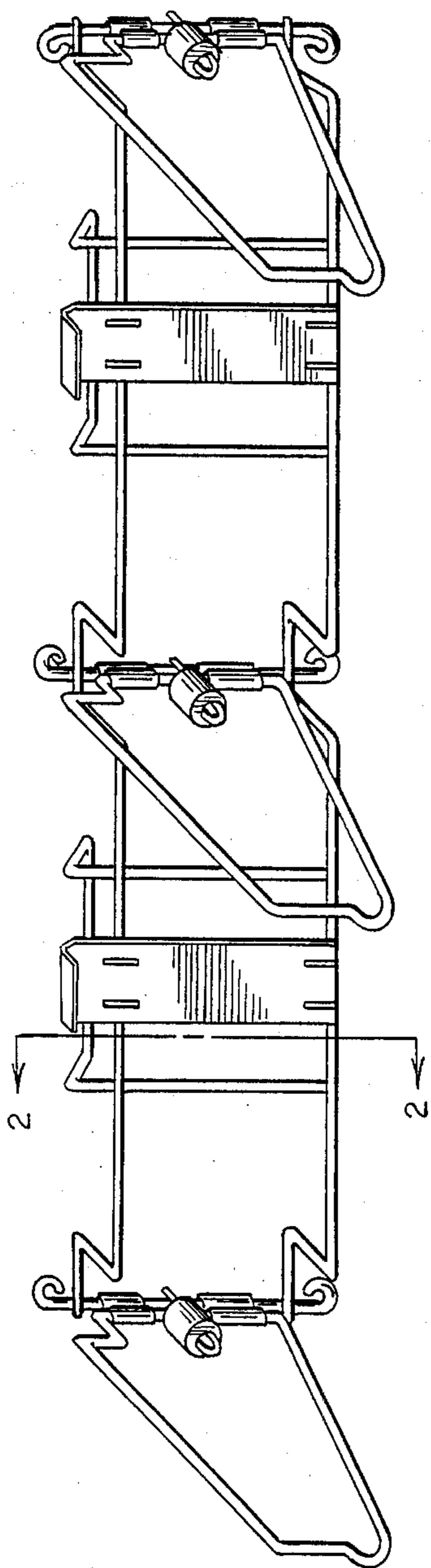


FIG. 1

FIG. 2

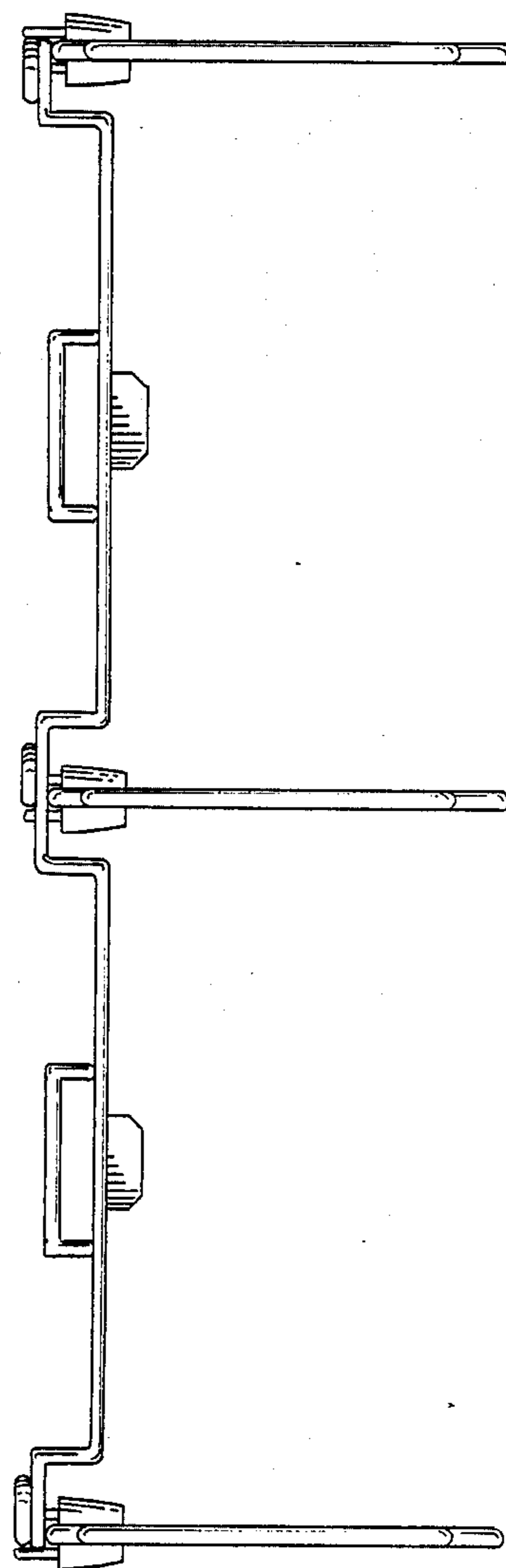
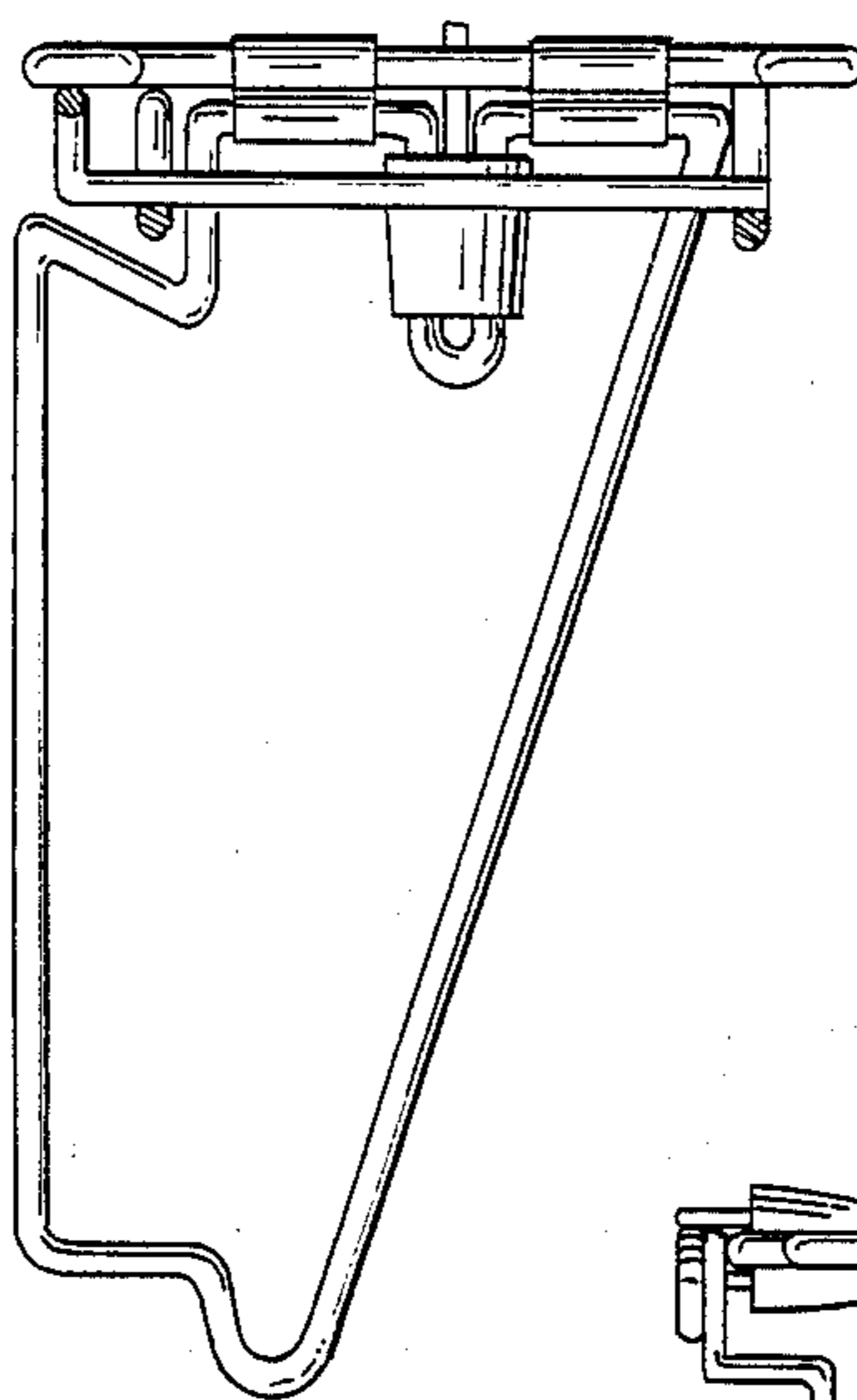


FIG. 3