

[54] **MECHANICS ROLLER SEAT**

[76] **Inventor: Alois J. Koller, Sr., 201 Riviera Dr., Fenton, Mo. 63026**

[**] **Term: 14 Years**

[21] **Appl. No.: 808,947**

[22] **Filed: Dec. 16, 1985**

[52] **U.S. Cl. D34/23; D6/336**

[58] **Field of Search D34/17, 23; D6/349, D6/350, 336; 297/461, 462; 280/32.5, 32.6; 182/230, 15, 46**

[56] **References Cited**

U.S. PATENT DOCUMENTS

D. 276,861	12/1984	Keddie	D6/336
D. 279,238	6/1985	Ferdinand et al.	D6/350
D. 287,434	12/1986	Wolfe et al.	D6/336
2,798,732	7/1957	Craig	280/32.5
3,599,750	8/1971	Serwer	182/15
3,669,494	6/1972	Lohmeyer	297/462
3,721,315	3/1973	Wehner	182/15

Primary Examiner—Wallace R. Burke
Assistant Examiner—Kay H. Chin
Attorney, Agent, or Firm—Cohn, Powell and Hind

[57] **CLAIM**

The ornamental design for a mechanics roller seat, as shown and described.

DESCRIPTION

FIG. 1 is a perspective view of a mechanics roller seat showing my new design;

FIG. 2 is a top plan view thereof;

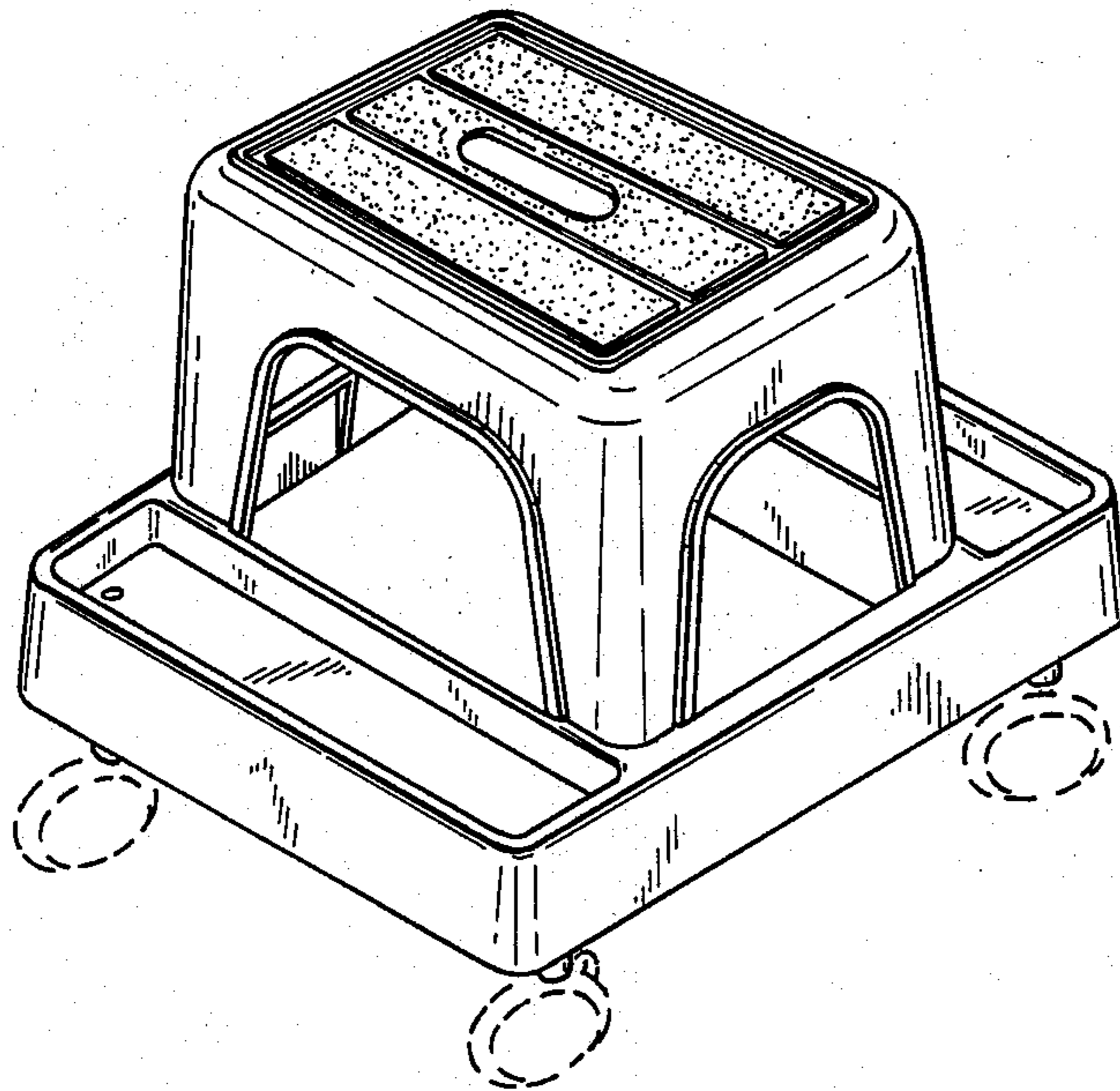
FIG. 3 is a front elevational view thereof, the rear elevational view being a mirror image of that shown;

FIG. 4 is a side elevational view thereof, the opposite side elevational view being a mirror image of that shown;

FIG. 5 is a cross-sectional view thereof taken along line 5—5, of FIG. 2, and

FIG. 6 is a cross-sectional view taken along line 6—6 of FIG. 2.

The broken lines shown in FIGS. 1, 2, 3 and 4 of the drawings are for illustrative purposes only and form no part of the claimed design.



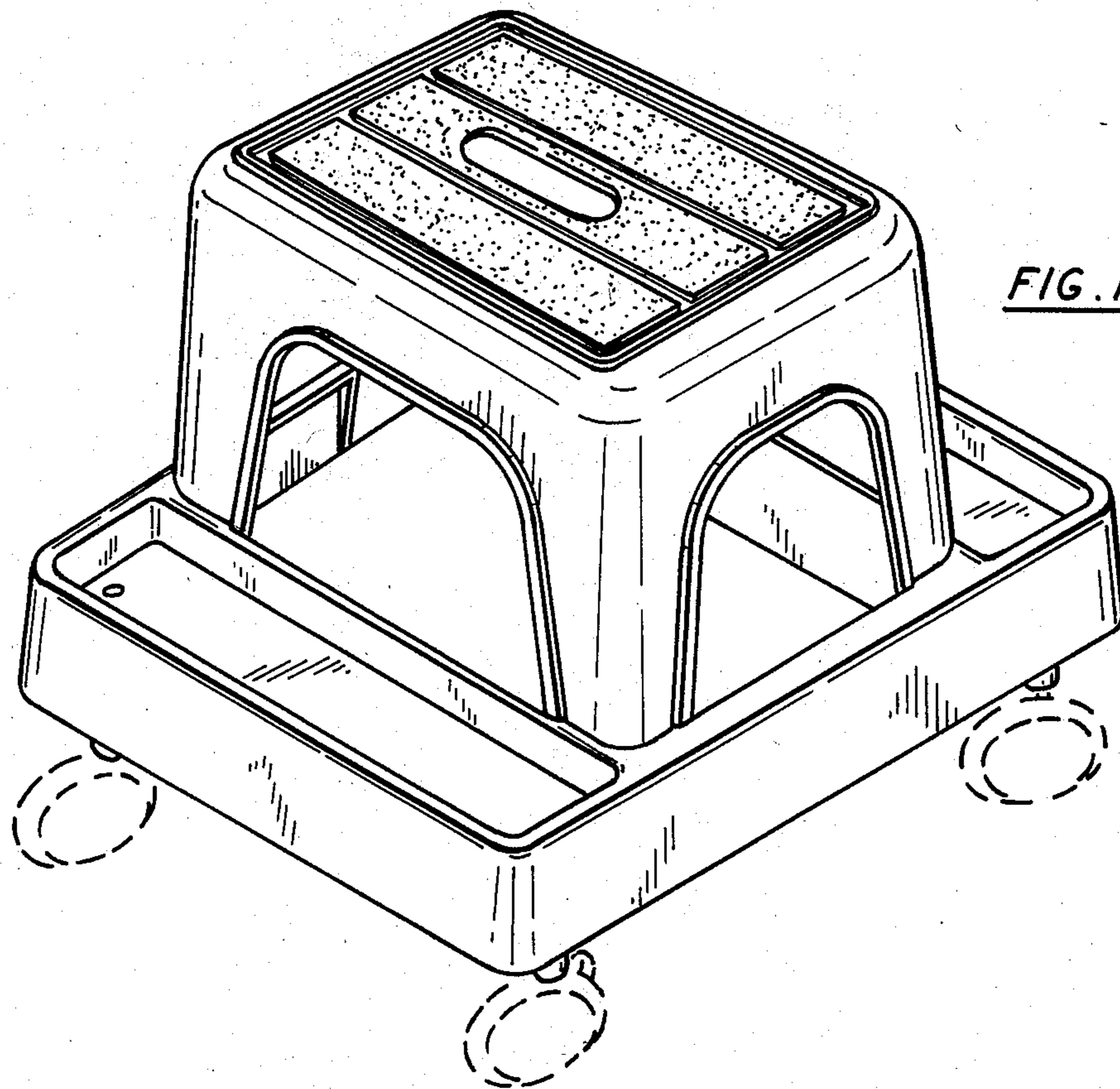


FIG. 1.

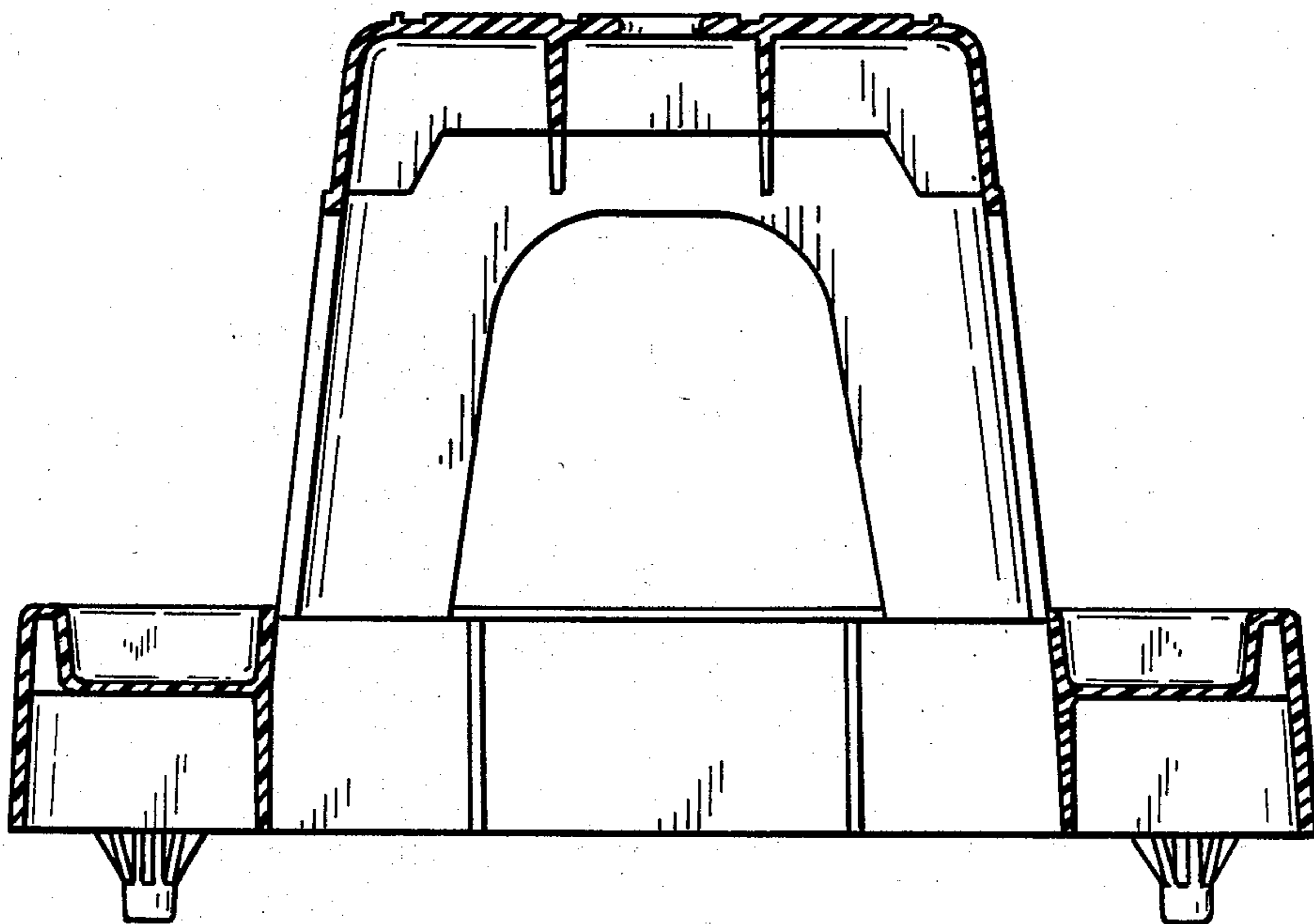
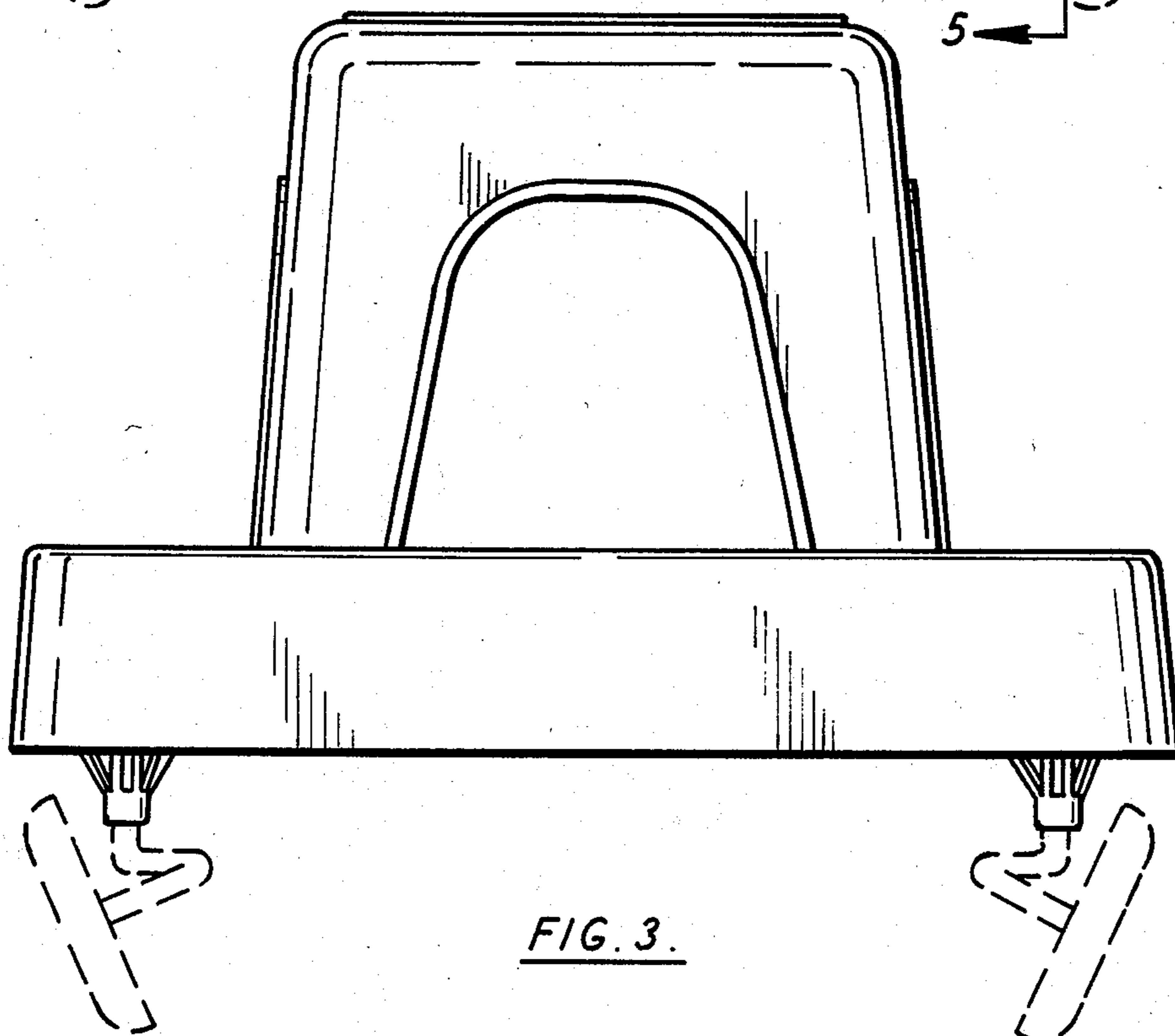
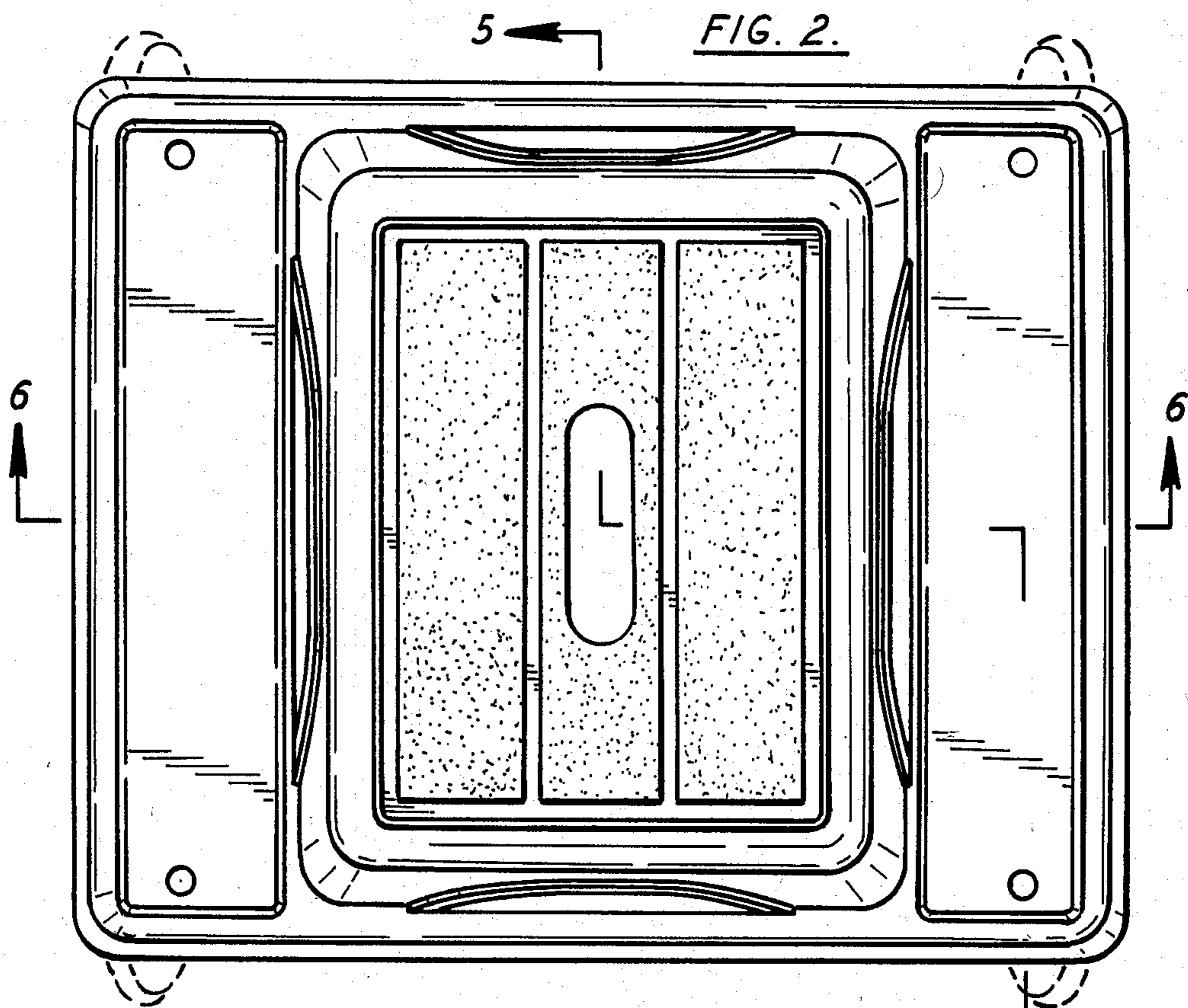


FIG. 6.



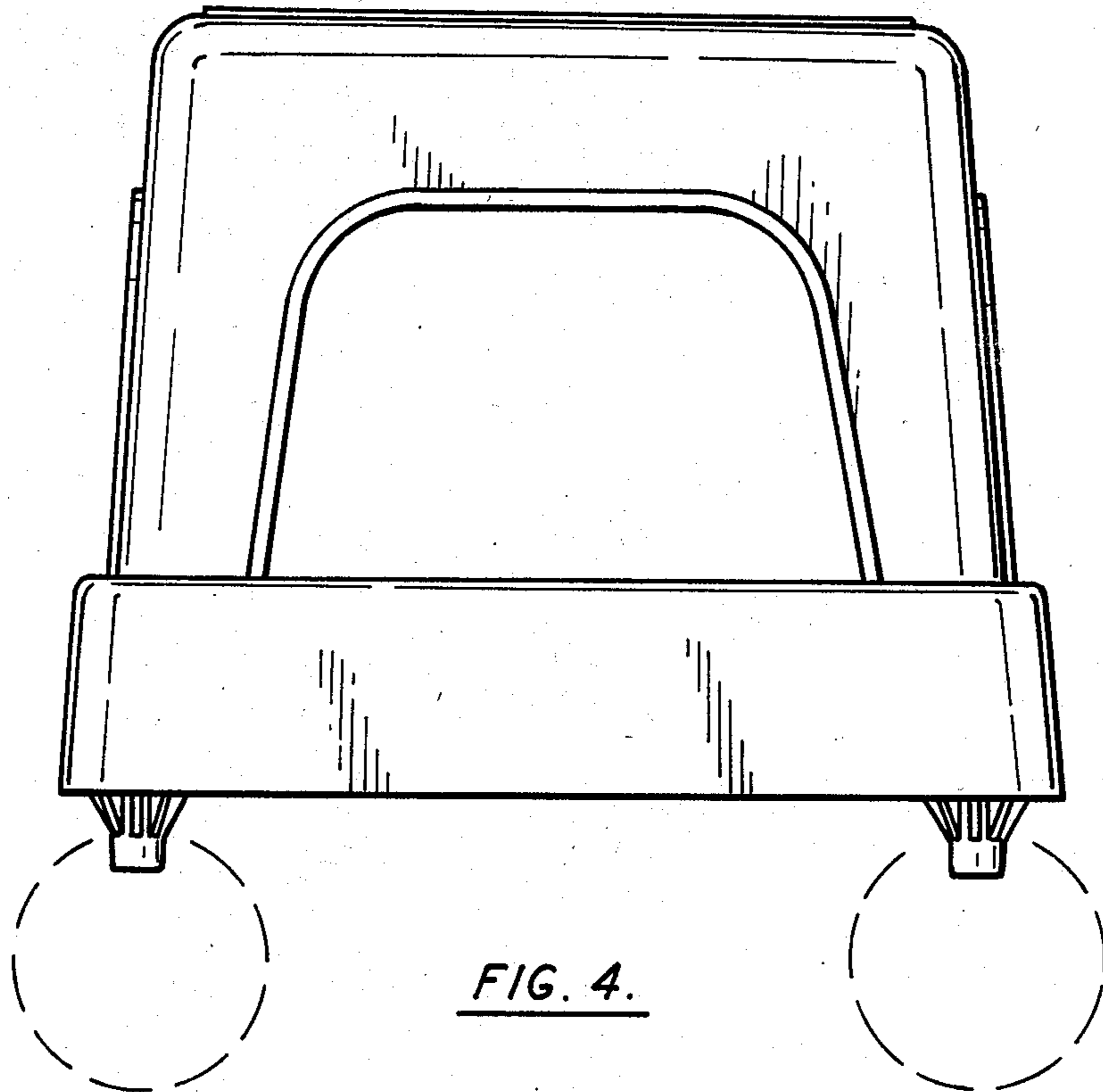


FIG. 4.

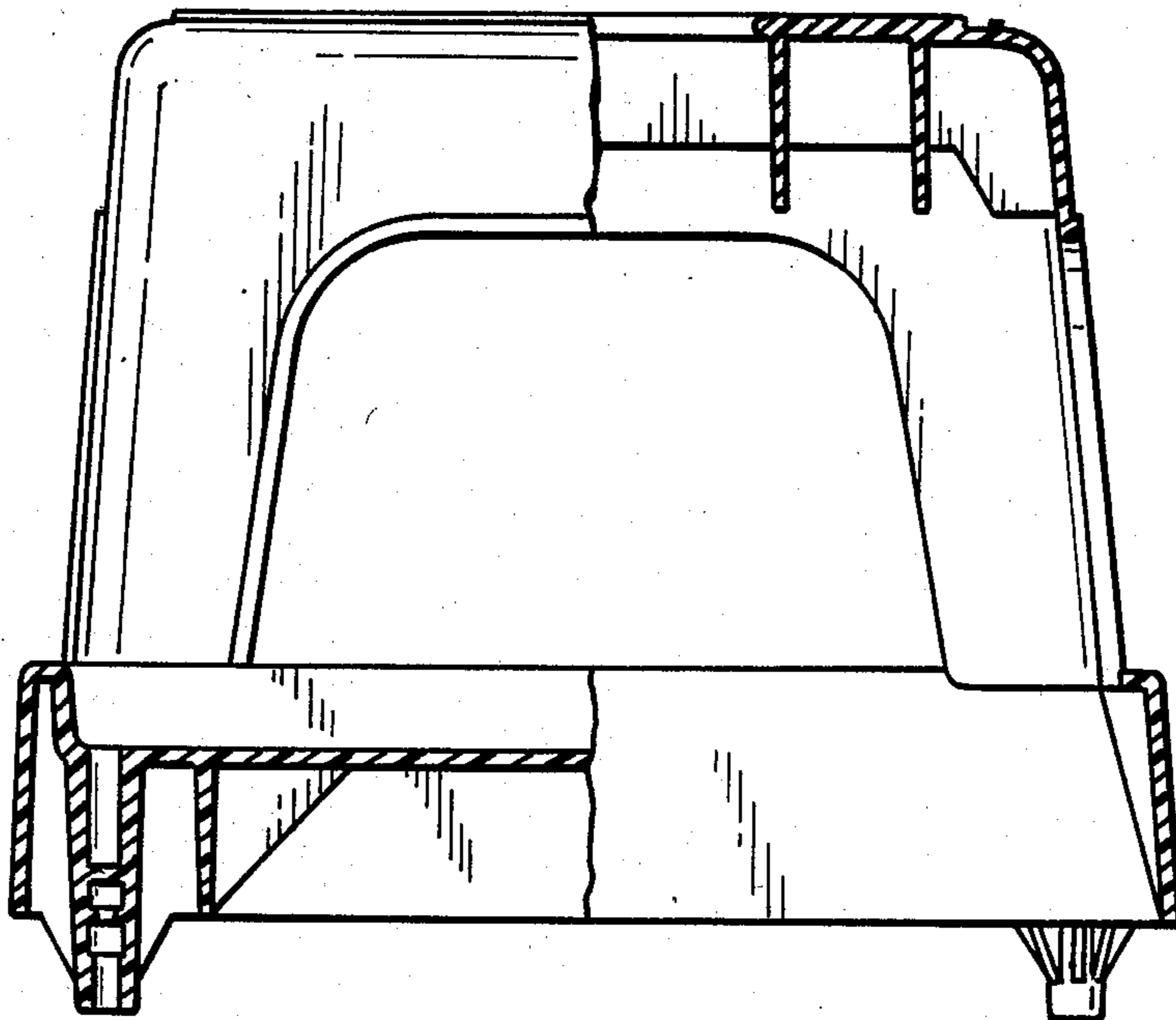


FIG. 5.