

[54] HAND VACUUM CLEANER

[75] Inventors: Hans E. Slany; Reinhard Renner, both of Esslingen, Fed. Rep. of Germany

[73] Assignee: Progress-Elektrogeraete Mauz & Pfeiffer GmbH, Nürtingen, Fed. Rep. of Germany

[**] Term: 14 Years

[21] Appl. No.: 806,562

[22] Filed: Nov. 26, 1985

[30] Foreign Application Priority Data

May 28, 1985 [DE] Fed. Rep. of Germany I2774/85(MR811

[52] U.S. Cl. D32/18

[58] Field of Search D32/21, 22, 31-34; 15/320, 321, 323, 328-329, 344, 347, 350, 351

[56] References Cited

U.S. PATENT DOCUMENTS

- D. 277,325 1/1985 Hug D32/24
- D. 286,335 10/1986 Strohmeyer D32/22
- 4,581,787 4/1986 Torigoe et al. 15/351

OTHER PUBLICATIONS

Merchandising Week, Jul. 11, 1960, p. 71, "Frantz Cleaners."

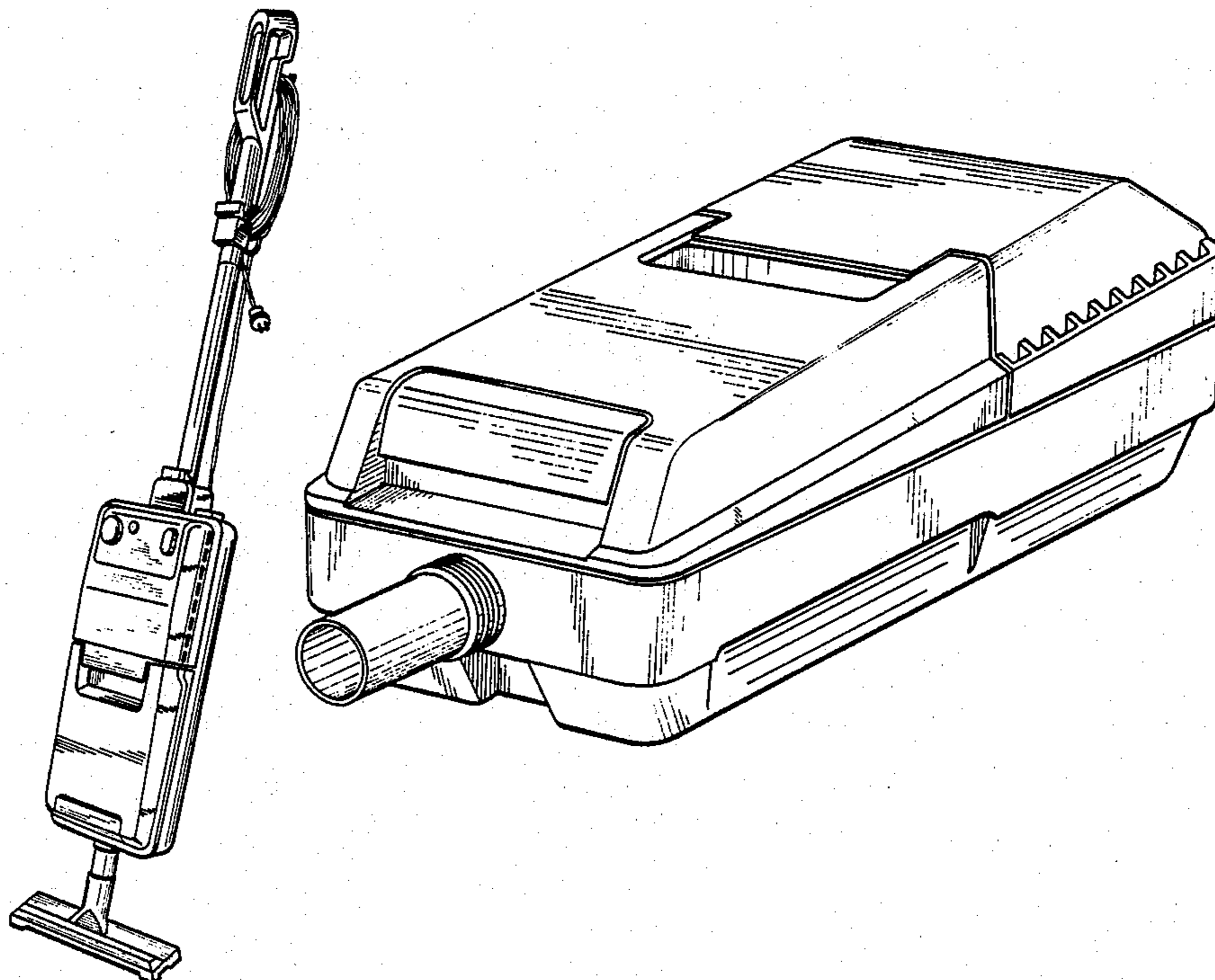
Primary Examiner—Wallace R. Burke
Assistant Examiner—Ruth Takemoto
Attorney, Agent, or Firm—Kline, Rommel & Colbert

[57] CLAIM

The ornamental design for a hand vacuum cleaner, as shown.

DESCRIPTION

FIG. 1 is a top, front and side perspective view of a vacuum cleaner showing our new design;
 FIG. 2 is a perspective view thereof, with the mounting pipe in an alternate position;
 FIG. 3 is a top, front and side perspective view thereof;
 FIG. 4 is a left side elevational view thereof;
 FIG. 5 is a right elevational view thereof;
 FIG. 6 is a front elevational view thereof;
 FIG. 7 is a rear elevational view thereof;
 FIG. 8 is a top plan view thereof;
 FIG. 9 is a bottom plan view thereof;
 FIG. 10 is a top, front and side perspective view of a second embodiment thereof, with the mounting pipe, handle and nozzle omitted for ease of illustration;
 FIG. 11 is a left side elevational view thereof;
 FIG. 12 is a right side elevational view thereof;
 FIG. 13 is a front elevational view thereof;
 FIG. 14 is a rear elevational view thereof;
 FIG. 15 is a top plan view thereof;
 FIG. 16 is a bottom plan view thereof;
 FIG. 17 is a top, rear and side perspective view of the handle;
 FIG. 18 is a right side elevational;
 FIG. 19 is a top plan view thereof;
 FIG. 20 is a bottom plan view thereof;
 FIG. 21 is a rear elevational view thereof; and
 FIG. 22 is a front elevational view thereof;
 The electrical cord in FIGS. 1 and 2 is removed from FIGS. 3-16 for ease of illustration. The handle is shown separate in FIGS. 17-22 for clarity of illustration.



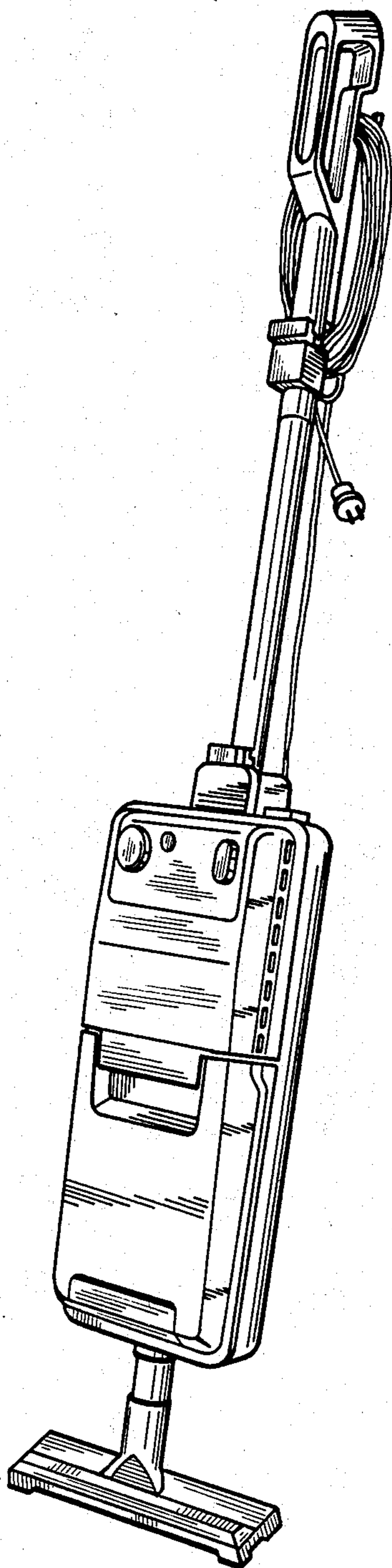


FIG. 1

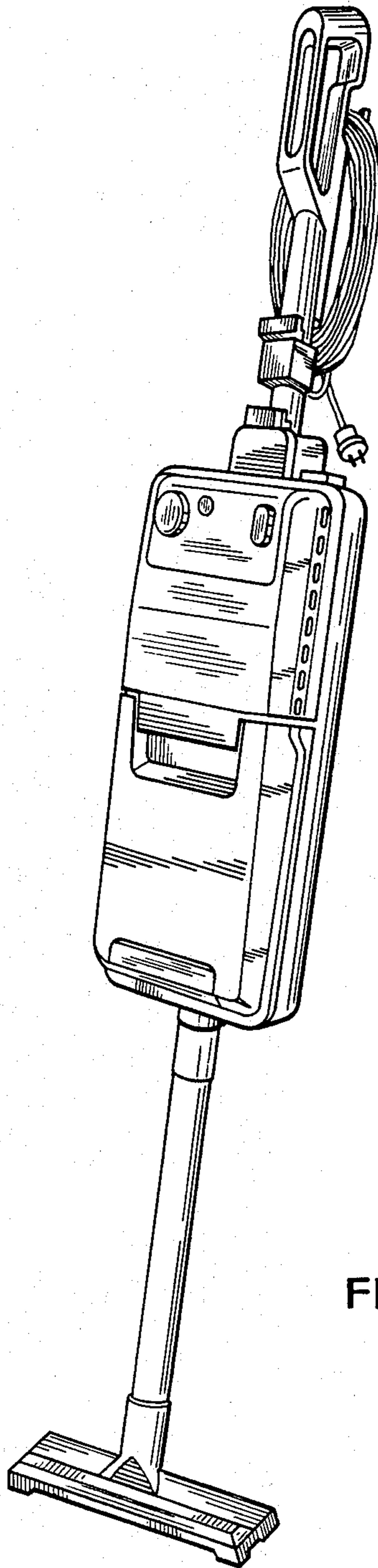


FIG.2

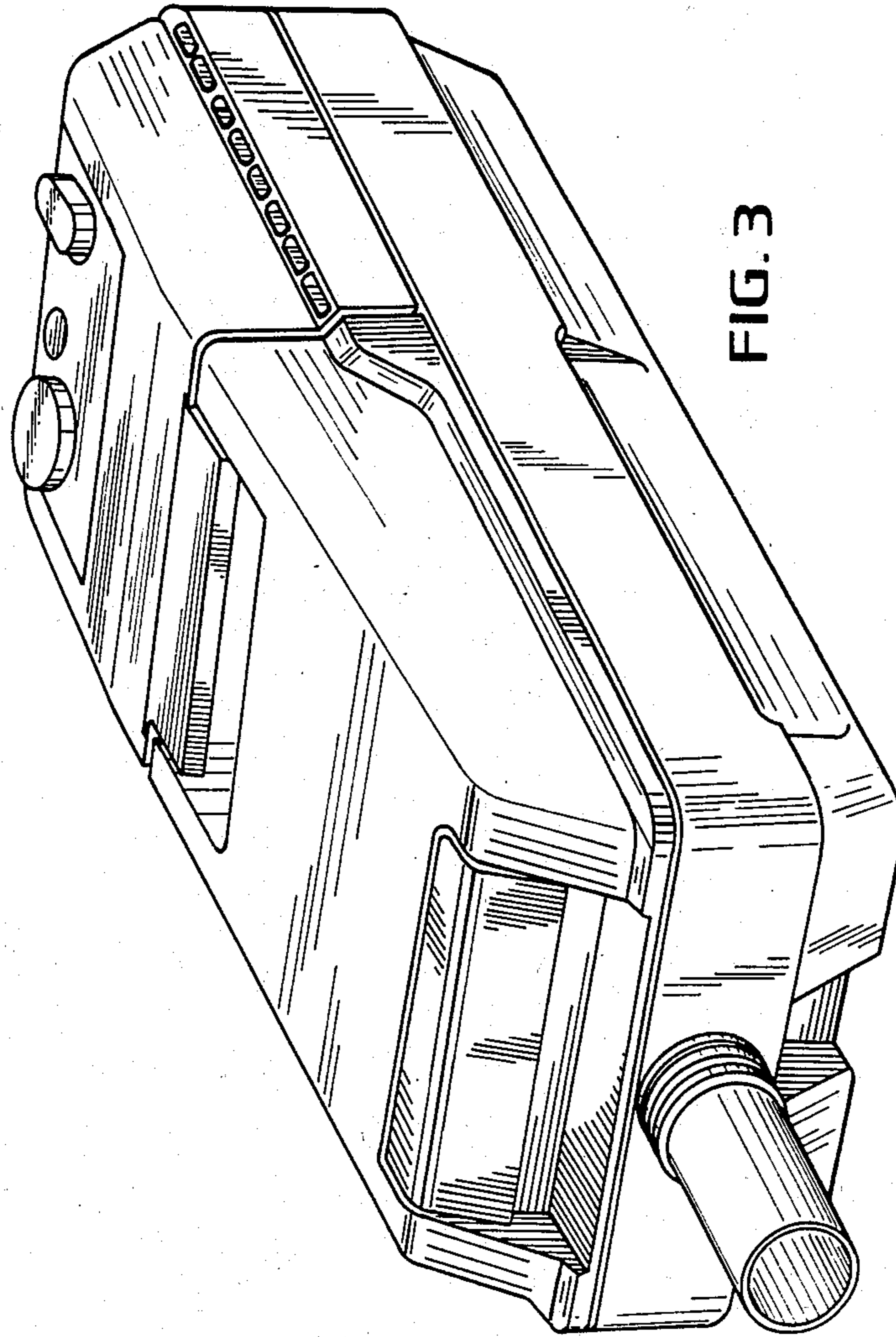


FIG. 3

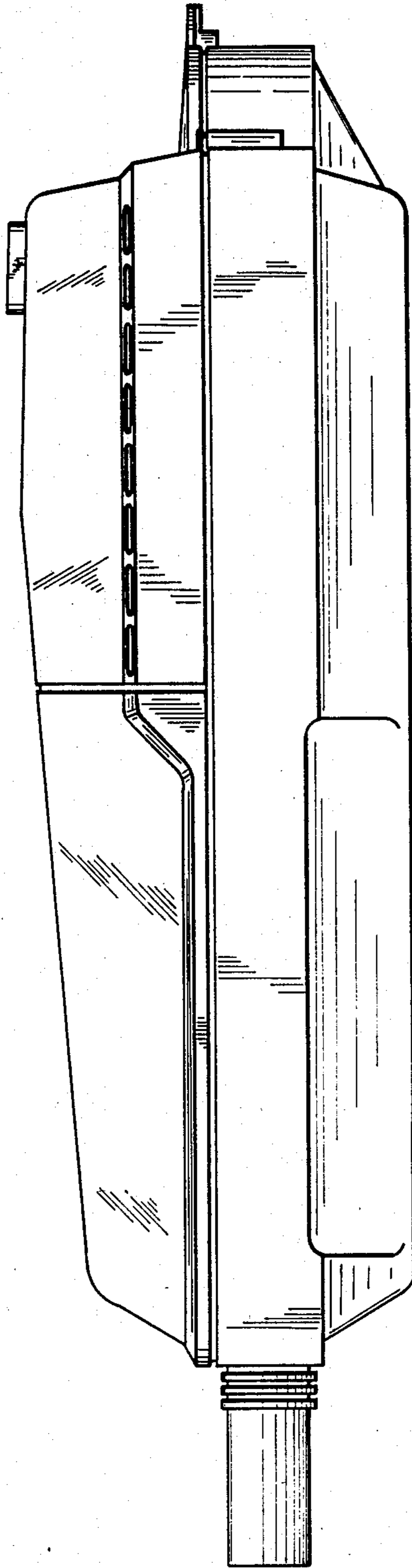


FIG. 4

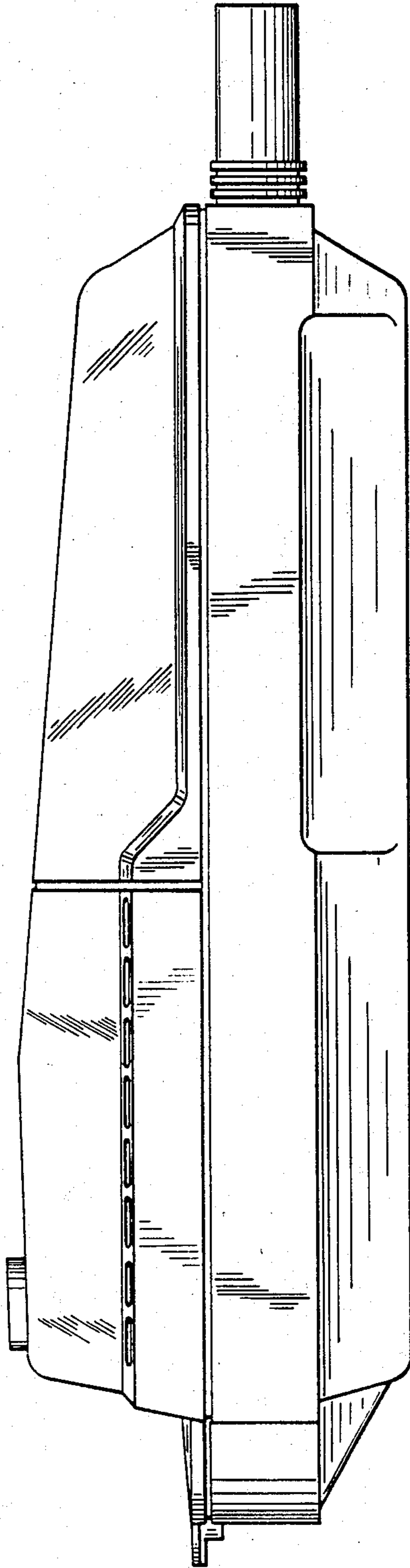


FIG. 5

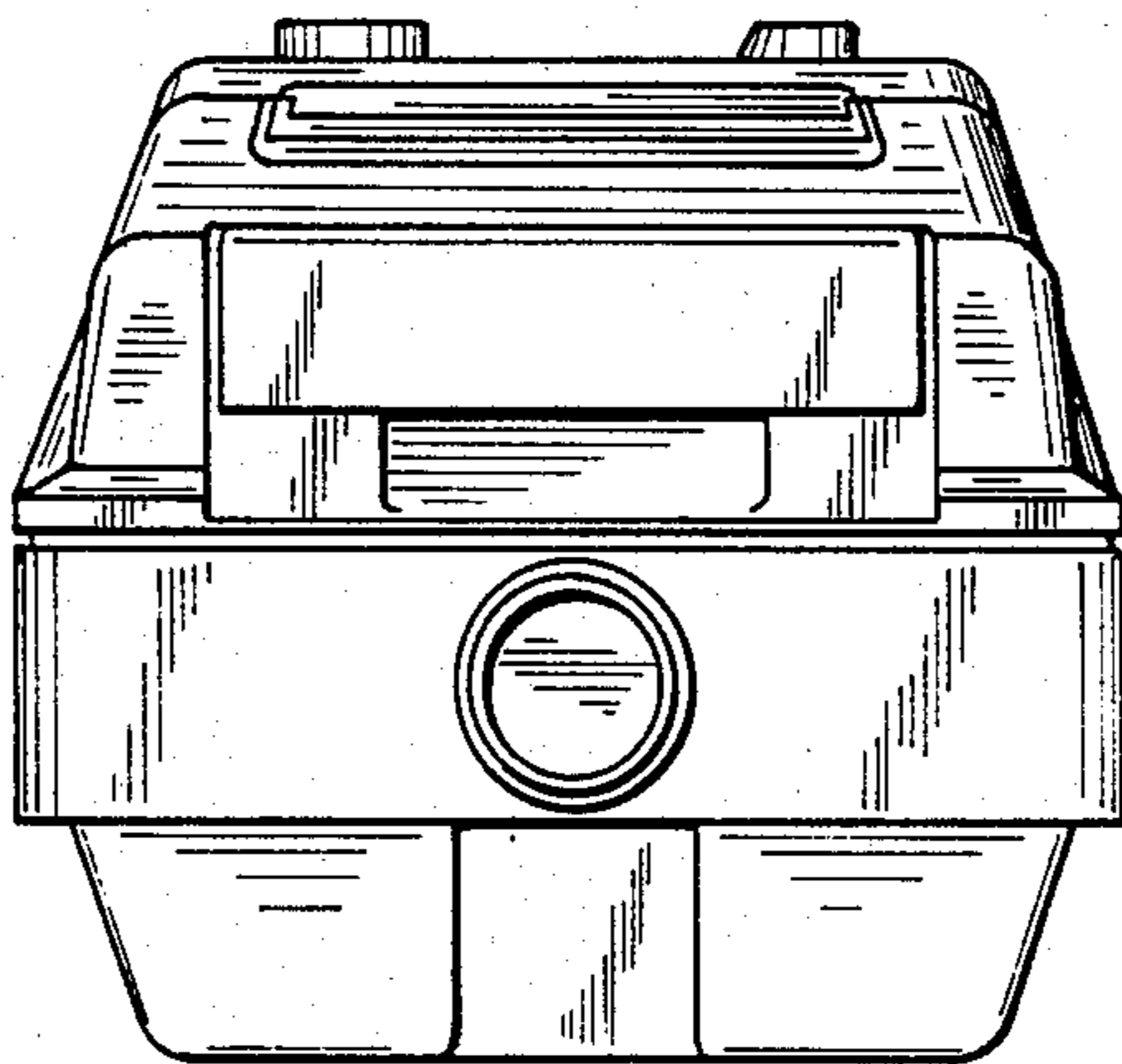


FIG. 6

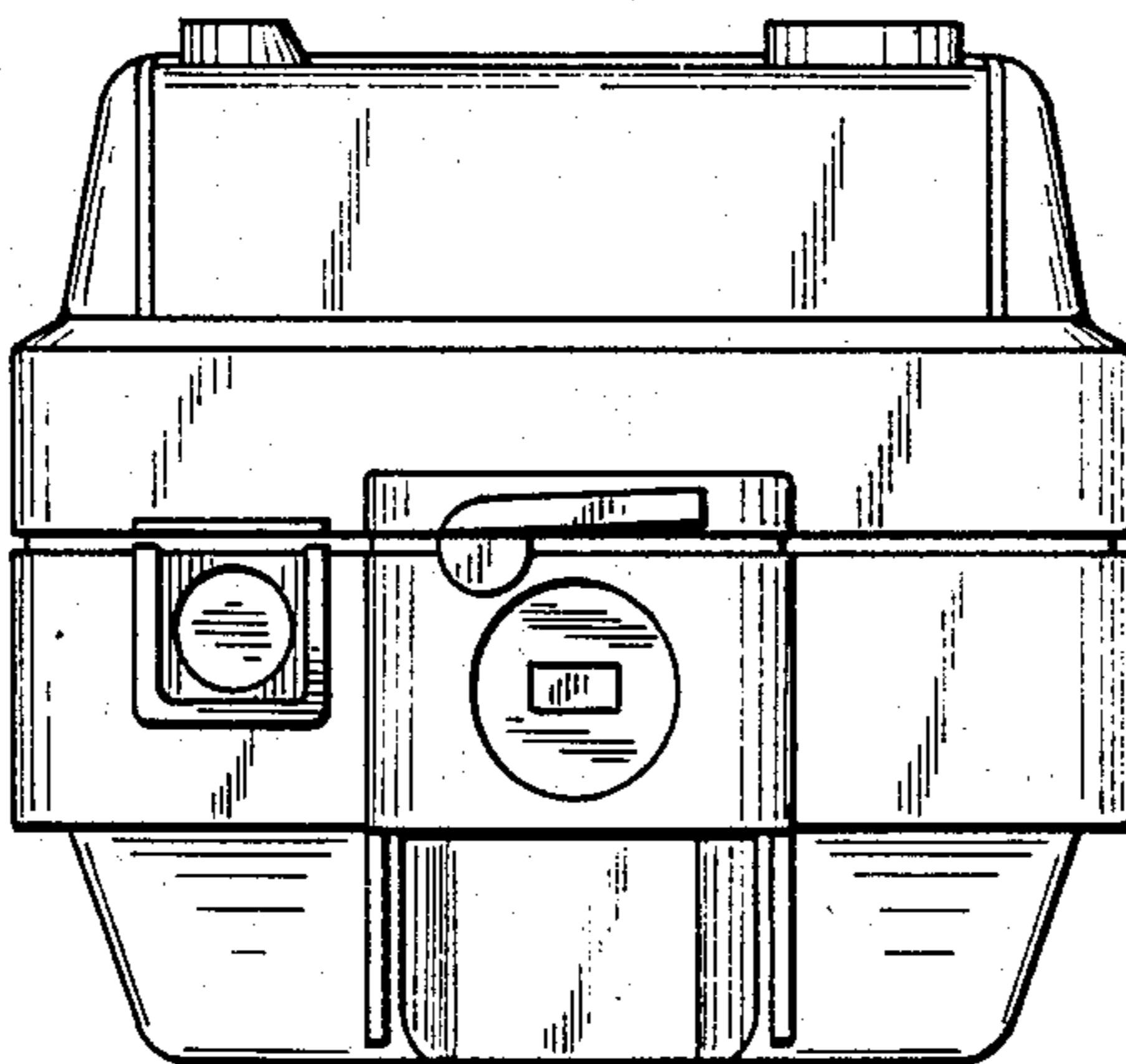


FIG. 7

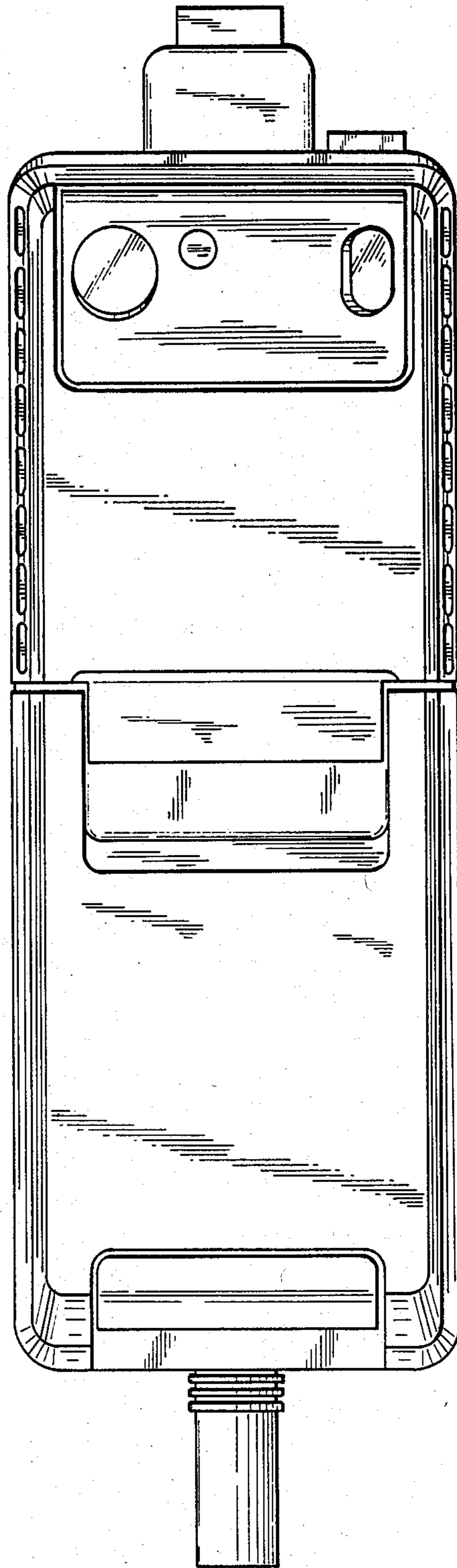


FIG. 8

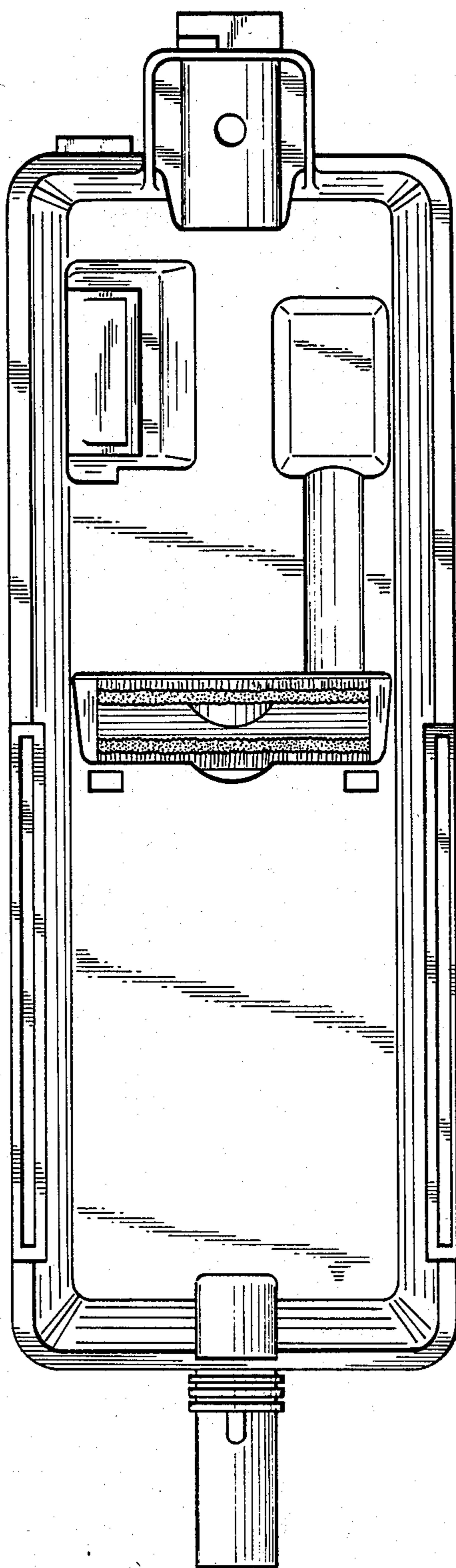


FIG. 9

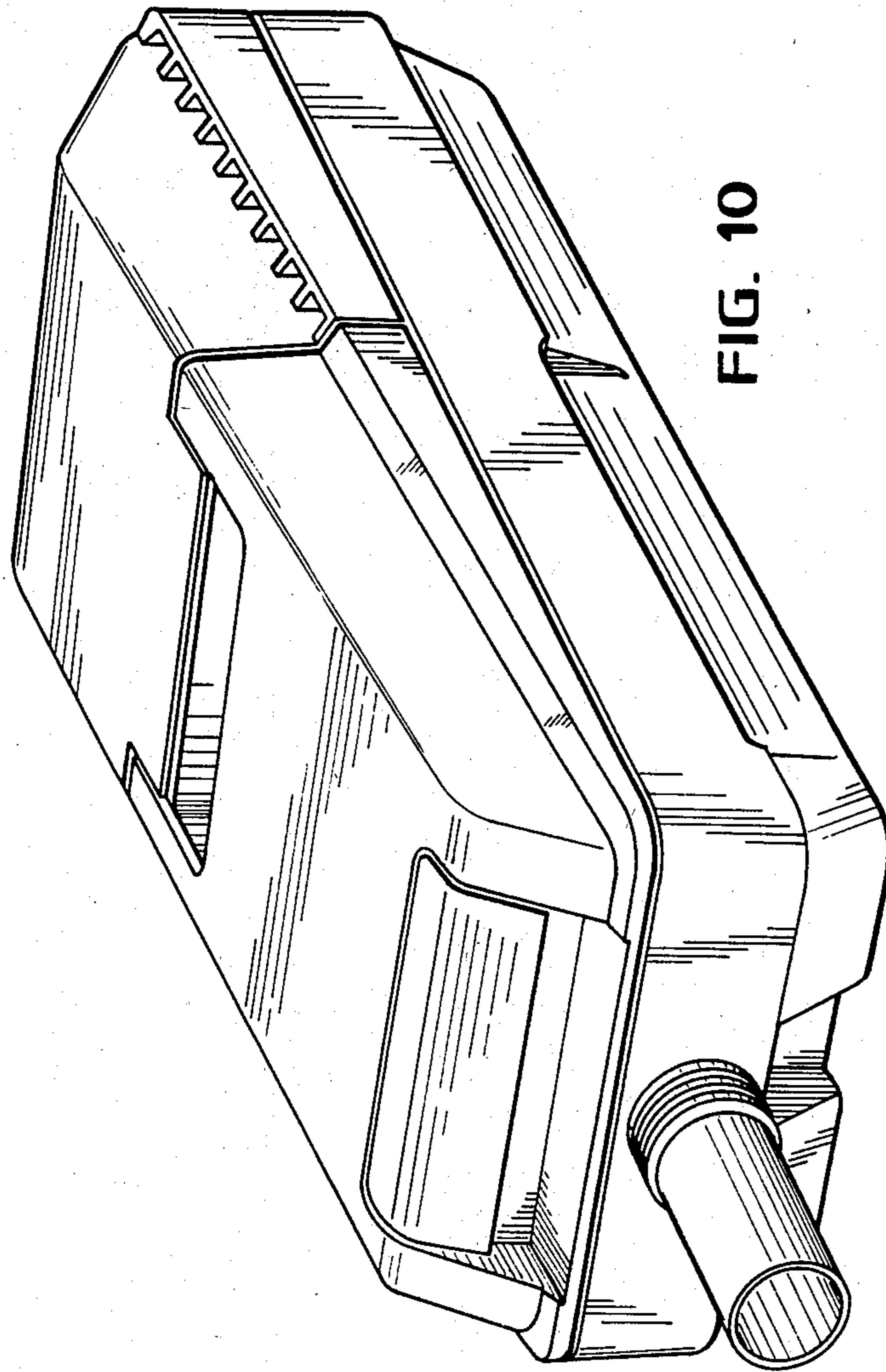


FIG. 10

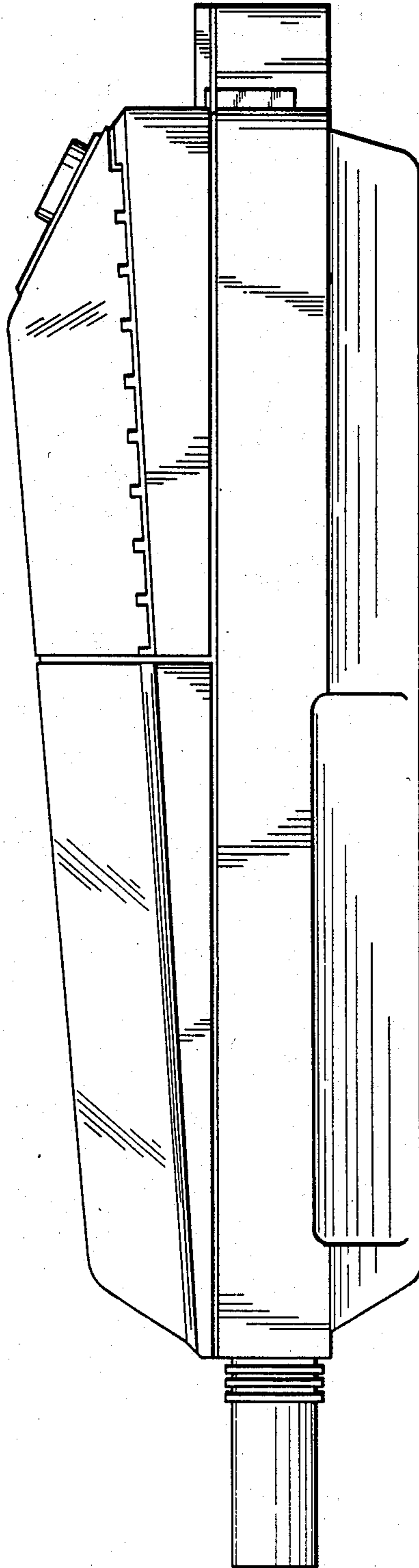


FIG. 11

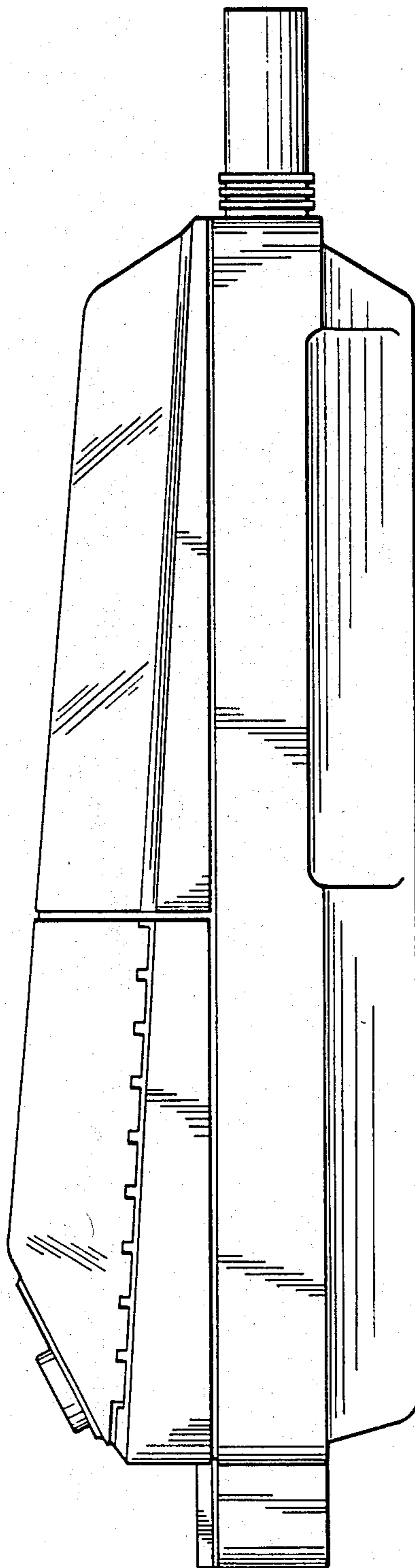


FIG. 12

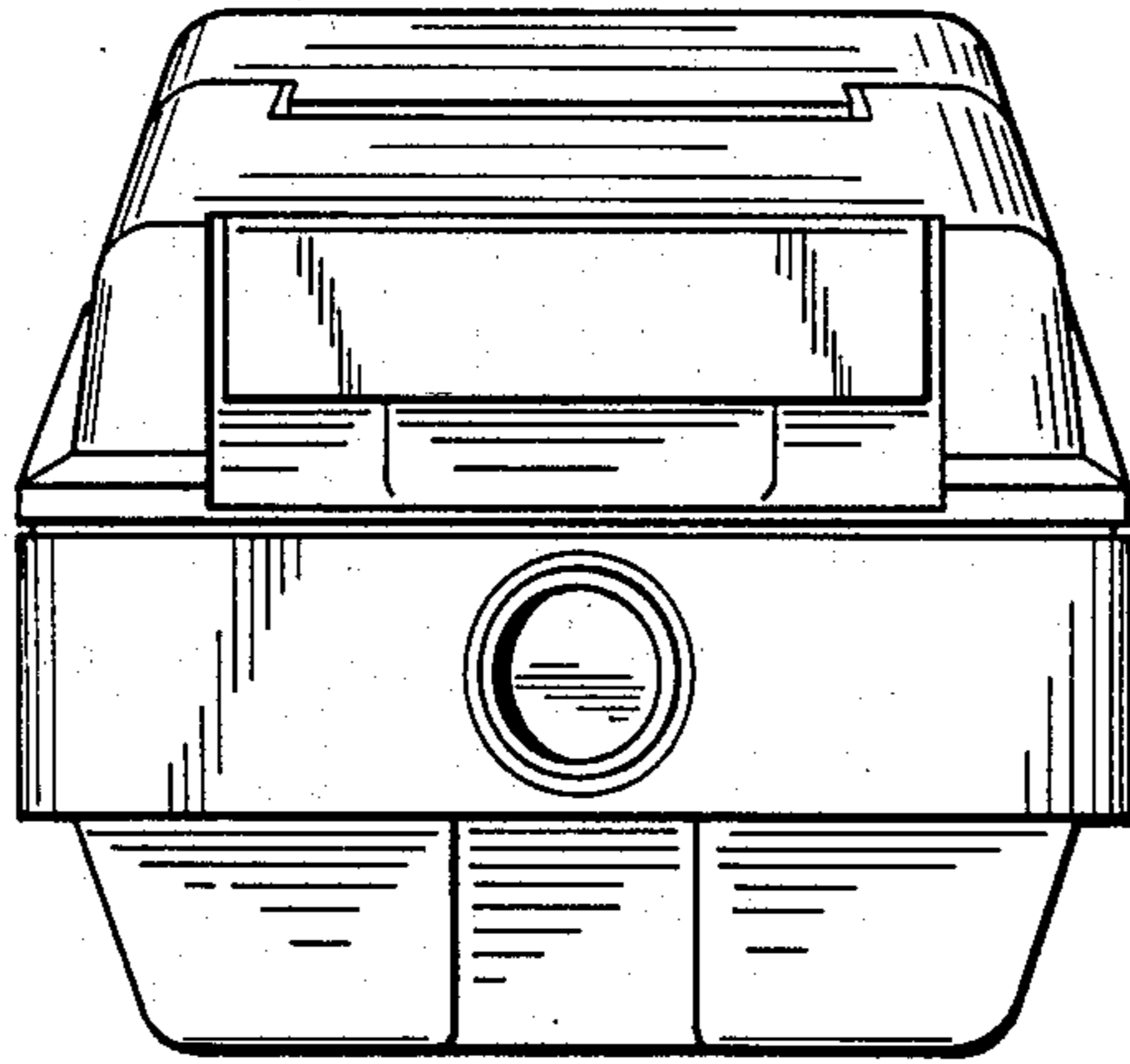


FIG. 13

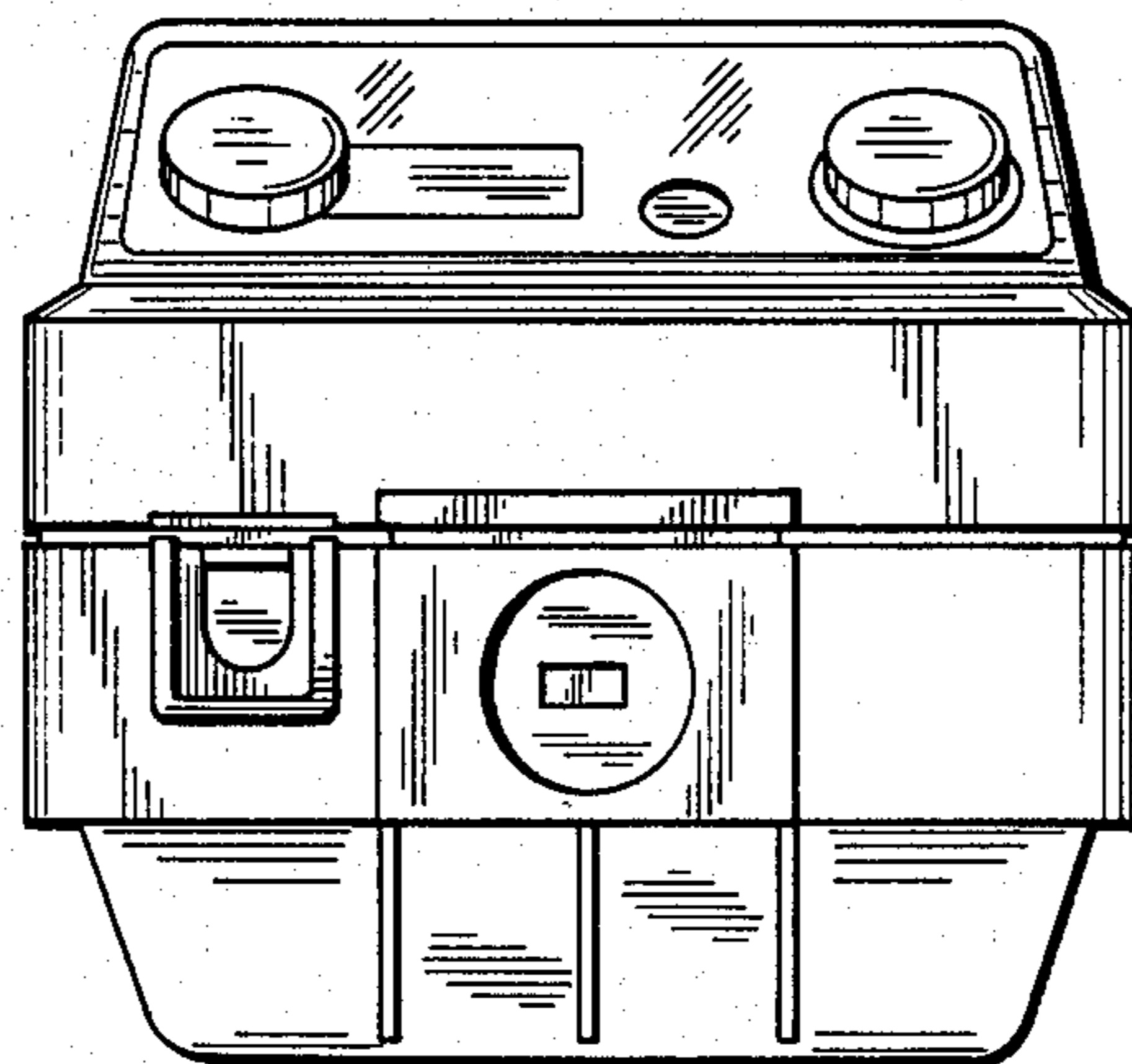


FIG. 14

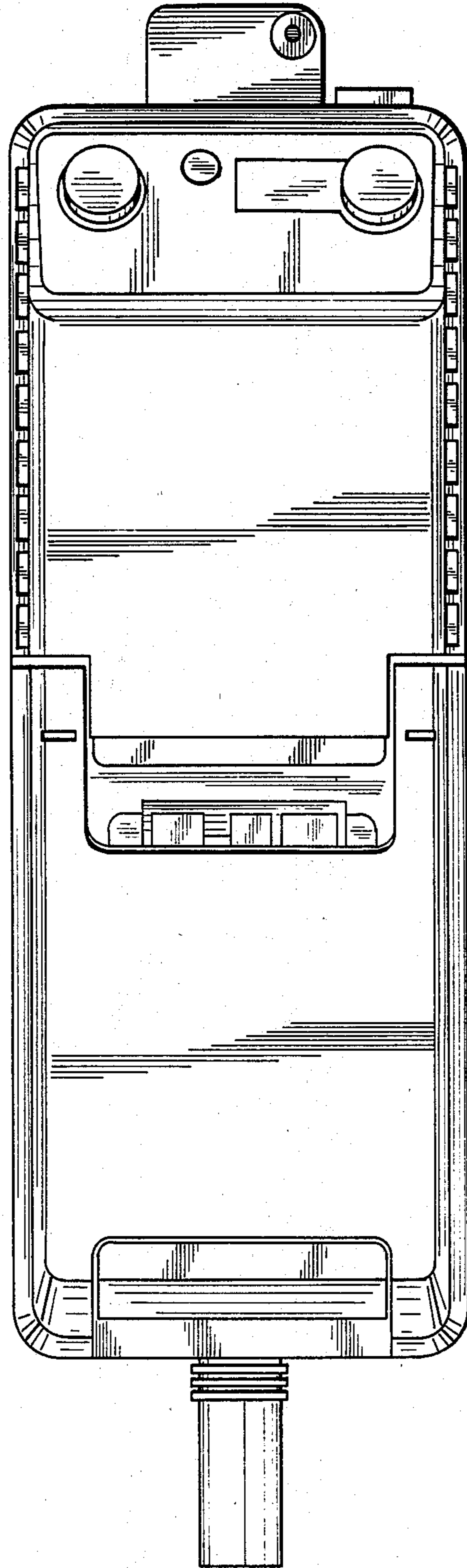


FIG. 15

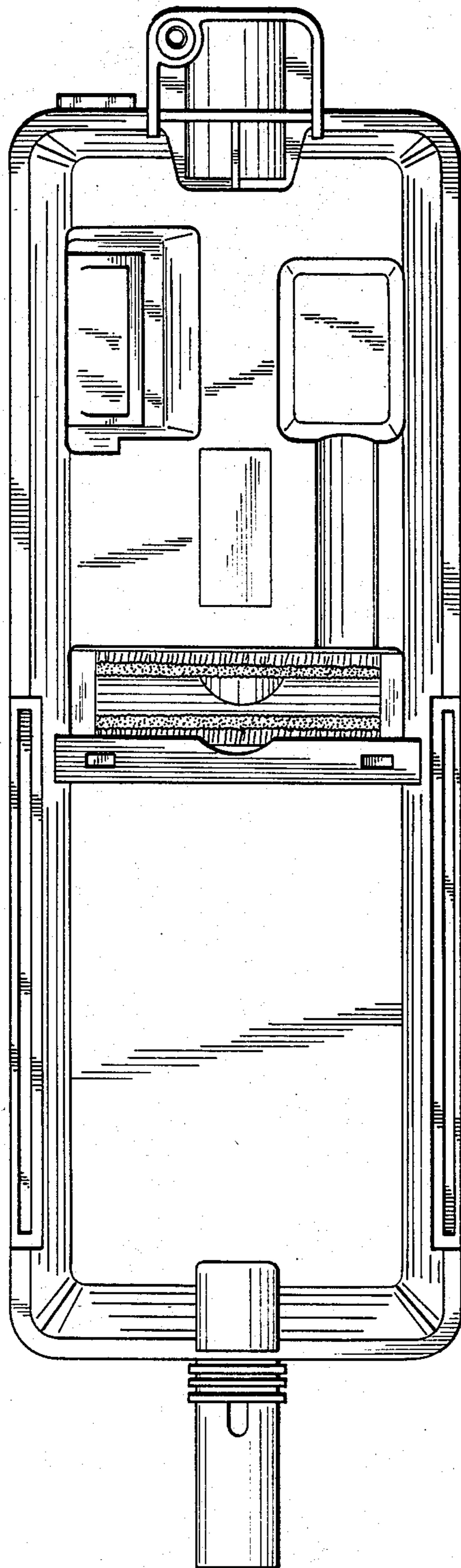


FIG. 16

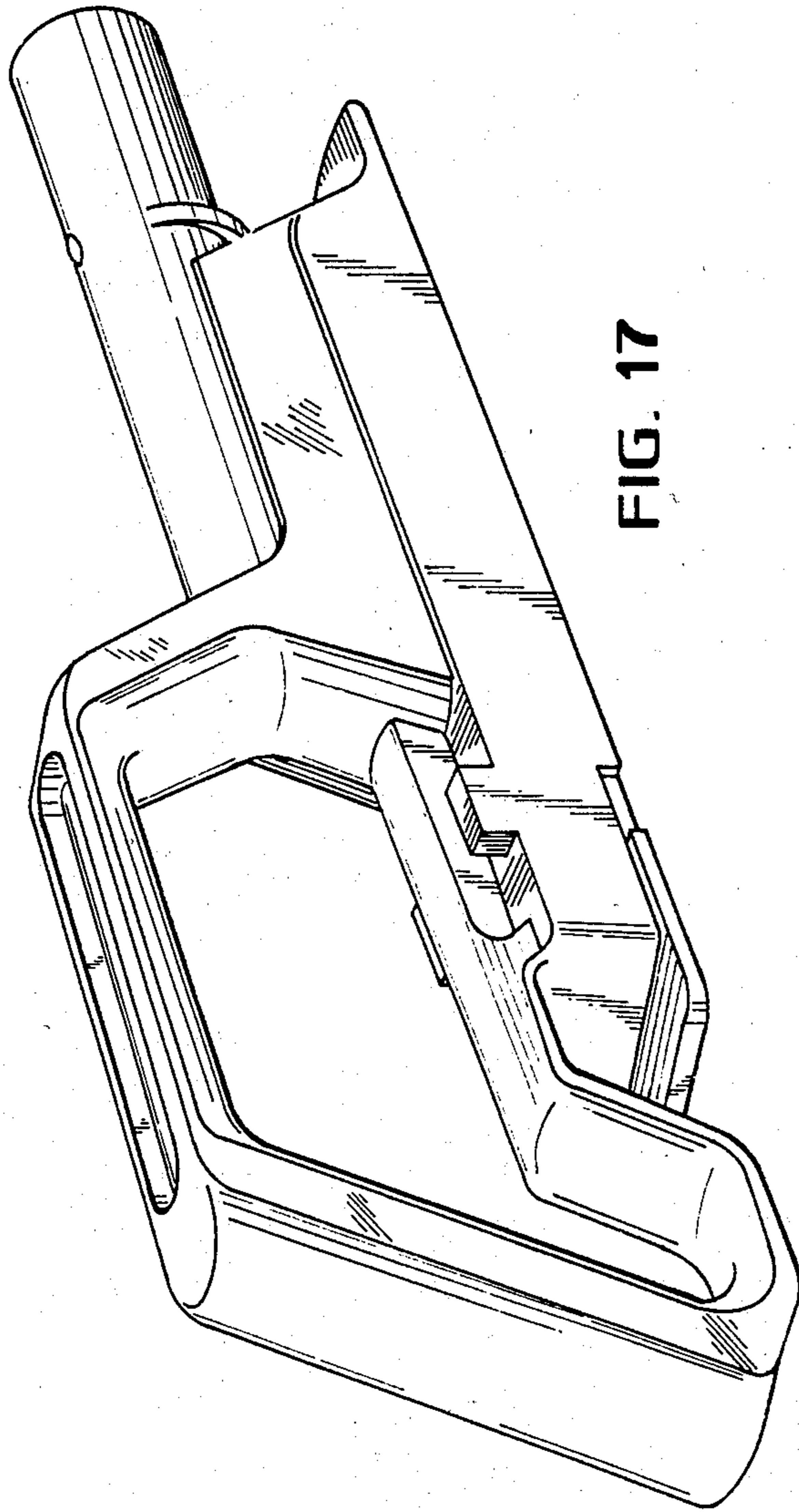


FIG. 17

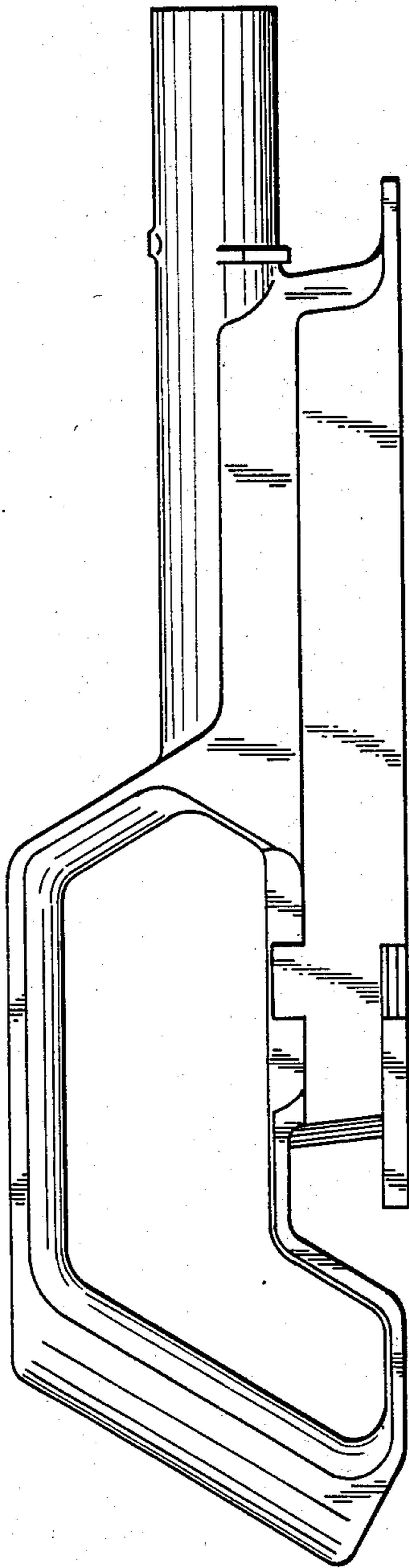


FIG. 18

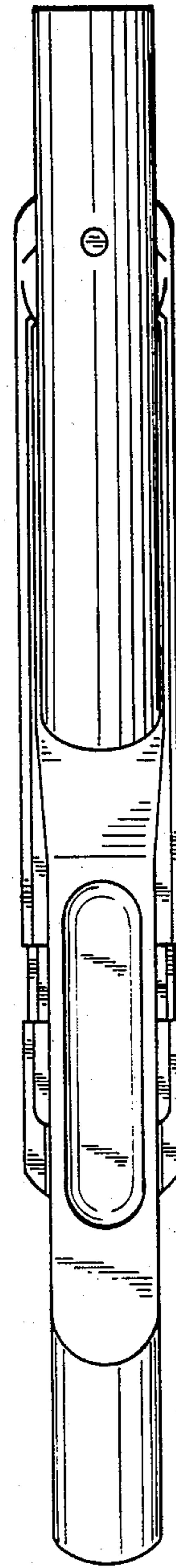


FIG. 19

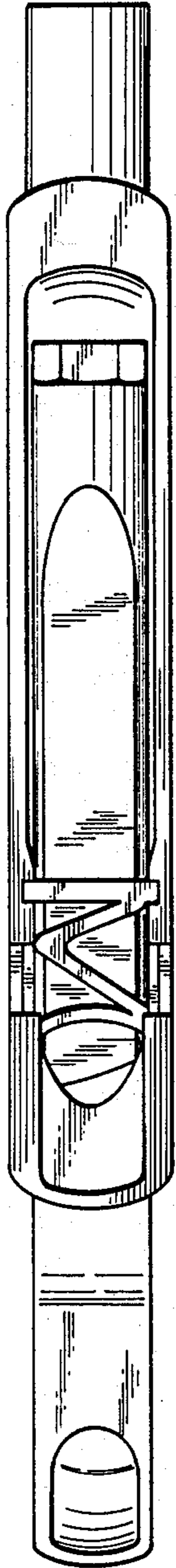


FIG. 20

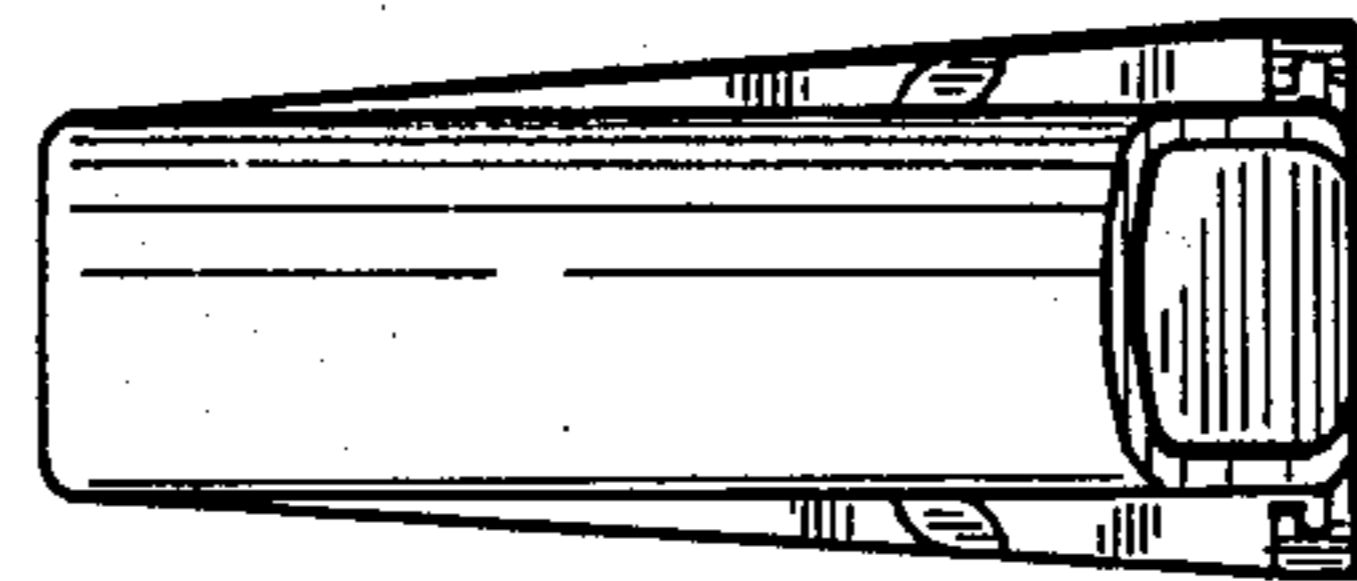


FIG. 21

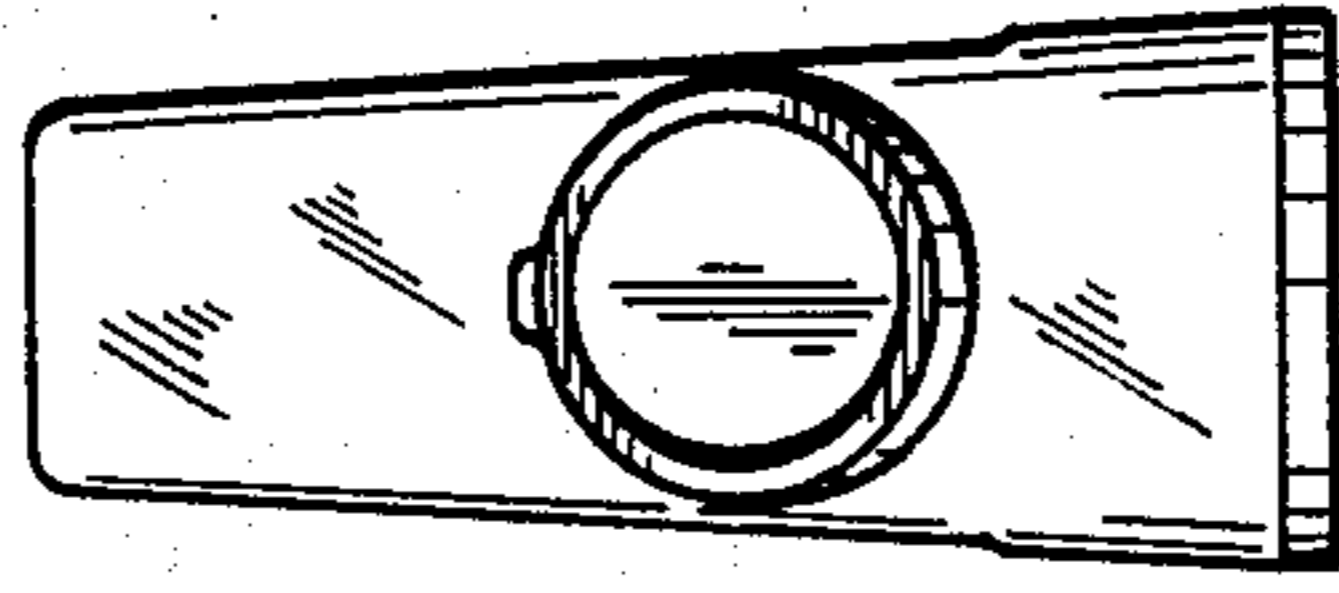


FIG. 22