

United States Patent [19]
Gismondi

[11] **Patent Number: Des. 298,661**
[45] **Date of Patent: ** Nov. 22, 1988**

[54] **WALL LAMP**

[75] **Inventor: Ernesto Gismondi, Milan, Italy**

[73] **Assignee: Artemide S.p.A., Pregnana Milanese, Italy**

[**] **Term: 14 Years**

[21] **Appl. No.: 812,215**

[22] **Filed: Dec. 23, 1985**

[30] **Foreign Application Priority Data**

Jul. 3, 1985 [IT] Italy 22384/85[U]

[52] **U.S. Cl. D26/86**

[58] **Field of Search D26/72-92;
362/404, 405, 408, 432, 307, 311, 362, 406, 319,
325**

[56] **References Cited**

U.S. PATENT DOCUMENTS

D. 114,101	4/1939	Gregg	D26/86
1,596,831	8/1926	Hanna	362/325
1,902,890	3/1933	Pfeiffer	362/325
2,305,214	12/1942	Williams	362/351

Primary Examiner—Susan J. Lucas

Attorney, Agent, or Firm—Guido Modiano; Albert Josif

[57] **CLAIM**

The ornamental design for wall lamp, as shown and described.

DESCRIPTION

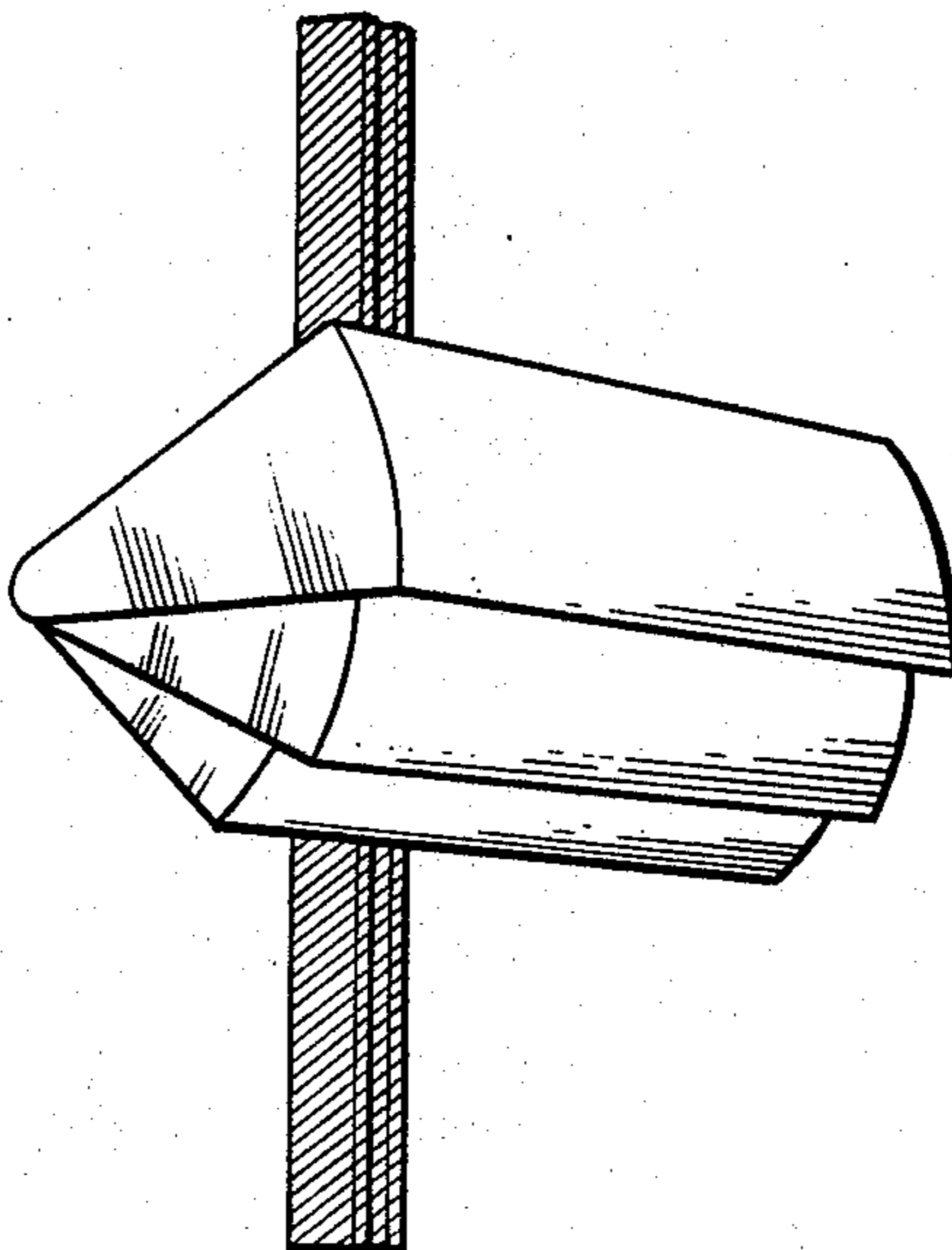
FIG. 1 is a front perspective view of a wall lamp, showing my new design;

FIG. 2 is a side perspective view thereof;

FIG. 3 is a side perspective view thereof with the adjustable reflectors in an alternate position;

FIG. 4 is a top plan view thereof;

FIG. 5 is an elevational view of the side opposite that shown in FIGS. 2 and 3.



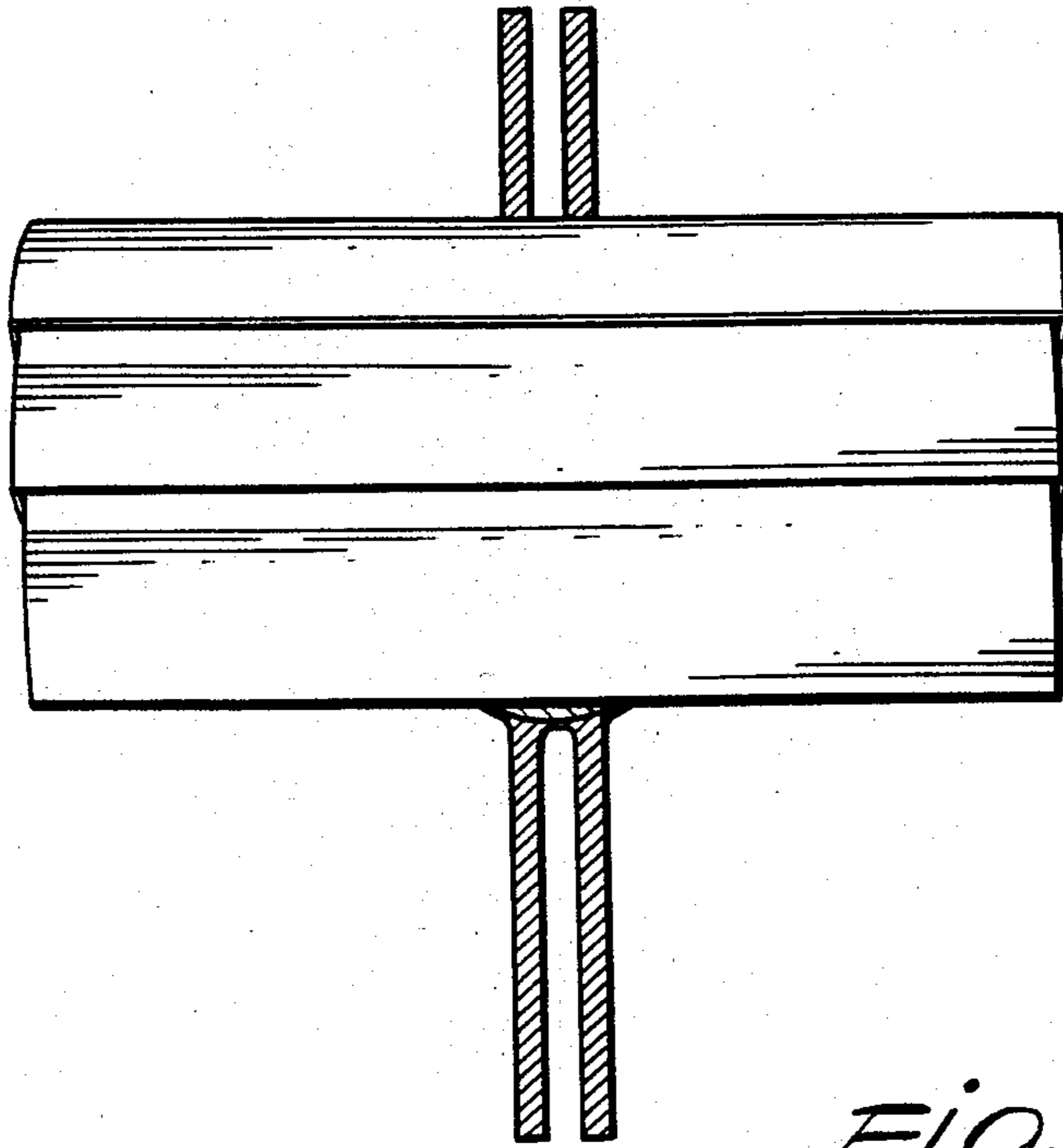


Fig. 1

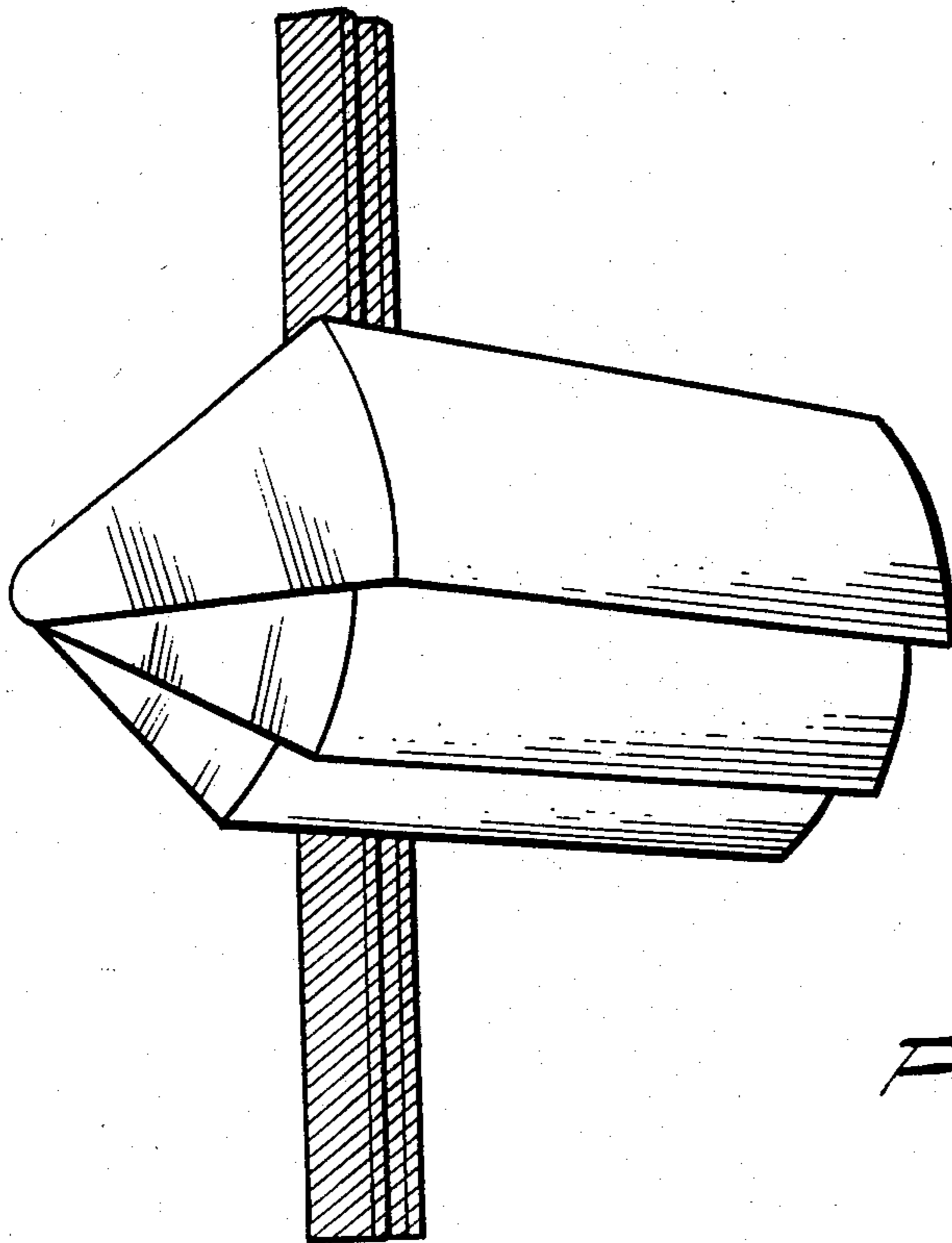


Fig. 2

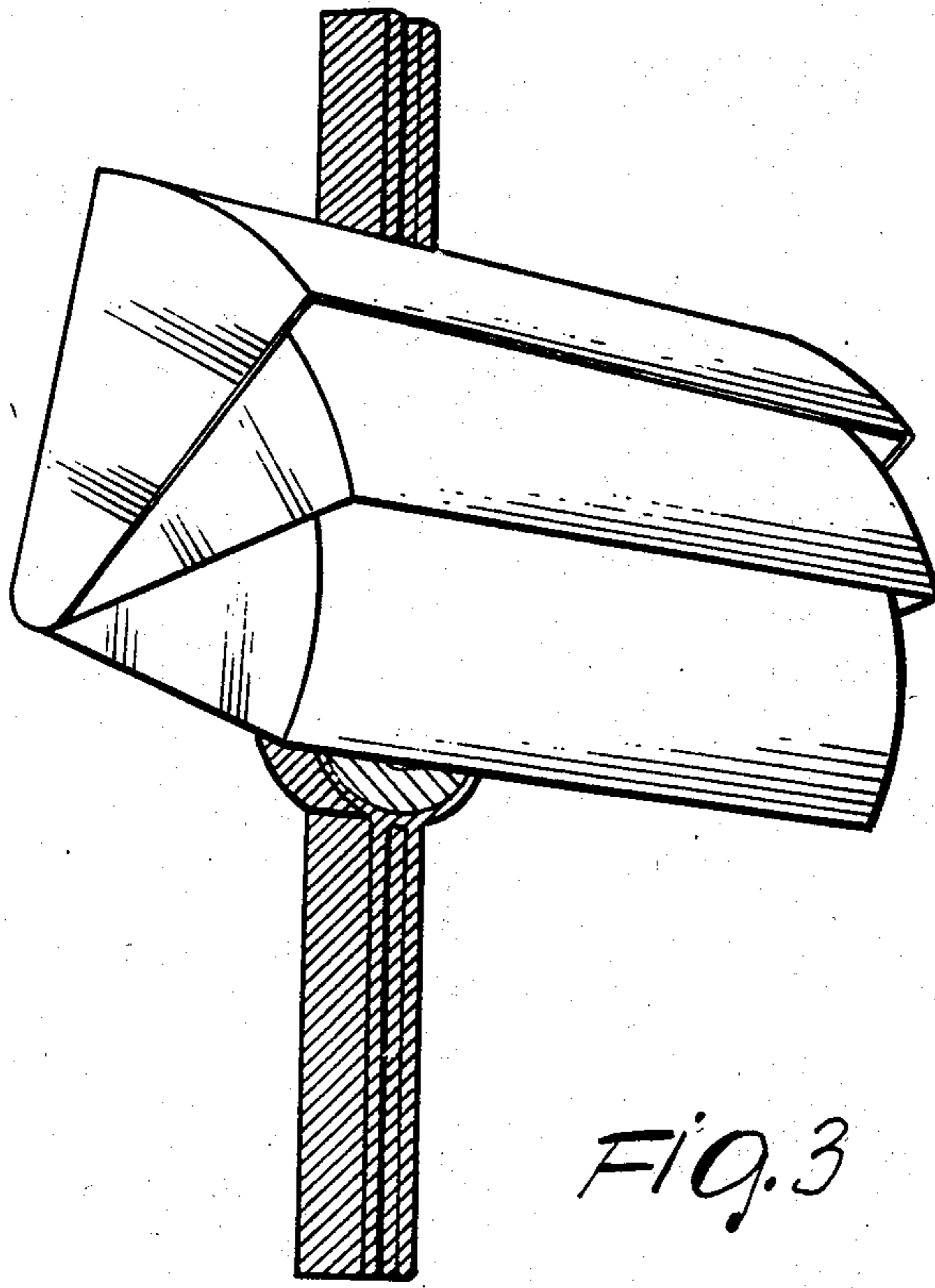


FIG. 3

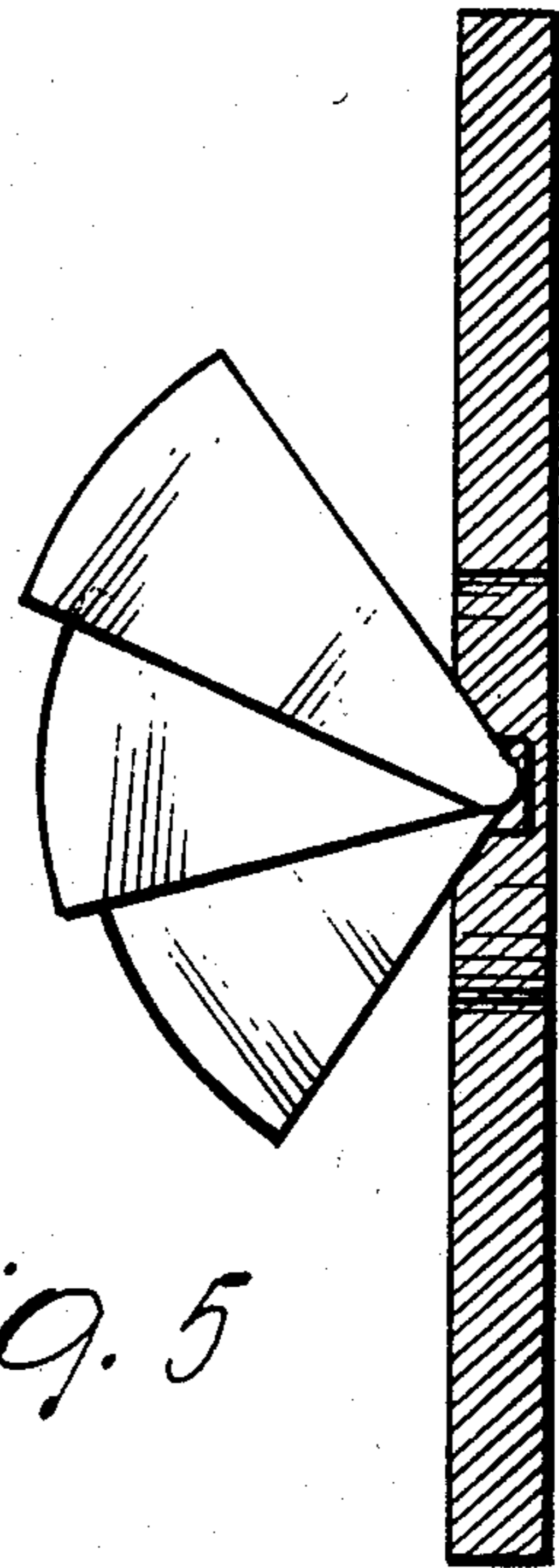


FIG. 5

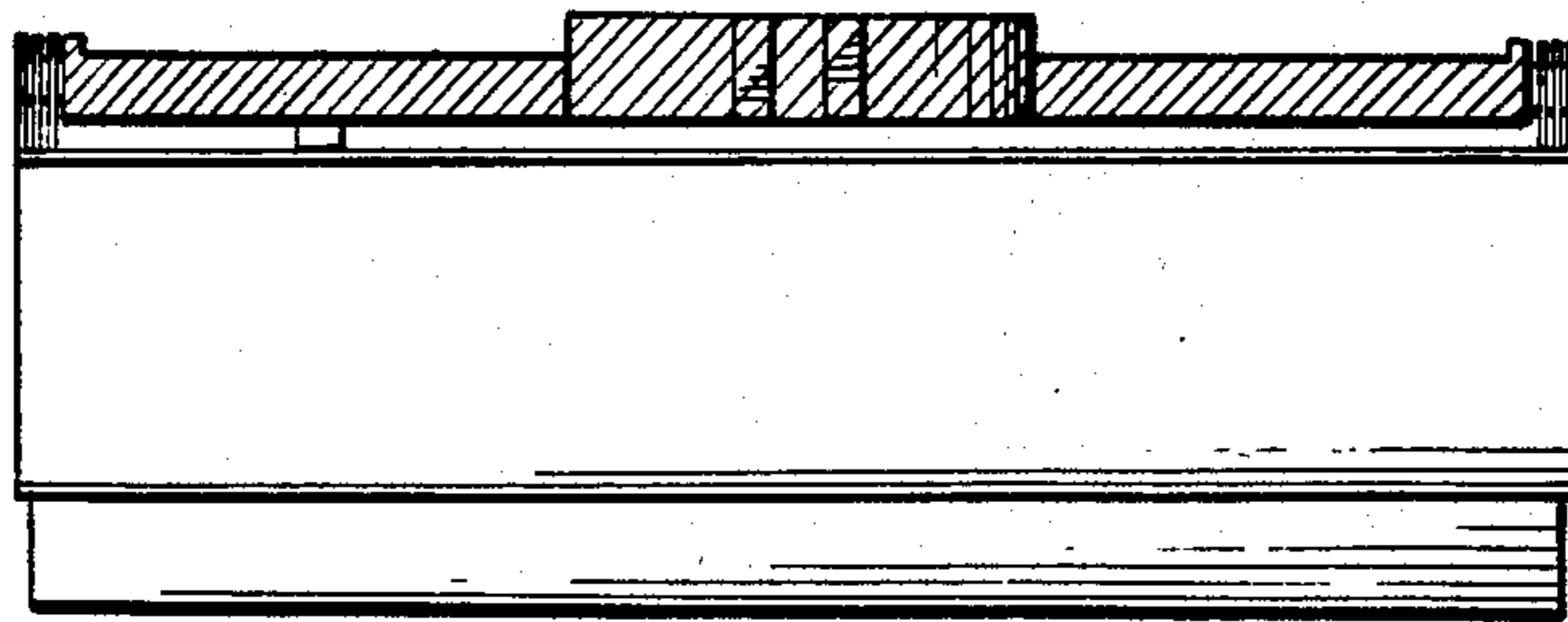


FIG. 4