

United States Patent [19]

Roberts et al.

[11] Patent Number: Des. 298,658

[45] Date of Patent: ** Nov. 22, 1988

[54] PURSE ILLUMINATOR

[75] Inventors: Stephen A. Roberts, 17791 Sky Park Cir., Ste. E, Irvine, Calif. 92714; William H. Howard, Newport Beach, Calif.

[73] Assignee: Stephen A. Roberts, Irvine, Calif.

[**] Term: 14 Years

[21] Appl. No.: 841,350

[22] Filed: Mar. 3, 1986

[52] U.S. Cl. D26/37

[58] Field of Search D26/37-50; 362/157, 158, 183-191, 194-208, 154, 155, 156

[56] References Cited

U.S. PATENT DOCUMENTS

- D. 261,052 9/1981 Henkels D26/46
- D. 267,980 2/1983 Gibstein et al. D26/37
- D. 274,845 7/1984 Stansbury, Jr. et al. D26/46

- 1,552,404 9/1925 Allen D26/38 X
- 2,679,575 5/1954 Haberstump 362/194 X

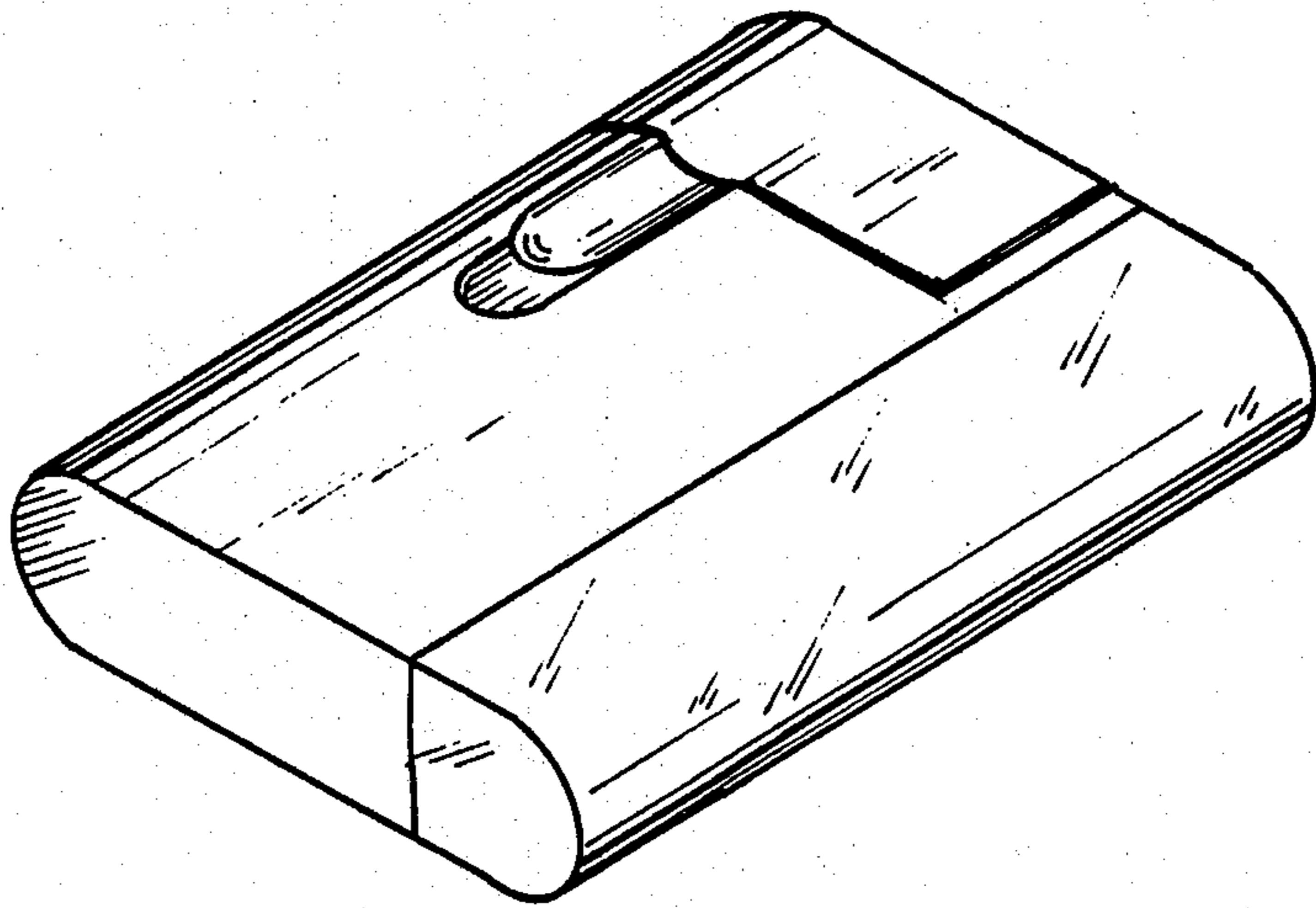
Primary Examiner—Susan J. Lucas
Attorney, Agent, or Firm—Polster, Polster and Lucchesi

[57] CLAIM

The ornamental design for purse illuminator, as shown and described.

DESCRIPTION

FIG. 1 is a top, front perspective view of a purse illuminator showing our new design;
FIG. 2 is a top plan view thereof;
FIG. 3 is a bottom plan view thereof;
FIG. 4 is a front elevational view thereof;
FIG. 5 is an inverted rear elevational view thereof;
FIG. 6 is an inverted side elevational view thereof as seen from the right hand side of FIG. 1;
FIG. 7 is an inverted side elevational view thereof as seen from the left hand side of FIG. 1.
The lens of the illuminator is shaded with oblique lines to indicate translucency.



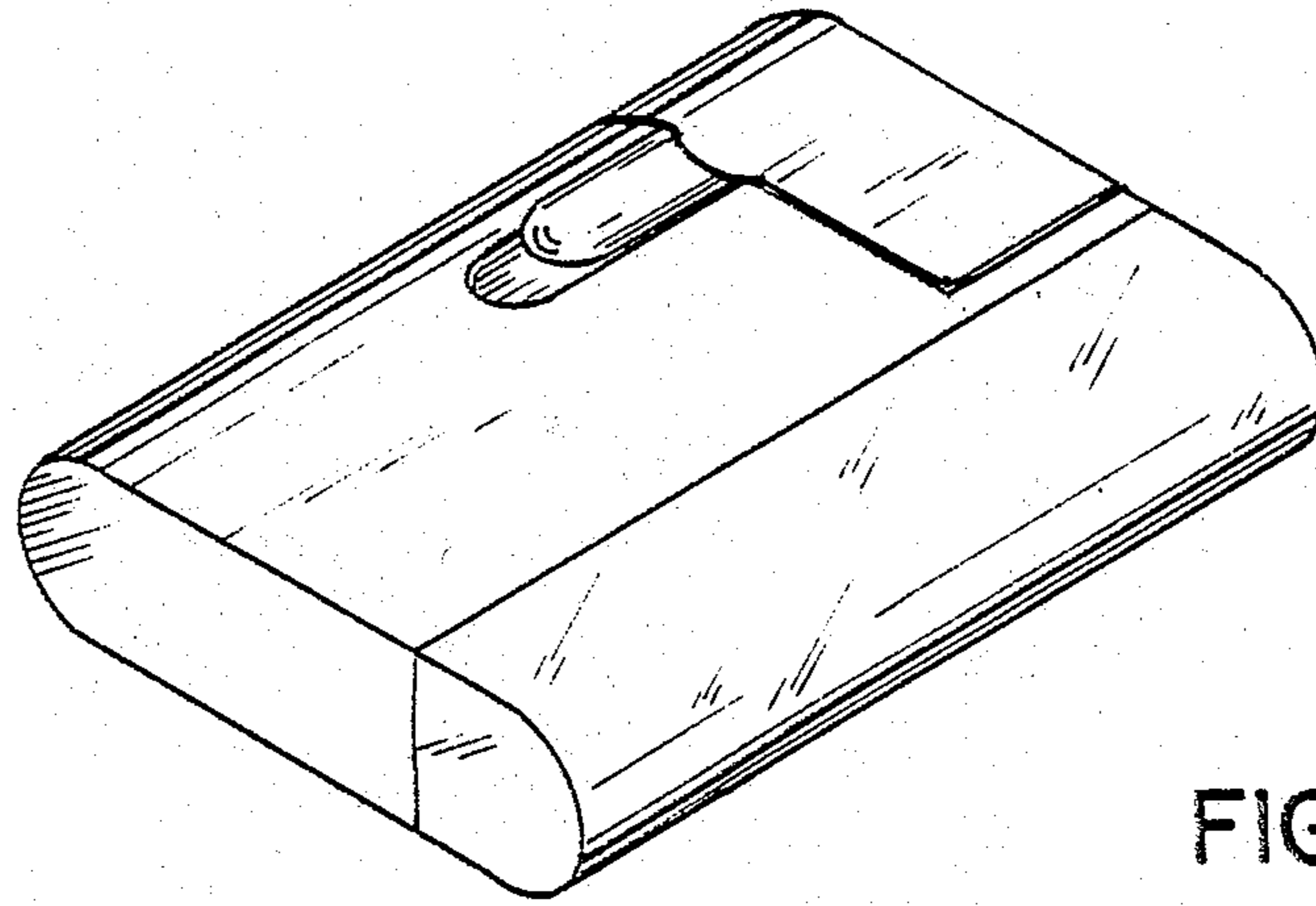


FIG. 1.

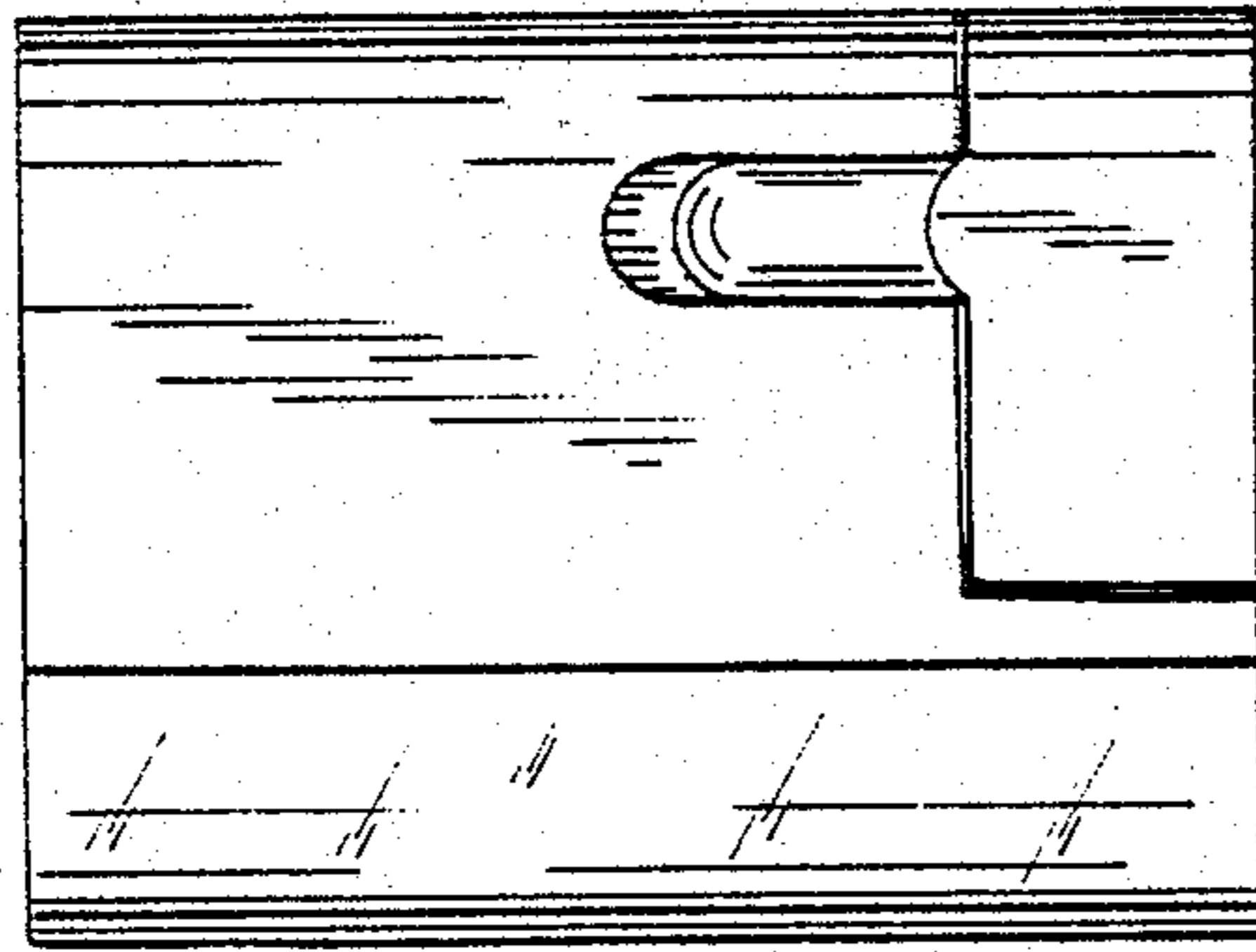


FIG. 2.

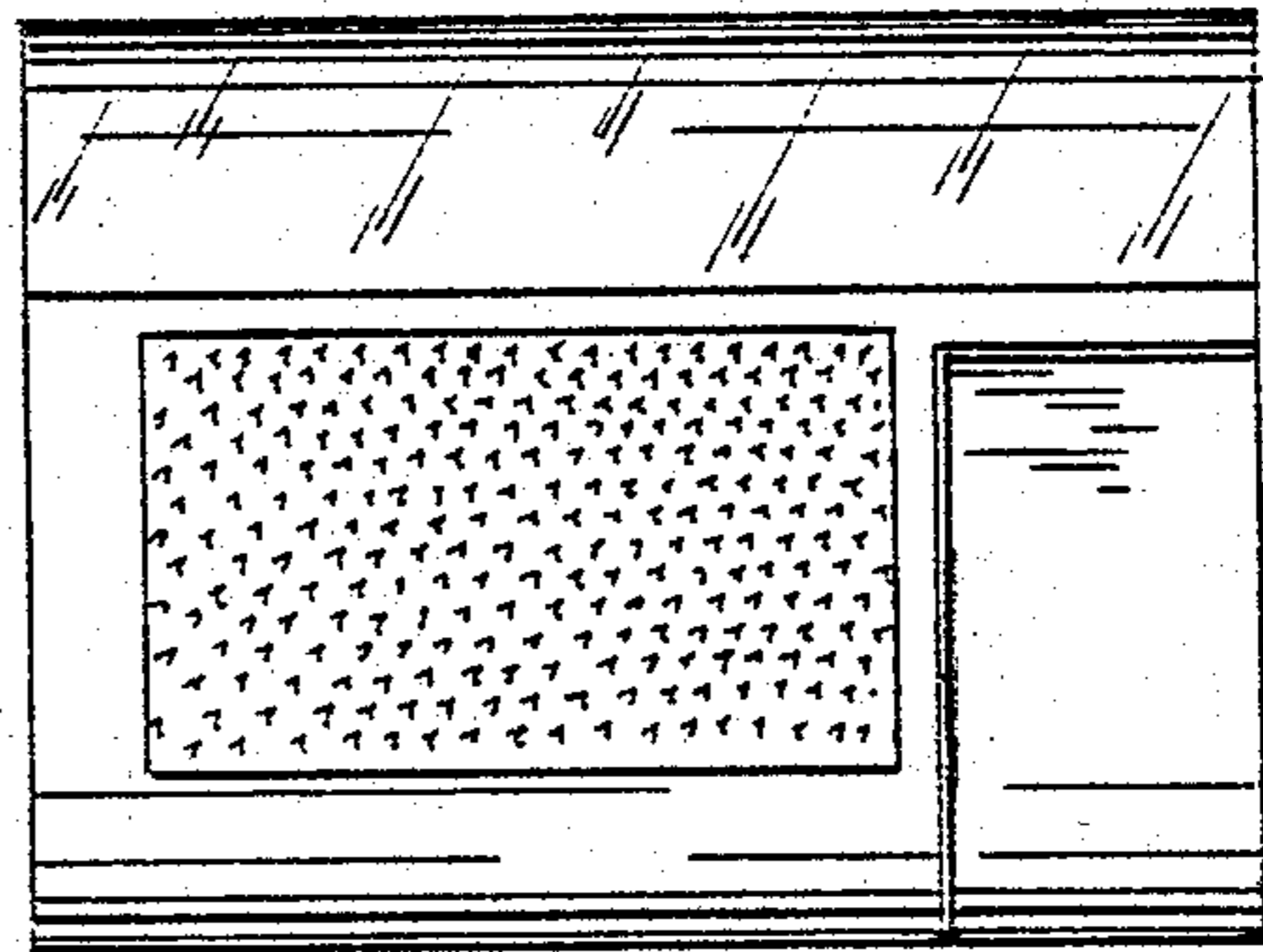


FIG. 3.

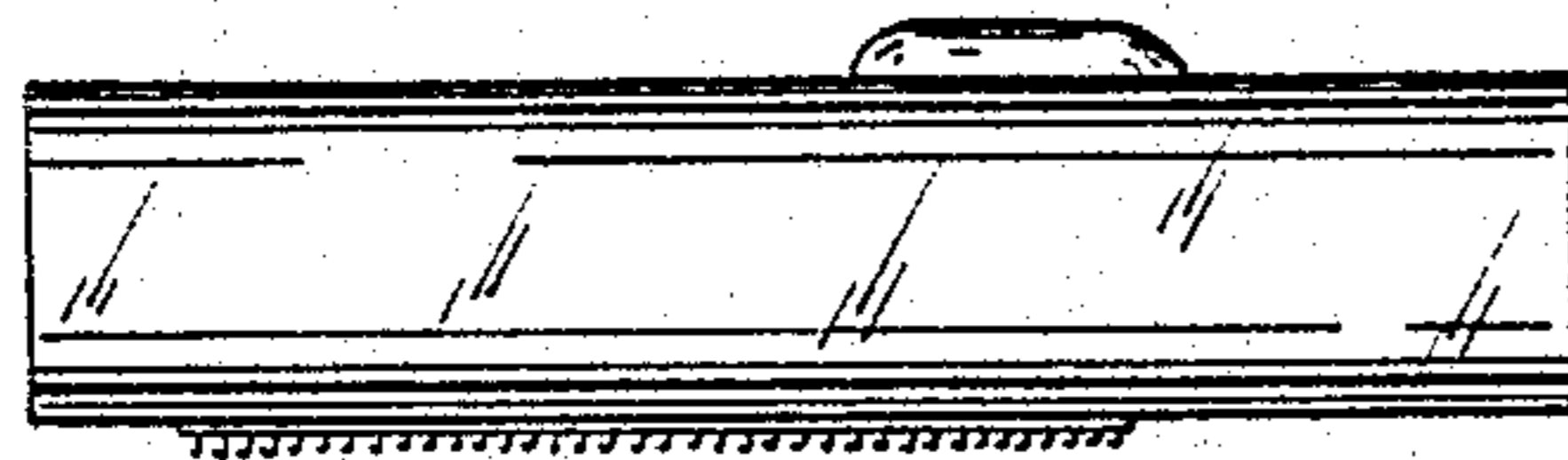


FIG. 4.

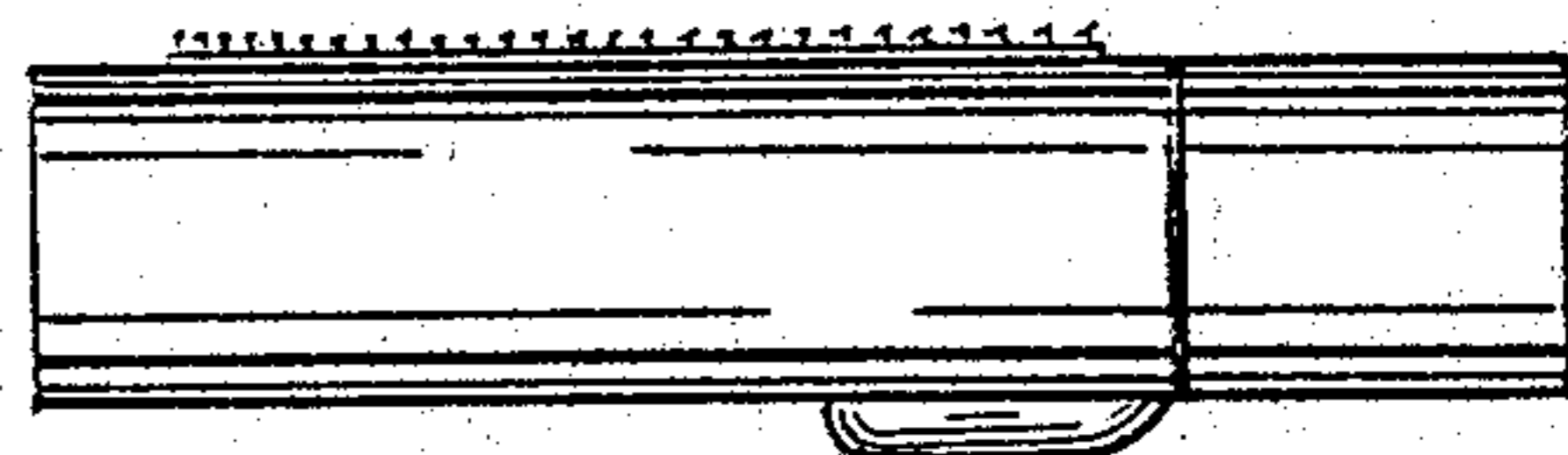


FIG. 5.

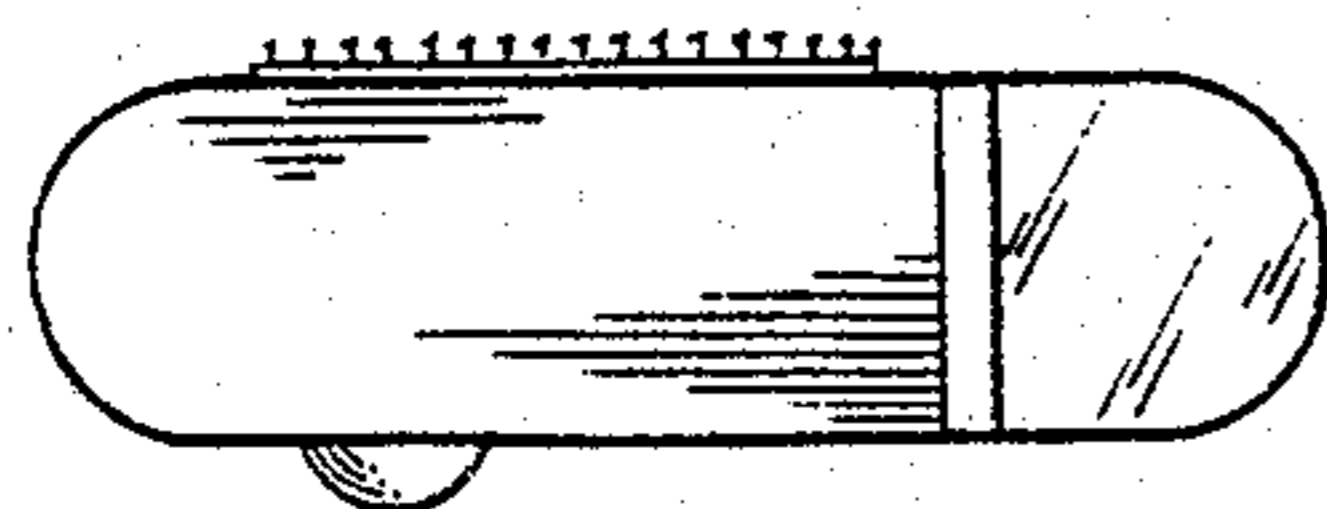


FIG. 6.

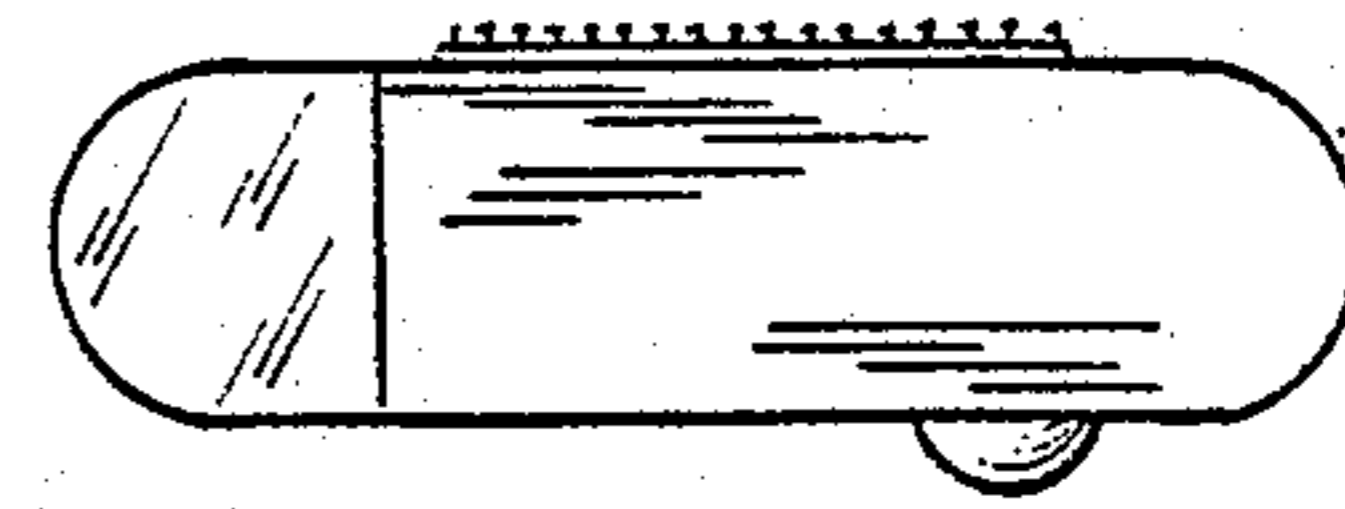


FIG. 7.