

United States Patent [19]

Flores

[11] Patent Number: **Des. 298,657**

[45] Date of Patent: **** Nov. 22, 1988**

[54] **COMBINED DROP LIGHT AND
EXTENSION CORD ATTACHMENT
THEREFOR**

[76] Inventor: **Edward F. Flores, 939 E. Renton St.,
Carson, Calif. 90745**

[**] Term: **14 Years**

[21] Appl. No.: **789,387**

[22] Filed: **Oct. 21, 1985**

[52] U.S. Cl. **D26/37**

[58] Field of Search **D26/37-50;
362/157, 158, 183-208, 258, 376, 377, 378, 396**

[56] **References Cited**

U.S. PATENT DOCUMENTS

D. 244,715 6/1977 Fierro et al. **D26/37**
D. 271,057 10/1983 Tirpik **D26/37**
3,584,213 6/1971 Meltzer **362/378 X**

3,755,668 8/1973 Moreschini **362/396 X**
4,141,062 2/1979 Trueblood **362/186 X**

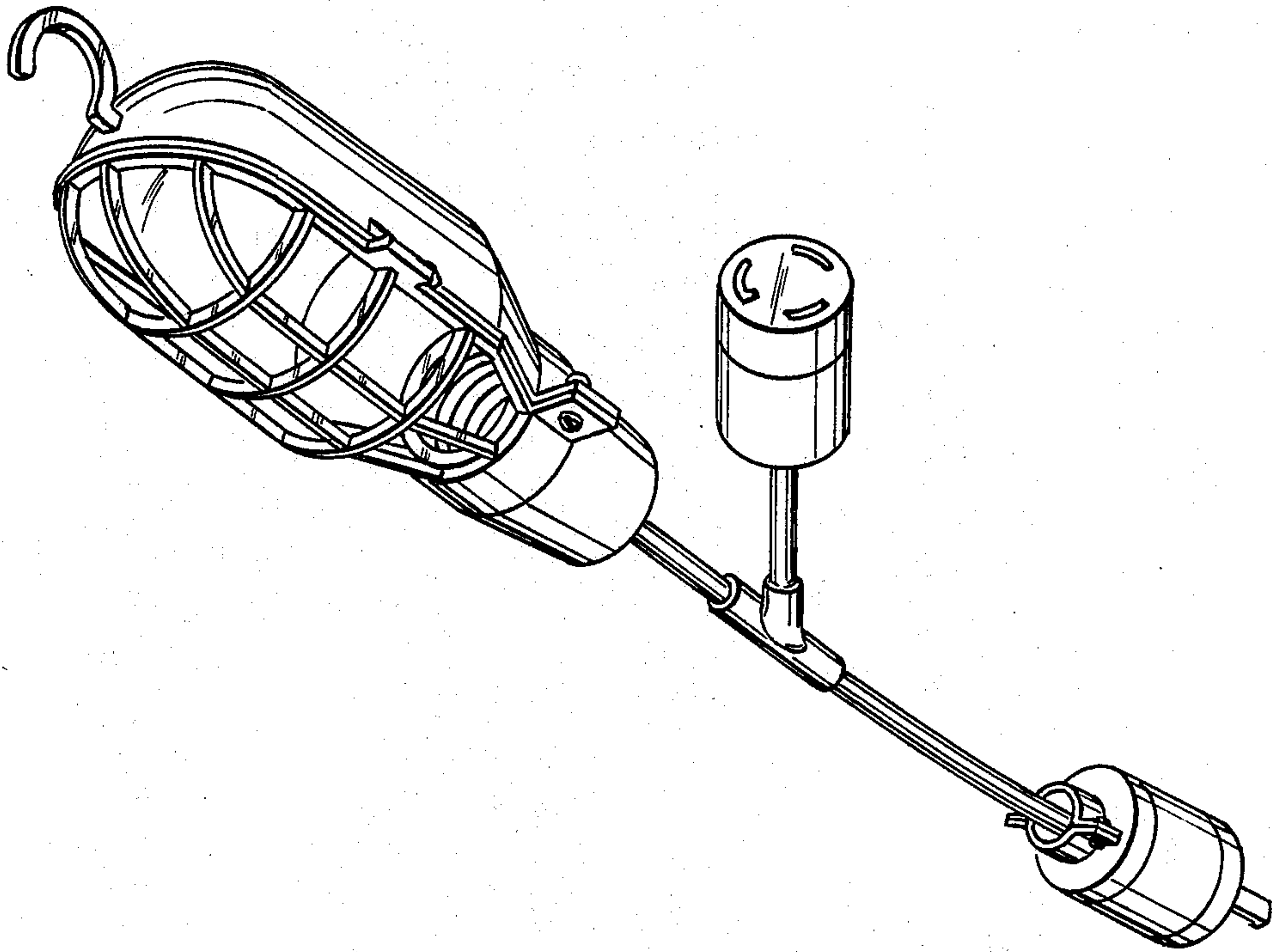
Primary Examiner—Susan J. Lucas
Attorney, Agent, or Firm—Stetina and Brunda

[57] **CLAIM**

The ornamental design for combined drop light and extension cord attachment therefor, as shown and described.

DESCRIPTION

FIG. 1 is a bottom, rear perspective view of the combined drop light and extension cord attachment therefor showing my new design;
FIG. 2 is a top, front perspective view thereof;
FIG. 3 is a front elevational view thereof;
FIG. 4 is a side elevational view thereof as seen from the side opposite that shown in FIGS. 1 and 2; and
FIG. 5 is a top plan view thereof.



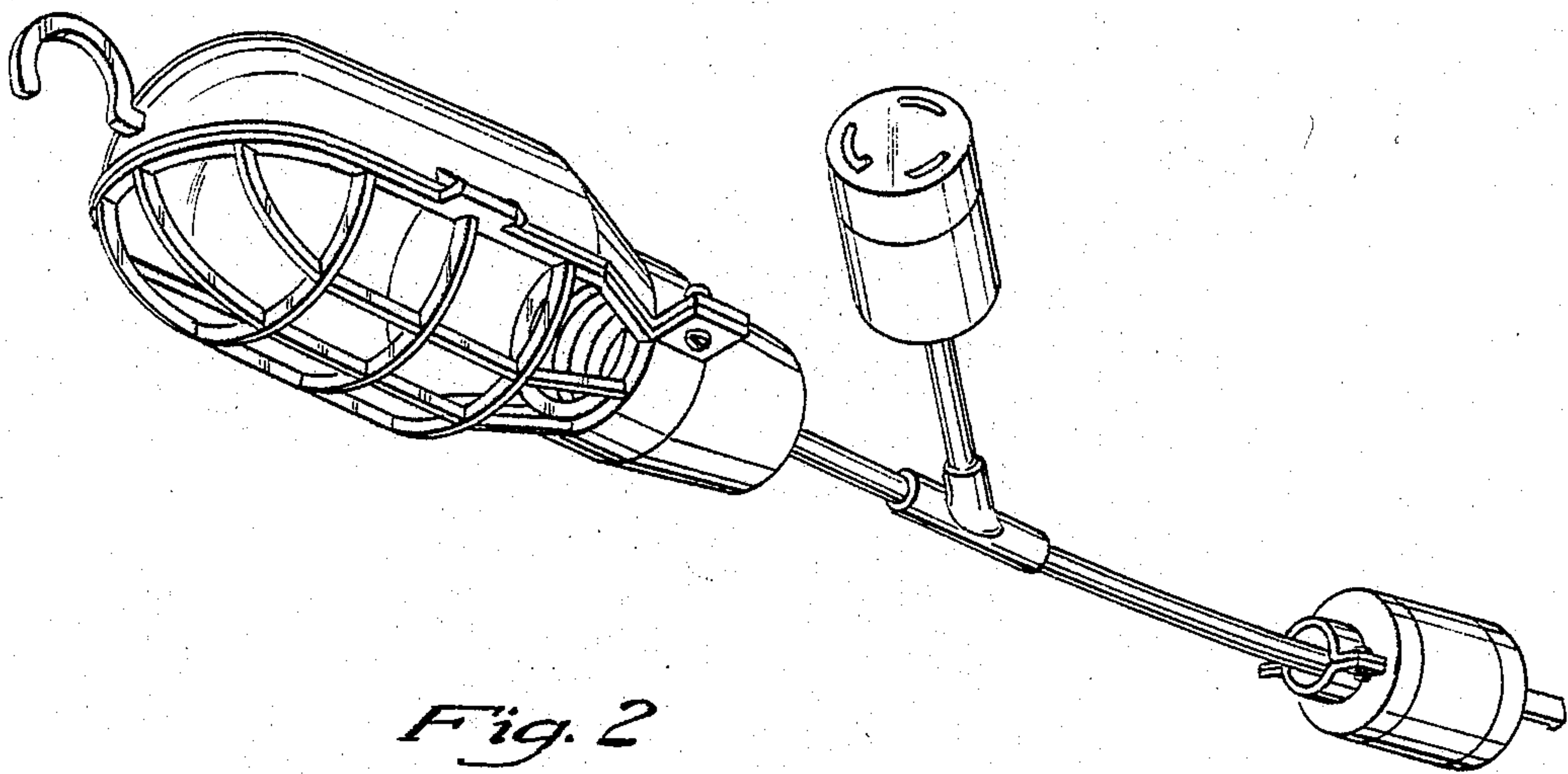
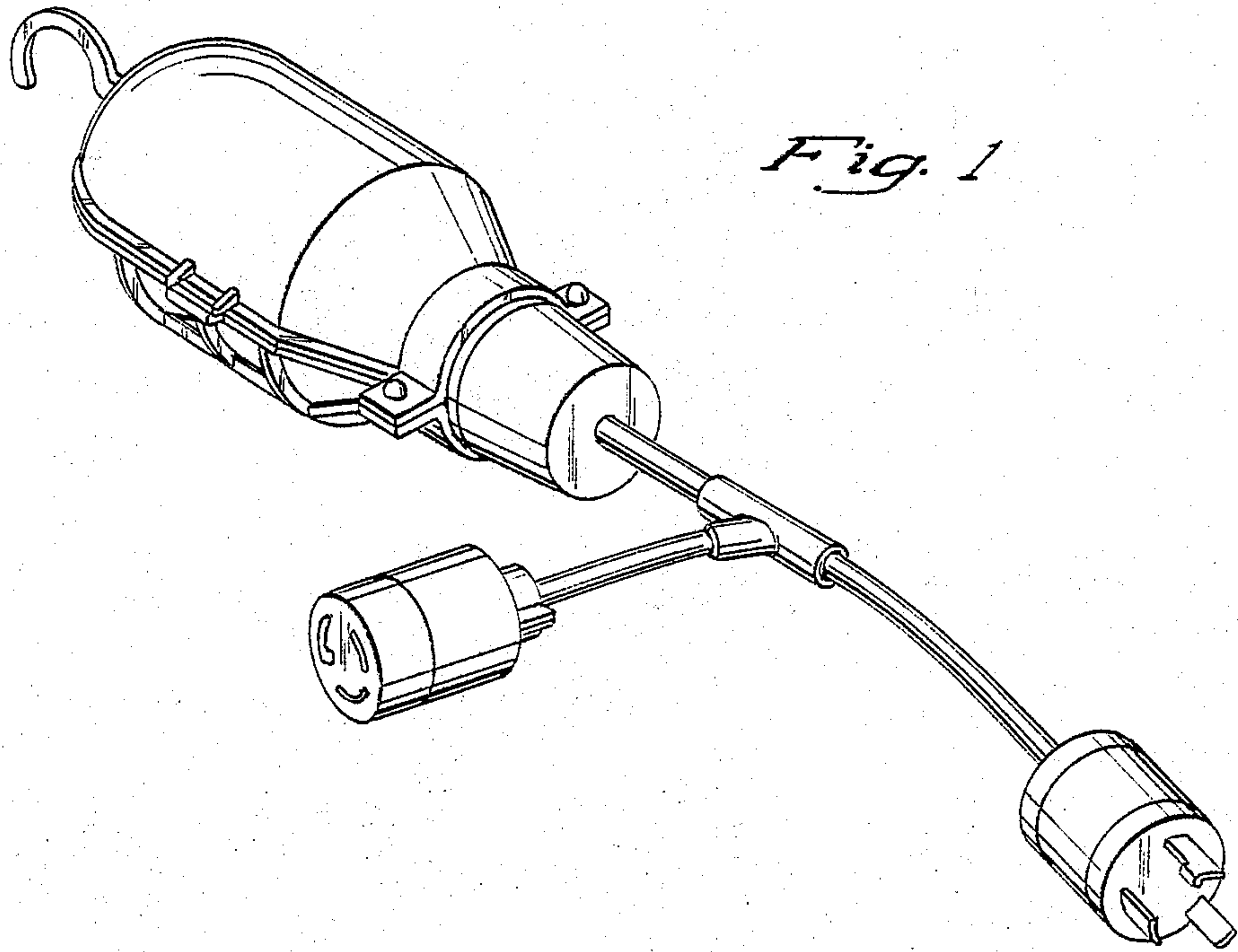


Fig. 3

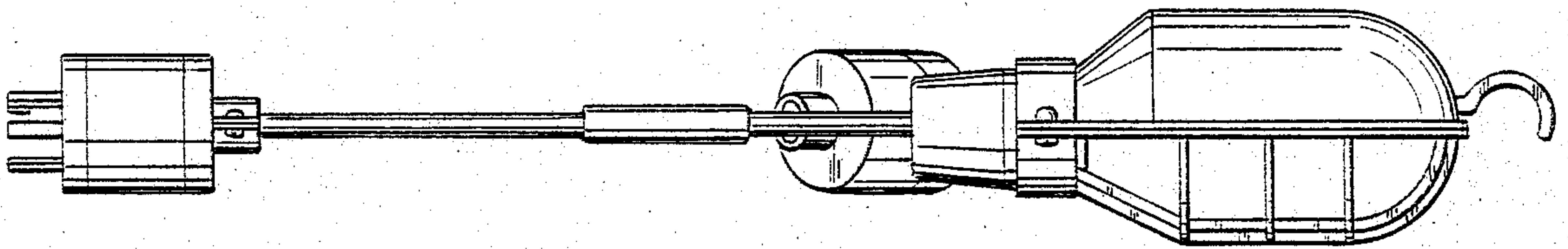
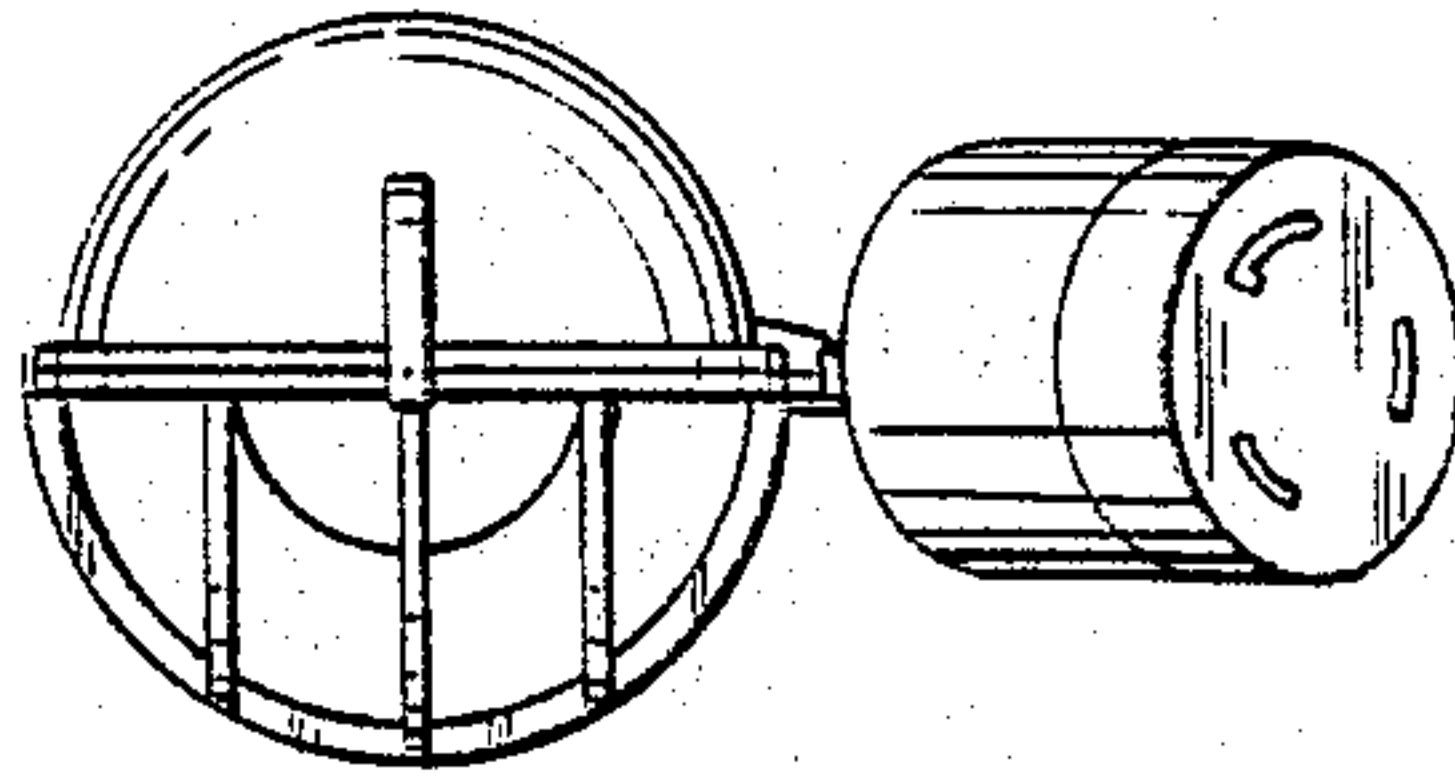


Fig. 4

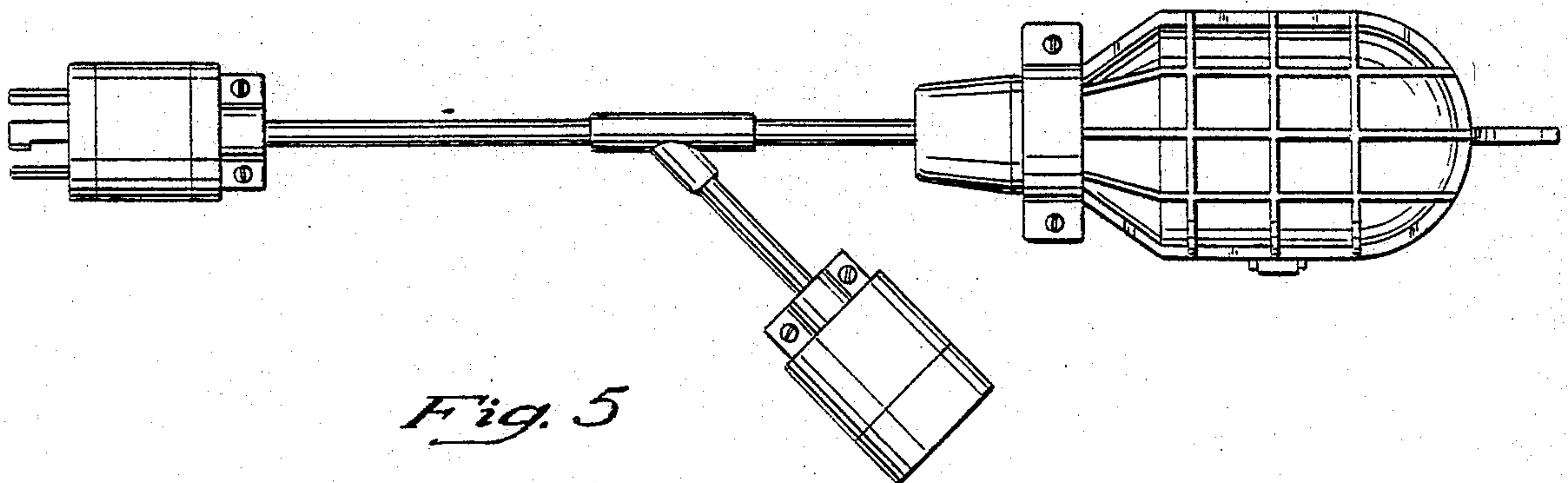


Fig. 5