

United States Patent [19]

Hollar et al.

[11] Patent Number: Des. 298,652

[45] Date of Patent: ** Nov. 22, 1988

[54] SAMPLE CUP OR THE LIKE

[75] Inventors: Robert C. Hollar, Wildwood; Tung M. Huang, Elk Grove Village, both of Ill.

[73] Assignee: Abbott Laboratories, Abbott Park, Ill.

[**] Term: 14 Years

[21] Appl. No.: 618,647

[22] Filed: Jun. 8, 1984

[52] U.S. Cl. D24/56

[58] Field of Search D24/8, 22, 29, 31, 32, D24/99, 56; 422/64, 68, 72, 73, 67, 102, 104; 356/246, 440; 250/576; 436/45, 47, 809; 206/363, 364, 366, 370, 562-564

[56] References Cited

U.S. PATENT DOCUMENTS

D. 273,807 5/1984 Holen D24/56
D. 285,118 6/1986 Huang D24/56

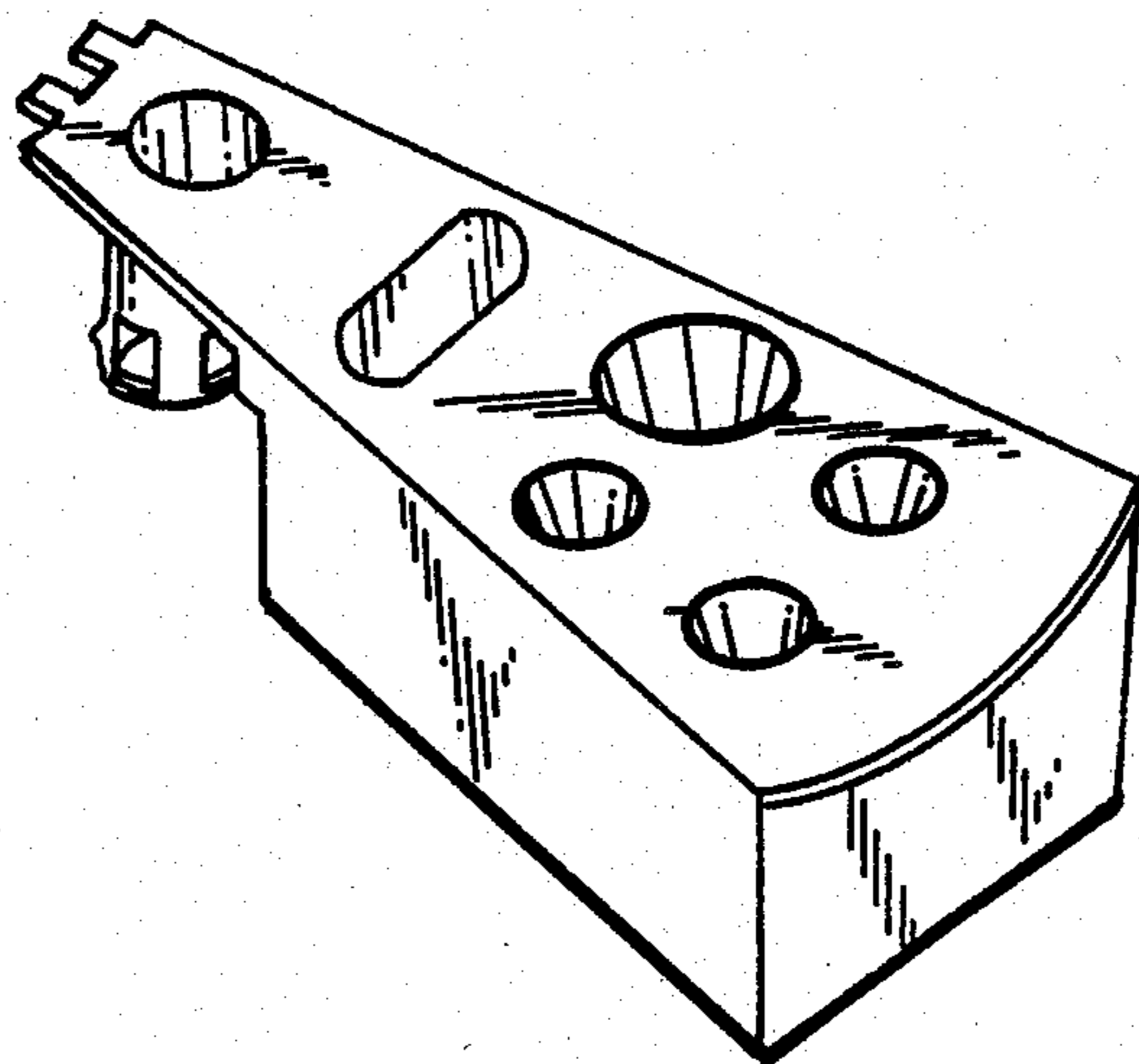
Primary Examiner—Susan J. Lucas
Attorney, Agent, or Firm—Robert W. Stevenson; Martin L. Katz

[57] CLAIM

The ornamental design of a sample cup or the like, substantially as shown and described.

DESCRIPTION

FIG. 1 is a perspective view from the top rear of the new design for a sample cup or the like; FIG. 2 is a bottom plan view thereof; FIG. 3 is a front elevational view thereof; FIG. 4 is a top plan view thereof; FIG. 5 is a rear elevational view thereof; FIG. 6 is a right side elevational view thereof; FIG. 7 is a left side elevational view thereof; and FIG. 8 is a bottom perspective view thereof.



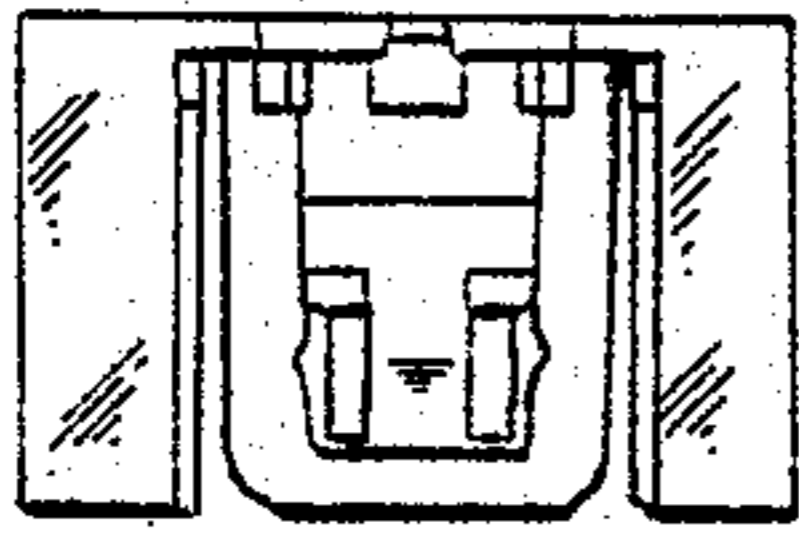


FIG. 3

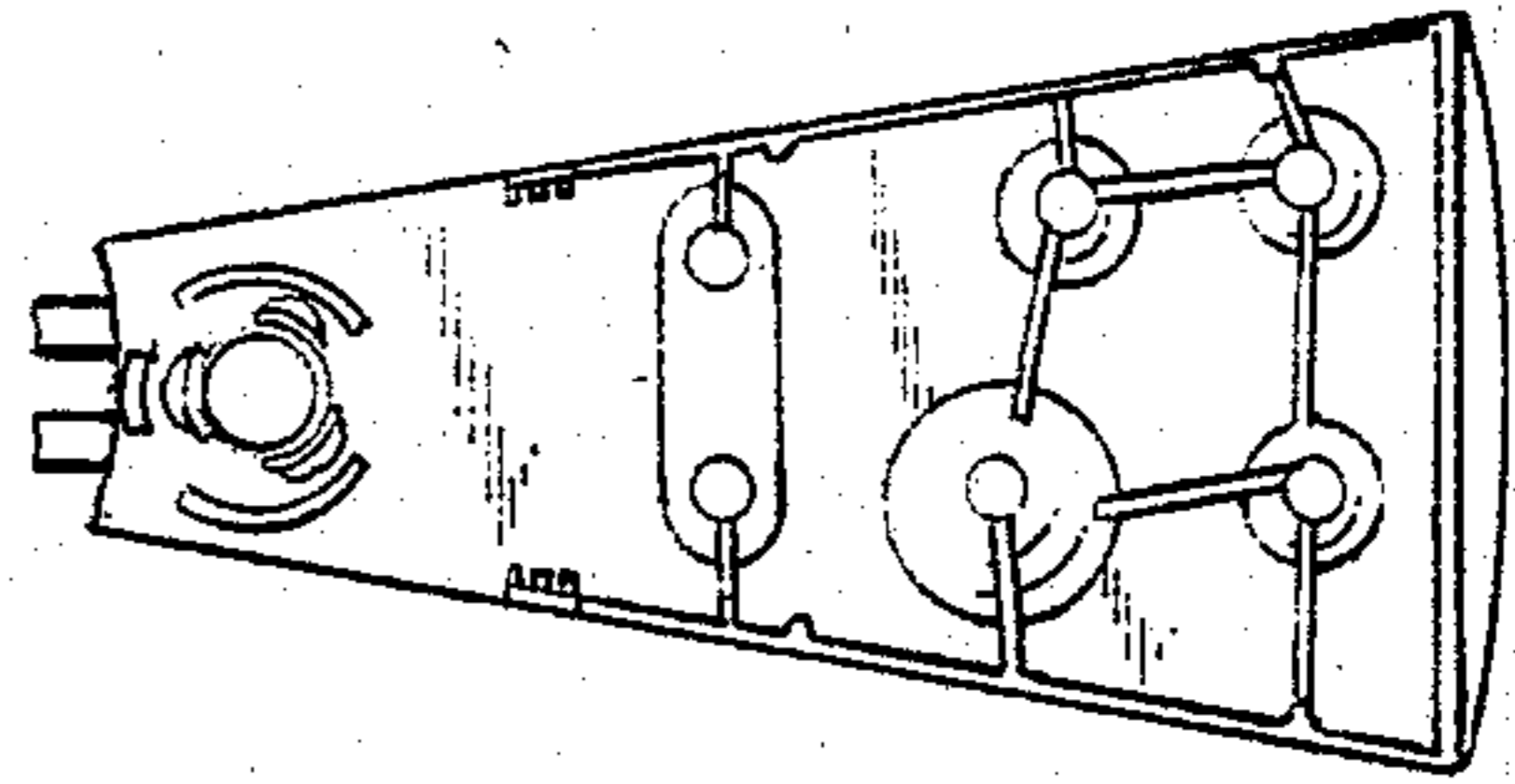


FIG. 2

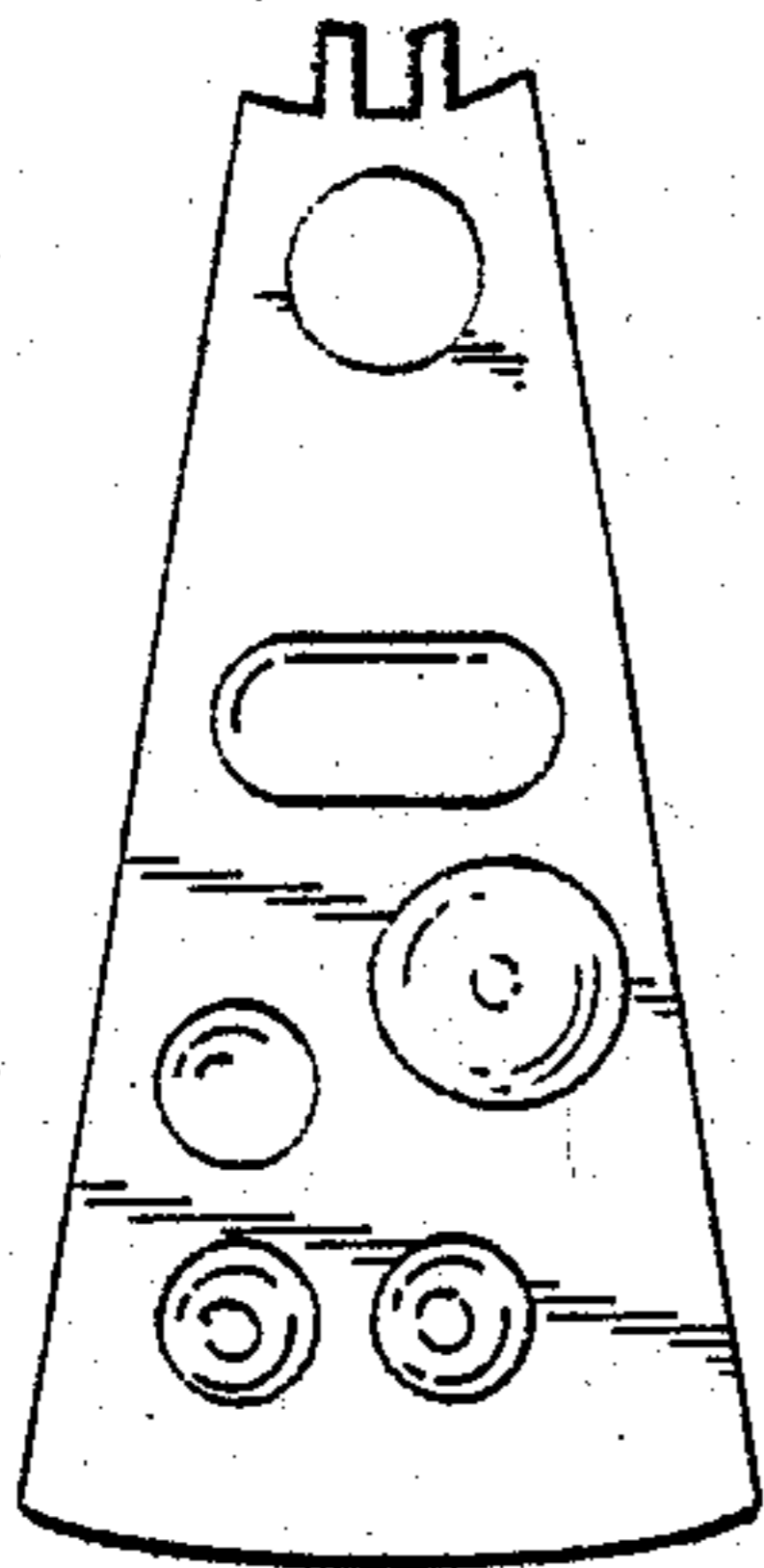


FIG. 4

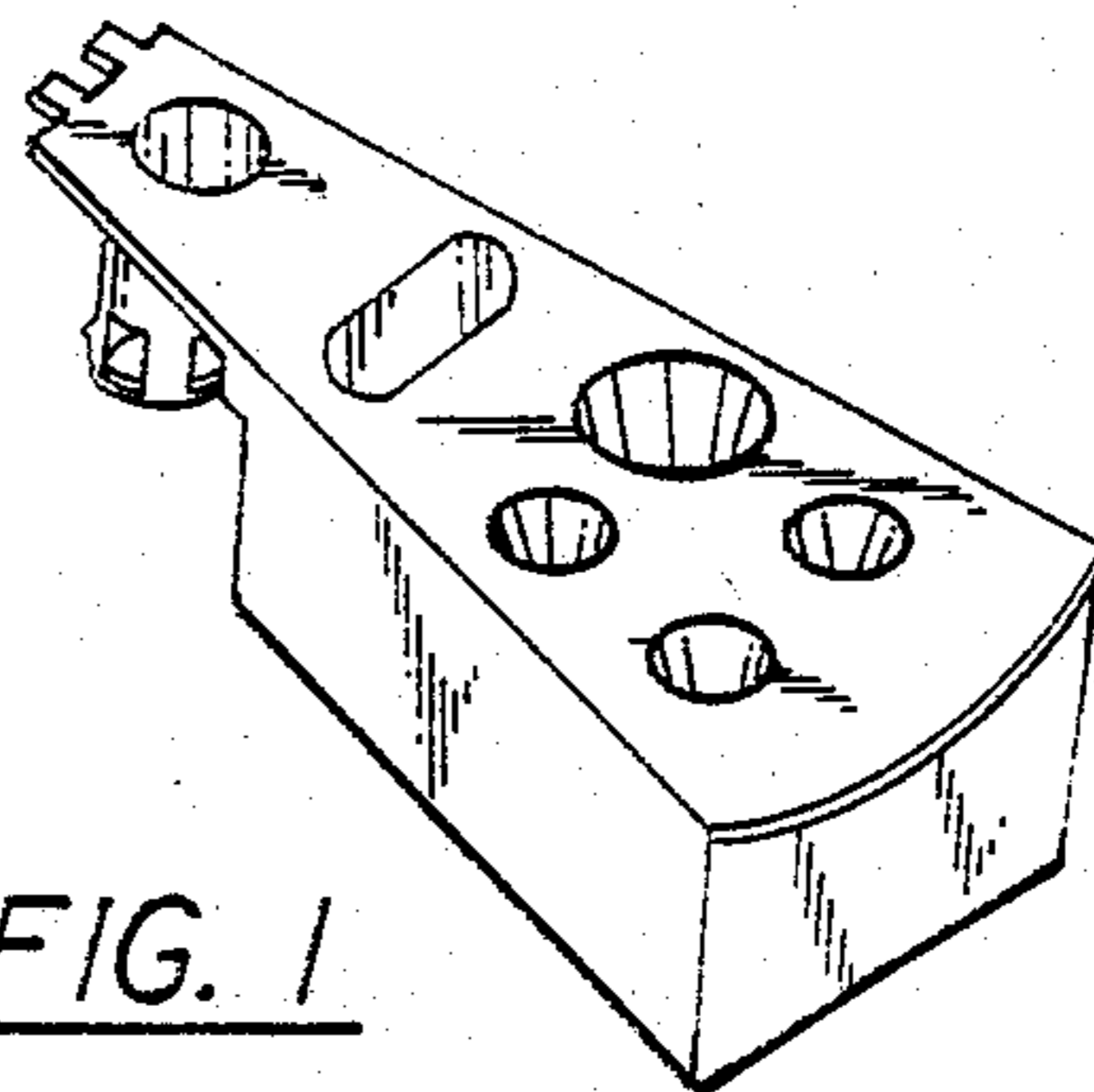


FIG. 1



FIG. 5

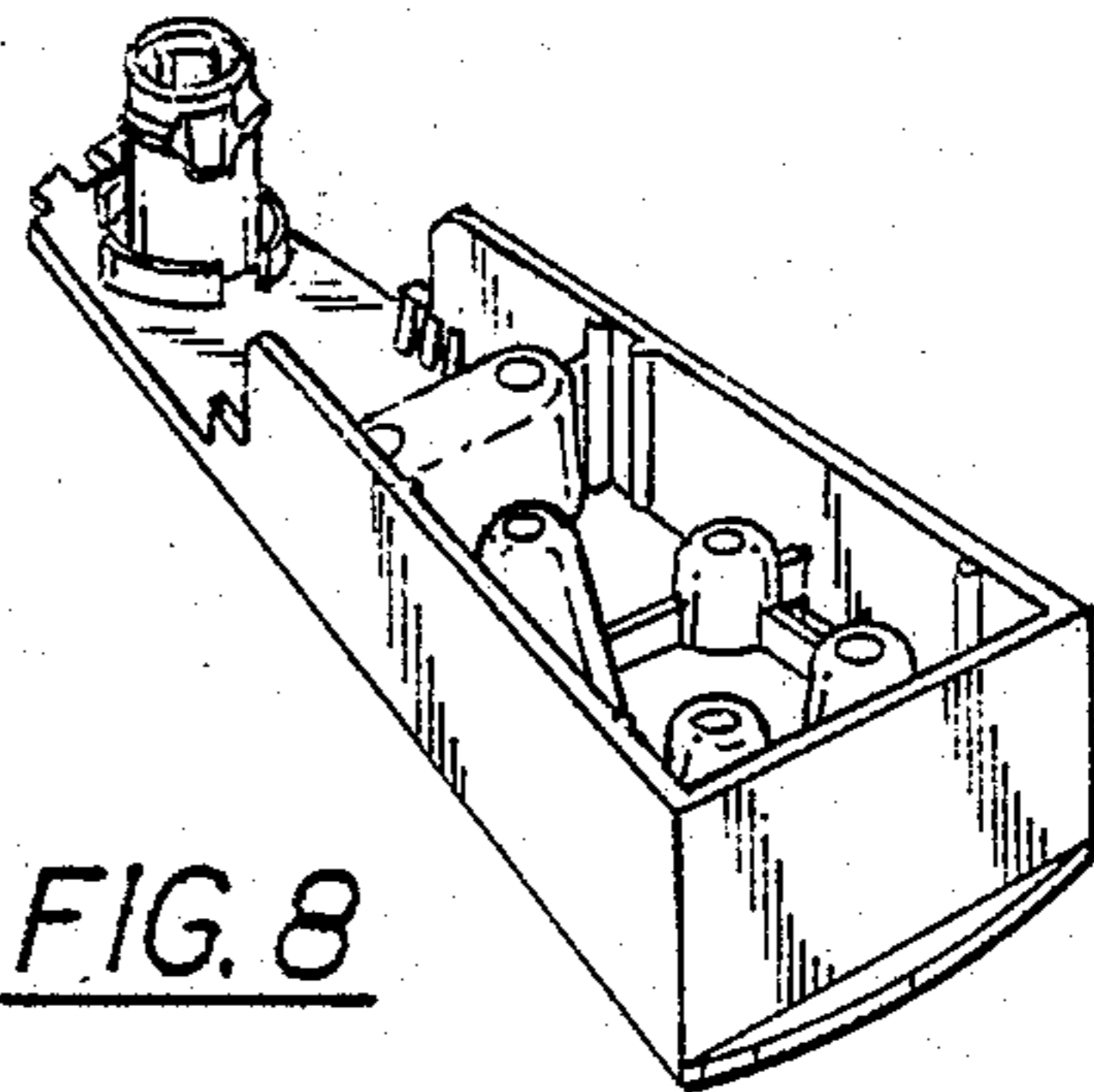


FIG. 8



FIG. 6



FIG. 7