

United States Patent [19]
Gill

[11] **Patent Number: Des. 298,648**

[45] **Date of Patent: ** Nov. 22, 1988**

[54] **FAN**

D. 84,642 7/1931 Ljungstrom D23/379

[76] **Inventor: Martin F. Gill, 2 Oakhurst Close,
Hampton Rd., Teddington,
Middlesex TW11 oJP, England**

Primary Examiner—Wallace R. Burke
Assistant Examiner—Brian N. Vinson

[**] **Term: 14 Years**

[57] **CLAIM**

The ornamental design for a fan, as shown and described.

[21] **Appl. No.: 895,873**

[22] **Filed: Aug. 12, 1986**

DESCRIPTION

[52] **U.S. Cl. D23/379**

[58] **Field of Search D23/370, 378-379;
D21/82; 415/121 G, 126, 216-217; 416/63, 170
R, 204 R, 247 R, 244 R**

FIG. 1 is a top, front and left side perspective view of a fan showing my new design;

FIG. 2 is a top, rear and left side perspective view thereof;

FIG. 3 is a left side elevational view thereof shown angled upwardly, the opposite side being a mirror image; and

FIG. 4 is a bottom, rear and left side perspective view thereof shown angled downwardly.

[56] **References Cited**

U.S. PATENT DOCUMENTS

D. 84,423 6/1931 Knight D23/379

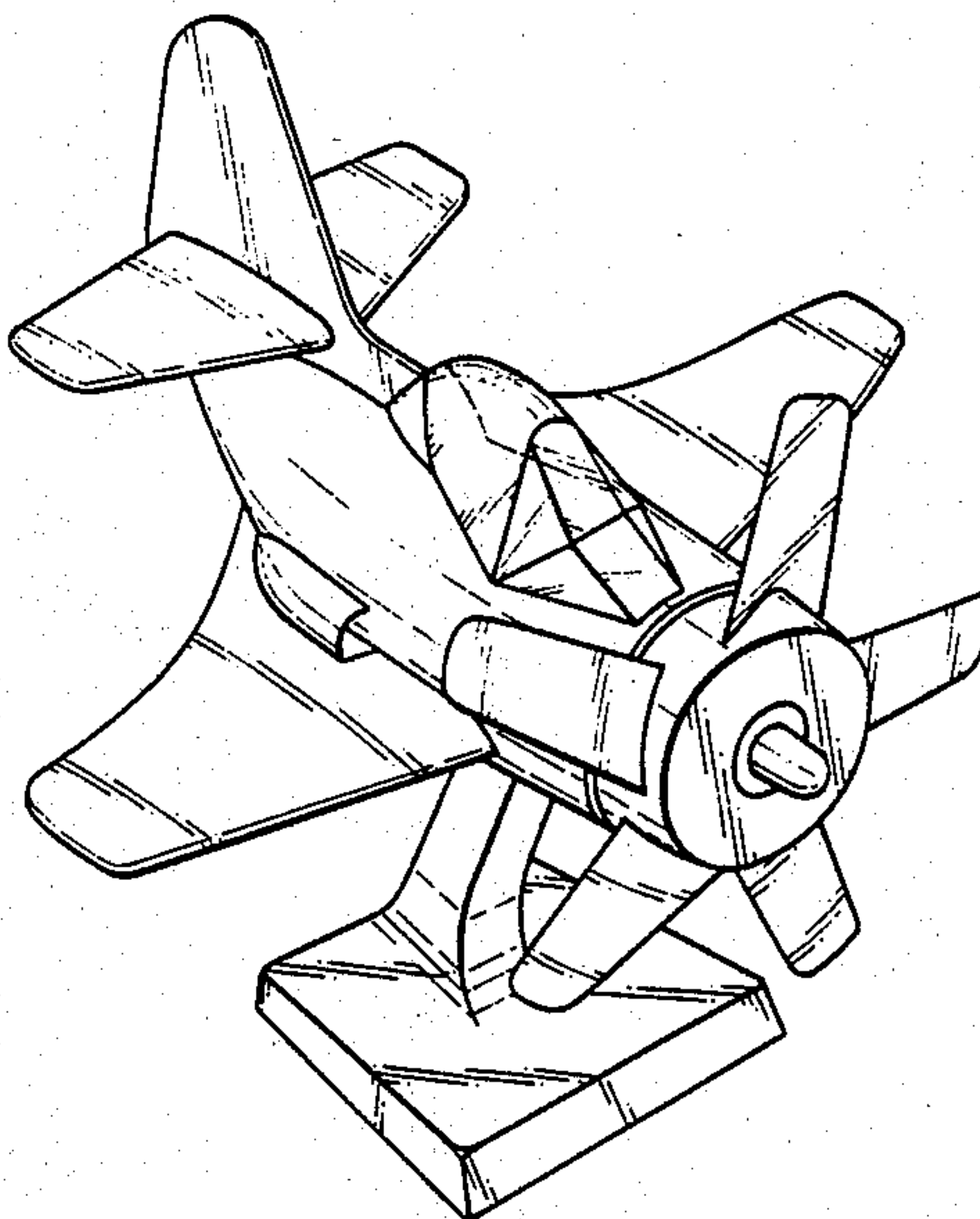


FIG. 1.

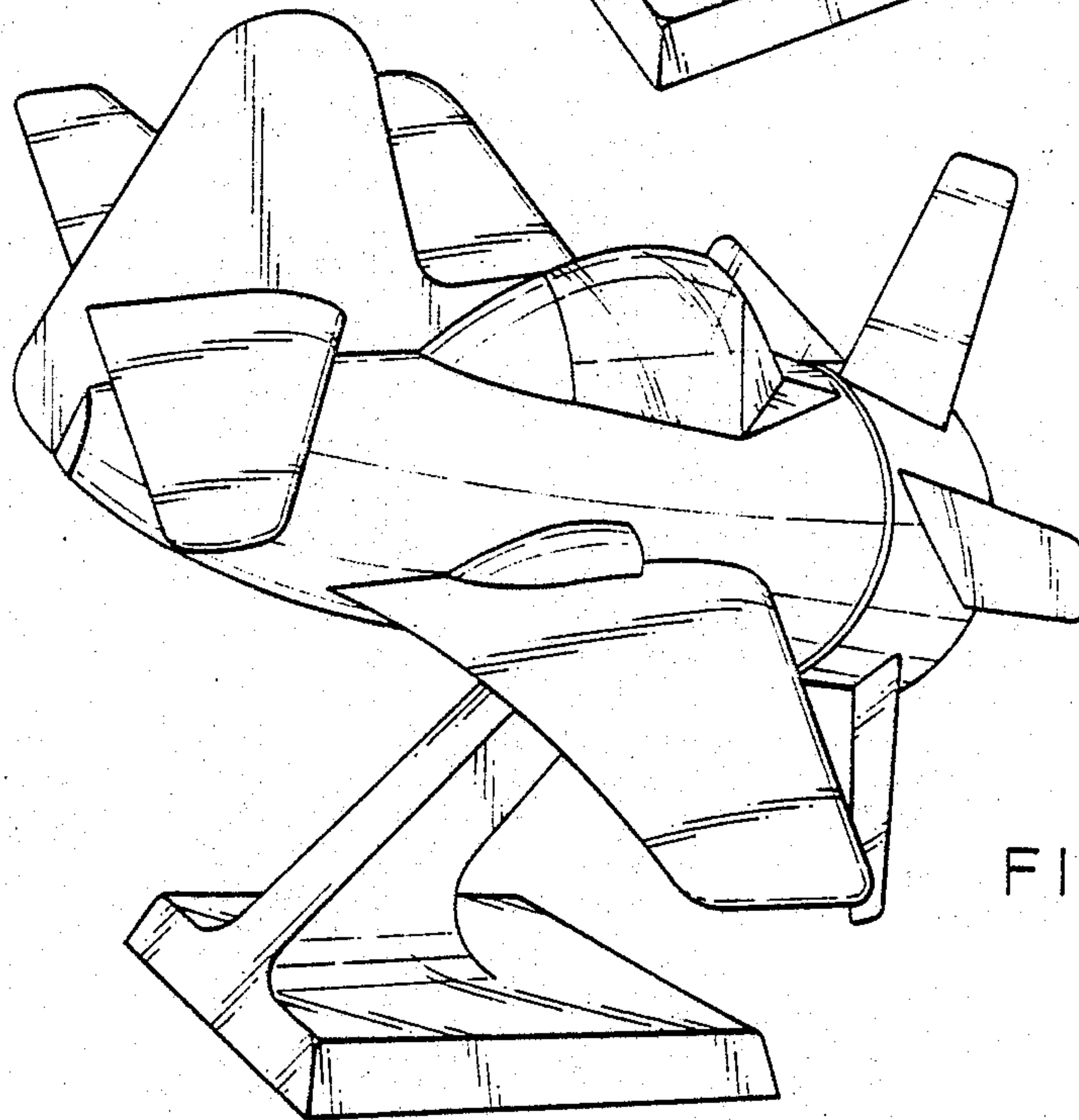
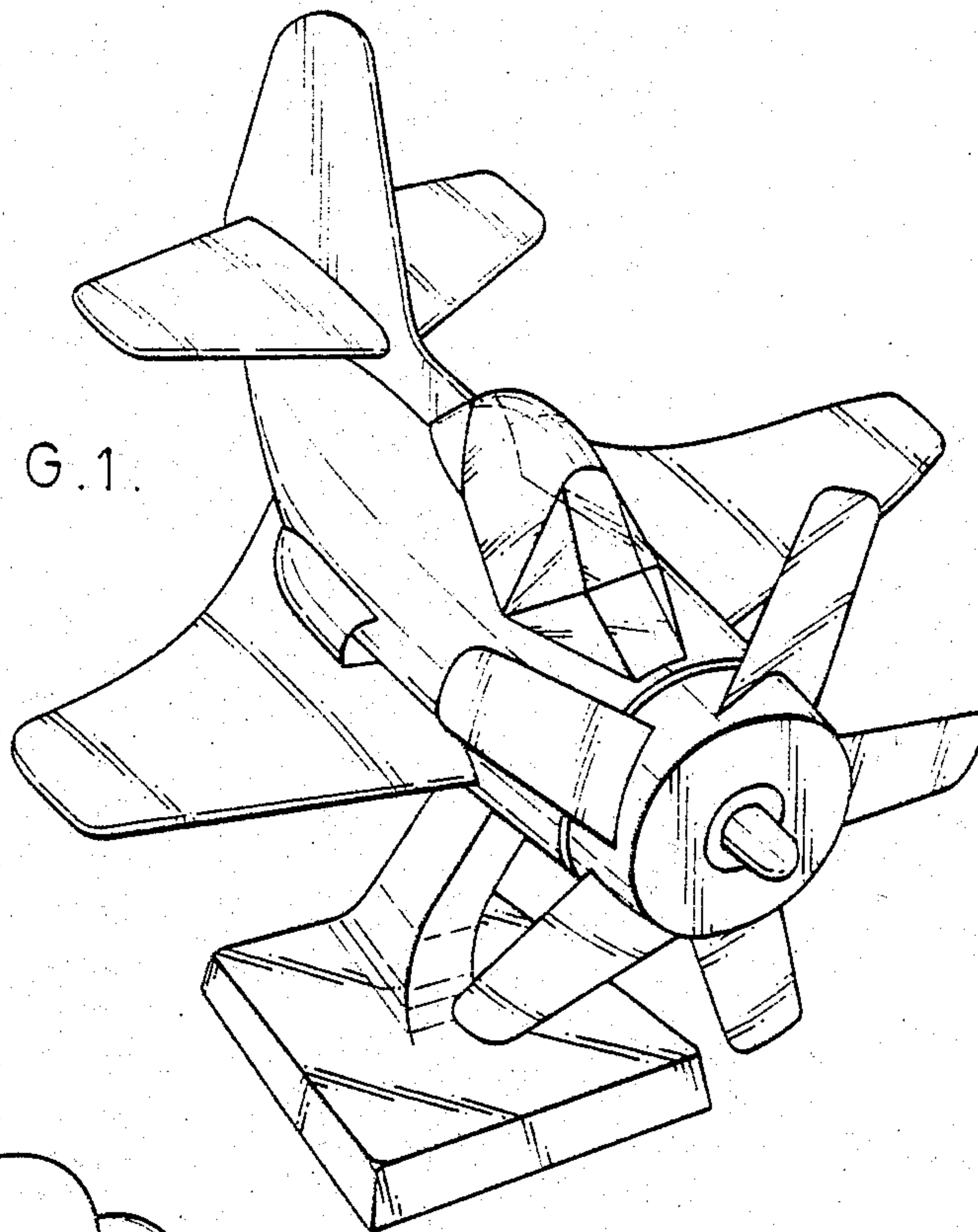


FIG. 2.

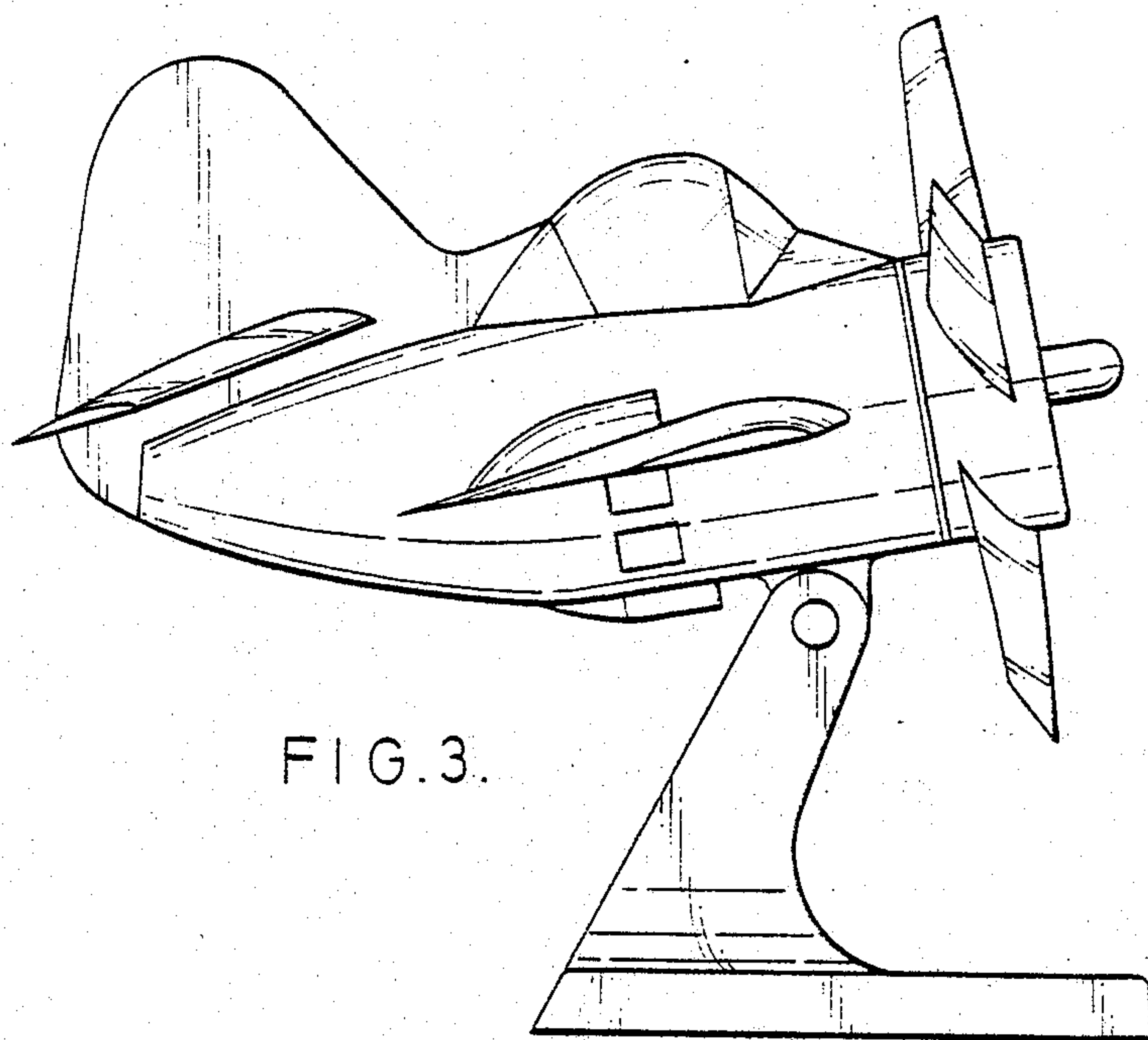


FIG. 3.

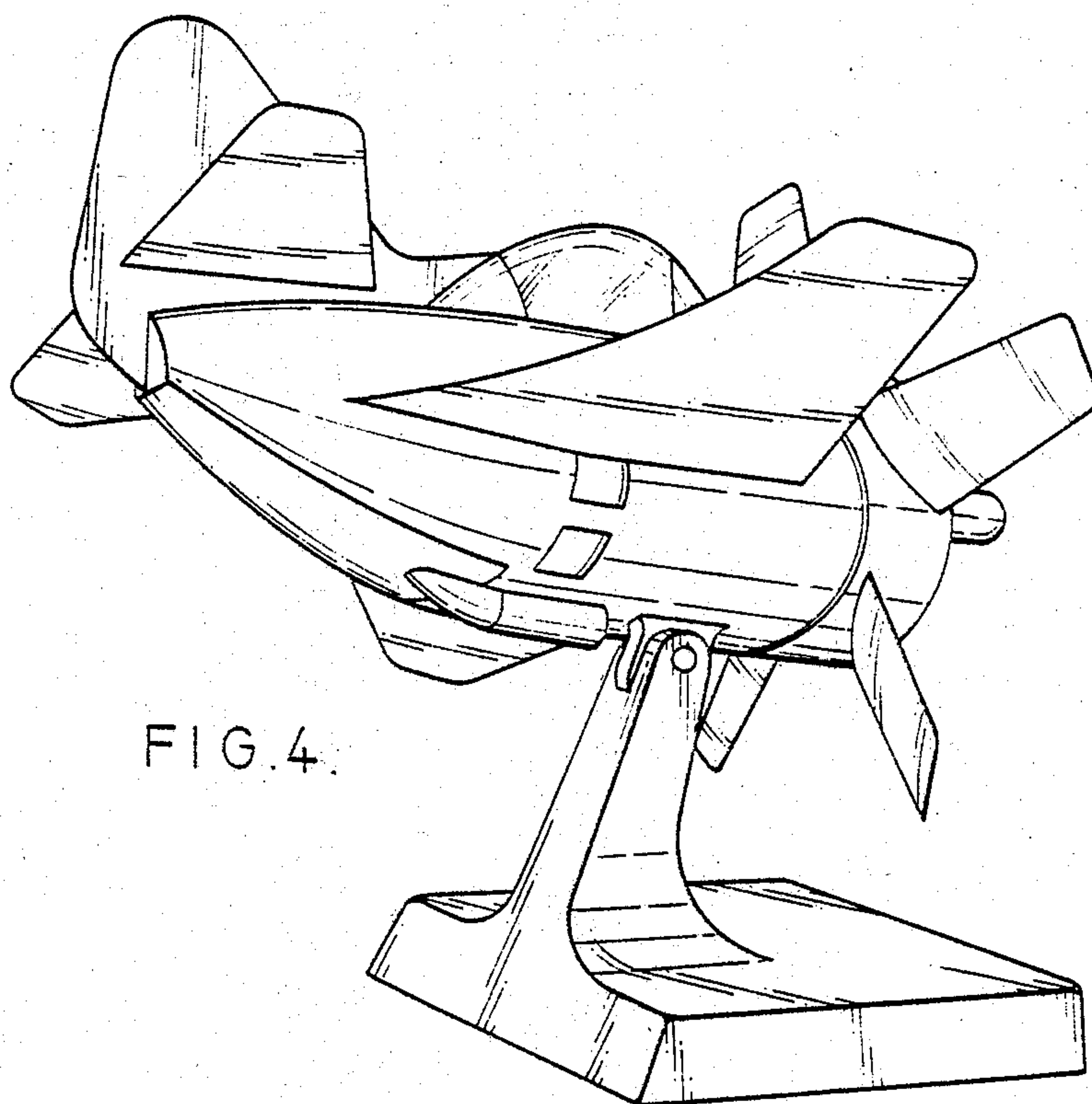


FIG. 4.