

[54] COMBINED ULTRAVIOLET LAMP AND  
MAGNIFYING LENS FOR  
AUTHENTICATING BANK NOTES

[75] Inventor: John S. Yuen, Kowloon, Hong Kong

[73] Assignee: John Manufacturing Limited,  
Kowloon, Hong Kong

[\*\*] Term: 14 Years

[21] Appl. No.: 891,383

[22] Filed: Jul. 31, 1986

[30] Foreign Application Priority Data

Feb. 4, 1986 [GB] United Kingdom ..... 1032032

[52] U.S. Cl. .... D16/135; D26/44;  
D26/51

[58] Field of Search ..... D26/37-50,  
D26/51; 362/157, 158, 183-191, 194-208, 109;  
351/235, 236, 237, 256; 356/71

[56] References Cited

U.S. PATENT DOCUMENTS

D. 171,904 4/1954 Macaluso, Jr. .... D16/135  
2,377,056 5/1945 Tontrup ..... 350/235  
2,384,528 9/1945 Brandt et al. .... 350/256 X

3,767,291 10/1973 Johnson ..... 350/237  
3,945,717 3/1976 Ryder et al. .... 362/157 X

Primary Examiner—Susan J. Lucas

Attorney, Agent, or Firm—Fay, Sharpe, Beall, Fagan,  
Minnich & McKee

[57] CLAIM

The ornamental design for a combined ultraviolet lamp  
and magnifying lens for authenticating bank notes, as  
shown and described.

DESCRIPTION

FIG. 1 is a front elevational of a combined ultraviolet  
lamp and magnifying lens for authenticating bank notes  
showing my new design;

FIG. 2 is a bottom plan view thereof;

FIG. 3 is a rear elevational view thereof;

FIG. 4 is a right side elevational view thereof;

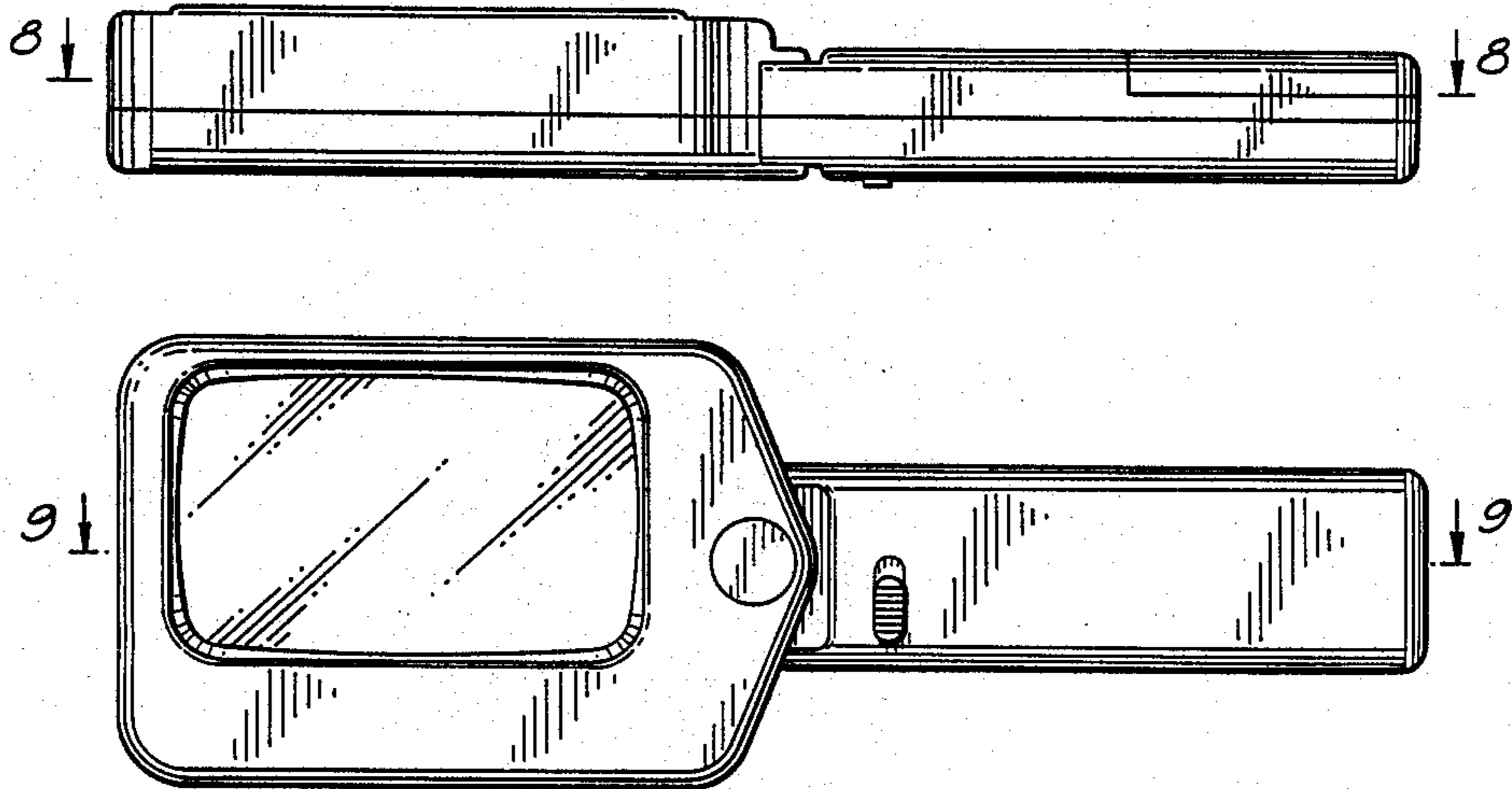
FIG. 5 is a top plan view thereof;

FIG. 6 is a top plan view thereof, the illuminated magni-  
fying head being pivoted to an alternate position;

FIG. 7 is a left side elevational view thereof;

FIG. 8 is a cross sectional view thereof as taken along  
line 8—8 of FIG. 1;

FIG. 9 is a cross-sectional view thereof as taken along  
line 9—9 of FIG. 2.



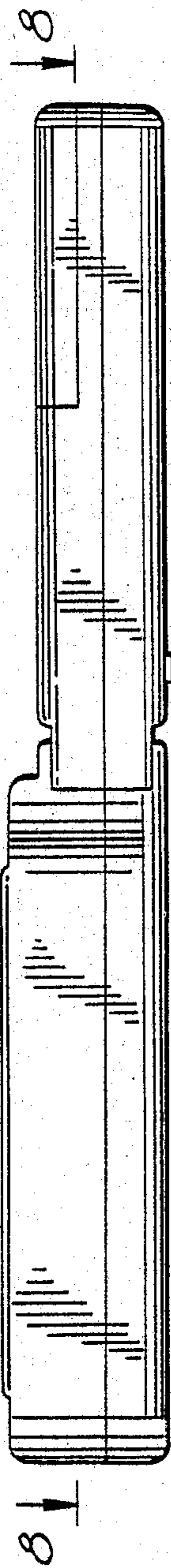


FIG. 1.

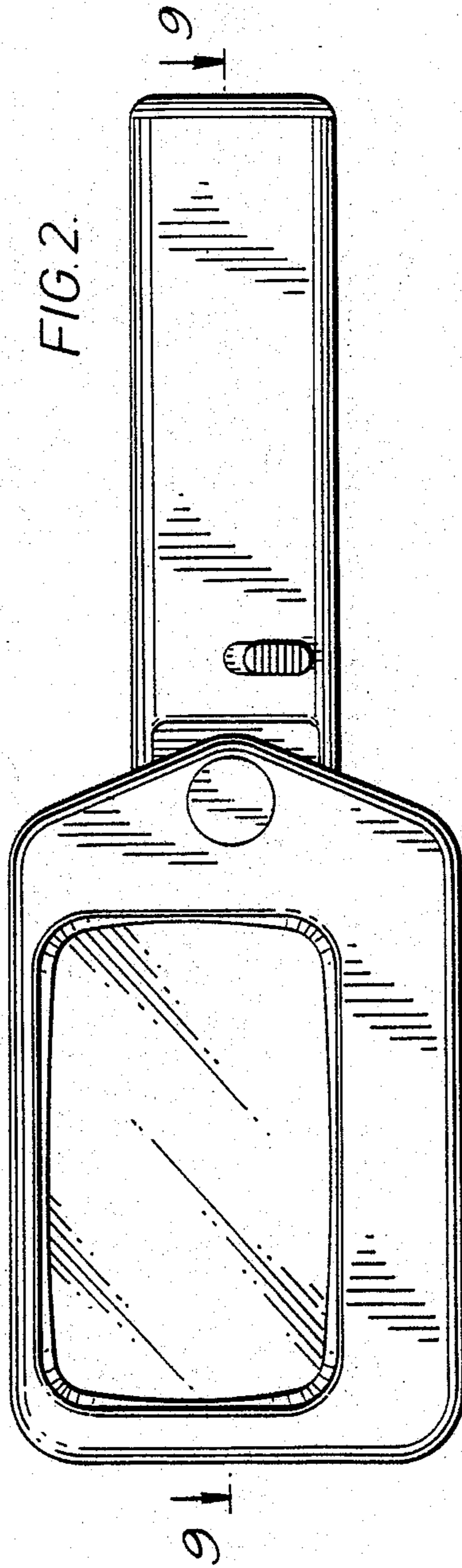


FIG. 2.

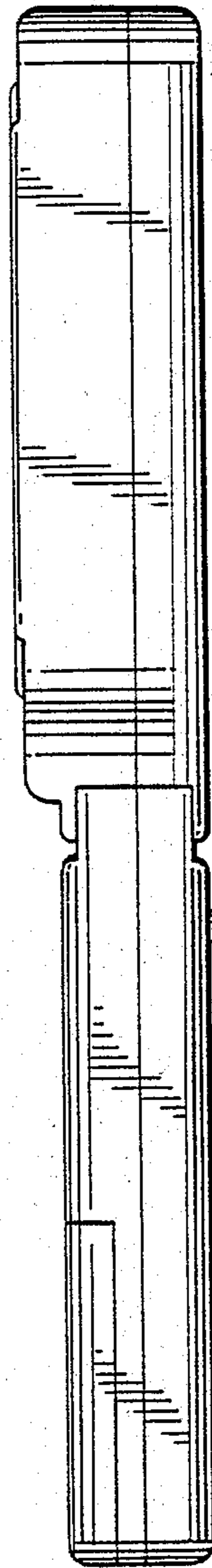


FIG. 3.

FIG. 4.

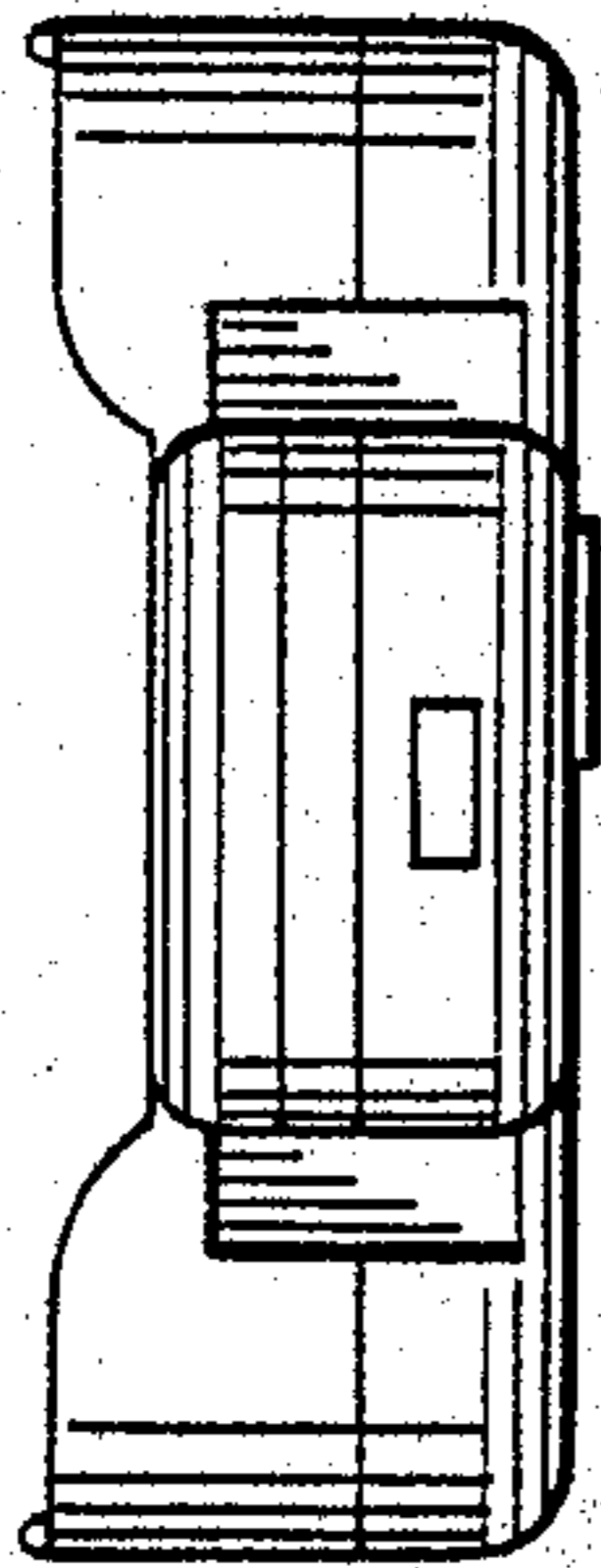
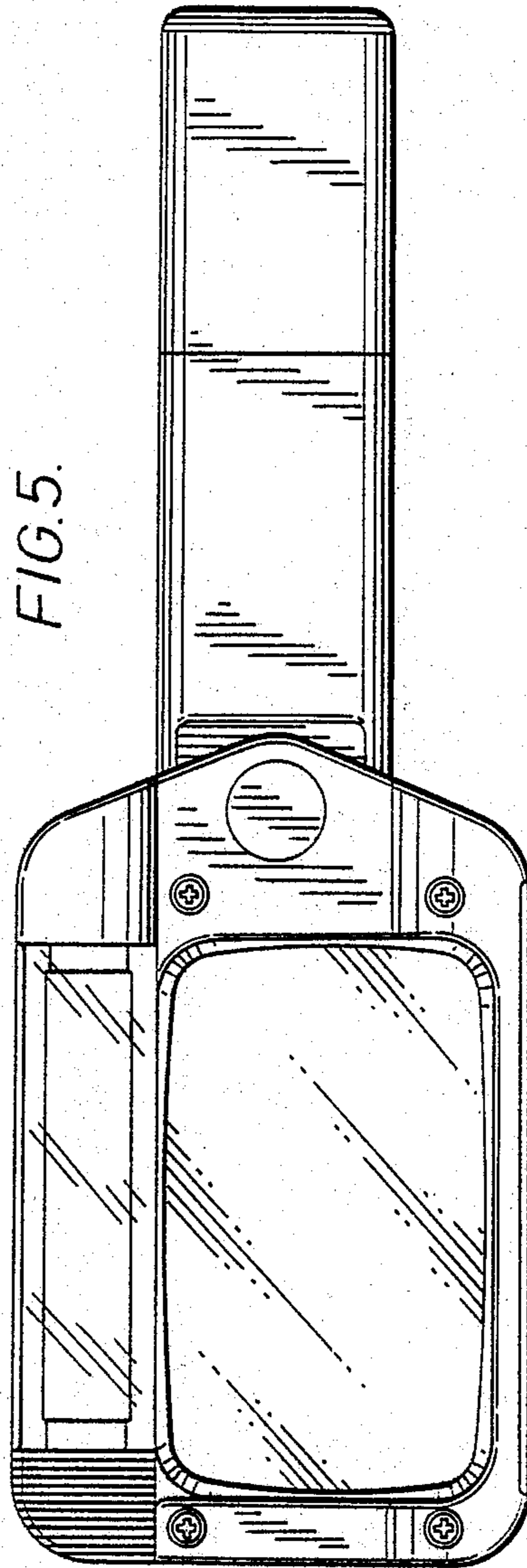


FIG. 5.



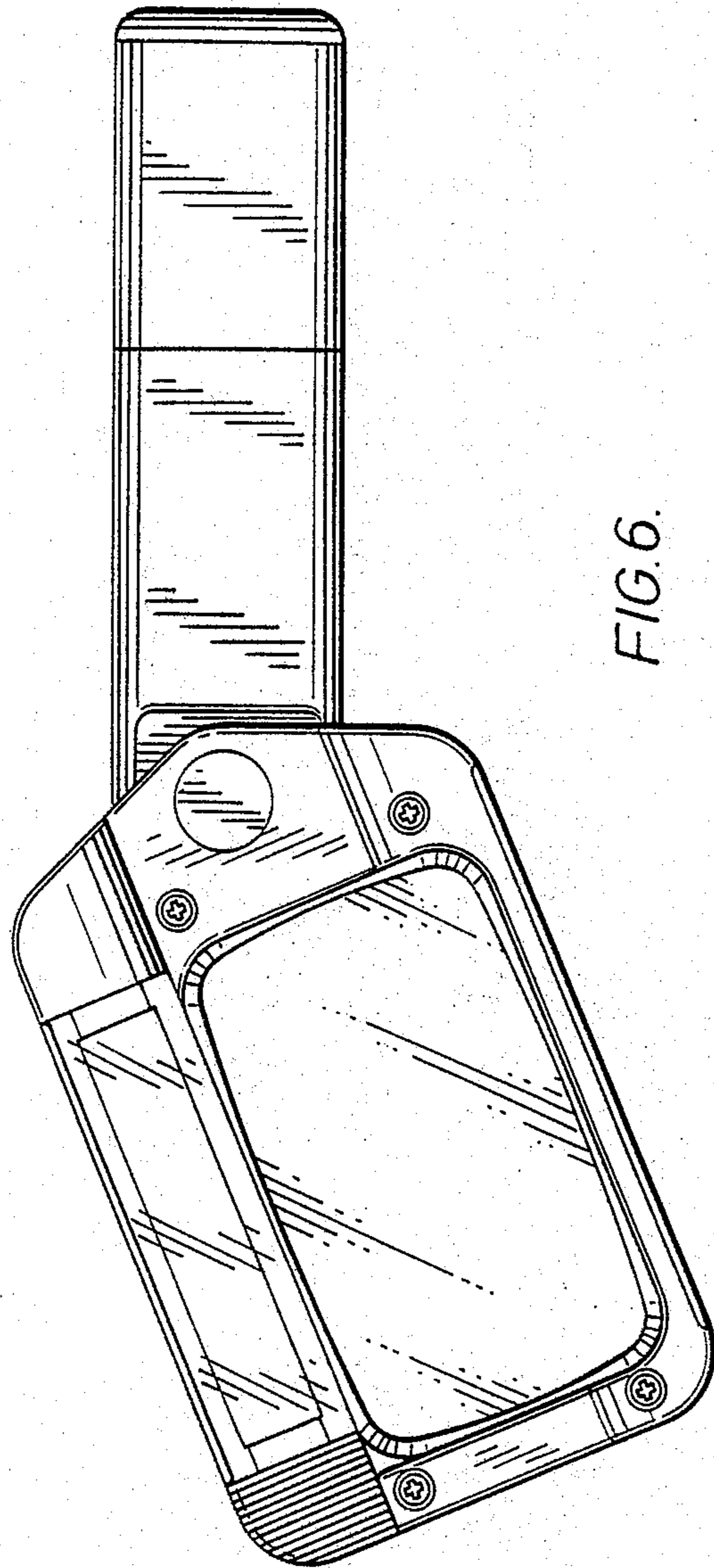


FIG. 6.

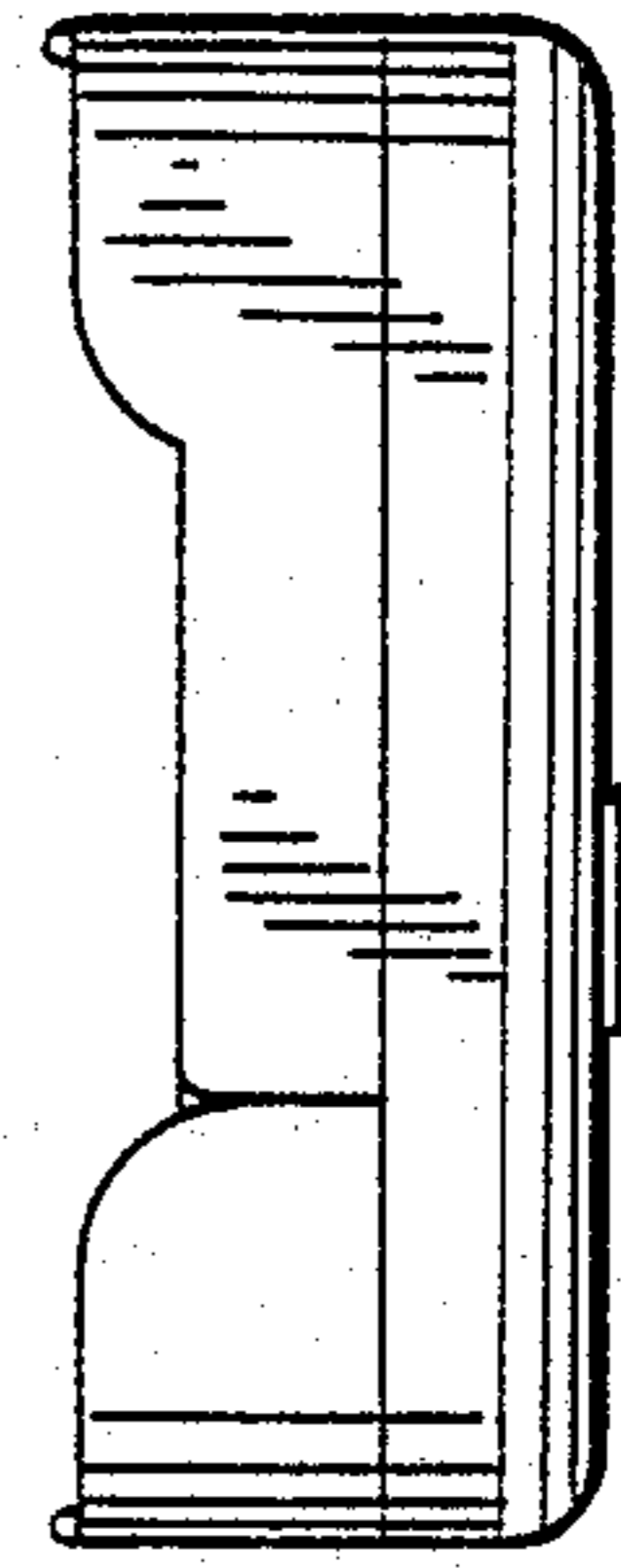


FIG. 7.

