

United States Patent [19]

Sellars, Jr. et al.

[11] Patent Number: **Des. 298,630**

[45] Date of Patent: **** Nov. 22, 1988**

[54] **HAND-HELD BAR CODE SCANNER**

[75] Inventors: **James F. Sellars, Jr., Plano; Jesse Sanchez, Jr., Desoto, both of Tex.**

[73] Assignee: **Recognition Equipment Incorporated, Irving, Tex.**

[**] Term: **14 Years**

[21] Appl. No.: **882,697**

[22] Filed: **Jul. 7, 1986**

[52] U.S. Cl. **D14/116**

[58] Field of Search **D14/116, 107, 114; D10/112; 235/454, 470, 472; 250/203 R, 566; D26/45**

[56] **References Cited**

U.S. PATENT DOCUMENTS

D. 207,552	5/1967	Perkins et al.	D10/112
D. 238,858	2/1976	Barclay et al.	D14/116
D. 239,005	3/1976	Koenig	D14/116
D. 240,606	7/1976	Koenig	D14/116
D. 248,946	8/1978	Koenig	D14/116

D. 262,371	12/1981	Sanner	D14/116
D. 262,458	12/1981	Sanner	D14/116
D. 262,883	2/1982	Sanner	D14/116
3,673,416	6/1972	Berler	235/454 X
4,496,831	1/1985	Swartz et al.	235/472
4,578,571	3/1986	Williams	235/472
4,603,262	7/1986	Eastman et al.	250/566

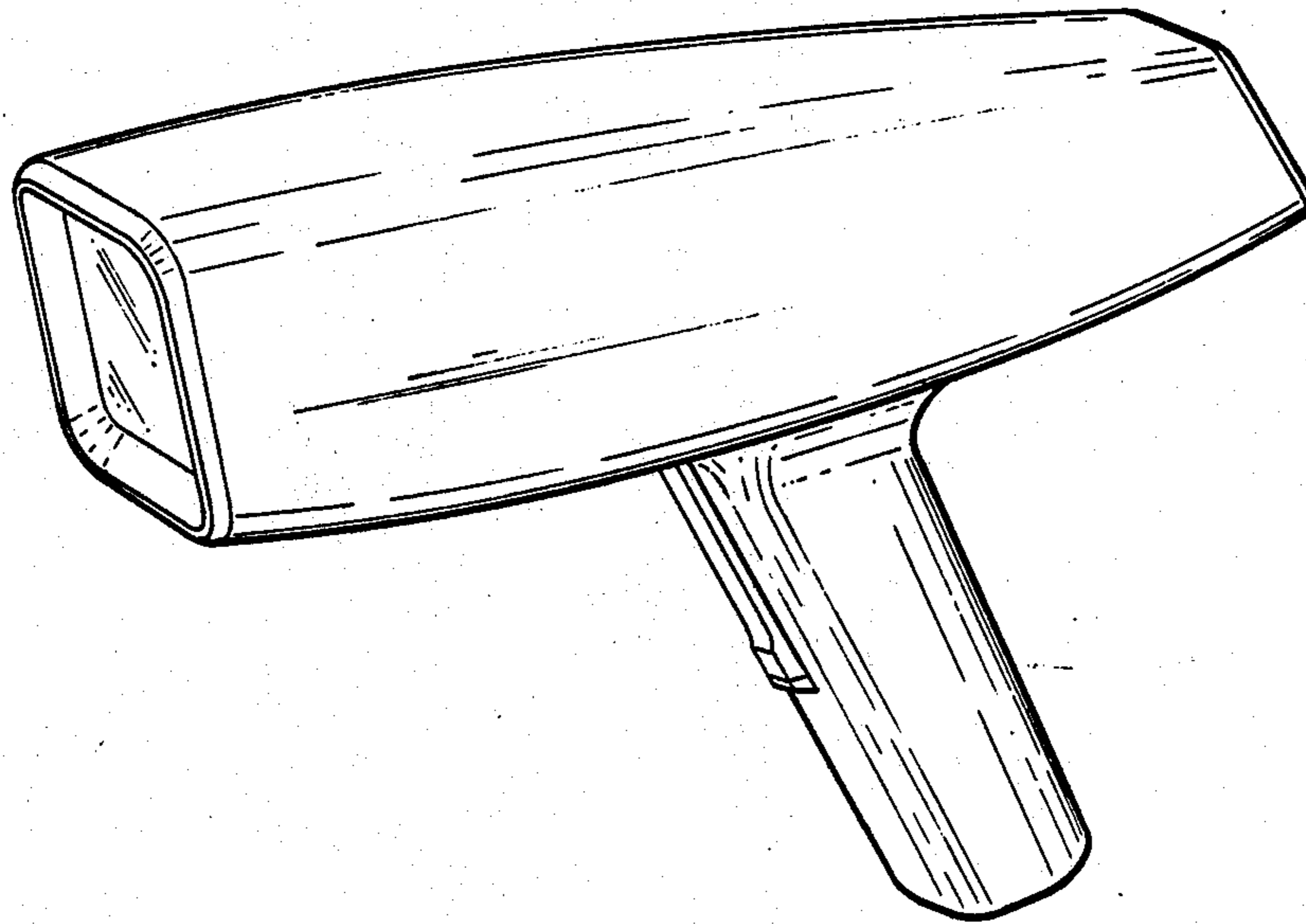
Primary Examiner—Susan J. Lucas
Attorney, Agent, or Firm—Ross, Howison, Clapp & Korn

[57] **CLAIM**

The ornamental design for hand-held bar code scanner, as shown and described.

DESCRIPTION

FIG. 1 is a perspective view for a hand-held bar code scanner showing our new design;
FIG. 2 is a side elevational view thereof, the opposite side being a mirror image;
FIG. 3 is a top plan view thereof;
FIG. 4 is a bottom plan view thereof;
FIG. 5 is a front elevational view thereof; and
FIG. 6 is a rear elevational view thereof.



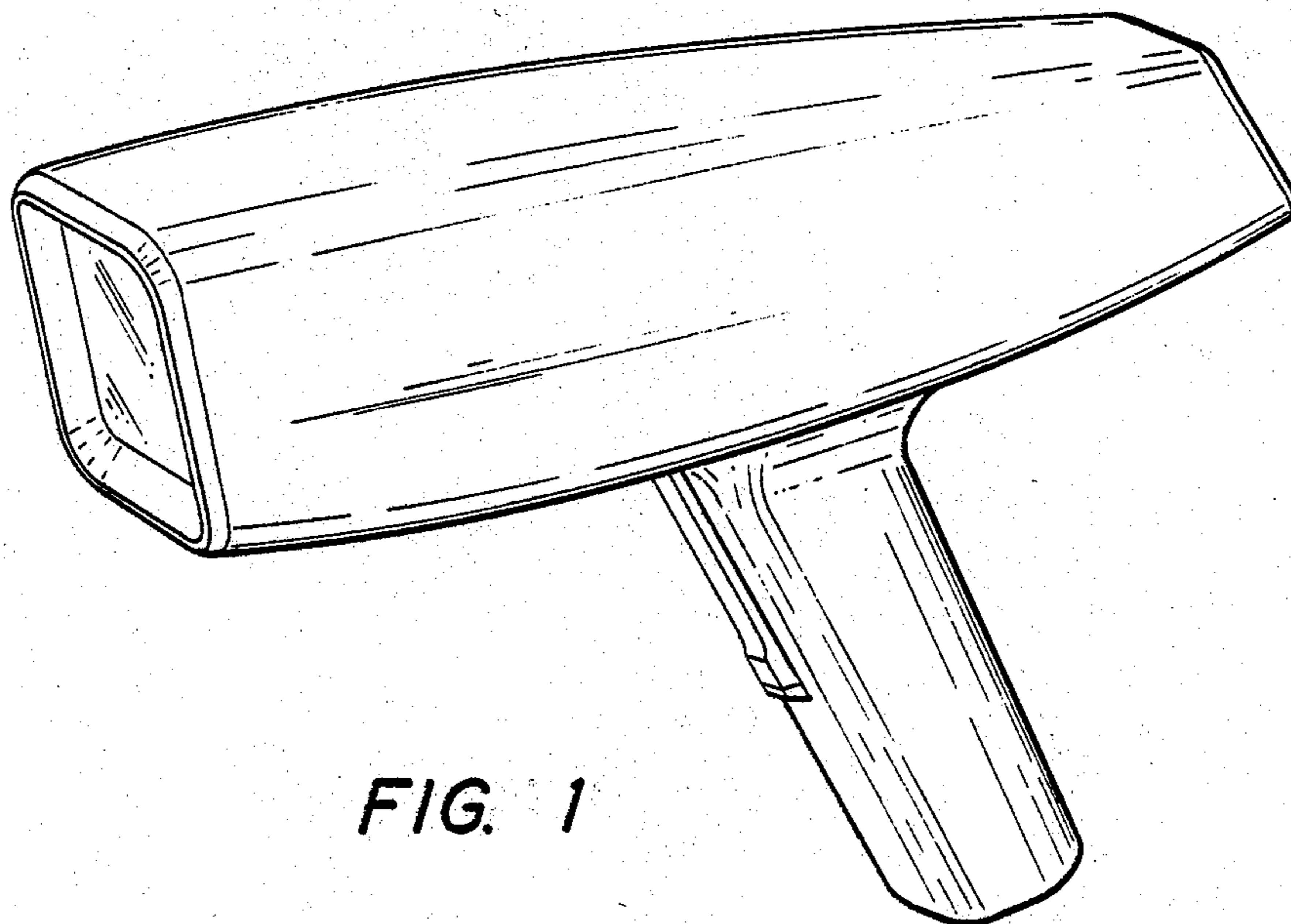


FIG. 1

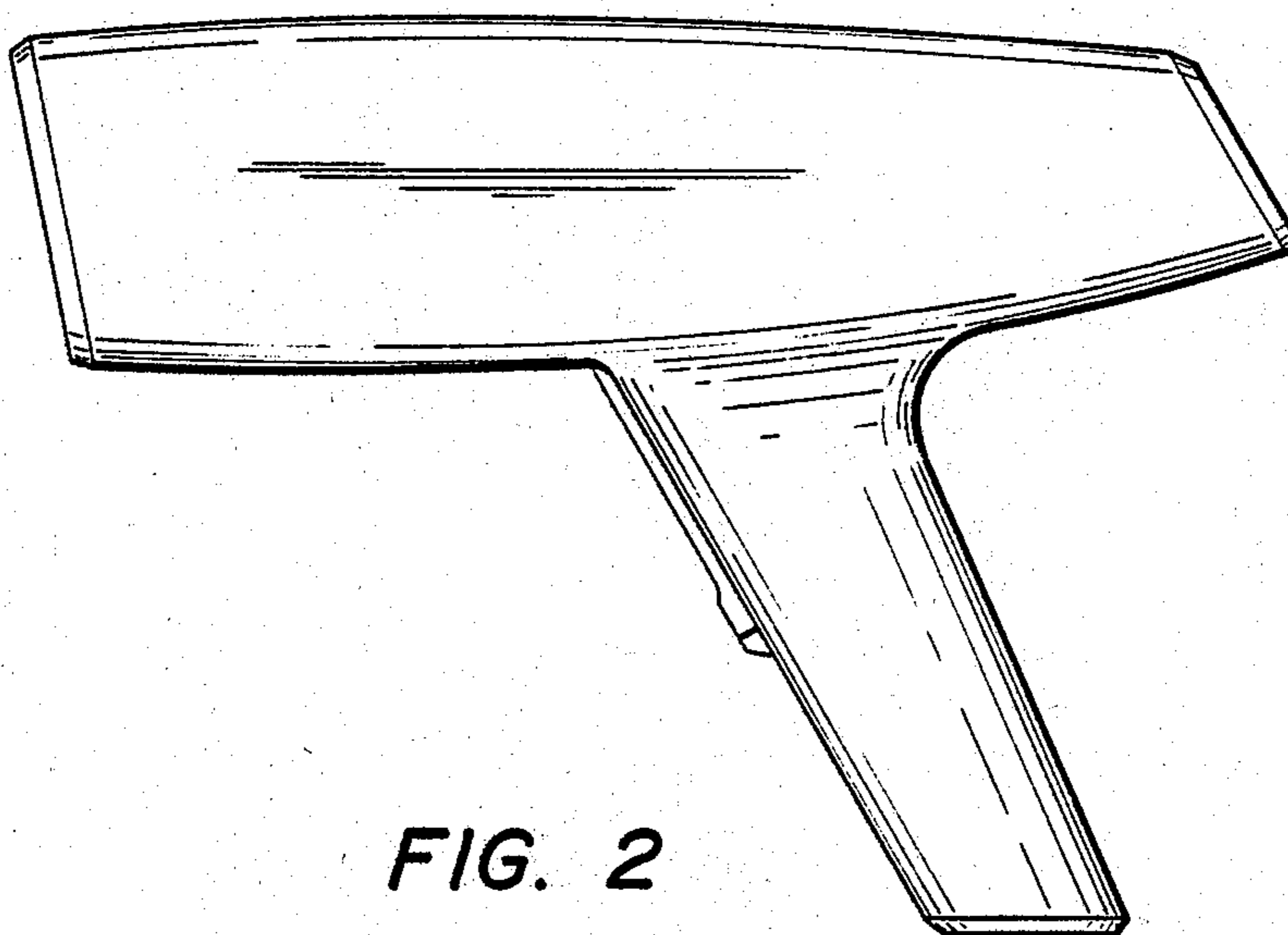


FIG. 2

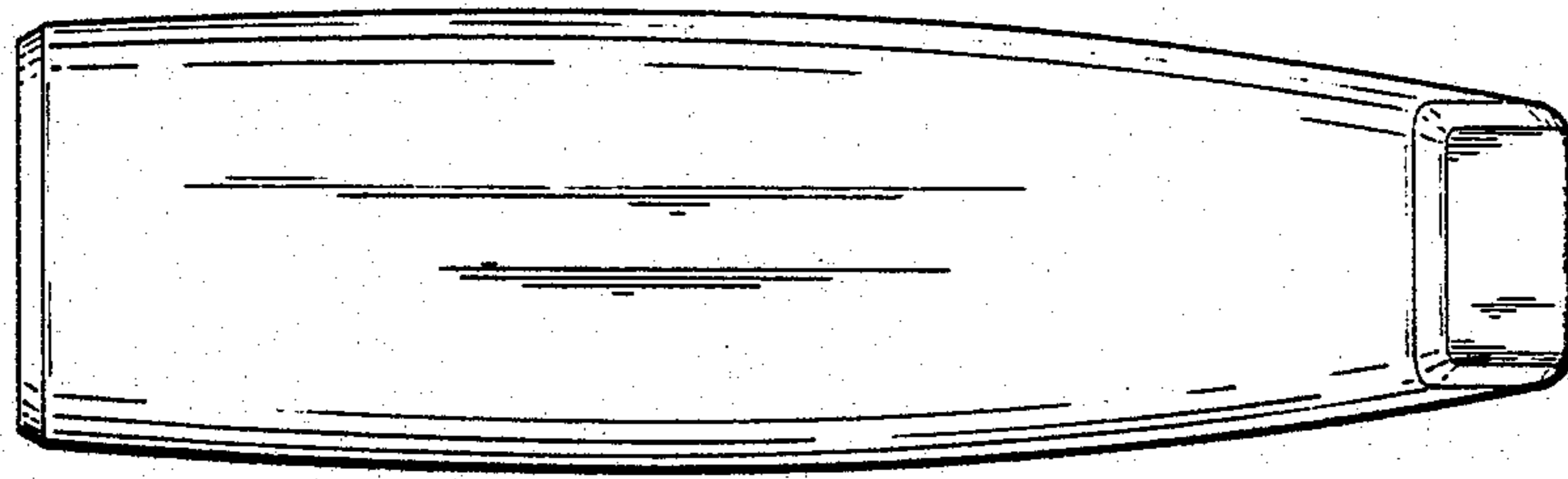


FIG. 3

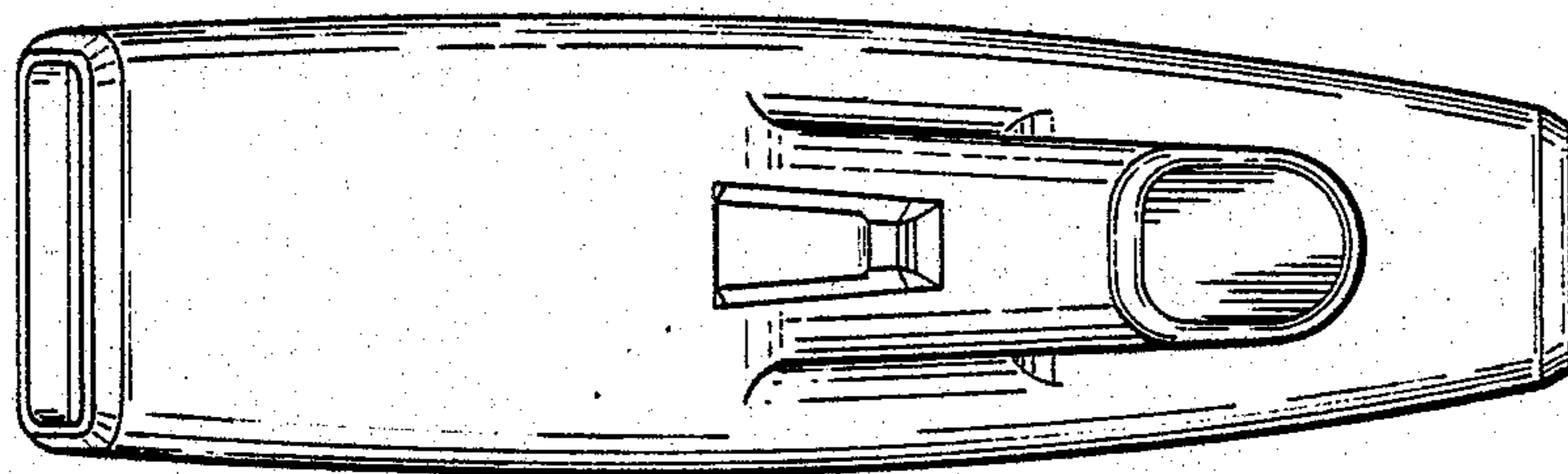


FIG. 4

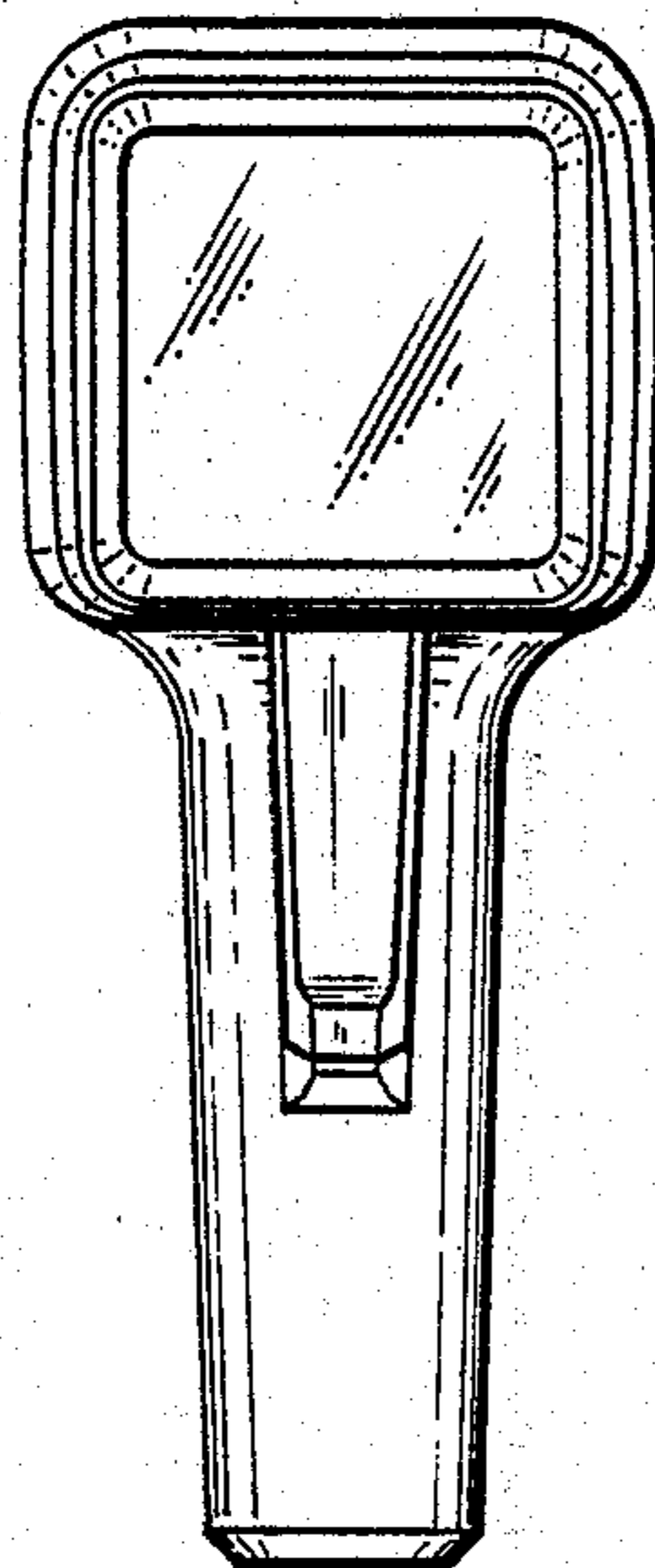


FIG. 5

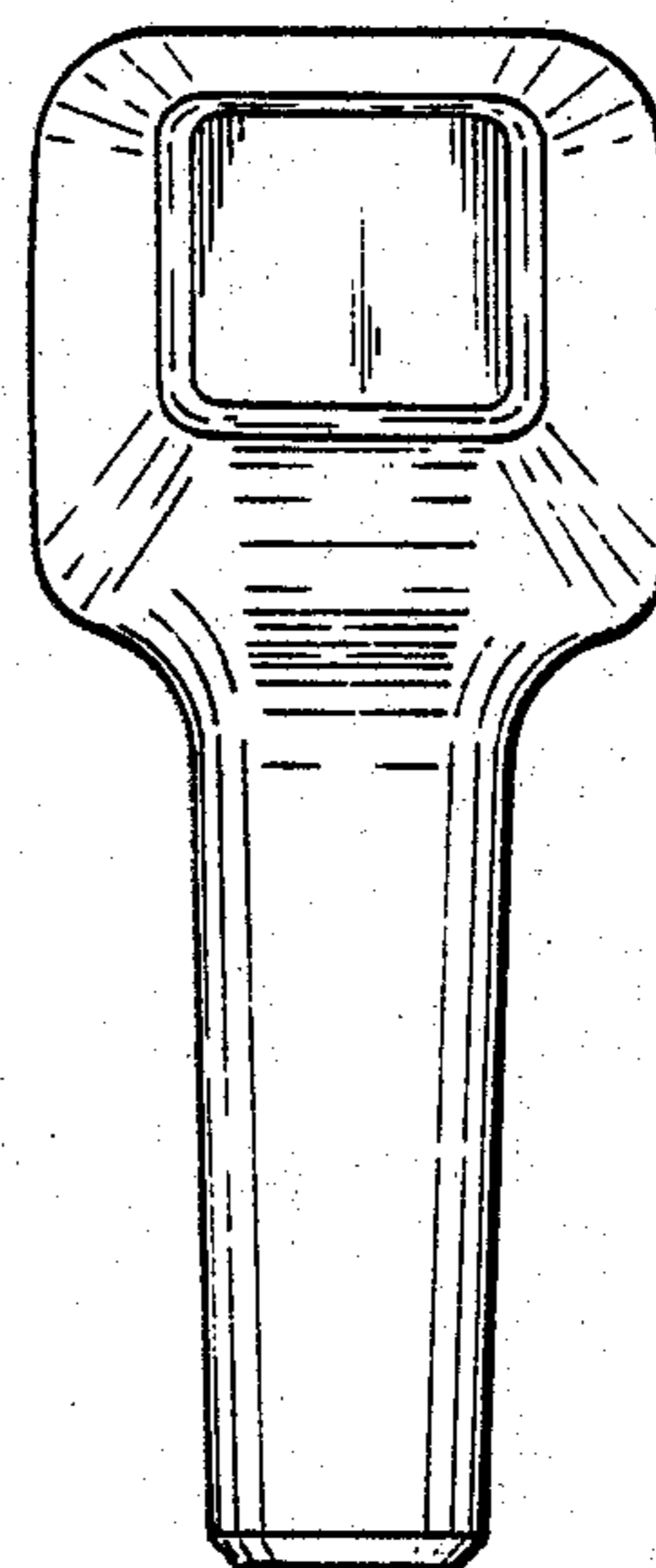


FIG. 6