

United States Patent [19]

Mochizuki

[11] Patent Number: **Des. 298,629**

[45] Date of Patent: **** Nov. 22, 1988**

[54] **INTERFACE CASSETTE FOR PRINTER**

[75] Inventor: **Nobutoshi Mochizuki, Tokyo, Japan**

[73] Assignee: **Citizen Watch Co., Ltd., Tokyo, Japan**

[**] Term: **14 Years**

[21] Appl. No.: **805,551**

[22] Filed: **Nov. 18, 1985**

[30] **Foreign Application Priority Data**

Jul. 22, 1985 [JP] Japan 60-31006

[52] U.S. Cl. **D14/114**

[58] Field of Search D14/100, 111, 107, 114,
D14/11; D13/40, 41; 174/52 R; 361/331, 380,
390-395, 399; 400/692; D18/12, 22

[56] **References Cited**

U.S. PATENT DOCUMENTS

D. 269,673 7/1983 Johansson et al. D14/114

D. 277,189 1/1985 Shibata D14/114

4,149,027 4/1979 Asher et al. 174/52 R

4,531,176 7/1985 Beecher, II 361/395 X

Primary Examiner—Susan J. Lucas

Attorney, Agent, or Firm—Cushman, Darby & Cushman

[57] **CLAIM**

The ornamental design for an interface cassette for printer, as shown and described.

DESCRIPTION

FIG. 1 is a top, front and left side perspective view of an interface cassette for printer showing my new design, FIG. 2 is a bottom, rear and left side perspective view thereof,

FIG. 3 is a front elevational view thereof,

FIG. 4 is a rear elevational view thereof,

FIG. 5 is a top plan view thereof,

FIG. 6 is a bottom plan view thereof,

FIG. 7 is a left side elevational view thereof,

FIG. 8 is a right side elevational view thereof, and

FIG. 9 is a perspective thereof showing the interface cassette in its operational environment, the printer being shown in broken lines for illustrative purposes only.

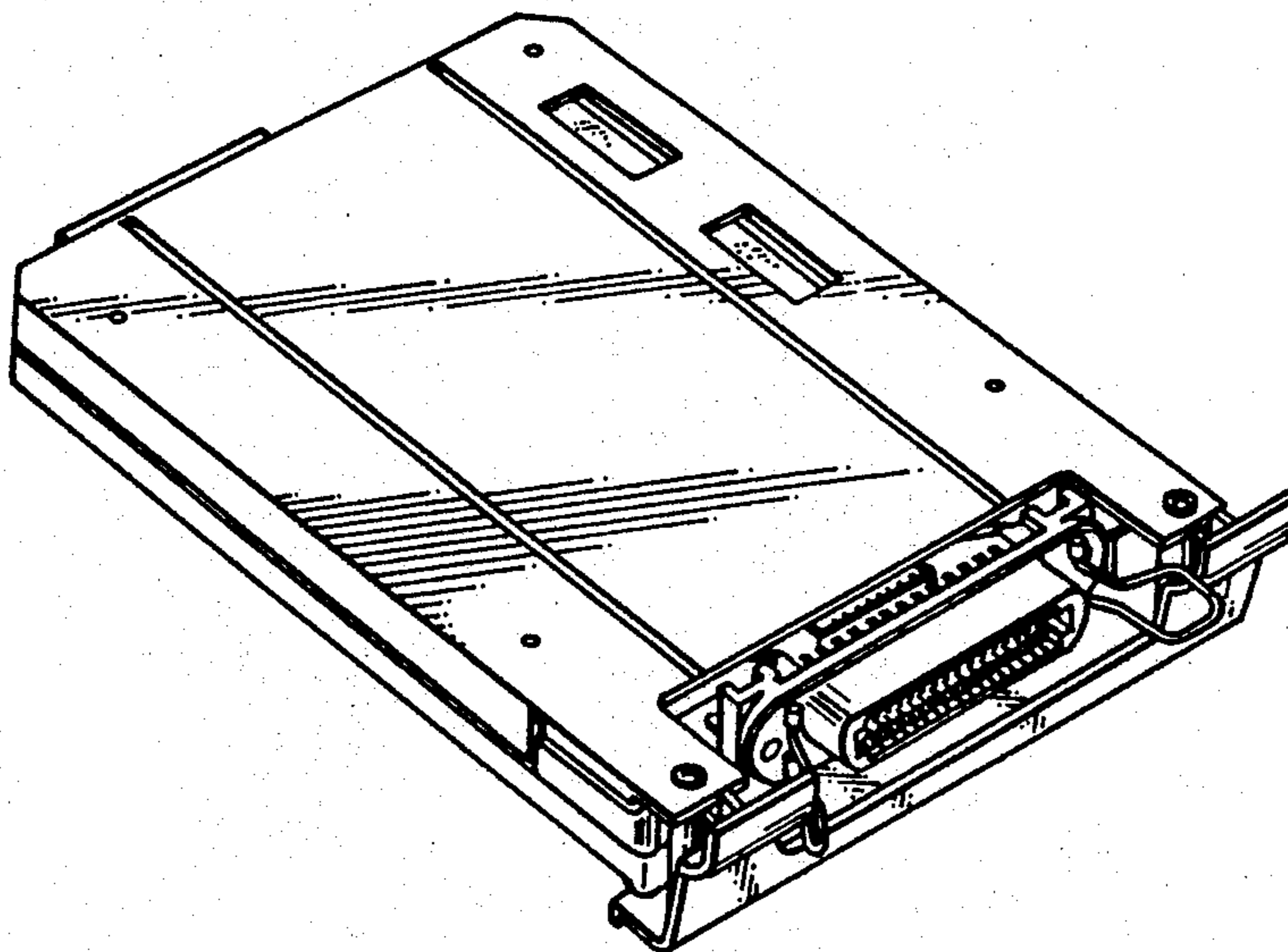


FIG. 1

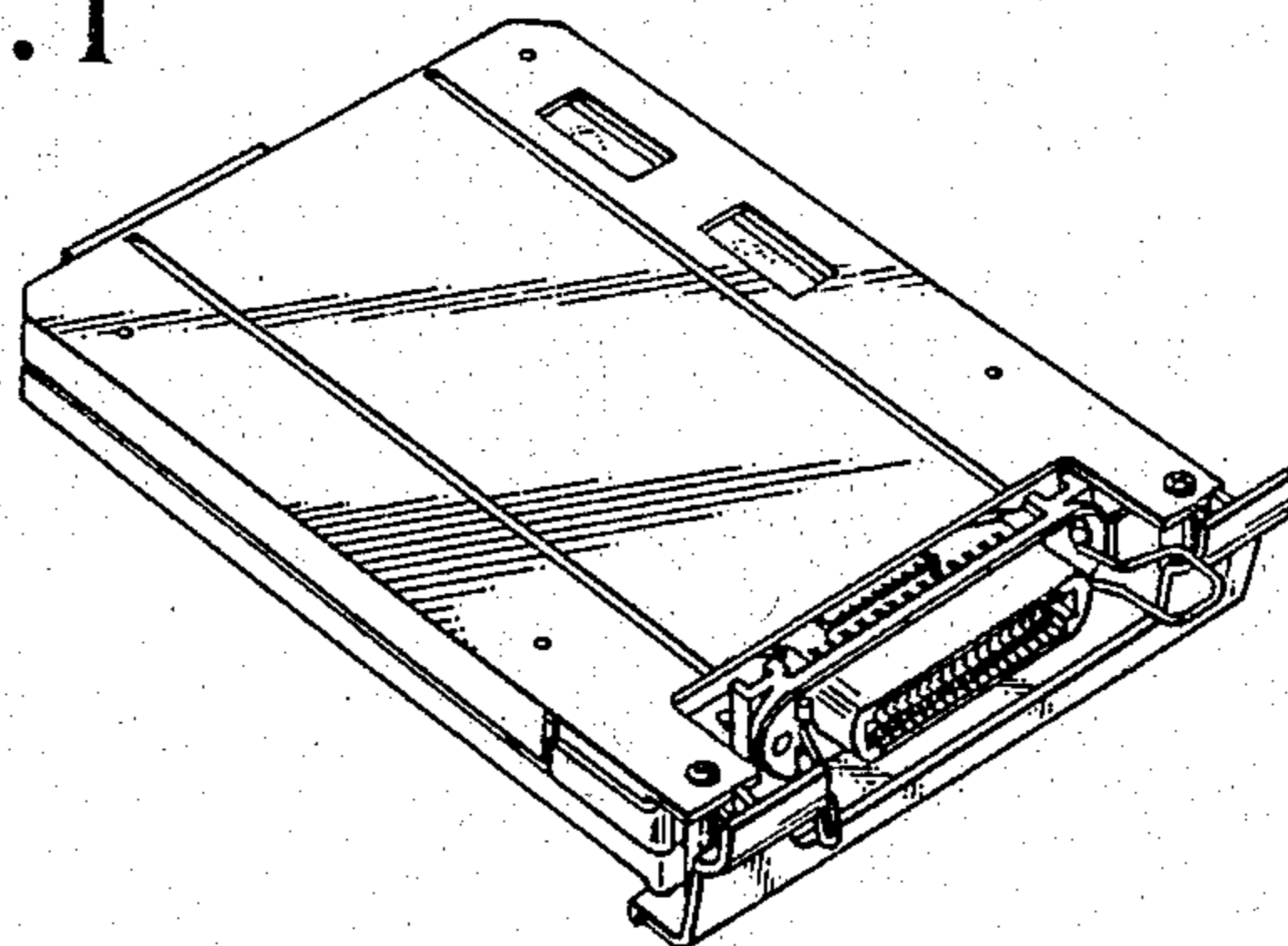


FIG. 2

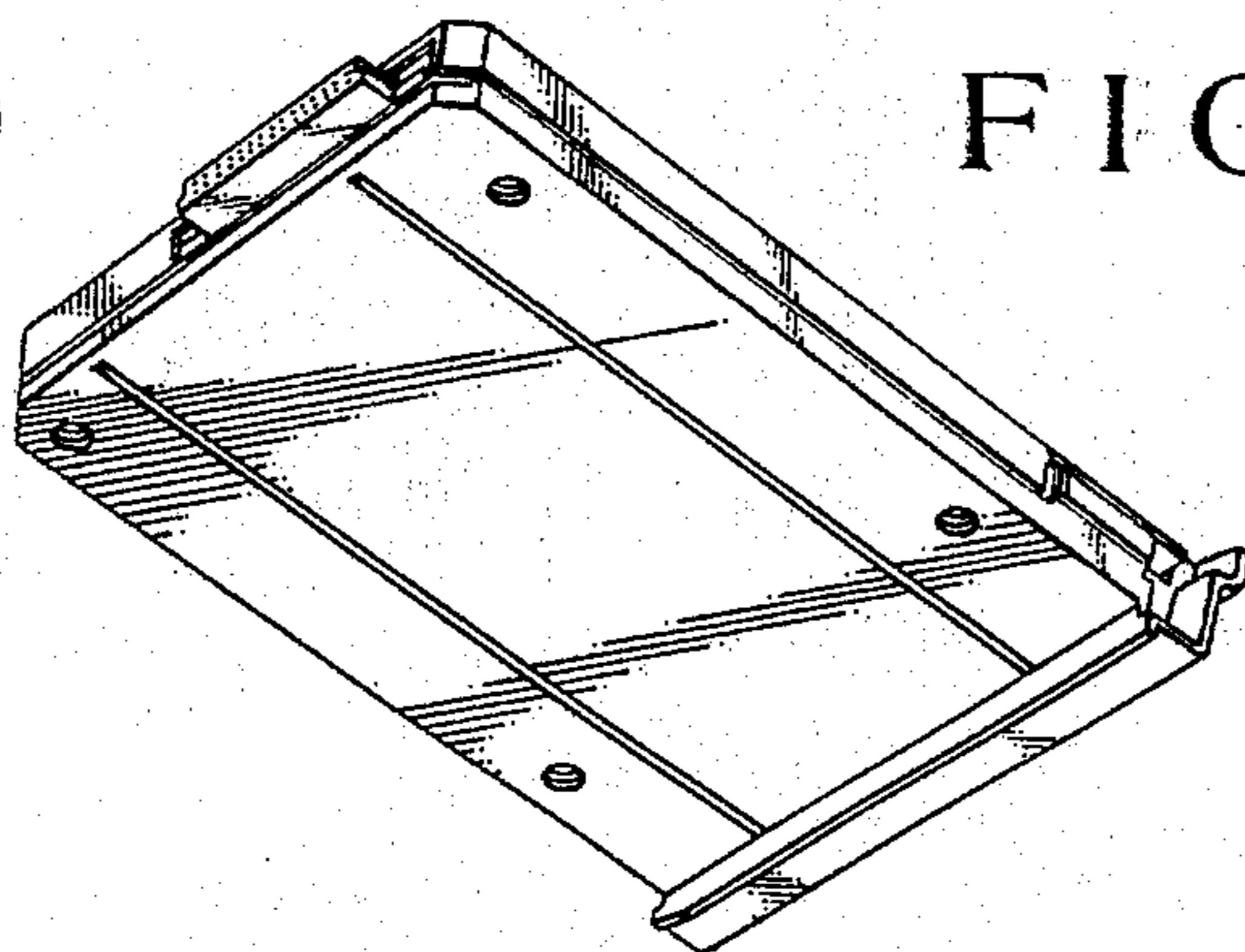


FIG. 3

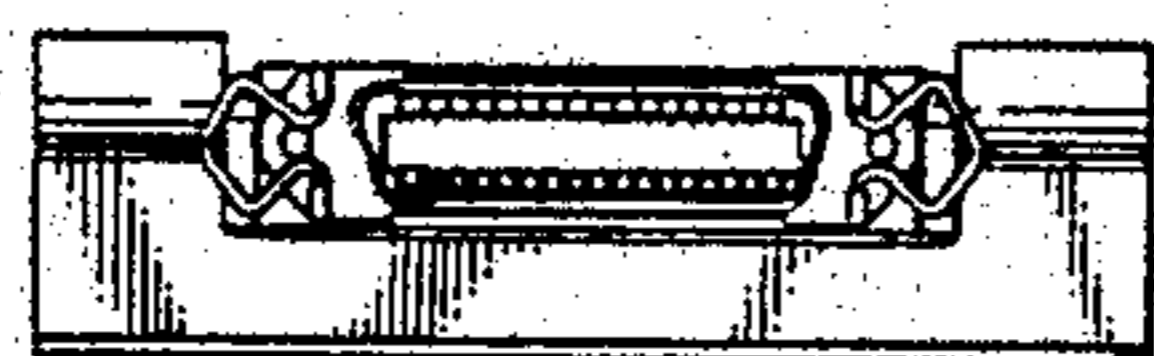


FIG. 4



FIG. 5

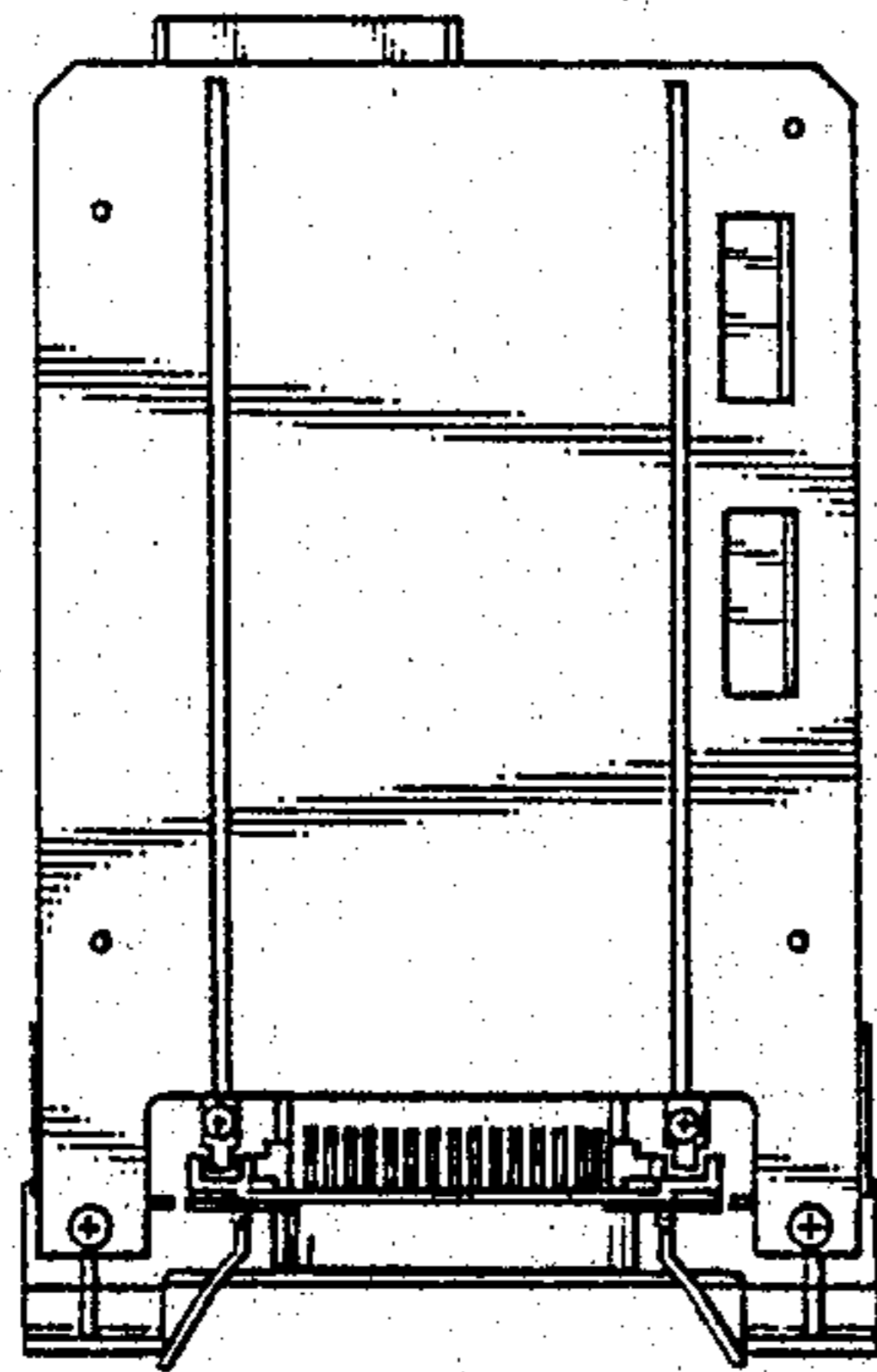


FIG. 6

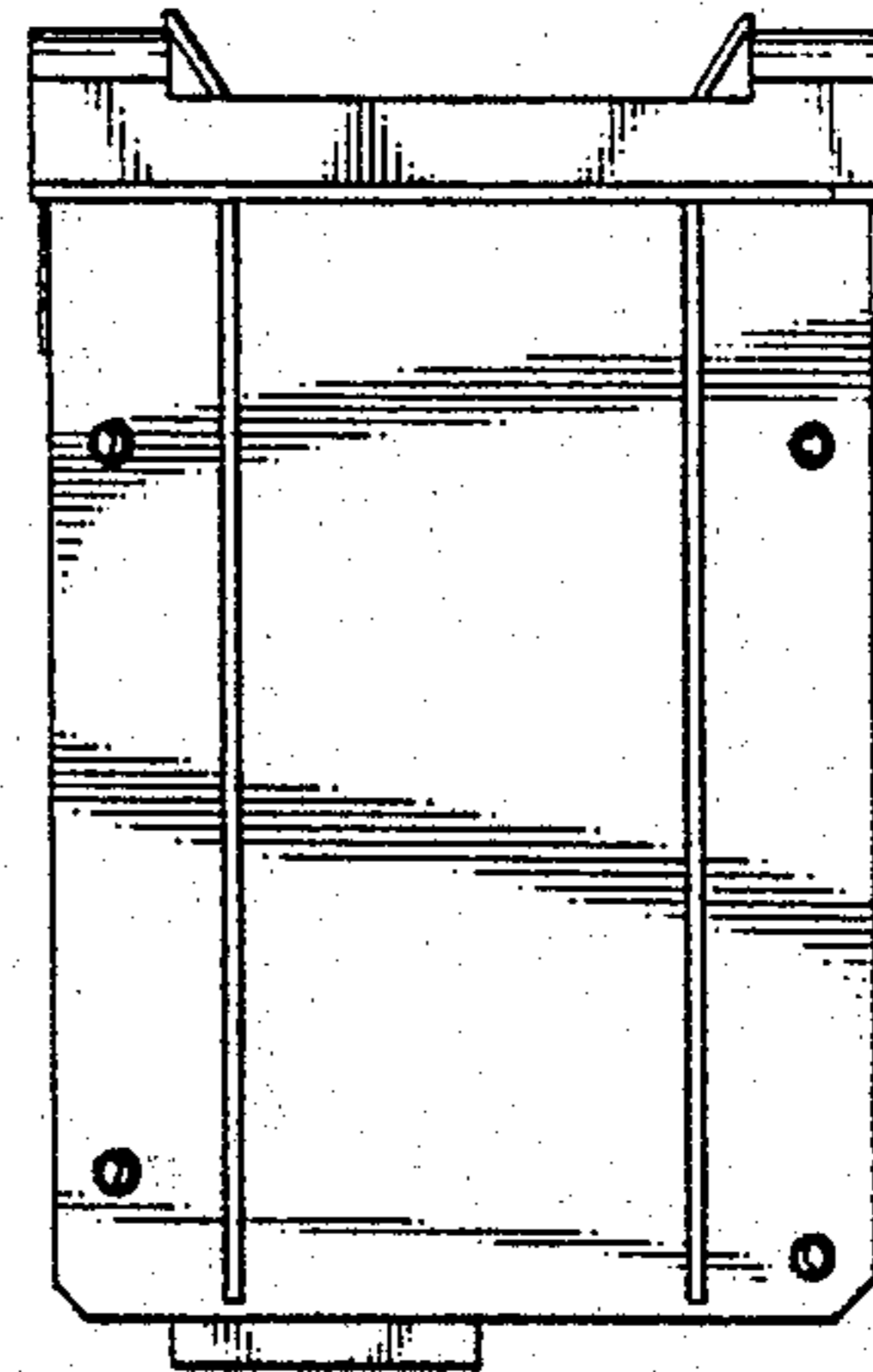


FIG. 7

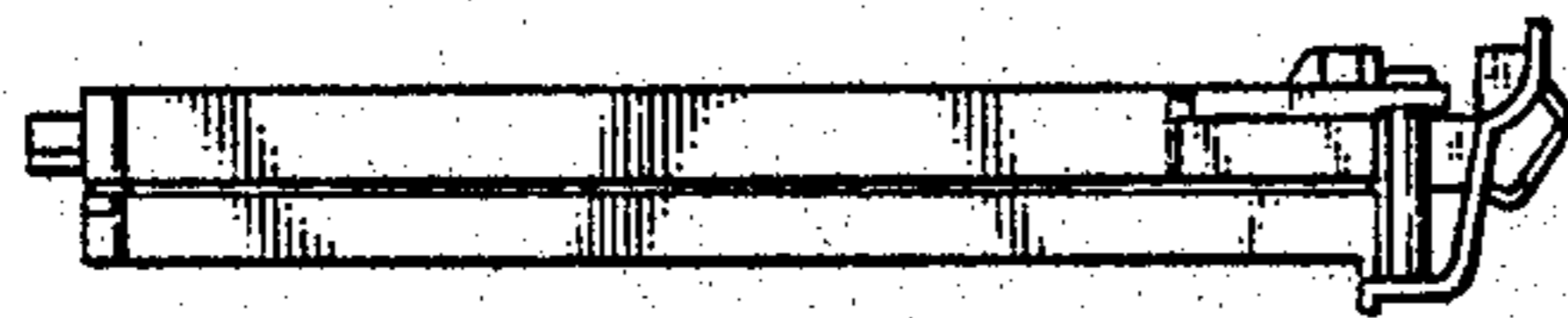


FIG. 8

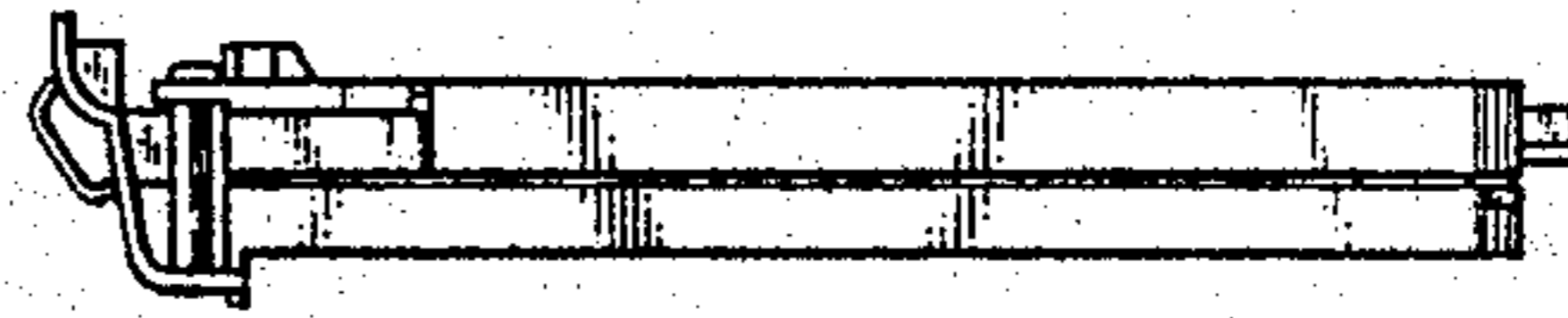


FIG. 9

