

[54] COMBINED CREDIT CARD AUTHORIZATION TERMINAL AND RAISED CREDIT CARD IMPRINTER

[75] Inventors: David A. Stark, Apple Valley, Minn.; Laurance F. Plaskan, West Bend, Wis.

[73] Assignee: DataCard Corporation, Minnetonka, Minn.

[**] Term: 14 Years

[21] Appl. No.: 832,161

[22] Filed: Feb. 26, 1986

[52] U.S. Cl. D14/105; D18/14

[58] Field of Search D14/100, 105, 106, 107, D14/114; D18/14, 15; 235/379, 380, 381, 382, 449, 454, 462, 470, 482; 101/252, 269

[56] References Cited

U.S. PATENT DOCUMENTS

- D. 218,991 10/1970 Allport D18/14
D. 225,376 12/1972 Yamamoto D18/14
D. 244,386 5/1987 Schaum et al. D14/105
D. 244,388 5/1977 Conway et al. D14/105
D. 289,819 5/1987 Long D14/105 X
3,763,777 10/1973 Brown 101/269
3,896,721 7/1975 See .
3,898,622 8/1975 Maynard et al. .
3,905,022 9/1975 Klosky et al. .
3,931,614 1/1976 Vasa et al. .
4,025,760 5/1977 Trenkamp .
4,031,518 6/1977 Holloran et al. .
4,106,062 8/1978 Foote .
4,678,895 7/1987 Tateisi et al. 235/380 X

OTHER PUBLICATIONS

Max brochure, Combined Authorization Terminal and Imprinter.

Mapp 100 brochure by Mastercard (2 pages).

Security 914 brochure (2 pages).
Security 919 brochure (2 pages).

Primary Examiner—Susan J. Lucas
Attorney, Agent, or Firm—Merchant, Gould, Smith, Edell, Welter & Schmidt

[57] CLAIM

The ornamental design for a combined credit card authorization terminal and raised credit card imprinter, as shown.

DESCRIPTION

FIG. 1 is a top front and left side perspective view of a combined credit card authorizational terminal and raised credit card imprinter showing our new design; FIG. 2 is a left side elevational view thereof on an enlarged scale.

FIG. 3 is a front elevational view thereof on an enlarged scale;

FIG. 4 is a top plan view thereof on an enlarged scale; FIG. 5 is a right side elevational view thereof on an enlarged scale;

FIG. 6 is a top, front, and left side perspective view of a second embodiment of our new design;

FIG. 7 is a front elevational view thereof on an enlarged scale;

FIG. 8 is a top plan view thereof on an enlarged scale;

FIG. 9 is a top, front, and left side perspective view of a third embodiment of our new design;

FIG. 10 is a left side elevational view thereof on an enlarged scale;

FIG. 11 is a front elevational view thereof on an enlarged scale;

FIG. 12 is a top plan view thereof on an enlarged scale;

FIG. 13 is a right side elevational view thereof on an enlarged scale.

The rear and bottom surfaces of the three embodiments are unornamented. The left and right sides of the second embodiment are identical to those of the first embodiment as shown in FIGS. 2 and 5.

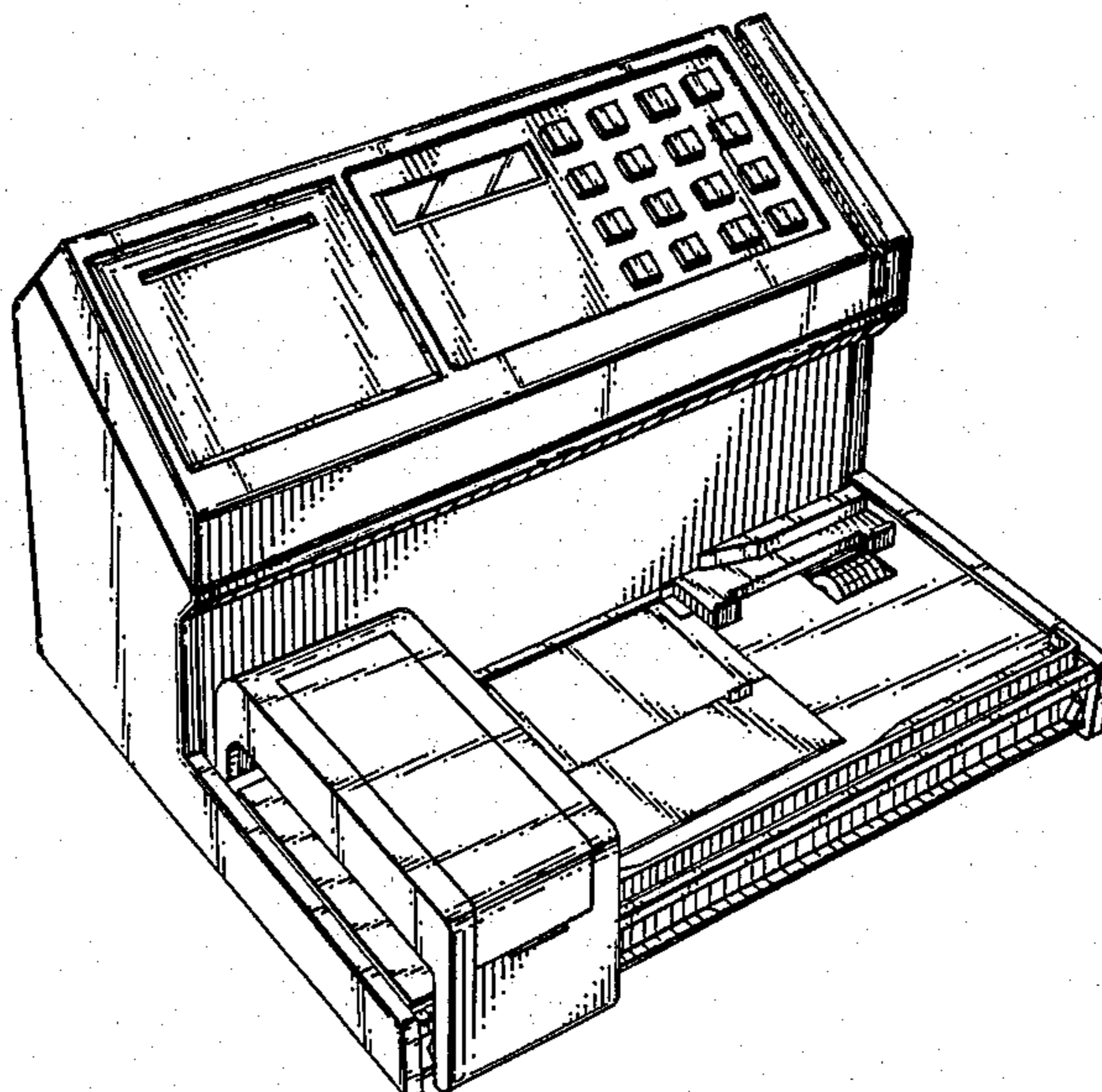


FIG. 1

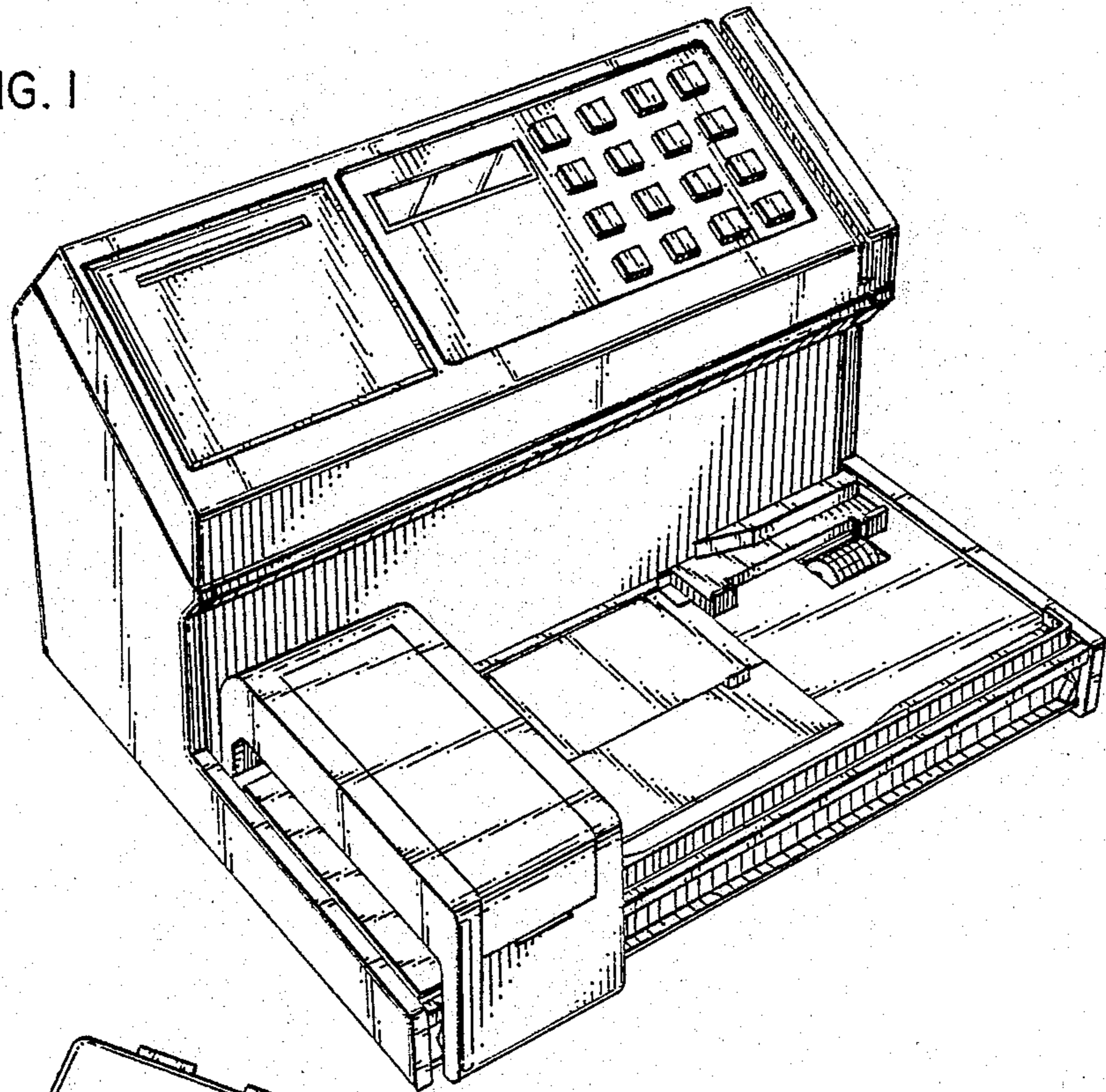


FIG. 2

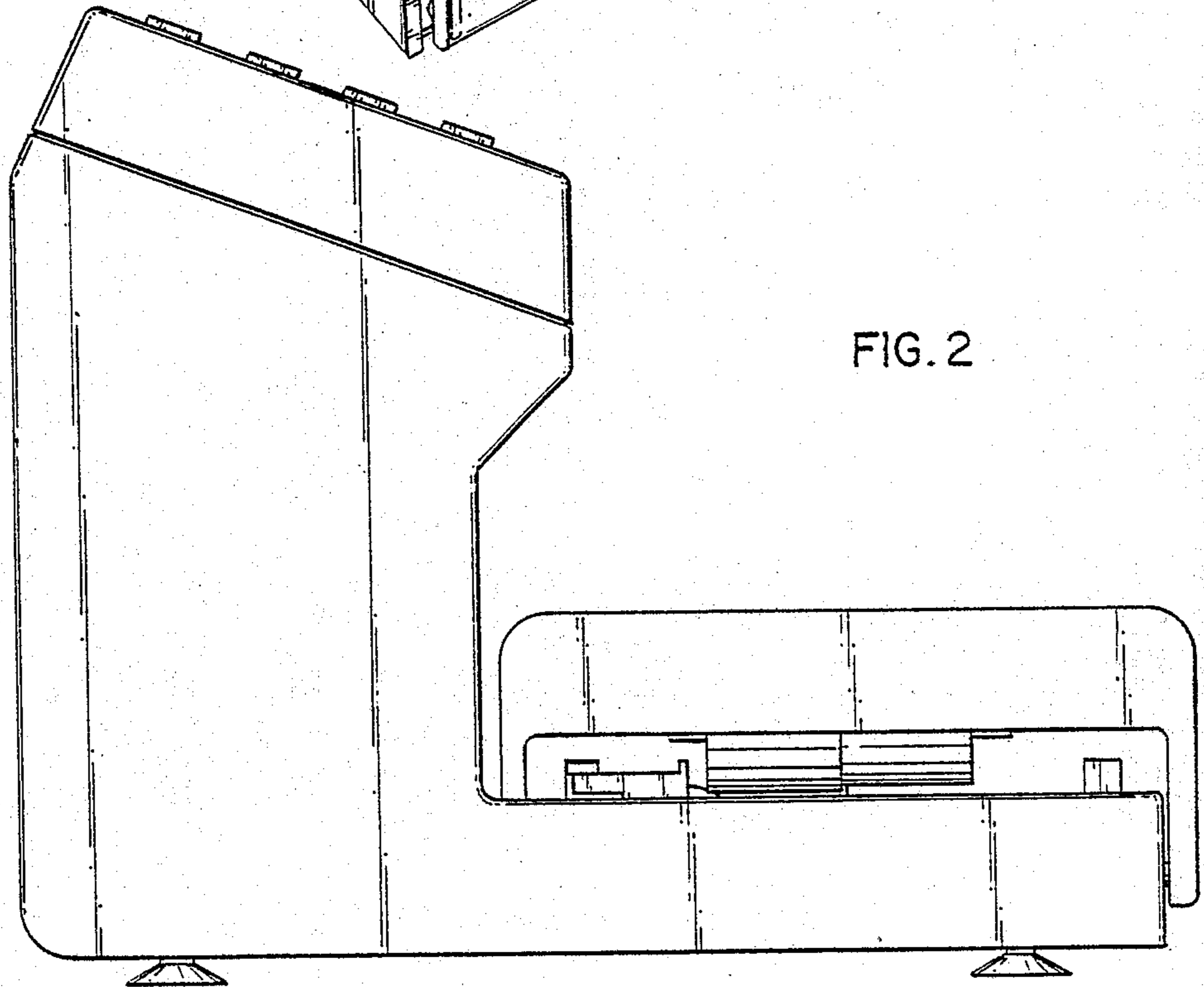
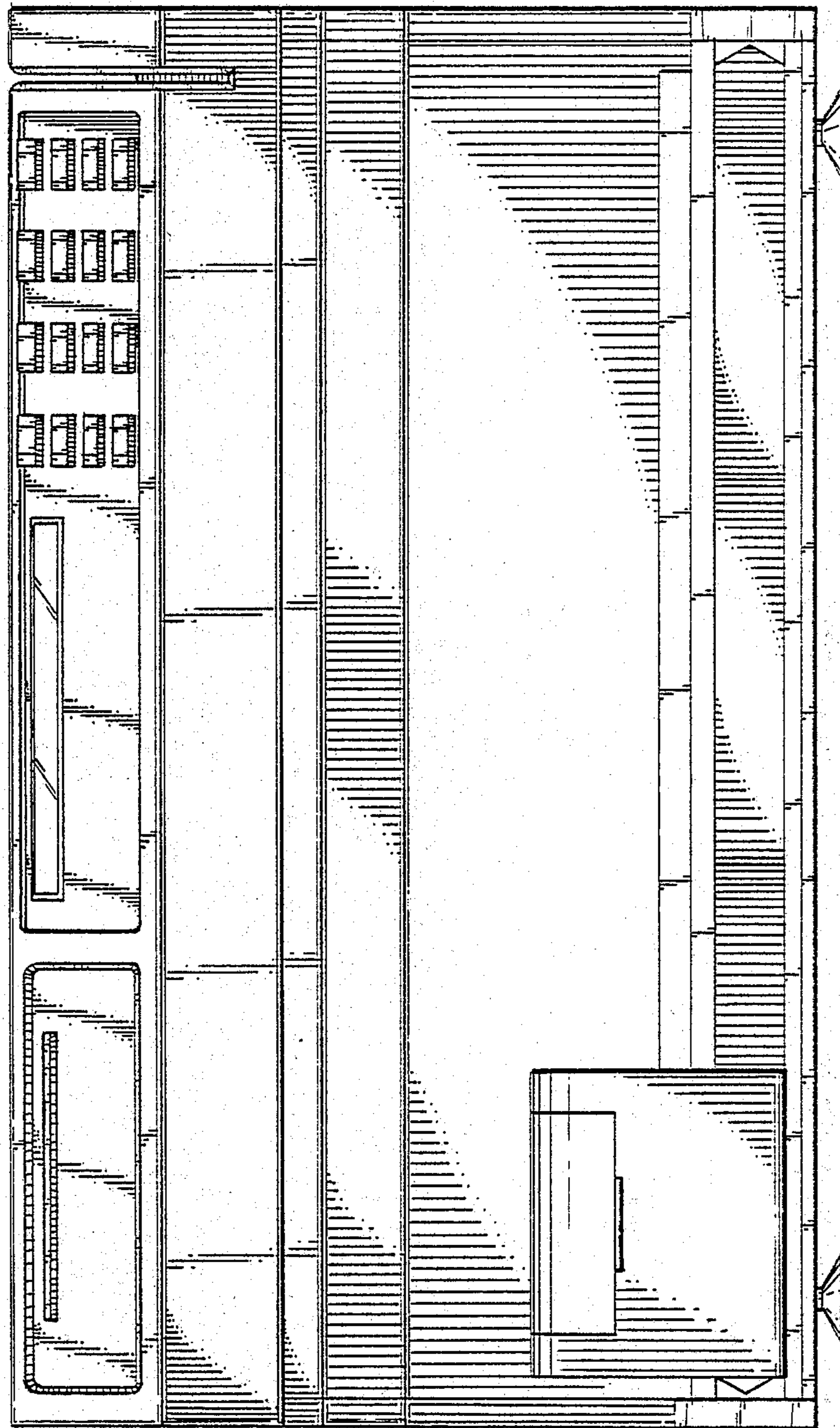


FIG. 3



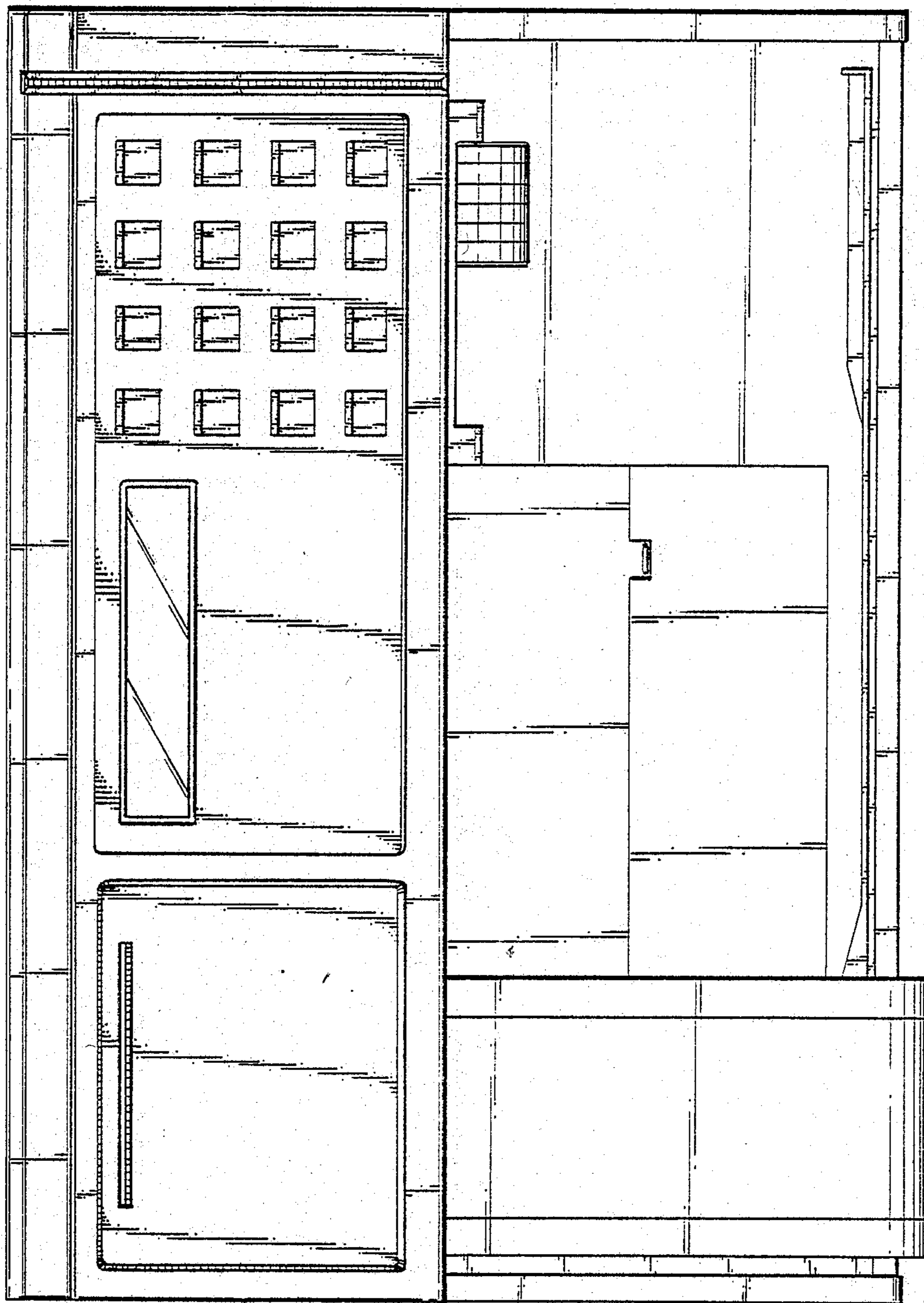


FIG. 4

FIG. 5

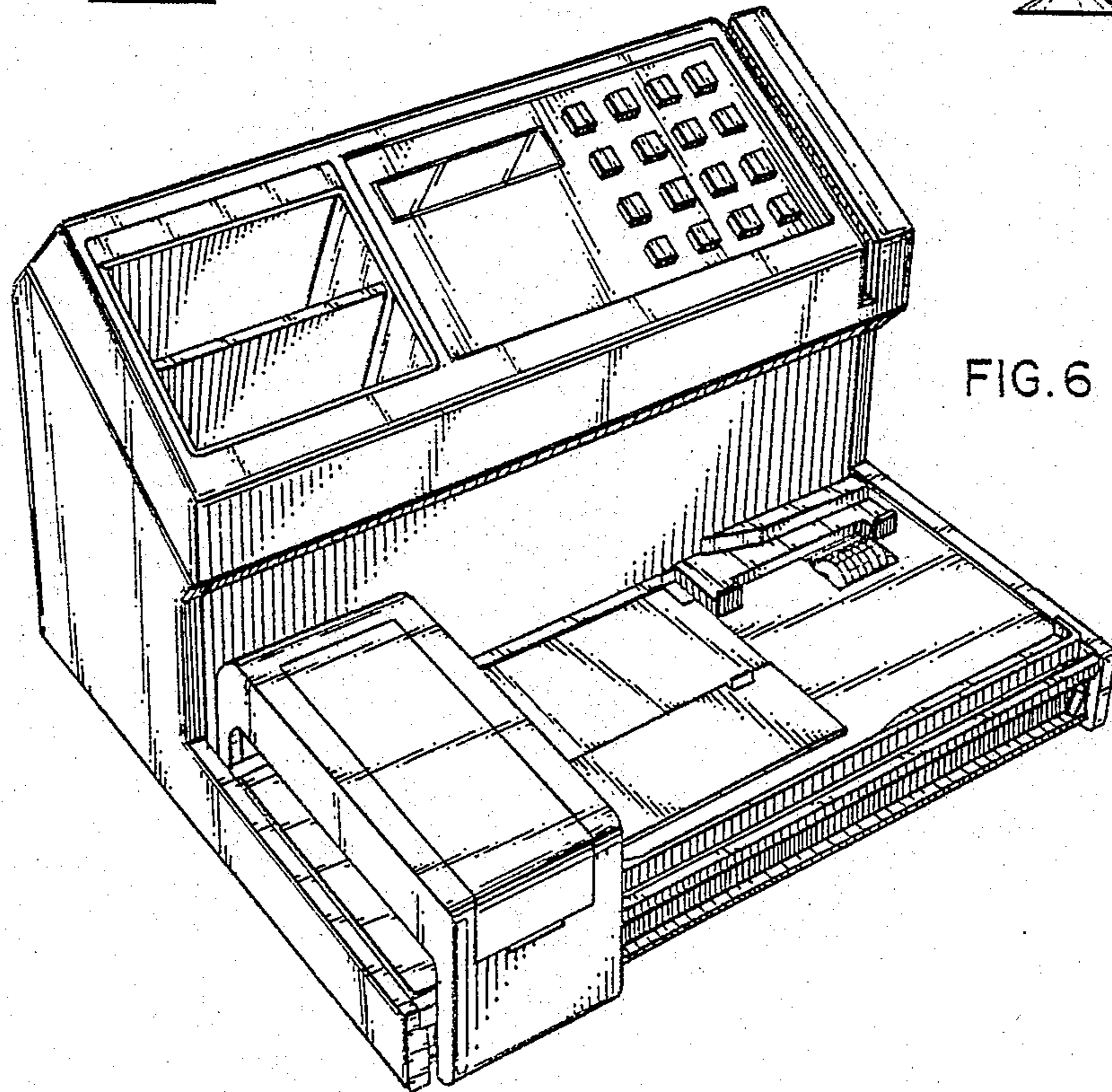
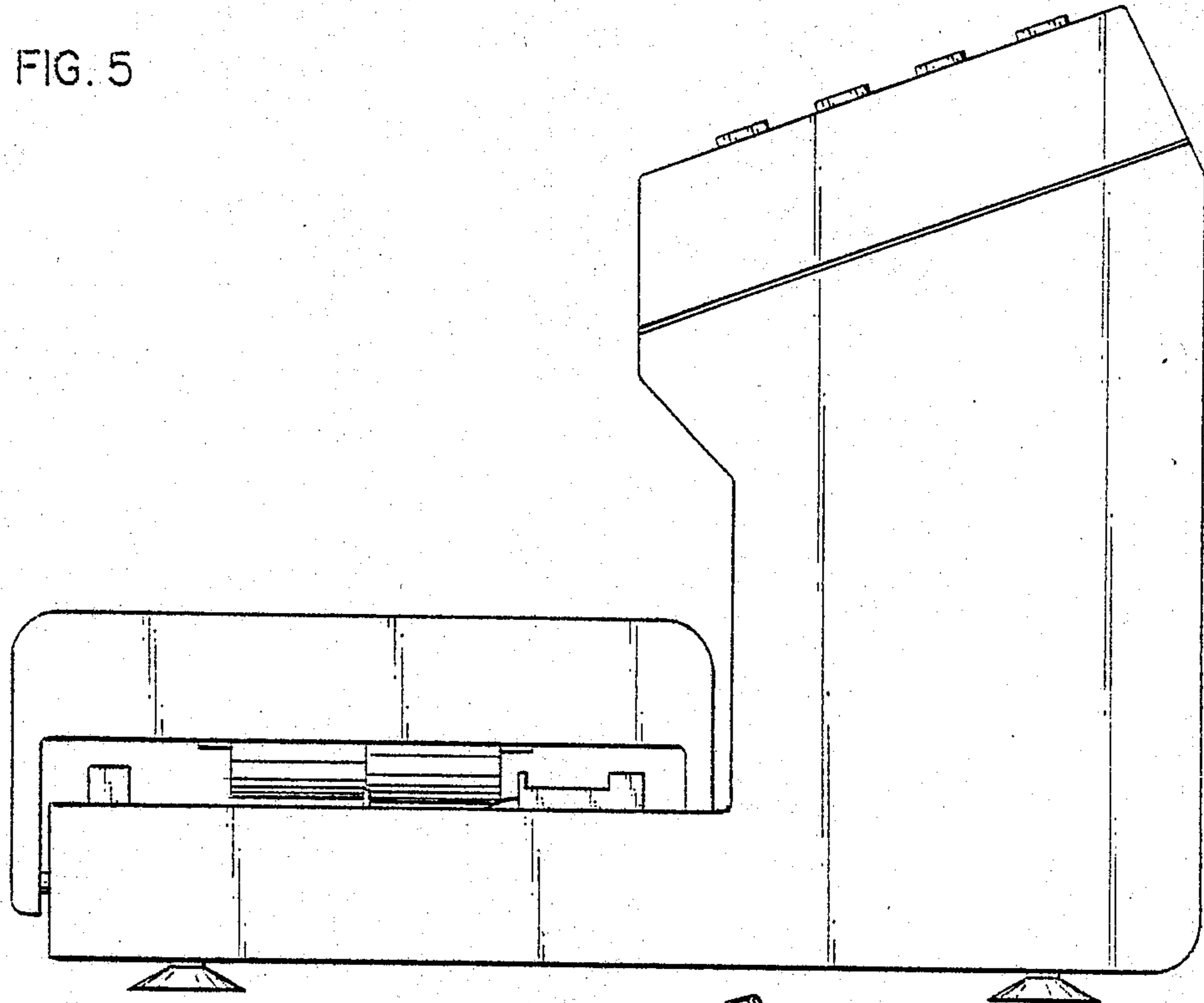
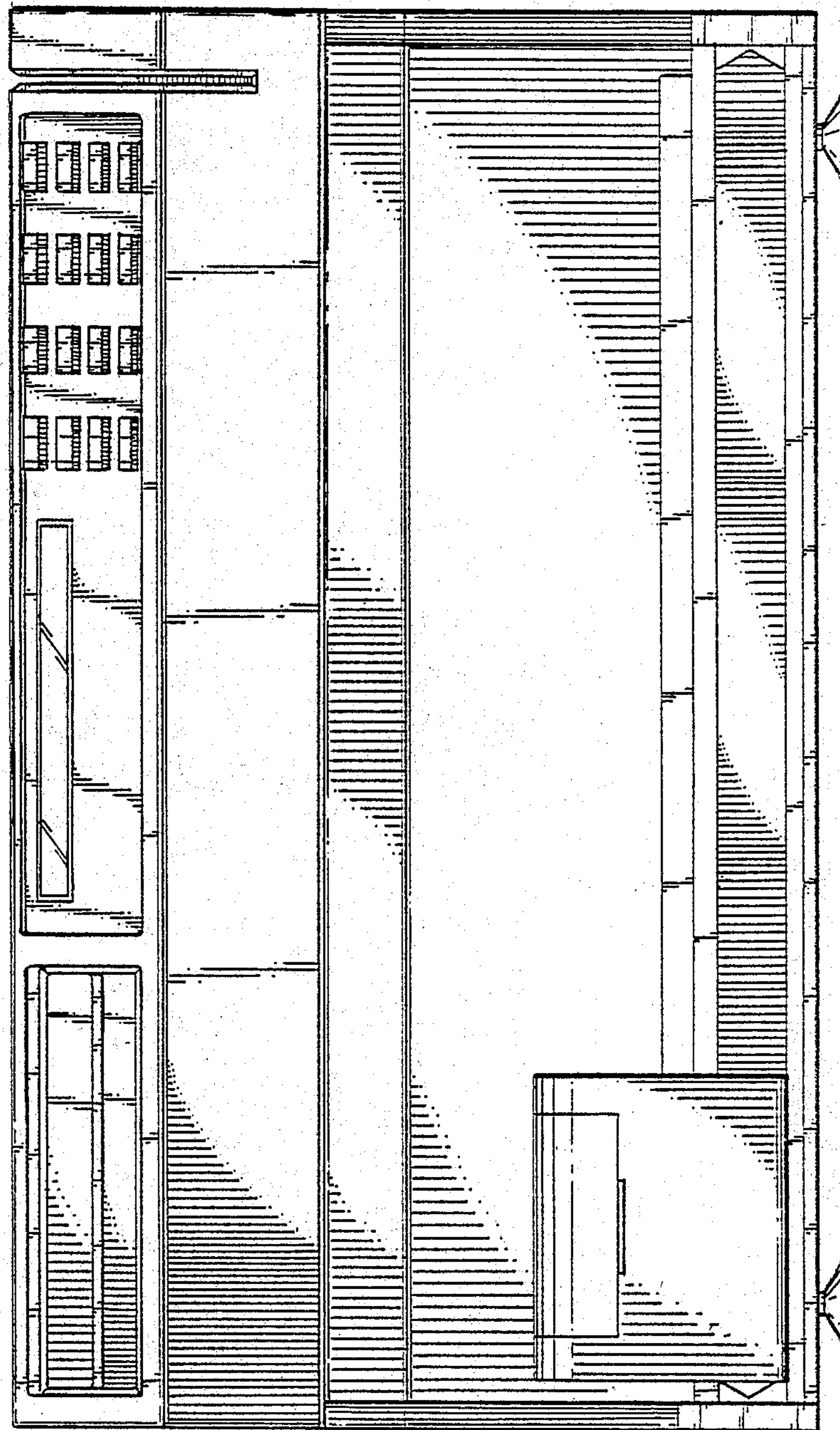


FIG. 6

FIG. 7



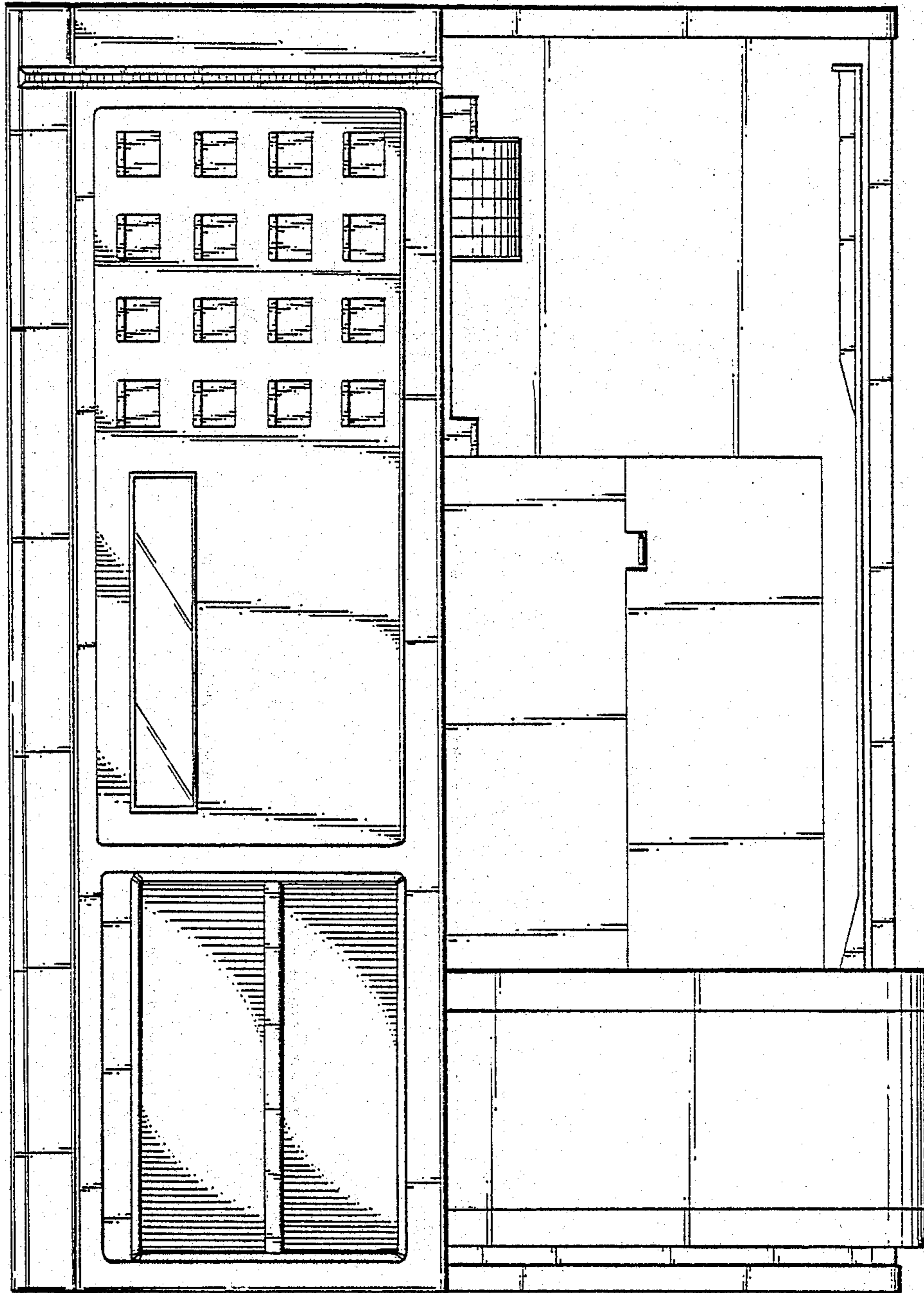


FIG. 8

FIG. 9

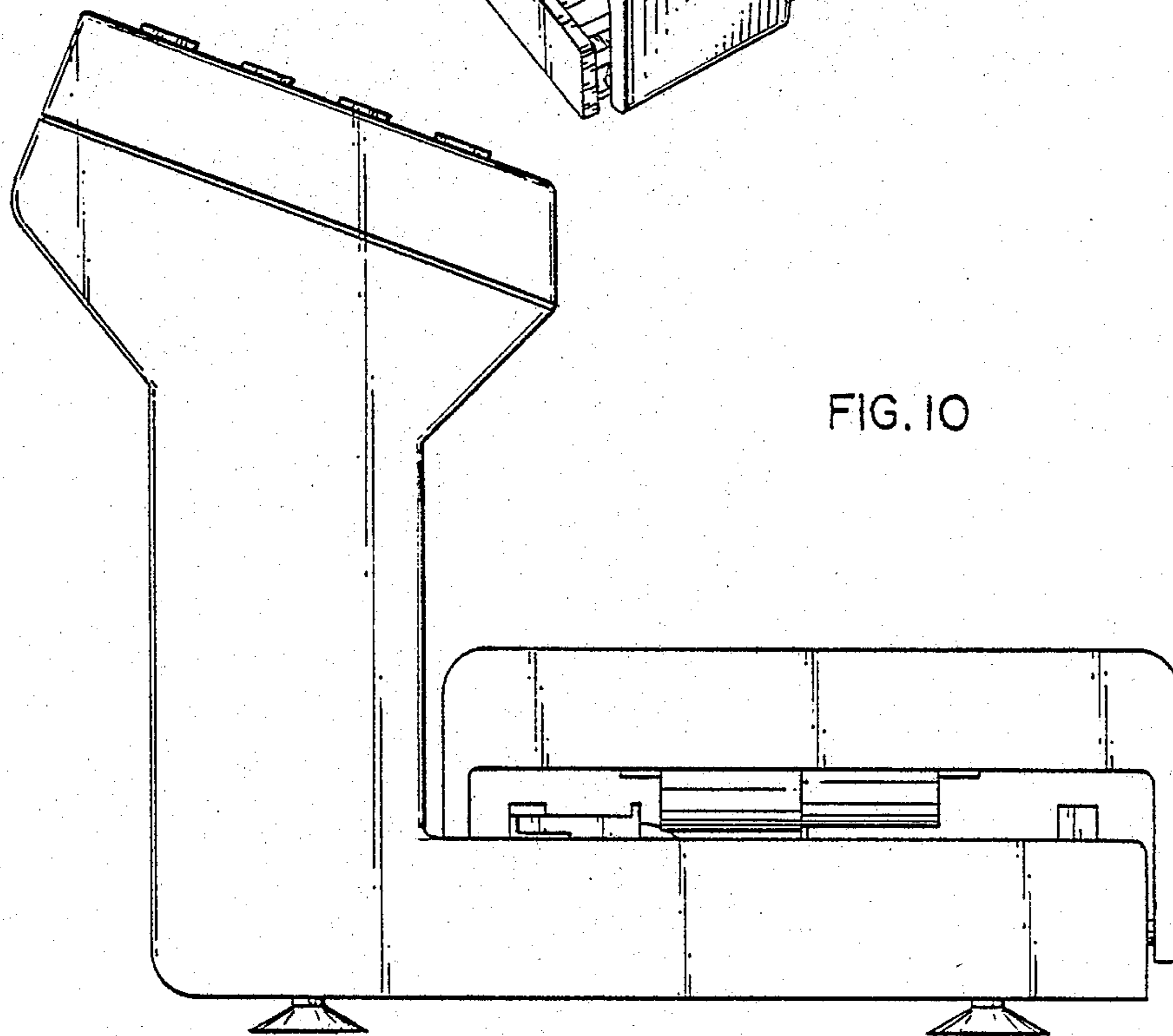
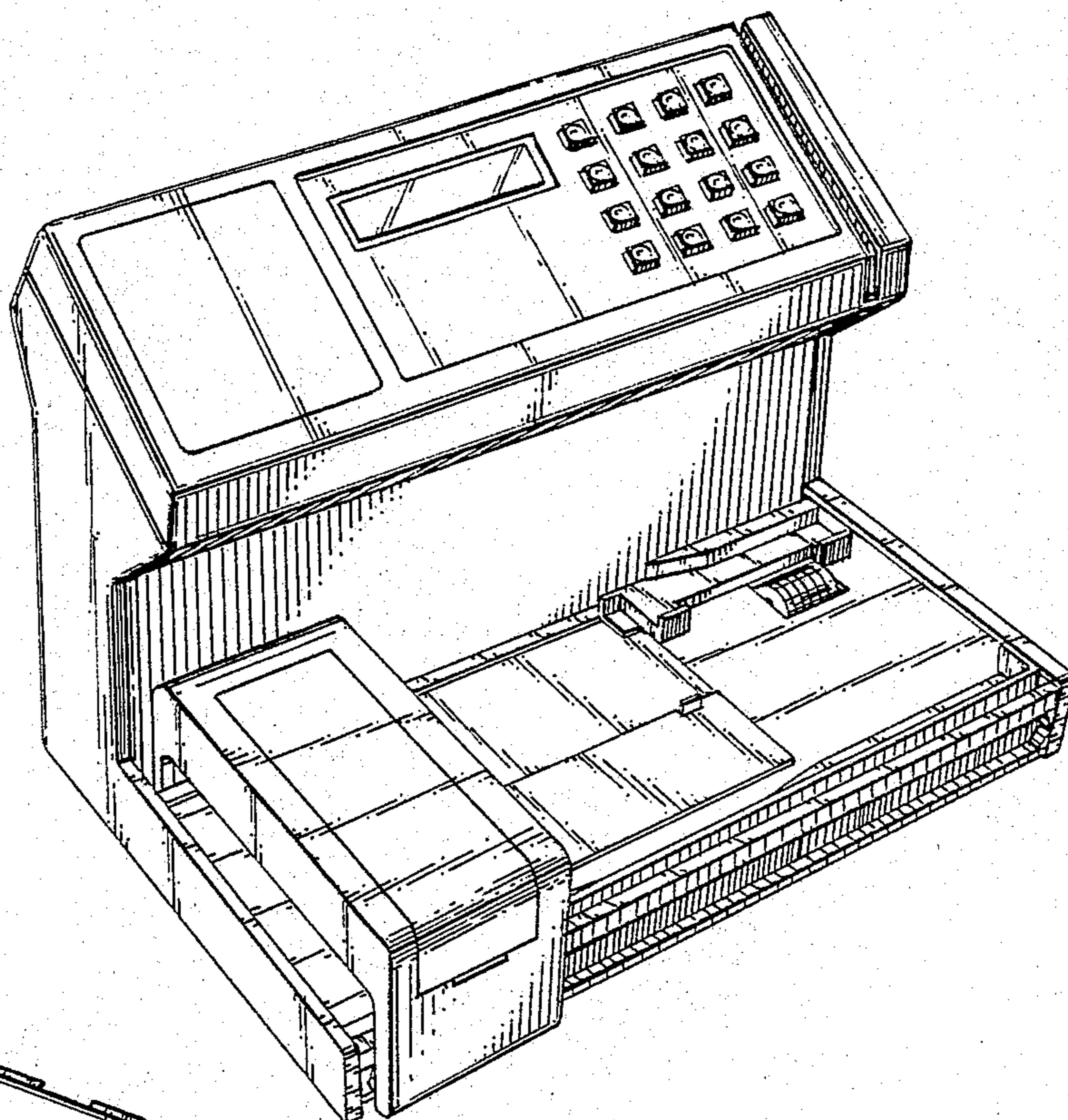
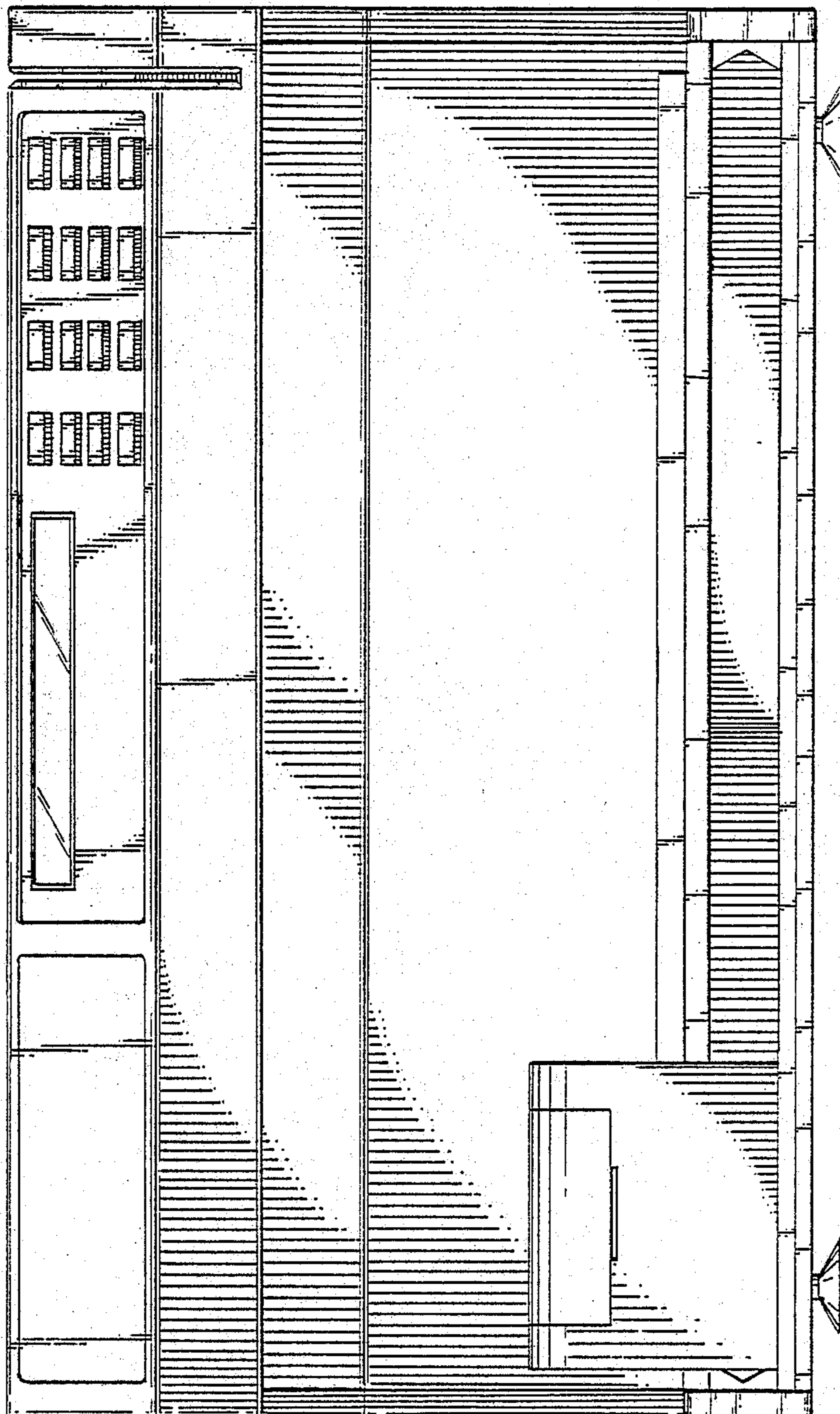


FIG. II



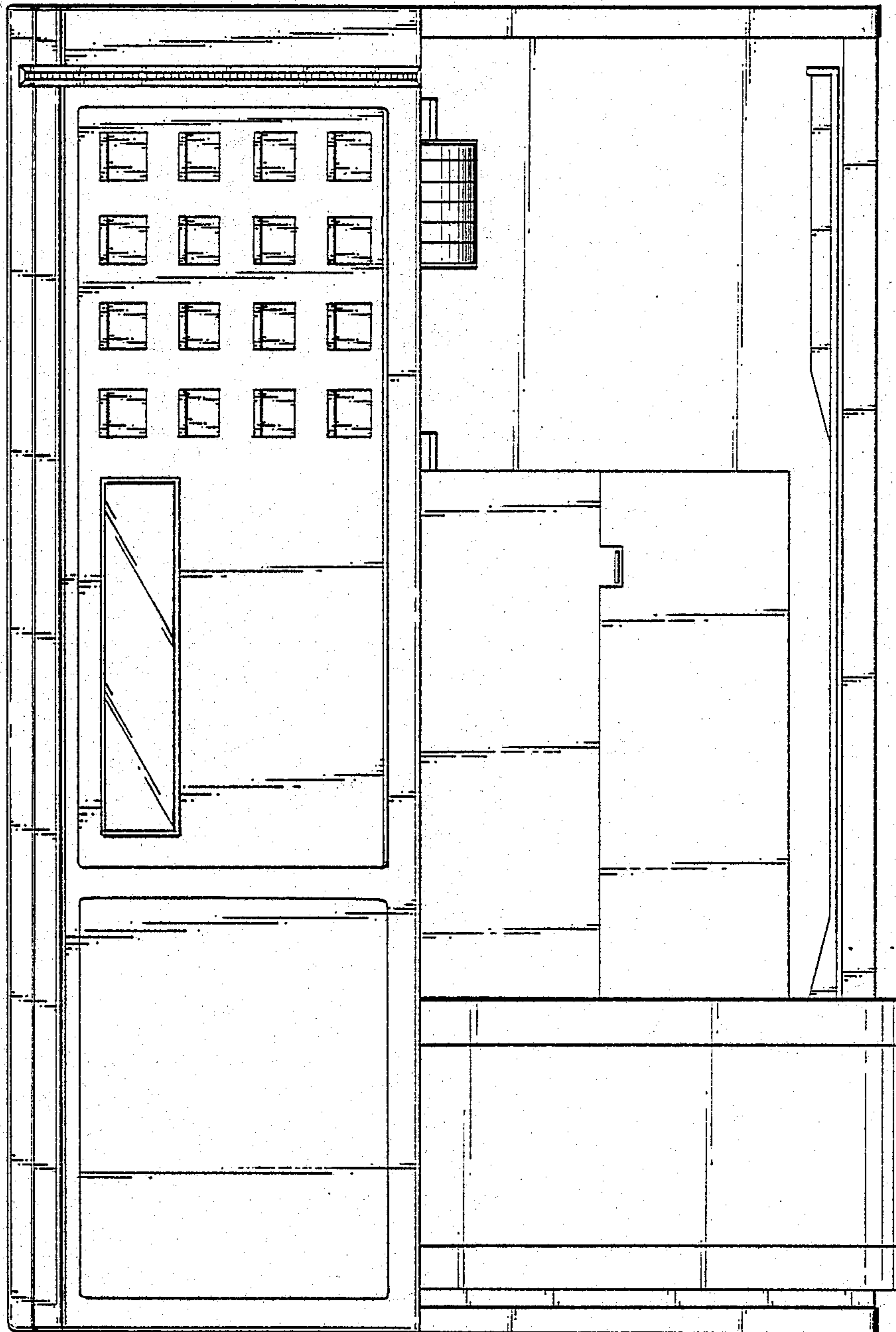
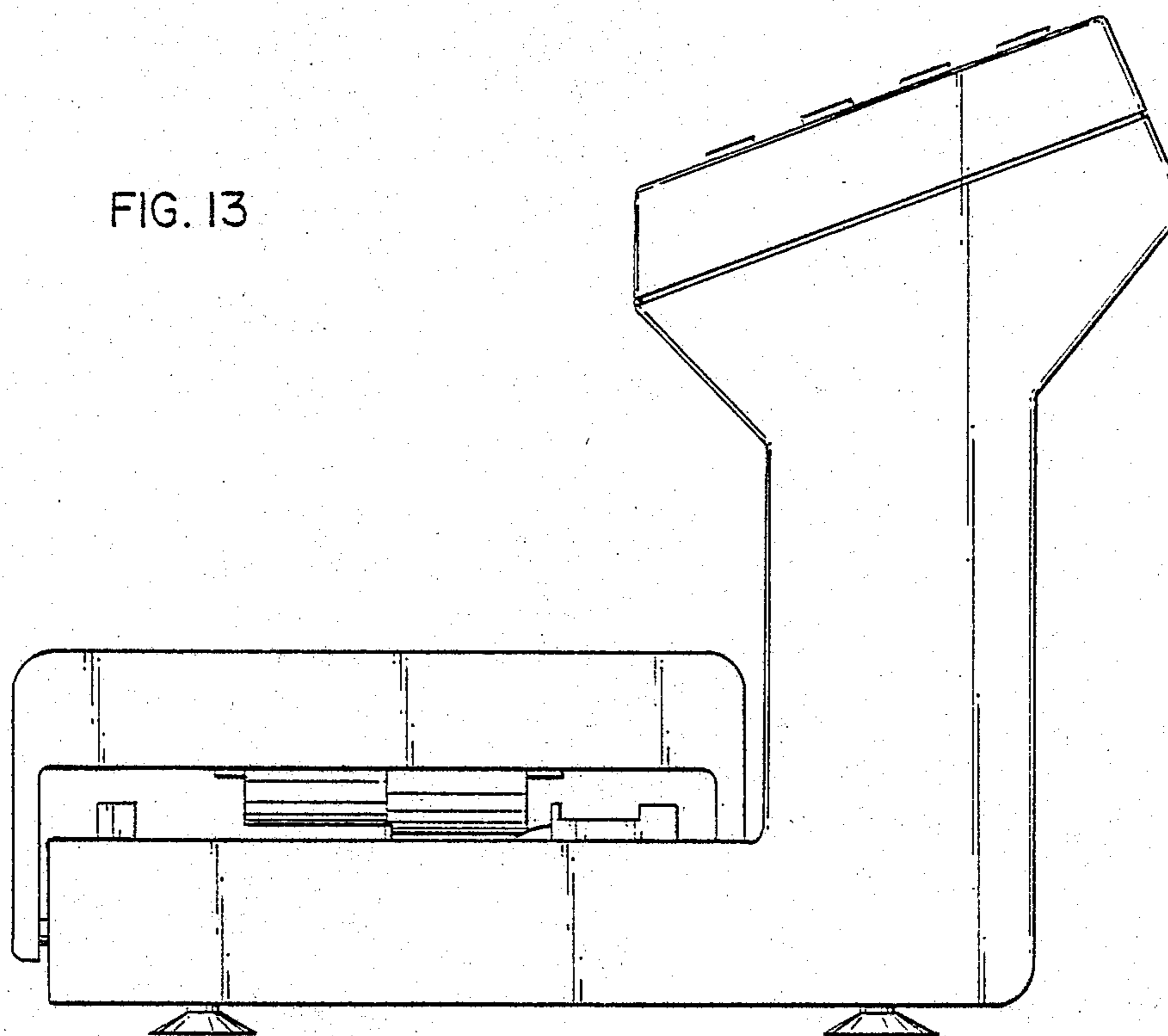


FIG. 12

FIG. 13



UNITED STATES PATENT AND TRADEMARK OFFICE
CERTIFICATE OF CORRECTION

PATENT NO. : Des. 298,626
DATED : November 22, 1988
INVENTOR(S) : Stark et al.

It is certified that error appears in the above-identified patent and that said Letters Patent is hereby corrected as shown below:

In the claim, line 3, after "shown" insert --and described--.

**Signed and Sealed this
Eighteenth Day of April, 1989**

Attest:

Attesting Officer

DONALD J. QUIGG

Commissioner of Patents and Trademarks