

[54] **BICYCLE CHAIN GUARD**
[75] **Inventor: David K. McMurtrey, Maysville, Ky.**
[73] **Assignee: Wald Manufacturing Co., Inc., Maysville, Ky.**
[**] **Term: 14 Years**
[21] **Appl. No.: 836,467**
[22] **Filed: Feb. 24, 1986**
[52] **U.S. Cl. D12/127; D12/211**
[58] **Field of Search D12/204, 209, 211, 127; 474/144, 160; 301/37 R, 37 SS, 37 P**

[56] **References Cited**
U.S. PATENT DOCUMENTS
D. 266,558 10/1982 Breen et al. D12/123
4,439,172 3/1984 Segawa 474/160

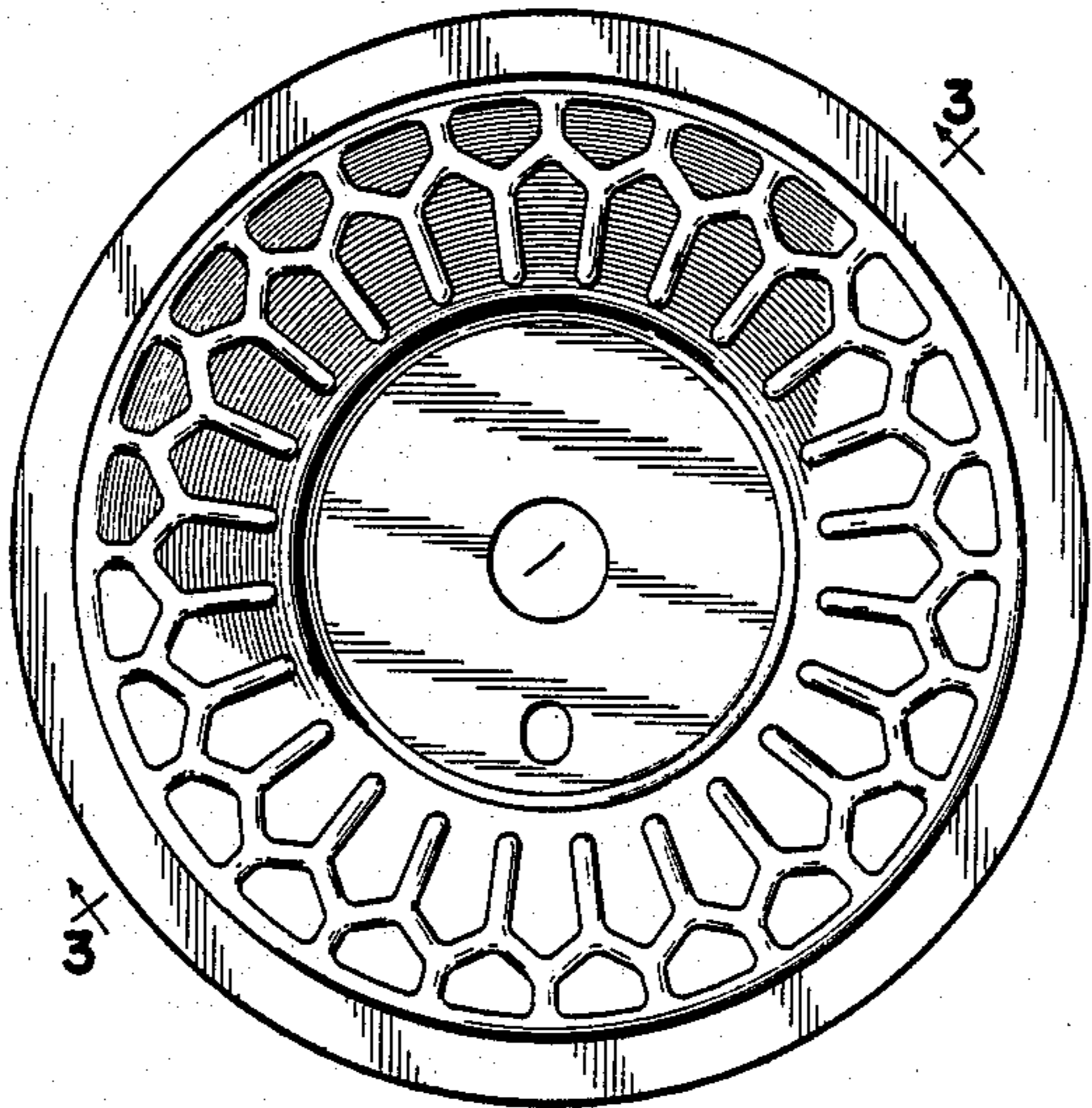
OTHER PUBLICATIONS
Page 621 of Sears 1985 Catalog (Spring/Summer)
Wheel Cover Nos. 9 & 10.

Brochure of Wilson Bicycle Sales, Inc. (1984) Spoke Protectors.
Japan's Bicycle Guide, vol. 29, 1979, p. 175, Spoke Discs.
Japan's Bicycle Guide, vol. 33, 1983, p. 230, Spoke Discs.
Brochure of Murray Moto-Cross New for '75", p. 7, Chain Guard.

Primary Examiner—James M. Gandy
Attorney, Agent, or Firm—Wood, Herron & Evans

[57] **CLAIM**
The ornamental design for a bicycle chain guard, as shown.

DESCRIPTION
FIG. 1 is a front elevational view of a bicycle chain guard showing my new design.
FIG. 2 is a top plan view.
FIG. 3 is a cross sectional view taken on line 3-3 of FIG. 1.
FIG. 4 is a rear elevational view thereof.



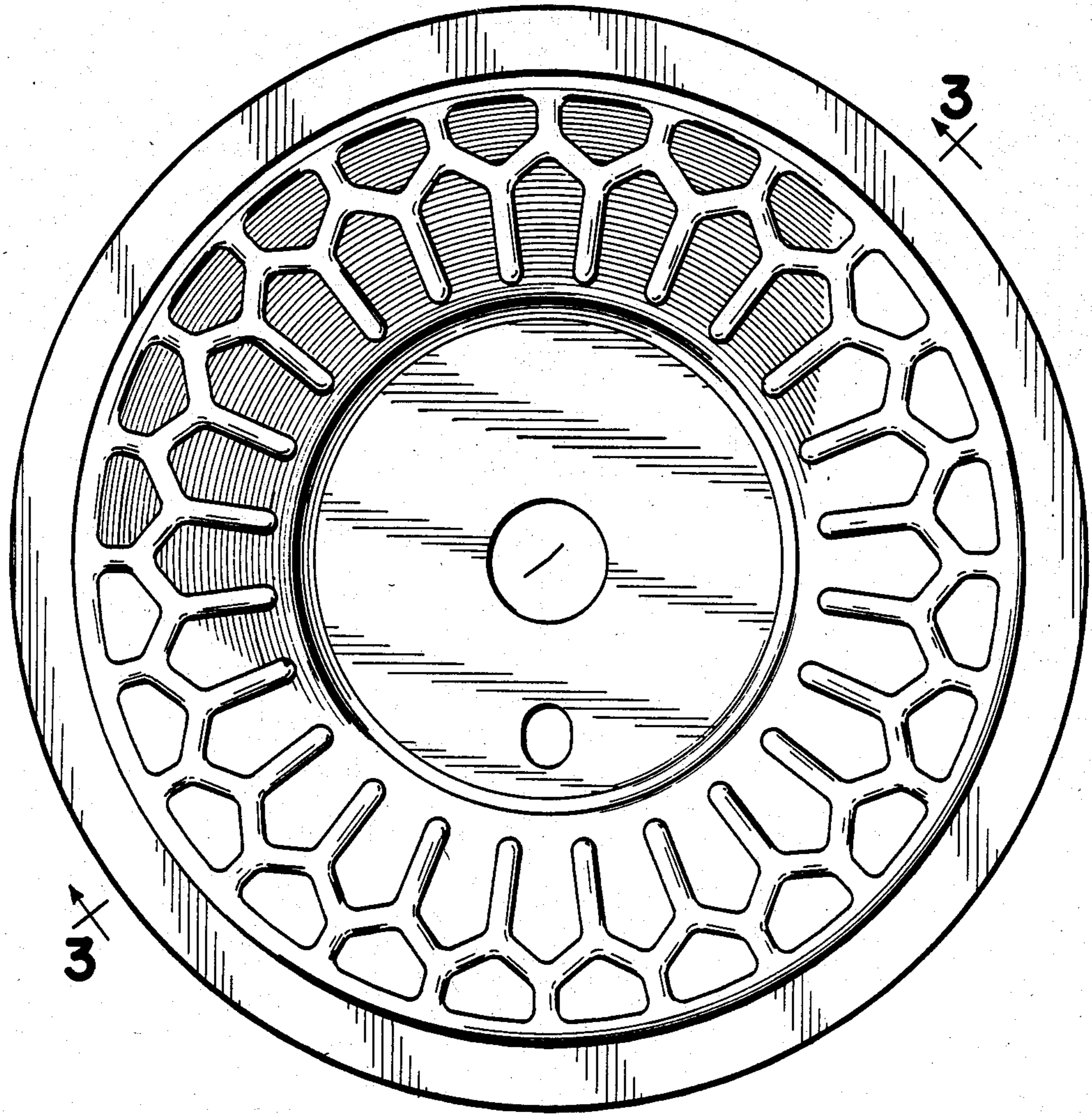


FIG. 1



FIG. 2



FIG. 3

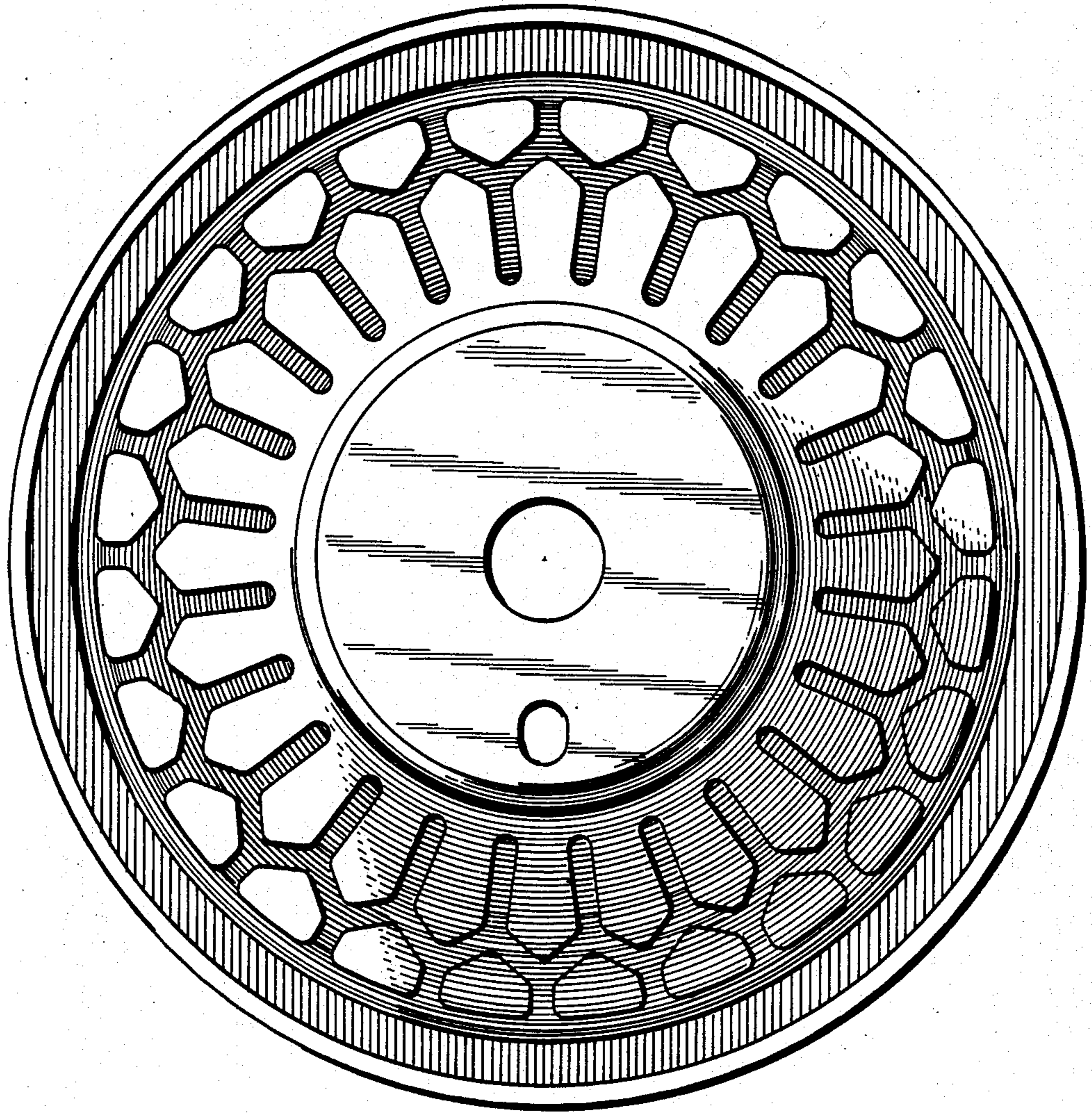


FIG. 4