

**United States Patent** [19]  
**Douglas**

[11] **Patent Number: Des. 298,612**  
[45] **Date of Patent: \*\* Nov. 22, 1988**

[54] **DUMPER TRUCK WITH JIB ATTACHMENT**

[76] **Inventor: Patrick J. Douglas, 2 School La.,  
Santon, Isle of Man, United  
Kingdom**

[\*\*] **Term: 14 Years**

[21] **Appl. No.: 827,051**

[22] **Filed: Feb. 7, 1986**

[30] **Foreign Application Priority Data**

Aug. 9, 1985 [GB] United Kingdom ..... 1028513

[52] **U.S. Cl. .... D12/15**

[58] **Field of Search ..... D12/15, 14, 1; 414/694,  
414/546, 551**

[56] **References Cited**

**U.S. PATENT DOCUMENTS**

2,954,885 10/1960 Sexton, Jr. .... 414/546

4,029,225	6/1977	Wirt .....	414/694
4,272,222	6/1981	Davis .....	414/694
4,274,797	6/1981	Coon .....	414/694
4,606,693	8/1986	Pizzirani .....	414/694

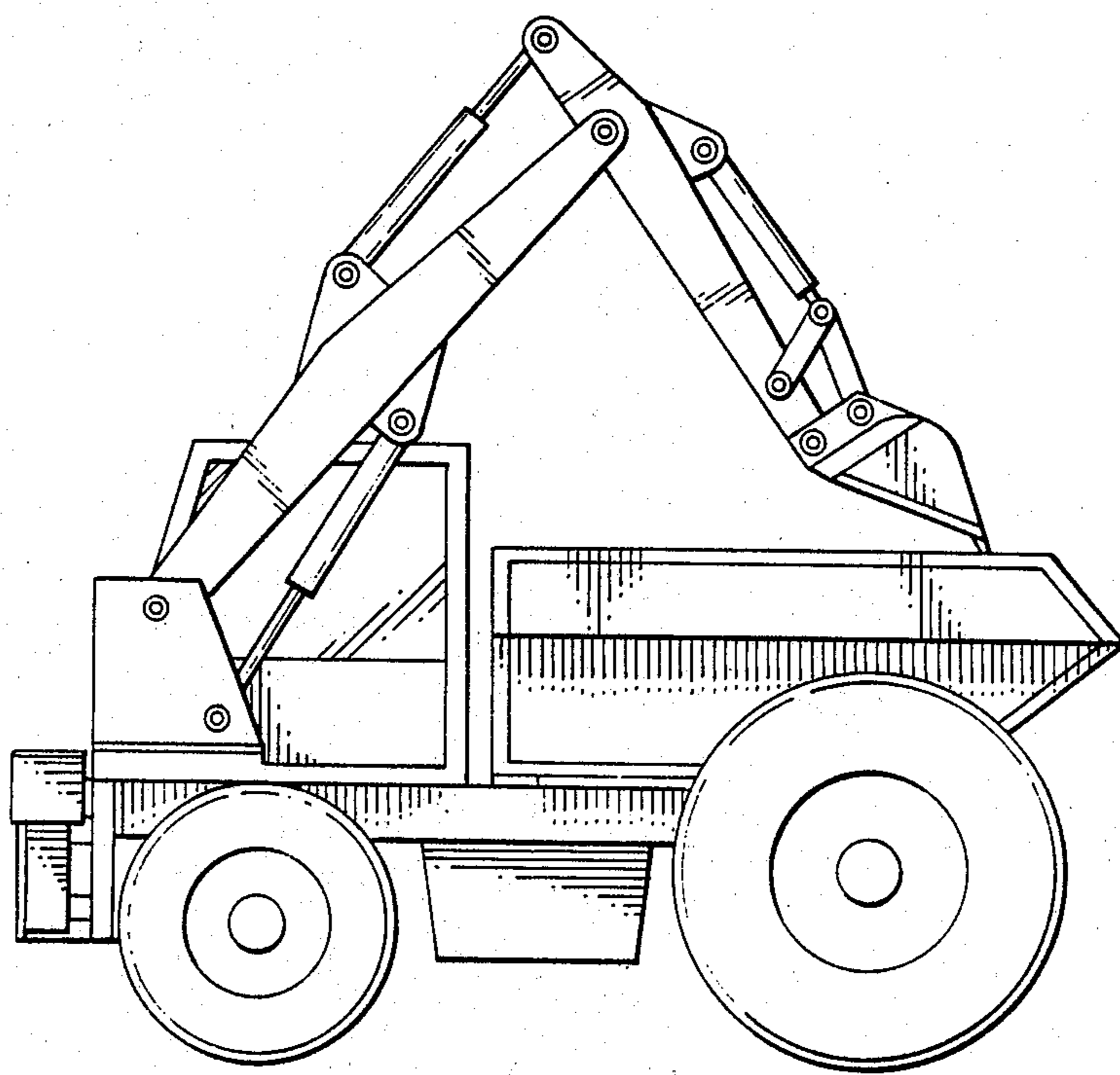
*Primary Examiner*—Wallace R. Burke  
*Assistant Examiner*—Kay H. Chin  
*Attorney, Agent, or Firm*—Mason, Fenwick and  
Lawrence

[57] **CLAIM**

The ornamental design for a dumper truck with jib attachment, as shown.

**DESCRIPTION**

FIG. 1 is a front elevational view of a dumper truck with jib attachment, showing my new design;  
FIG. 2 is a side elevational view thereof;  
FIG. 3 is a rear elevational view thereof;  
FIG. 4 is a side elevational view of the opposite side to that shown in FIG. 2;  
FIG. 5 is a top plan view thereof.



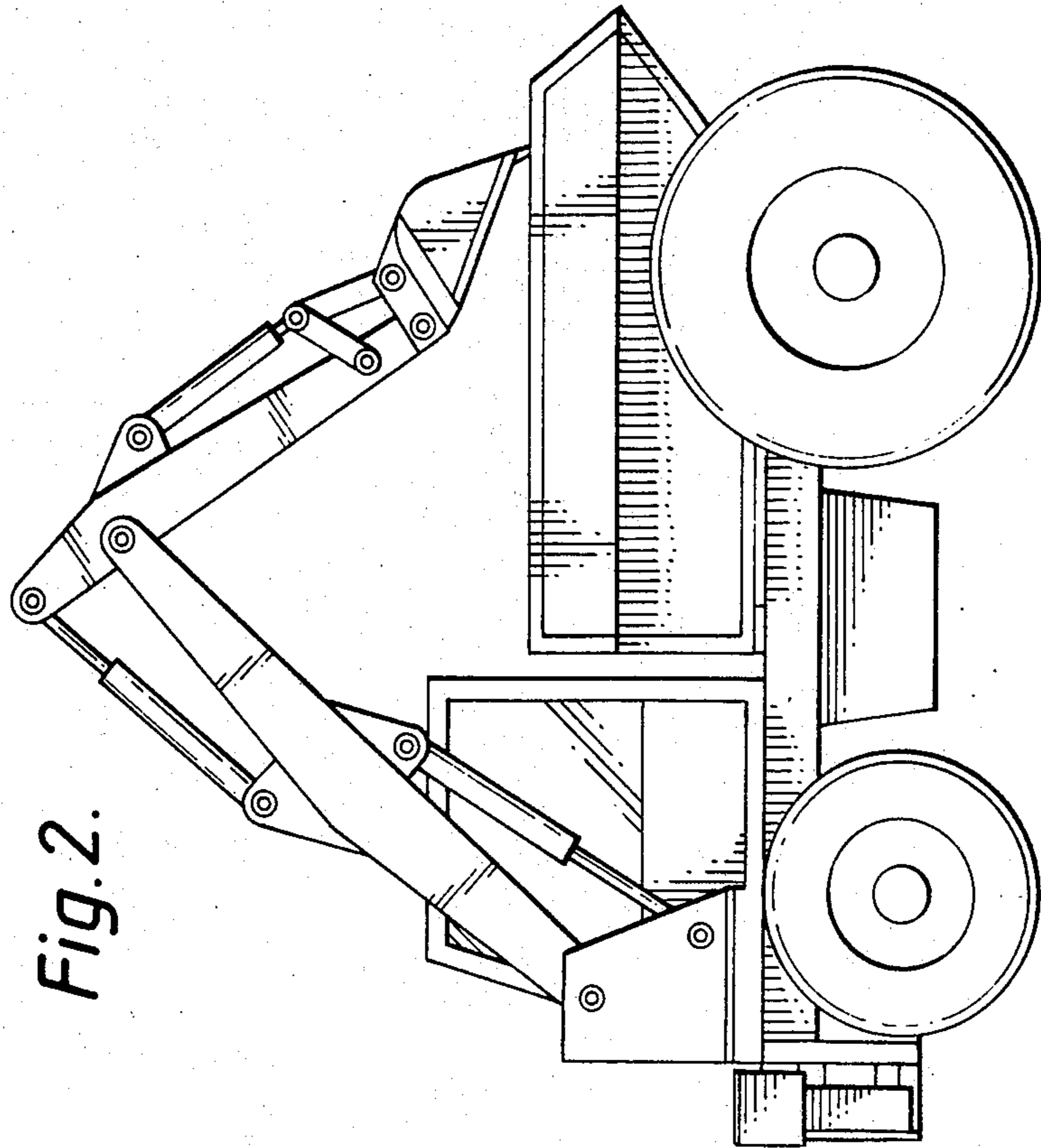


Fig. 2.

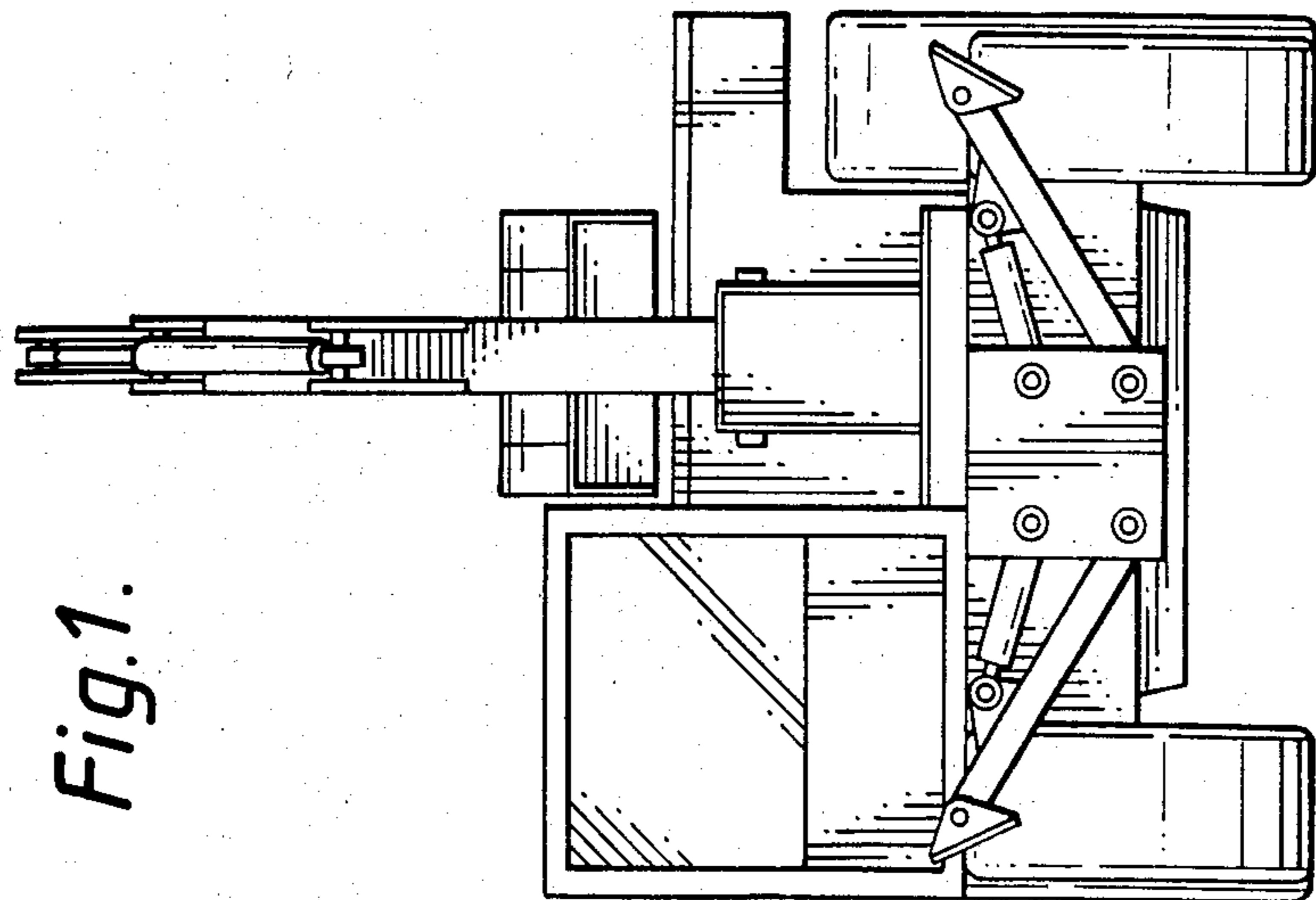


Fig. 1.

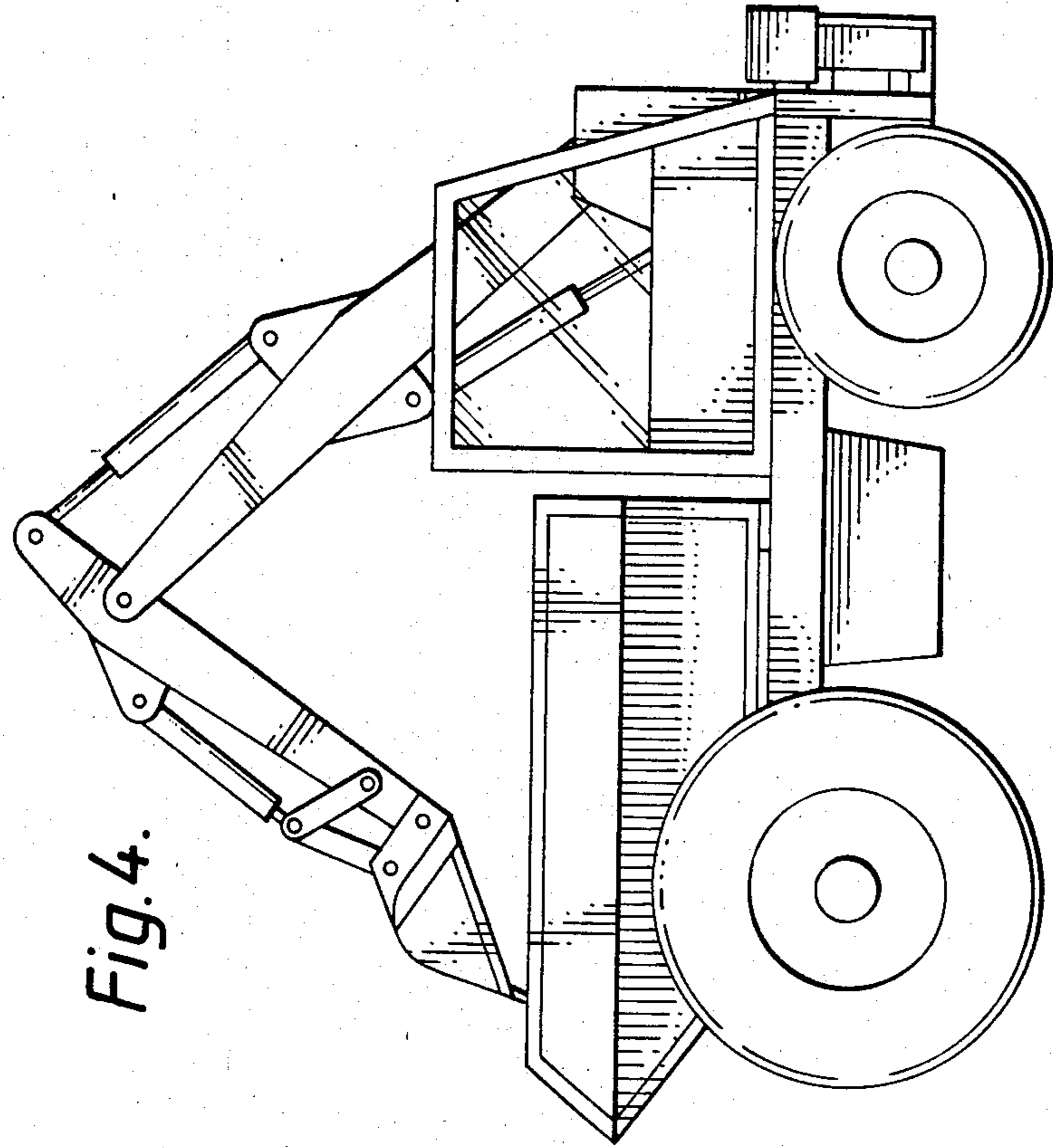


Fig. 4.

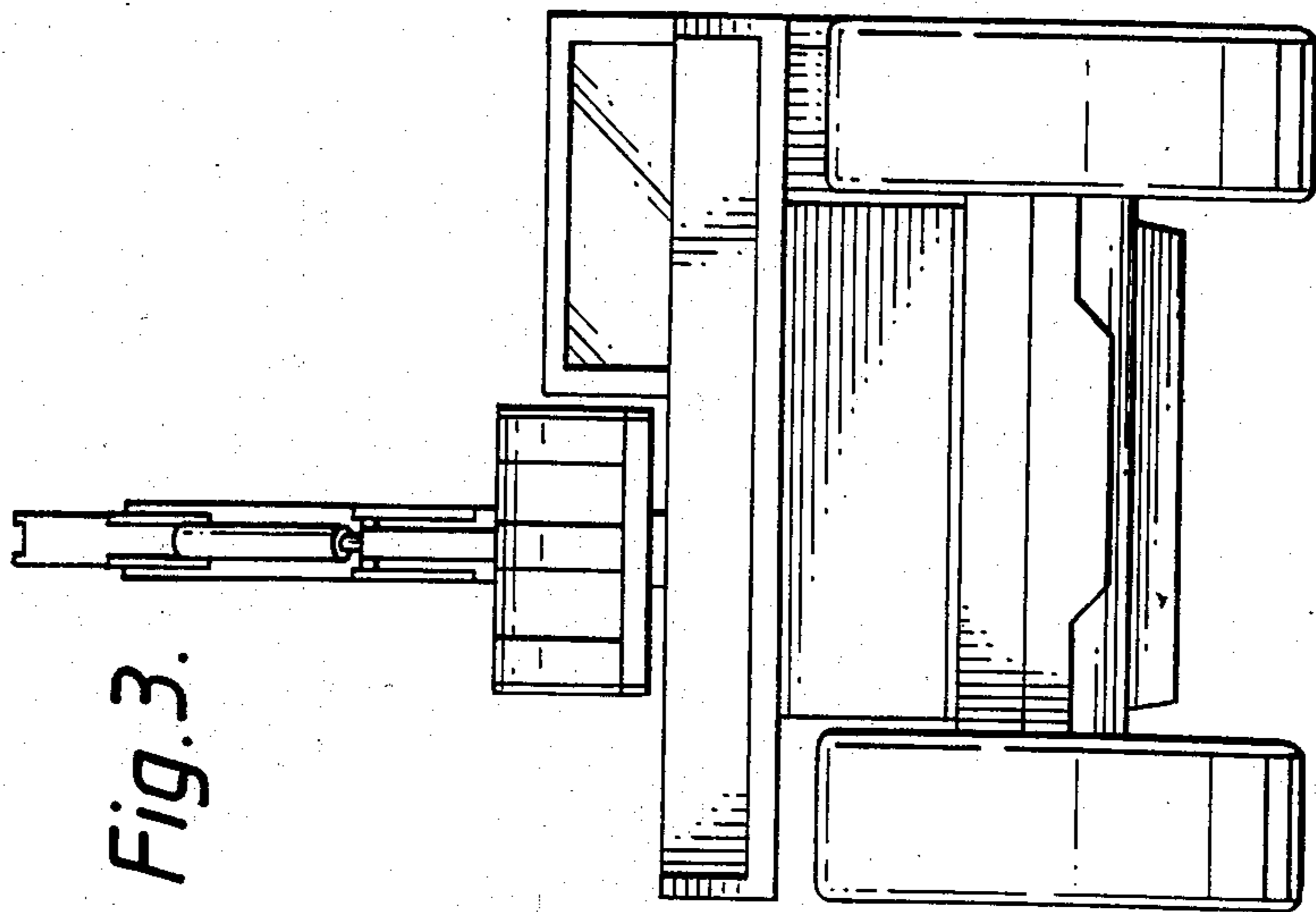


Fig. 3.

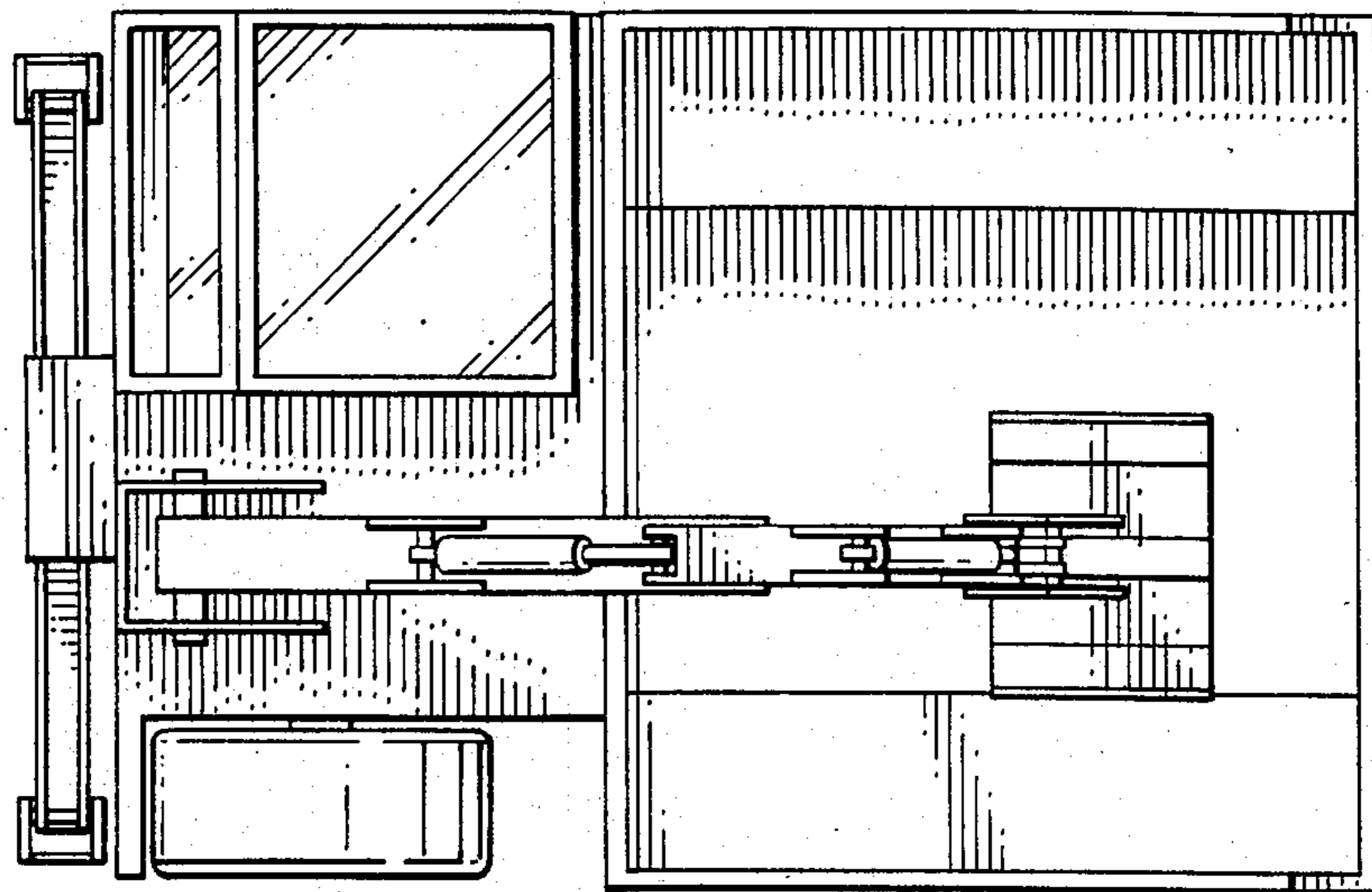


Fig.5.