

[54] INSERT FOR SECURING FASTENING DEVICES

[75] Inventors: William L. Colgan, Wyckoff; Robert W. Post, Jersey City, both of N.J.

[73] Assignee: Rexnord Inc., Torrance, Calif.

[\*\*] Term: 14 Years

[21] Appl. No.: 720,469

[22] Filed: Apr. 5, 1985

[52] U.S. Cl. .... D8/382; D8/397

[58] Field of Search ..... D32/25; D8/349, 354, D8/382, 397; 411/349, 340, 436, 180, 179, 968

[56] References Cited

U.S. PATENT DOCUMENTS

D. 221,376	8/1971	Tildesley .....	D8/397
D. 262,863	2/1982	Barnsdale .....	D8/382
3,204,679	9/1965	Walsh .....	411/180
3,498,353	6/1968	Barry .....	411/968
3,530,921	9/1970	Ernest .....	411/968
3,750,525	8/1973	Waters .....	411/968
4,143,579	3/1979	Ziaylek, Jr. ....	411/968

OTHER PUBLICATIONS

"Plastic Performers-Threaded Inserts for Thermoplastics and Thermoset Materials," Groov-Pin Corp., undated.

"Dodge Post Mold Screw Thread Inserts from Heli-

-Coil", Designer's Manual D300, MITE Corporation, 1984.

"IN-X Threaded Inserts-for Strong Inserts in Thermoplastics and Thermosets," IN-X Fastener Corporation, 1982.

"Spirol Heat/Ultrasonic Inserts," C.E.M. Spirol International Companies, undated.

Primary Examiner-Wallace R. Burke

Assistant Examiner-Ruth Takemoto

Attorney, Agent, or Firm-Pretty, Schroeder, Brueggemann & Clark

[57] CLAIM

The ornamental design for an insert for securing fastening devices, as shown.

DESCRIPTION

FIG. 1 is a perspective view of an insert for securing fastening devices showing our new design;

FIG. 2 is a top plan view thereof;

FIG. 3 is a side elevational view thereof, the opposite side being a mirror image;

FIG. 4 is a side elevational view thereof, rotated ninety degrees from the position shown in FIG. 3, the opposite side being a mirror image;

FIG. 5 is a cross sectional view thereof, taken along lines 5-5 in FIG. 3; and

FIG. 6 is a bottom plan view thereof.

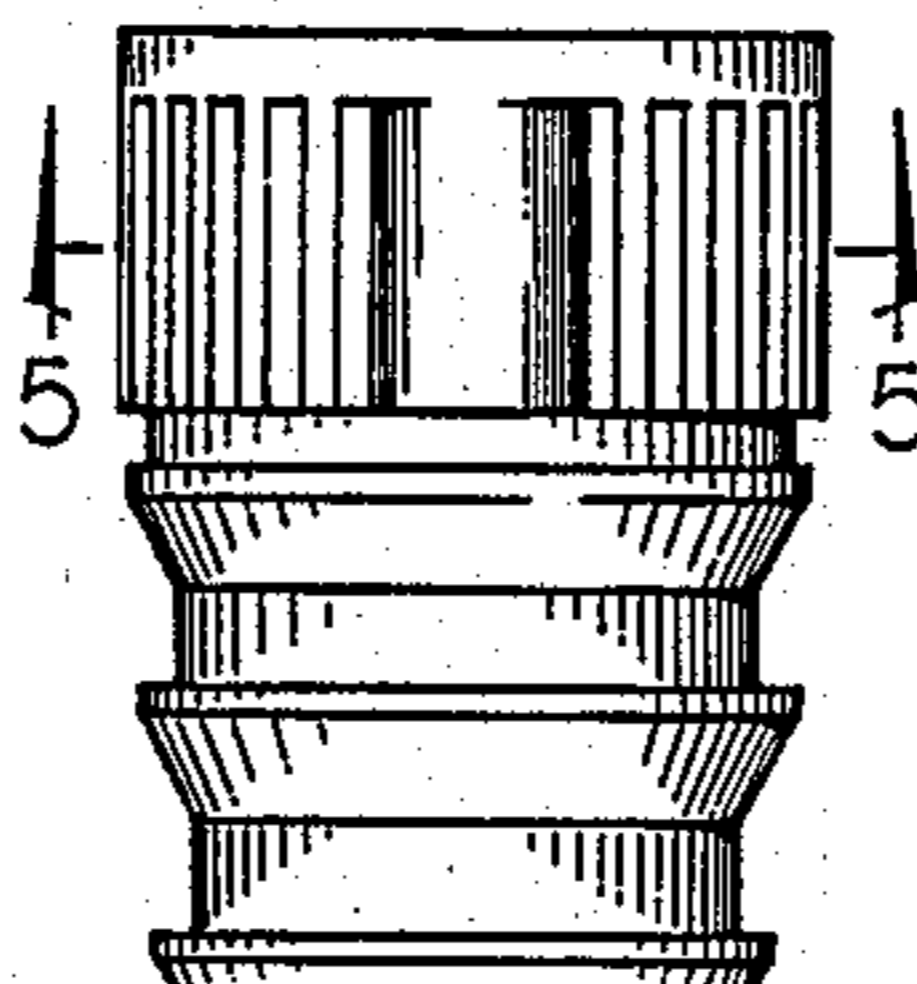
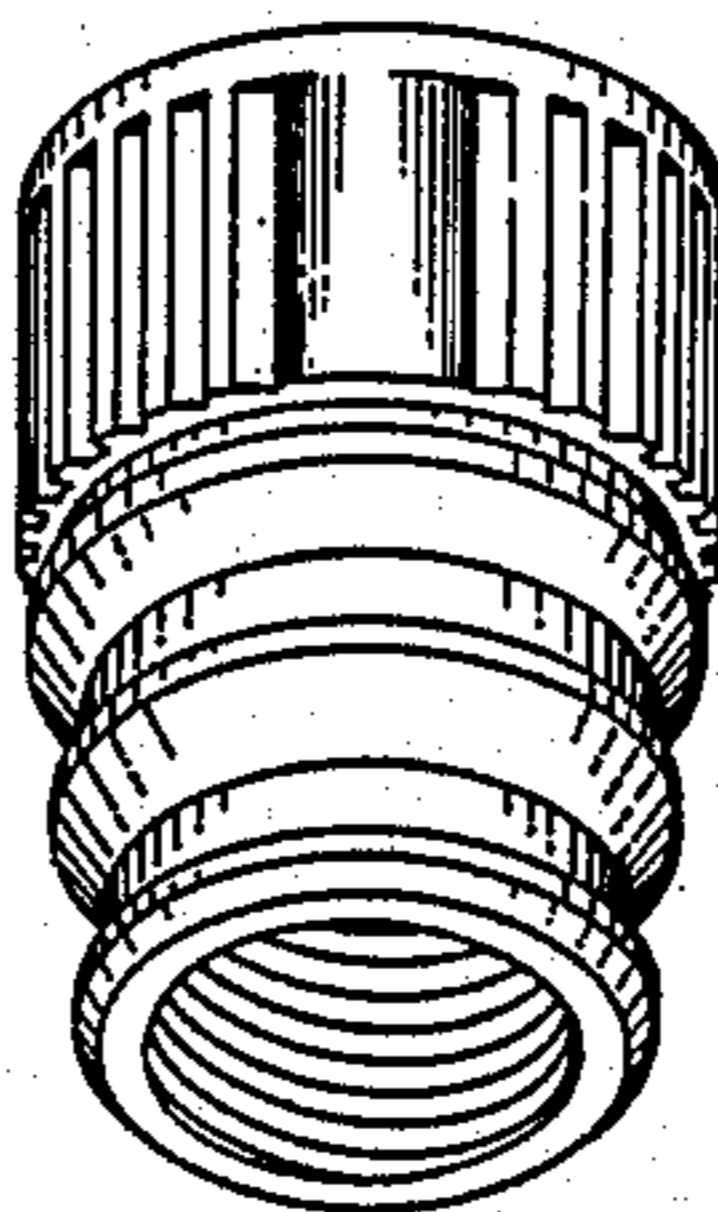


FIG 1

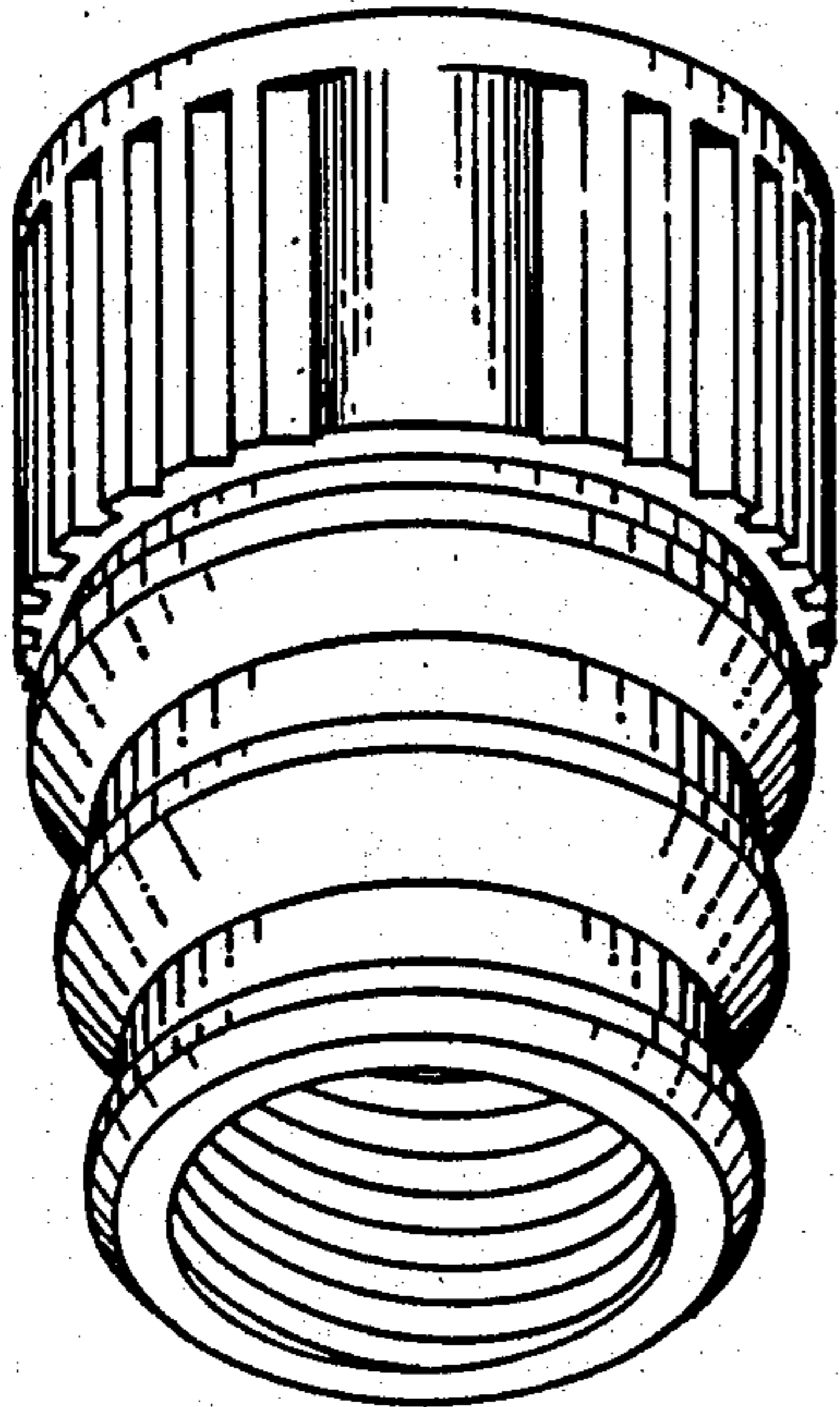


FIG 2

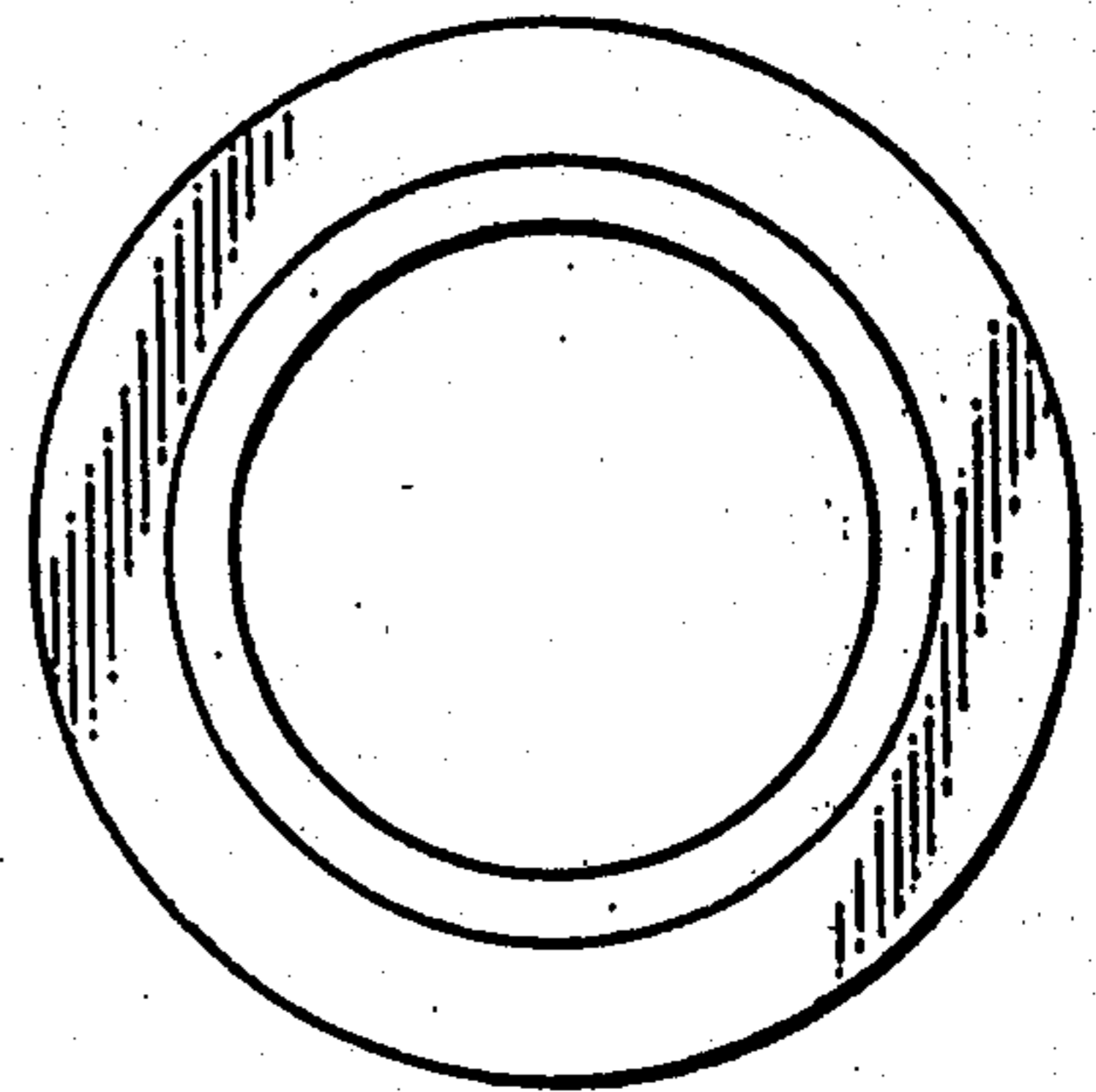


FIG 3

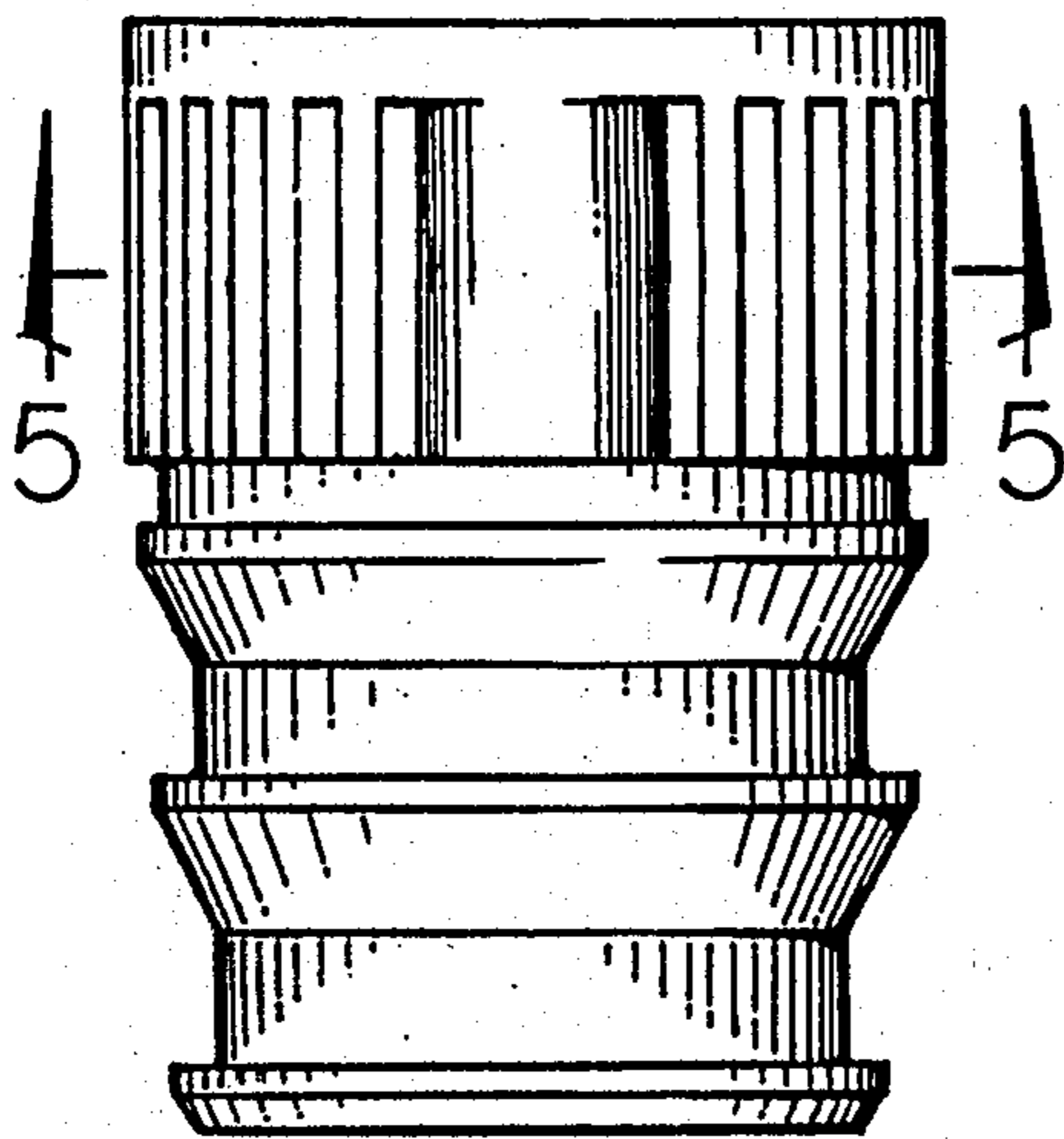


FIG 4

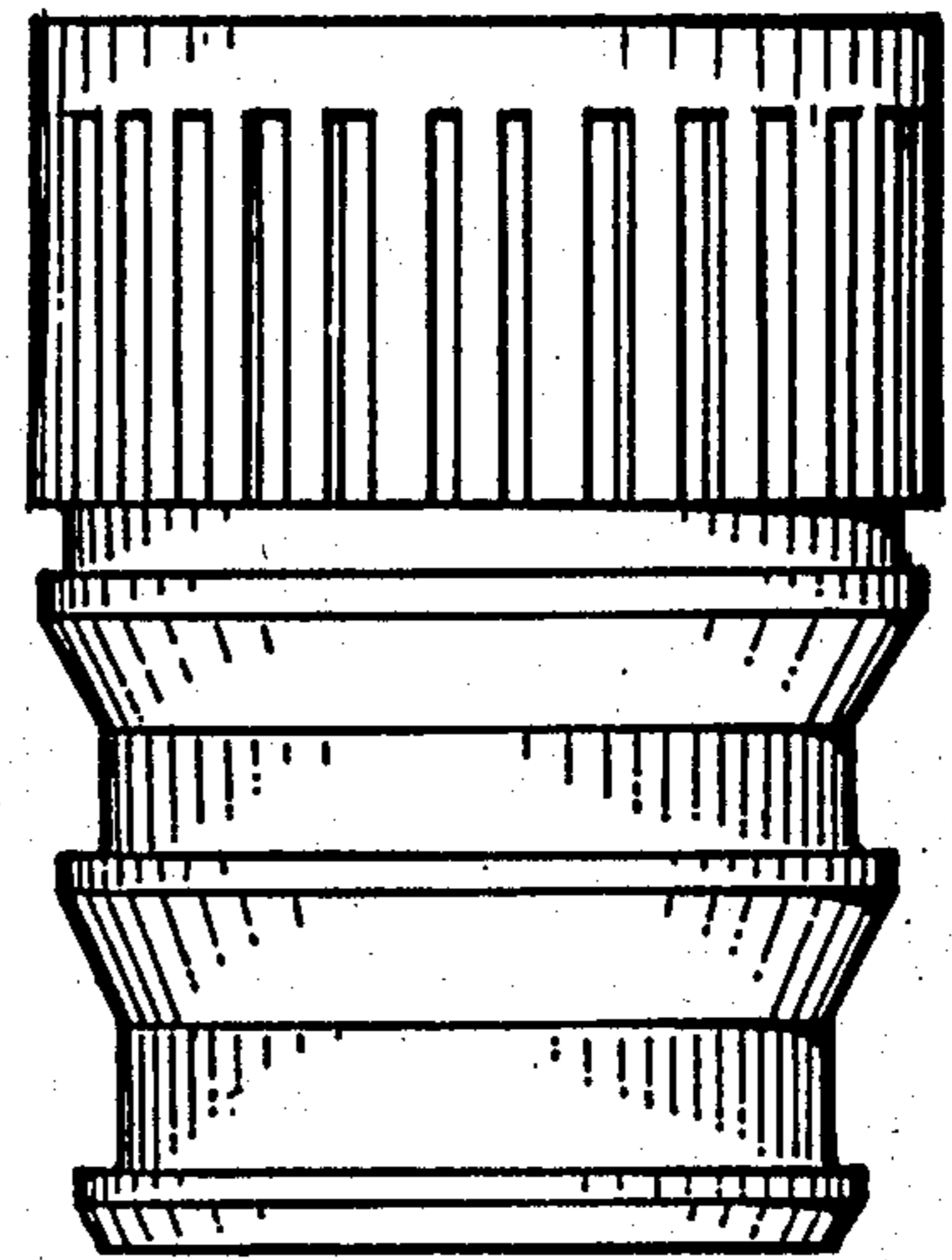


FIG 5

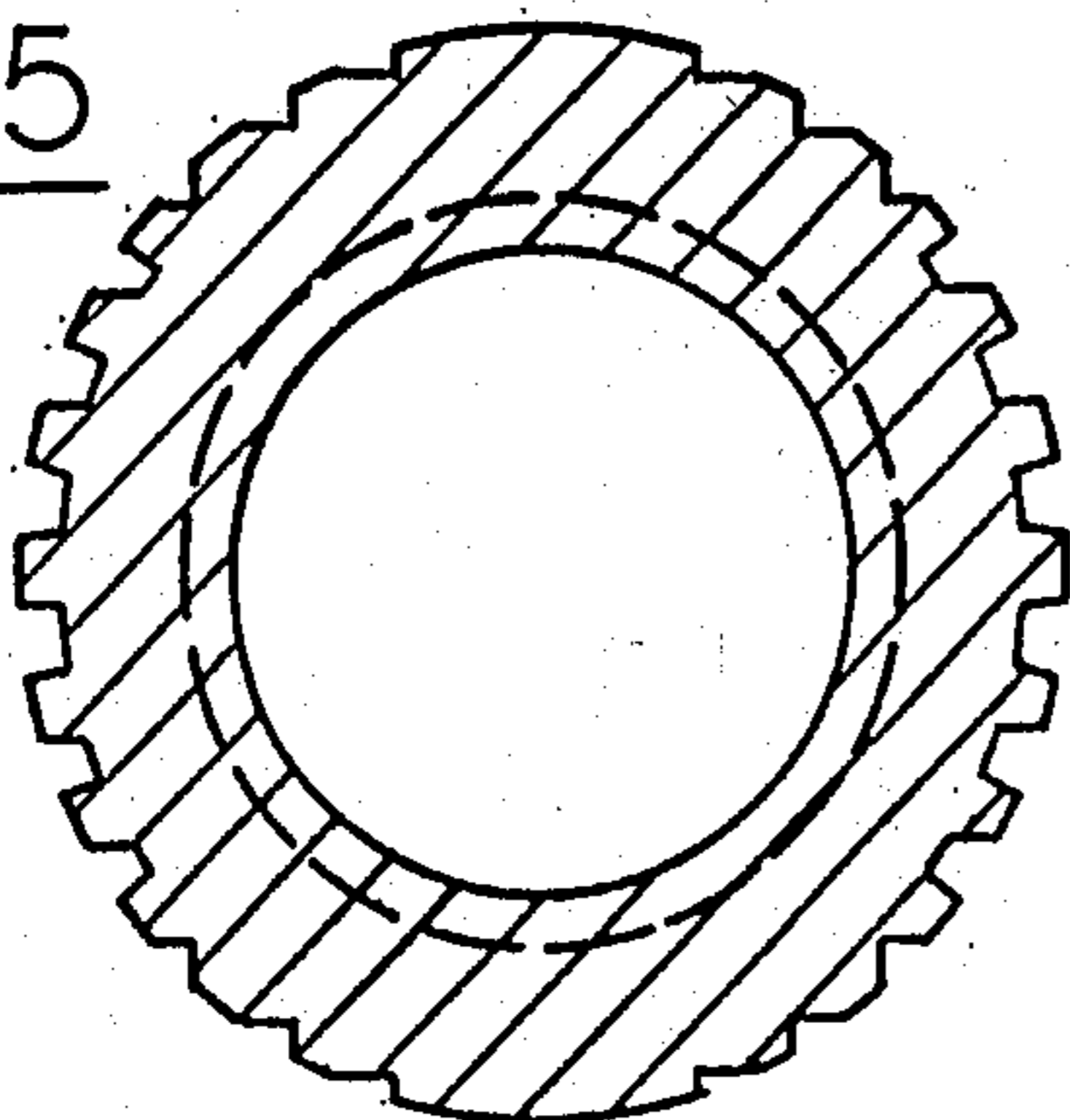


FIG 6

