

[54] **BRACKET OR SIMILAR ARTICLE FOR ATTACHMENT BENEATH A SHELF**
 [75] **Inventor: Brian L. Newton, Woonsocket, R.I.**
 [73] **Assignee: Dart Industries Inc., Deerfield, Ill.**
 [**] **Term: 14 Years**
 [21] **Appl. No.: 847,609**
 [22] **Filed: Apr. 1, 1986**
 [52] **U.S. Cl. D8/380; D8/354; D34/40; D15/89; D7/37**
 [58] **Field of Search D8/354, 363, 366, 380, D8/349, 399; 108/149; D15/81, 82, 90, 89; D7/37, 21; D34/40, 42, 43; 211/126**

1,687,581 10/1928 Murphy 24/84
 1,800,846 4/1931 Slugel D15/89 X
 2,021,065 11/1935 Hurlburt D15/89 X
 2,614,703 10/1957 Molins et al. 211/114
 2,717,505 9/1955 Andersson D15/89 X
 2,754,166 7/1956 Ohm 312/140.4
 3,170,594 2/1965 Nascher D34/40 X
 4,049,357 9/1977 Hamisch 24/115 H
 4,283,035 8/1981 Ojembarrena et al. D8/363 X
 4,441,583 4/1984 Vaught 182/150

Primary Examiner—Horace B. Fay

[57] **CLAIM**

The ornamental design for a bracket or similar article for attachment beneath a shelf, as shown and described.

DESCRIPTION

FIG. 1 is a front, top and right side perspective view of a bracket or similar article shelf;
 FIG. 2 is a front, bottom and right side perspective view thereof;
 FIG. 3 is a top plan view thereof;
 FIG. 4 is a front elevational view thereof;
 FIG. 5 is a side elevational view thereof, the side opposite being a mirror image;
 FIG. 6 is a rear elevational view thereof;
 FIG. 7 is a bottom plan view thereof;
 FIG. 8 is a cross-sectional view thereof taken on line 8—8 of FIG. 3; and
 FIG. 9 is a cross-sectional view thereof taken on line 9—9 of FIG. 3.
 The side opposite from the shown in FIG. 5 is a duplicate thereof.

[56] **References Cited**

U.S. PATENT DOCUMENTS

D. 71,386 11/1926 Kugler D8/354 X
 D. 236,168 7/1975 Johnson D7/37 X
 D. 247,413 3/1978 Hamilton D7/21 X
 D. 250,875 1/1979 Lindblom D8/354 X
 D. 250,876 1/1979 Lindblom D8/380 X
 D. 255,097 5/1980 Carroll et al. D34/40
 D. 256,663 2/1980 Gilb D8/366 X
 D. 257,664 12/1980 McKee D8/366 X
 D. 260,600 7/1981 Taylor D8/380 X
 D. 264,682 6/1982 Van Doren D8/354
 D. 269,657 7/1983 Taylor D34/40 X
 D. 288,407 2/1987 St. Alban D8/354
 D. 292,516 10/1987 Wolff D15/89
 D. 294,788 3/1988 Canteneels et al. D15/89 X
 1,684,558 9/1928 Schwarz 62/382

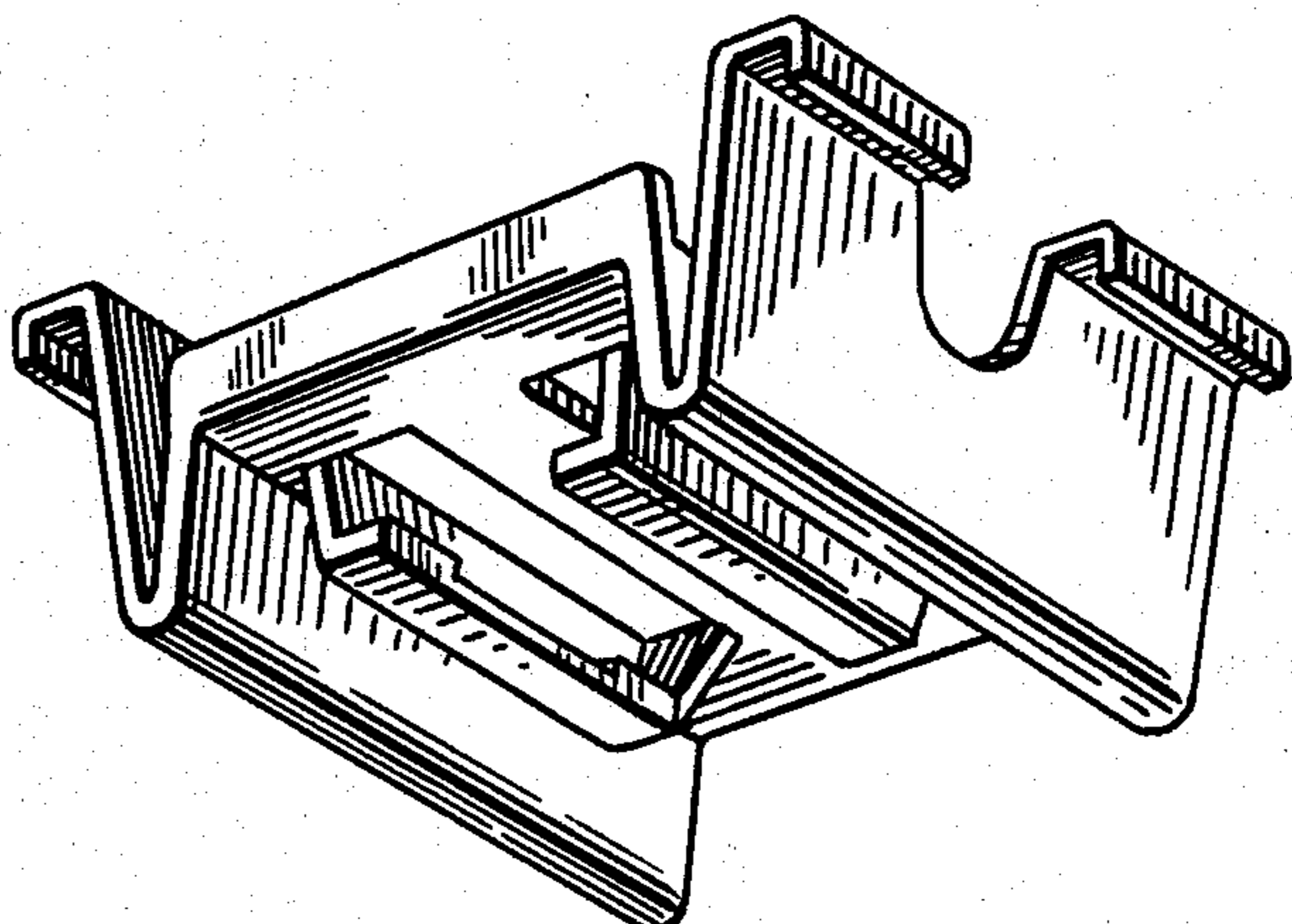
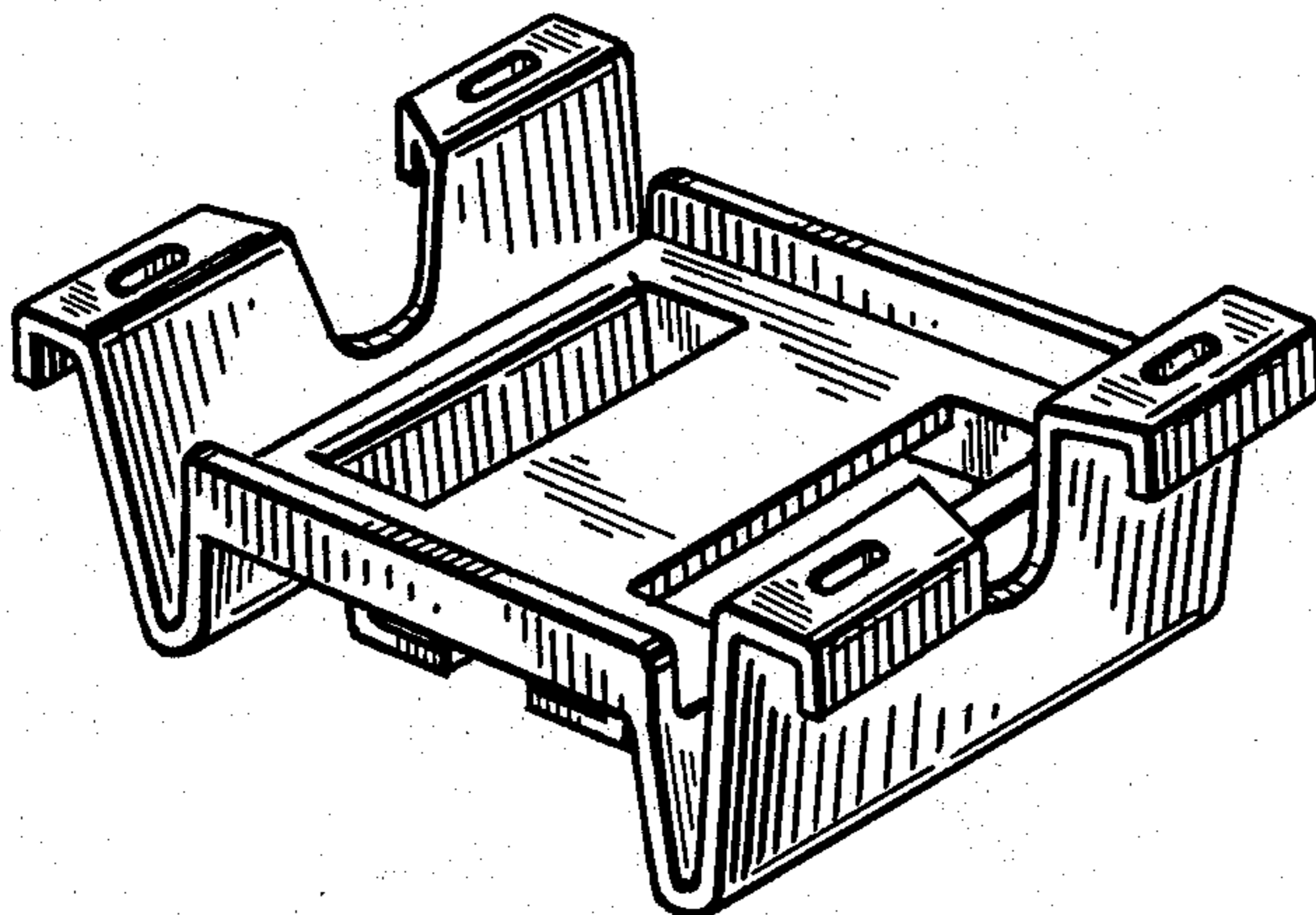


FIG. 1

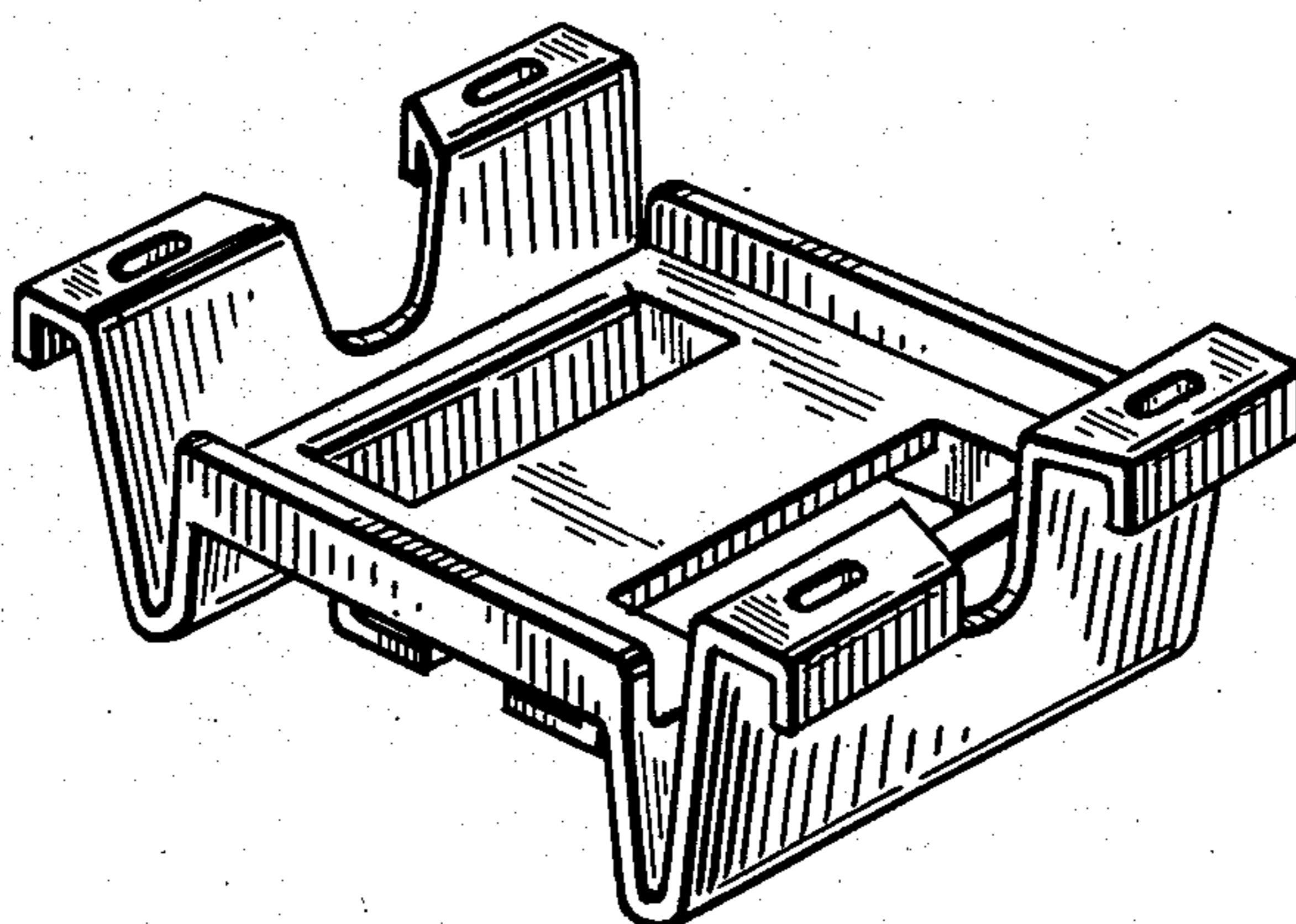


FIG. 3

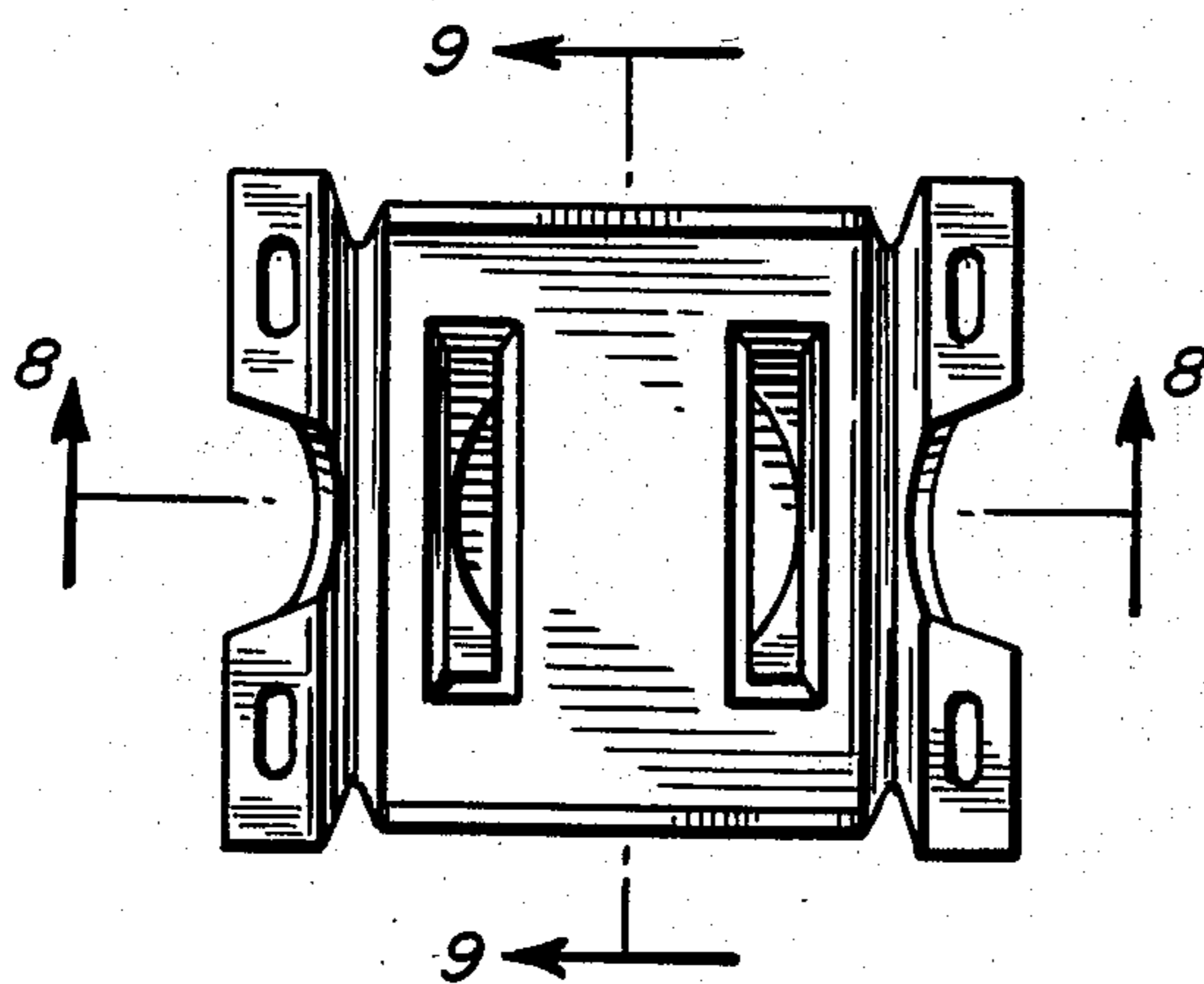


FIG. 5

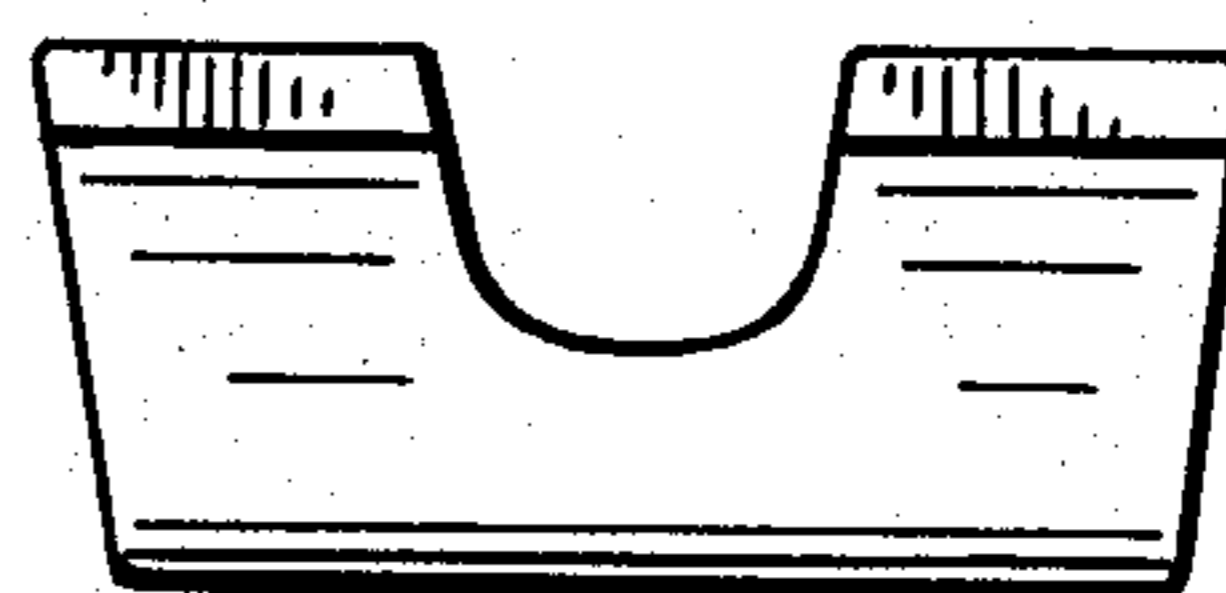


FIG. 4

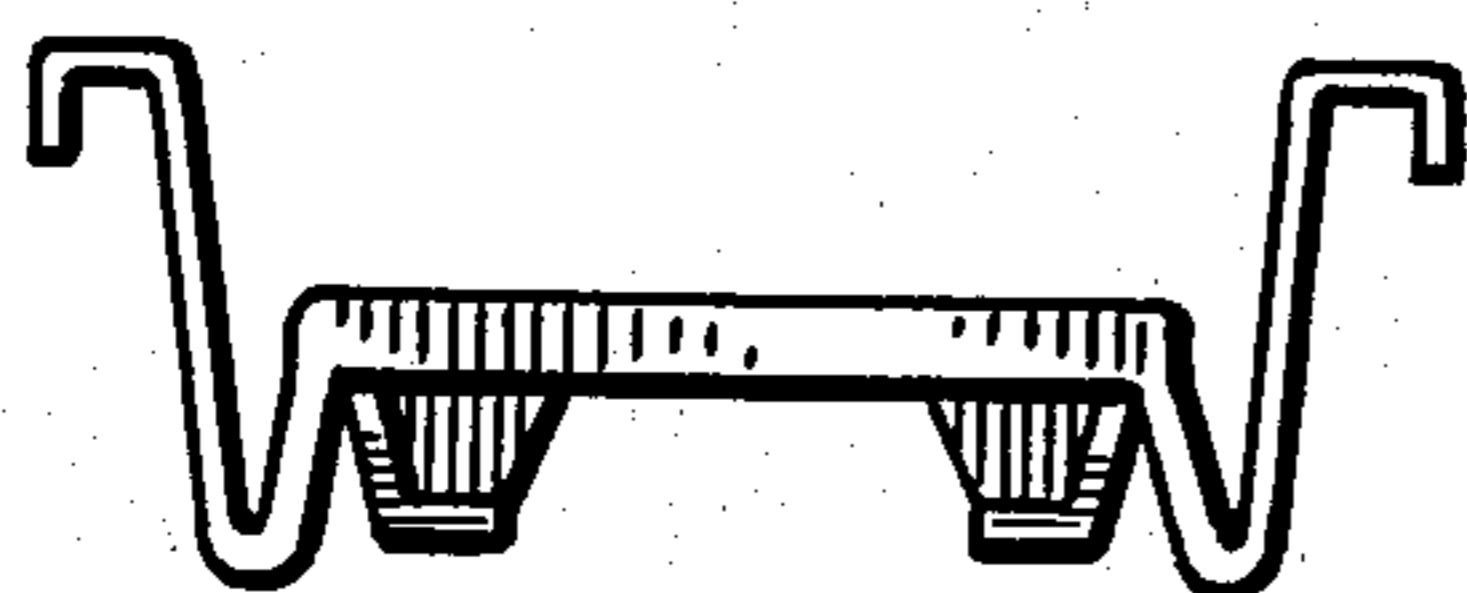


FIG. 6

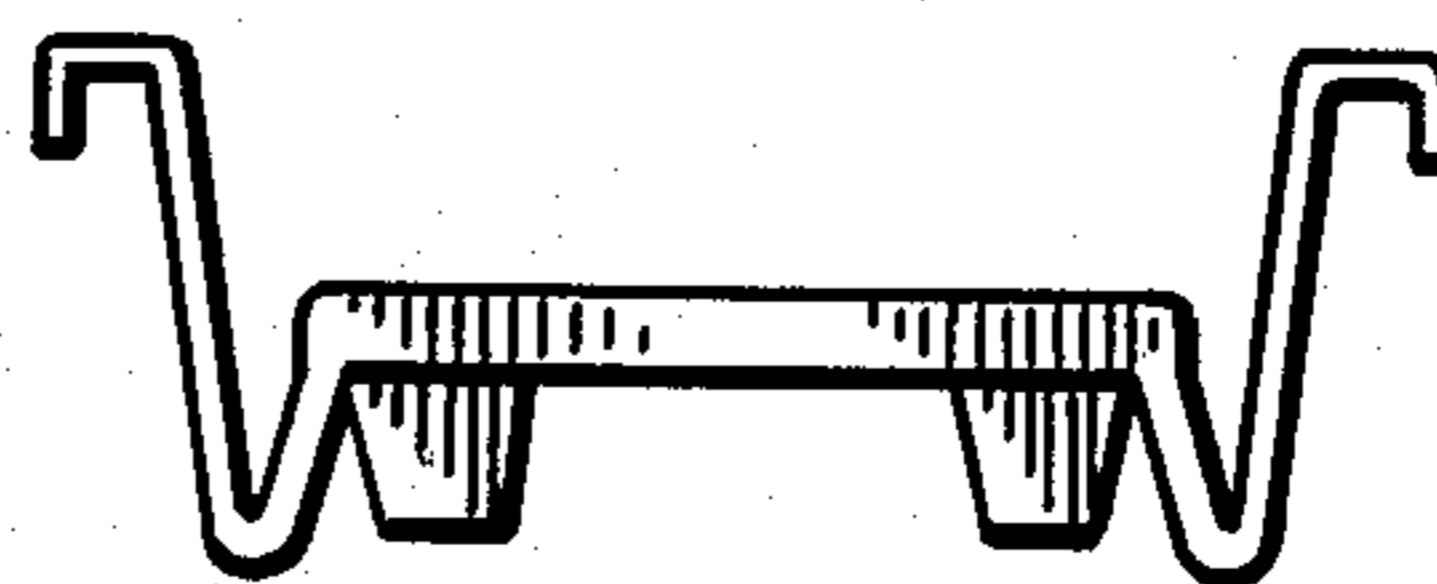


FIG. 2

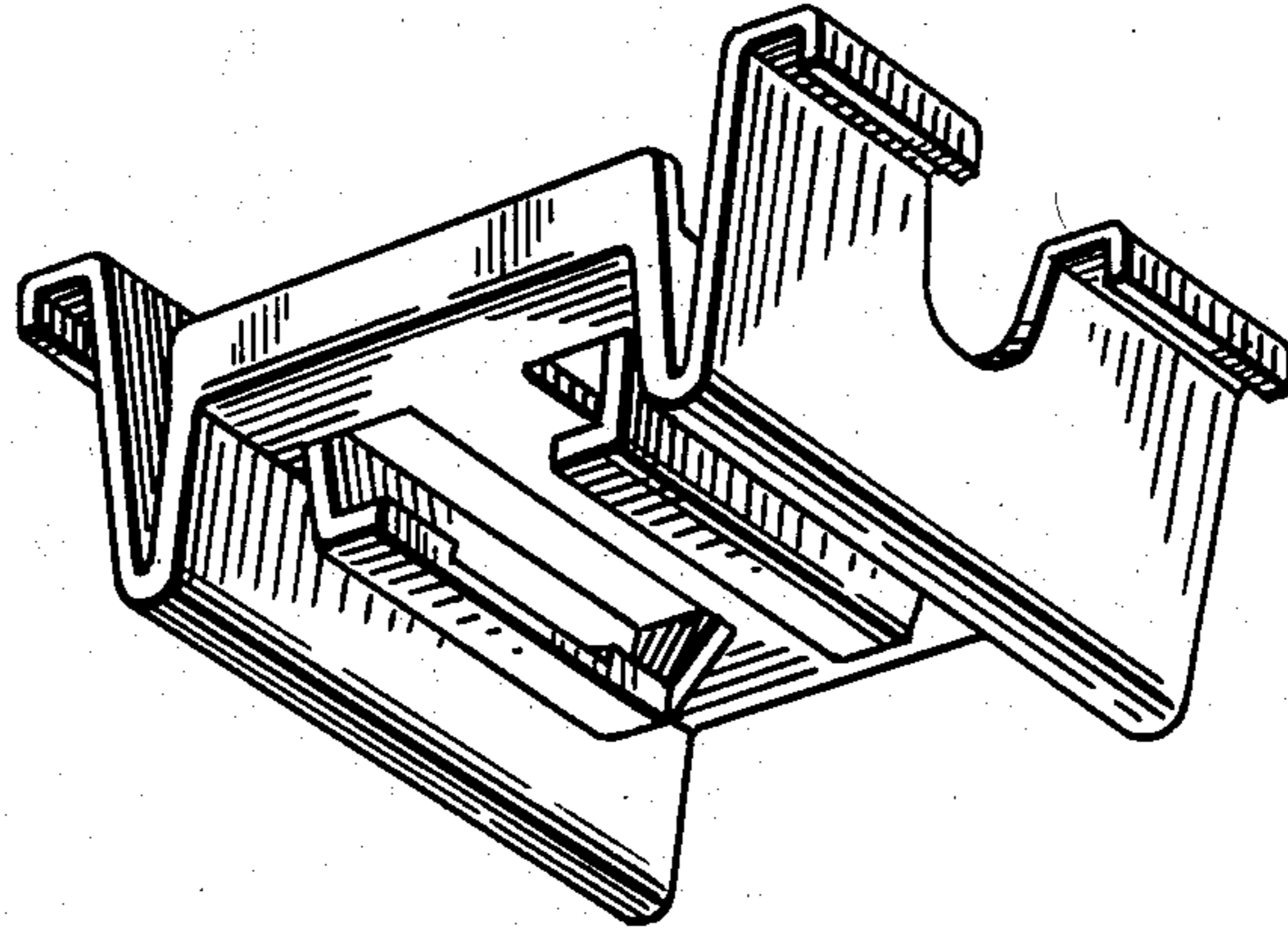


FIG. 7

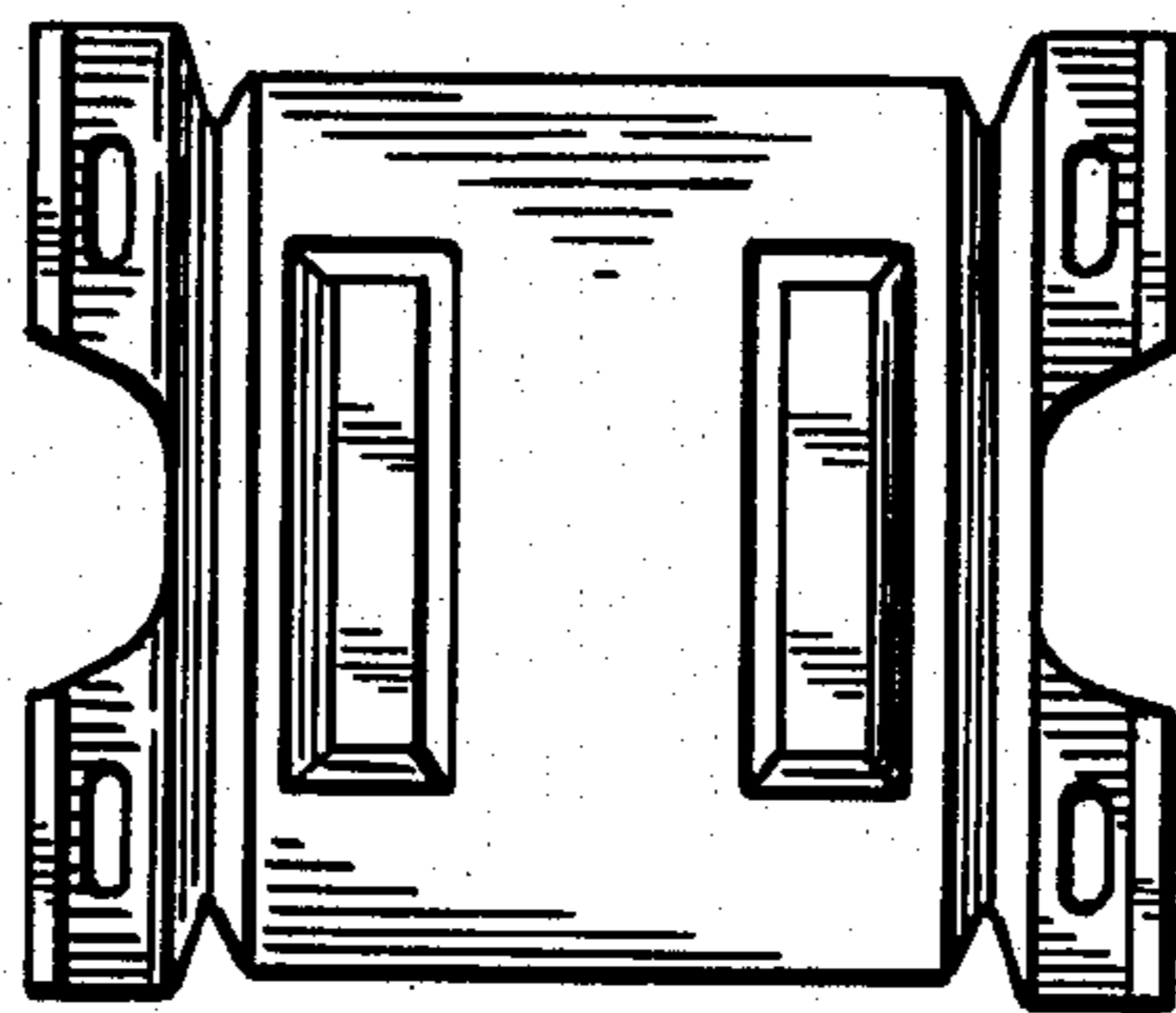


FIG. 8

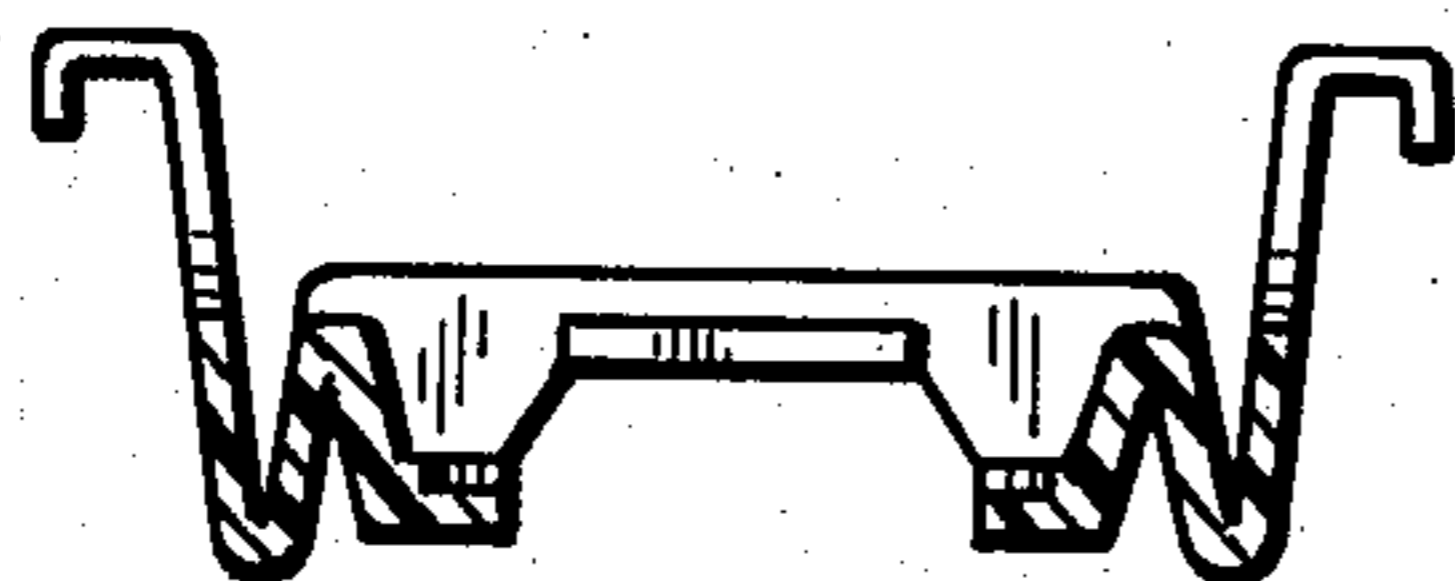


FIG. 9

