

[54] COFFEE TABLE

[75] Inventor: Luciano Cionini, Casciana Terme, Italy

[73] Assignee: Lavorazione Artigiana Onice di Cioni Luciano & C.S.n.c., Italy

[\*\*] Term: 14 Years

[21] Appl. No.: 814,203

[22] Filed: Dec. 27, 1985

[30] Foreign Application Priority Data

Jun. 28, 1985 [IT] Italy ..... 11715/85[U]

[52] U.S. Cl. .... D6/480; D6/482

[58] Field of Search ..... D6/477-482, D6/485, 488, 490; 108/150, 153

[56] References Cited

U.S. PATENT DOCUMENTS

D. 289,477 4/1987 Berry, Jr. .... D6/487

D. 289,953 5/1987 Berry, Jr. .... D6/484 X

D. 292,255 10/1987 Winzeler, III ..... D6/480  
4,321,875 3/1982 Danko ..... 108/150

OTHER PUBLICATIONS

Domus, Sep. 1984, p. 72, table in foreground.

Primary Examiner—Bruce W. Dunkins  
Attorney, Agent, or Firm—McGlew and Tuttle

[57] CLAIM

The ornamental design for a coffee table, as shown and described.

DESCRIPTION

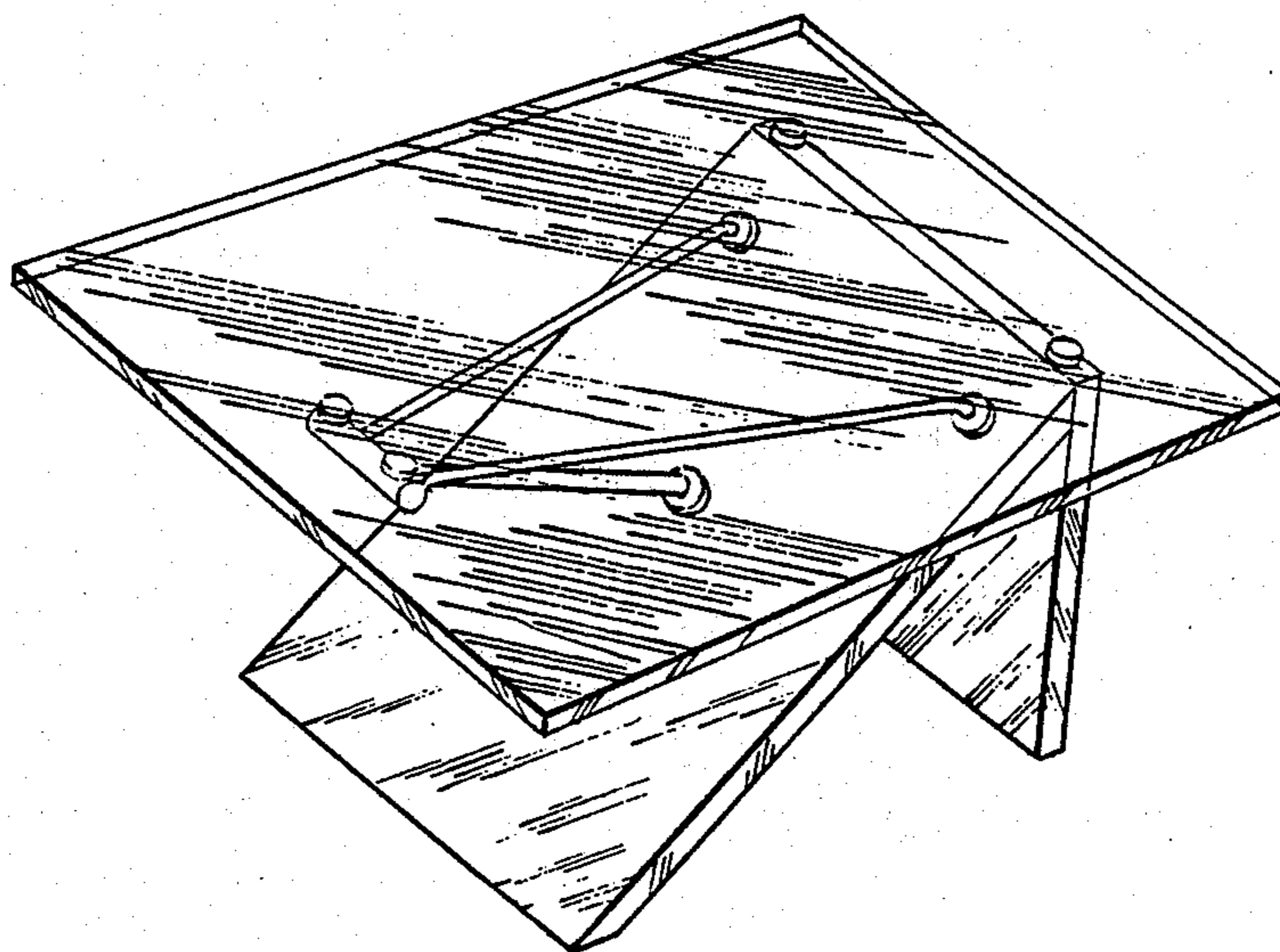
FIG. 1 is a side elevational view of a coffee table showing my new design the opposite side being a mirror image thereof;

FIG. 2 is a top plan view;

FIG. 3 is an end elevational view taken from the left in FIG. 1; and

FIG. 4 is a perspective view thereof.

The undisclosed face of the leg panel as seen from the right in FIG. 1 is plain and unadorned.



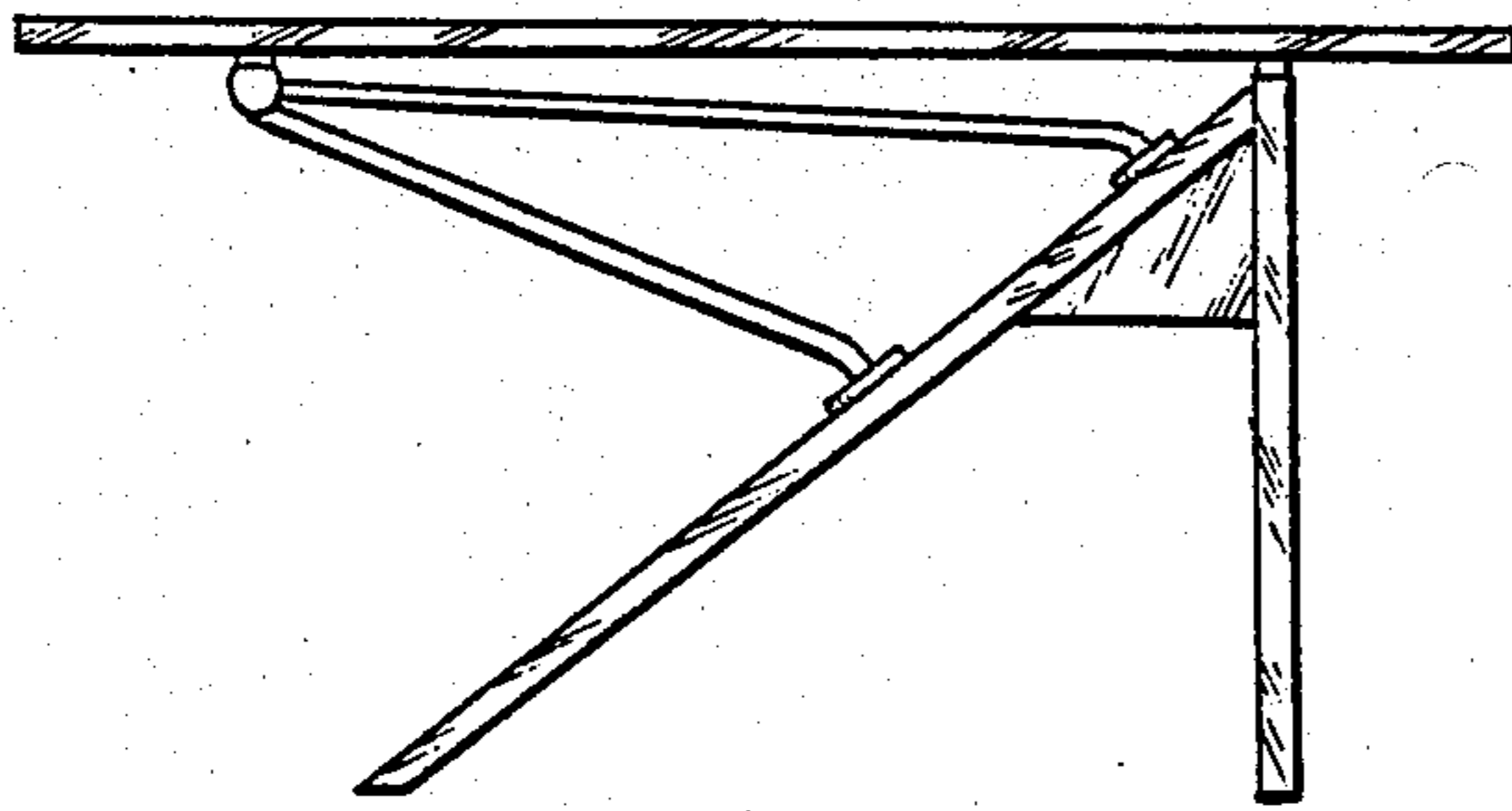


Fig. 1

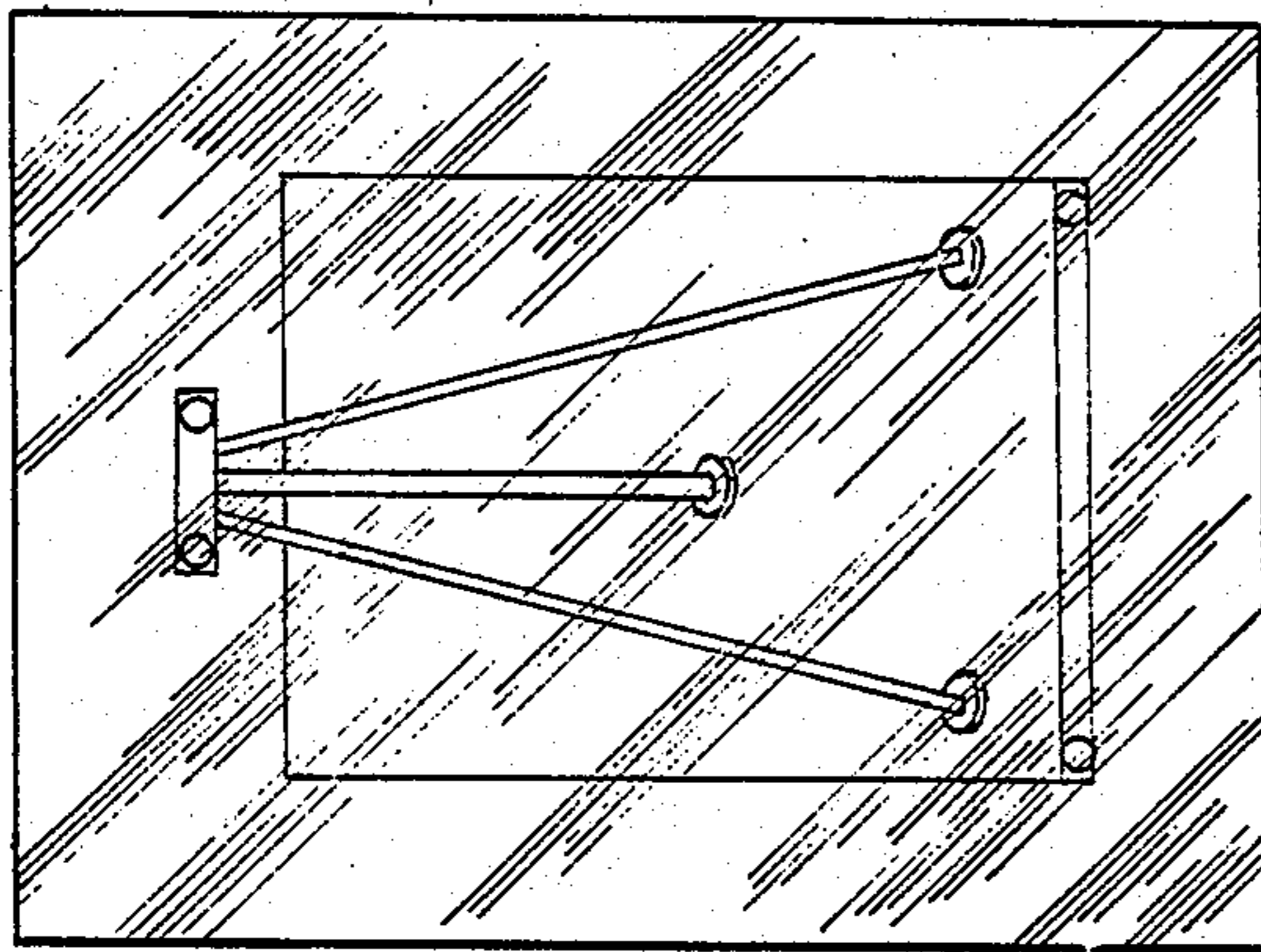


Fig. 2

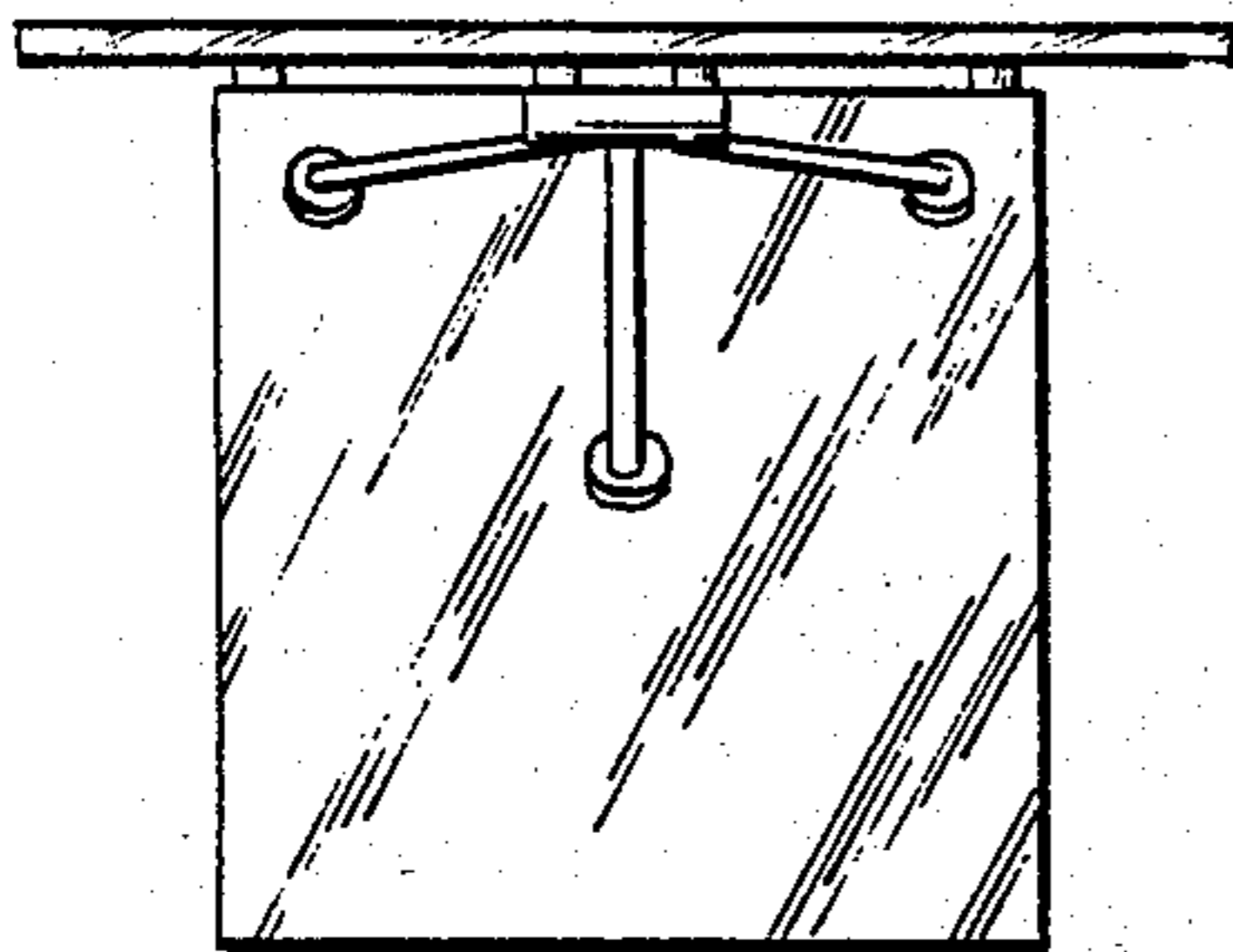


Fig. 3

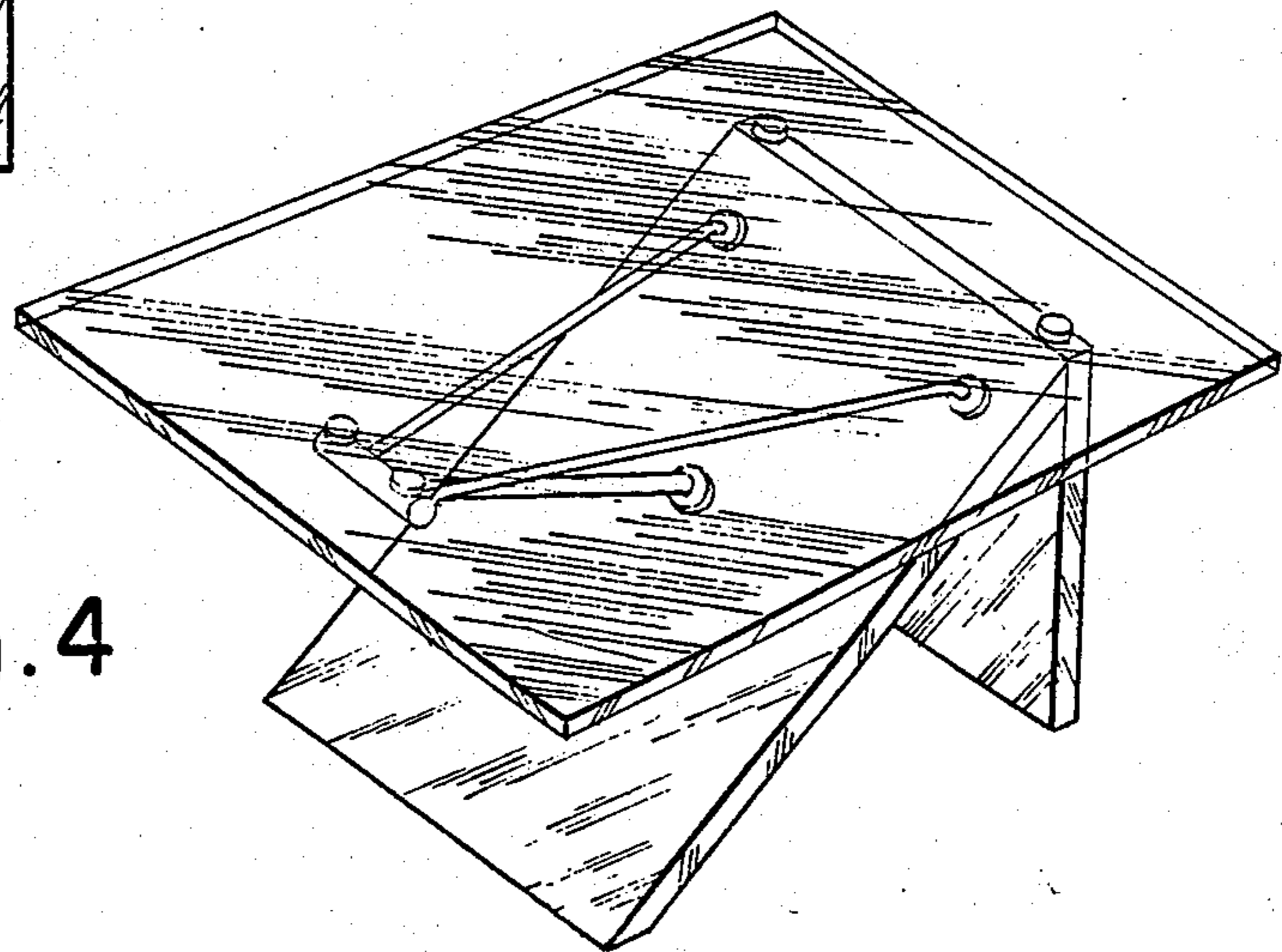


Fig. 4