

[54] **CHAIR**

[75] **Inventor: Burkhard Vogtherr,**
Holzen-Kandern, Fed. Rep. of
Germany

[73] **Assignee: Klober GmbH & Co.,** Uberlingen,
Fed. Rep. of Germany

[**] **Term: 14 Years**

[21] **Appl. No.: 810,700**

[22] **Filed: Dec. 19, 1985**

[52] **U.S. Cl. D6/366**

[58] **Field of Search D6/334, 364, 365, 366;**
297/306, 355, 455

[56] **References Cited**

U.S. PATENT DOCUMENTS

D. 253,205 10/1979 Buhk D6/366
D. 277,525 2/1985 Buhk et al. D6/366
4,364,605 12/1982 Meiller 297/306

4,509,793 4/1985 Wiesmann et al. 297/355

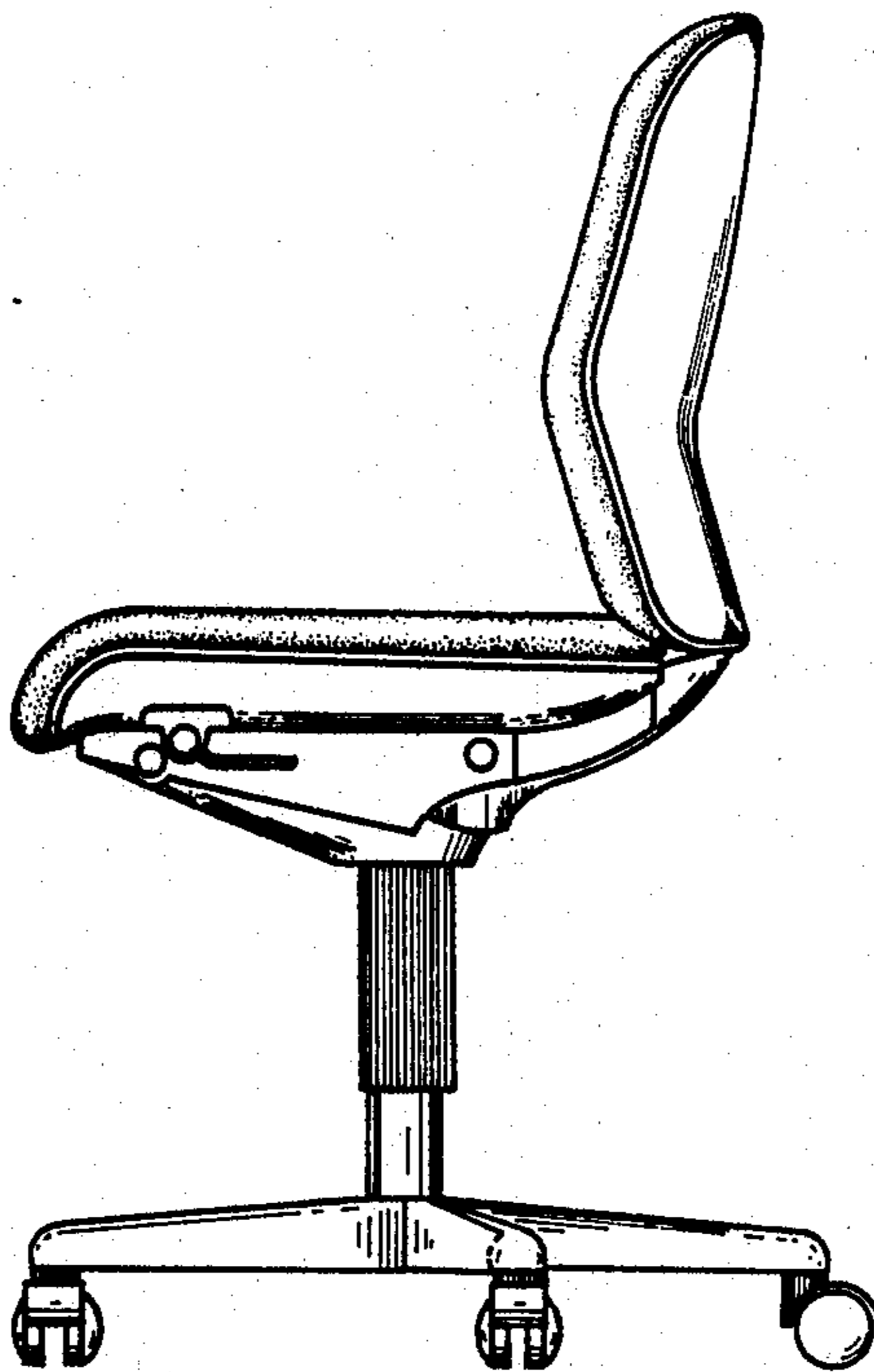
Primary Examiner—Bruce W. Dunkins
Attorney, Agent, or Firm—Hill, Van Santen, Steadman &
Simpson

[57] **CLAIM**

The ornamental design for a chair, as shown and de-
scribed.

DESCRIPTION

FIG. 1 is a side perspective view of a chair showing my
design;
FIG. 2 is a front elevational view;
FIG. 3 is a top plan view; and
FIG. 4 is a rear elevational view thereof;
FIG. 5 is a side elevational view of a chair showing a
second embodiment of my design;
FIG. 6 is a front elevational view;
FIG. 7 is a top plan view; and
FIG. 8 is a rear elevational view thereof.
The sides of the chair forms not shown are mirror im-
ages of the respective sides shown in FIGS. 1 and 5.



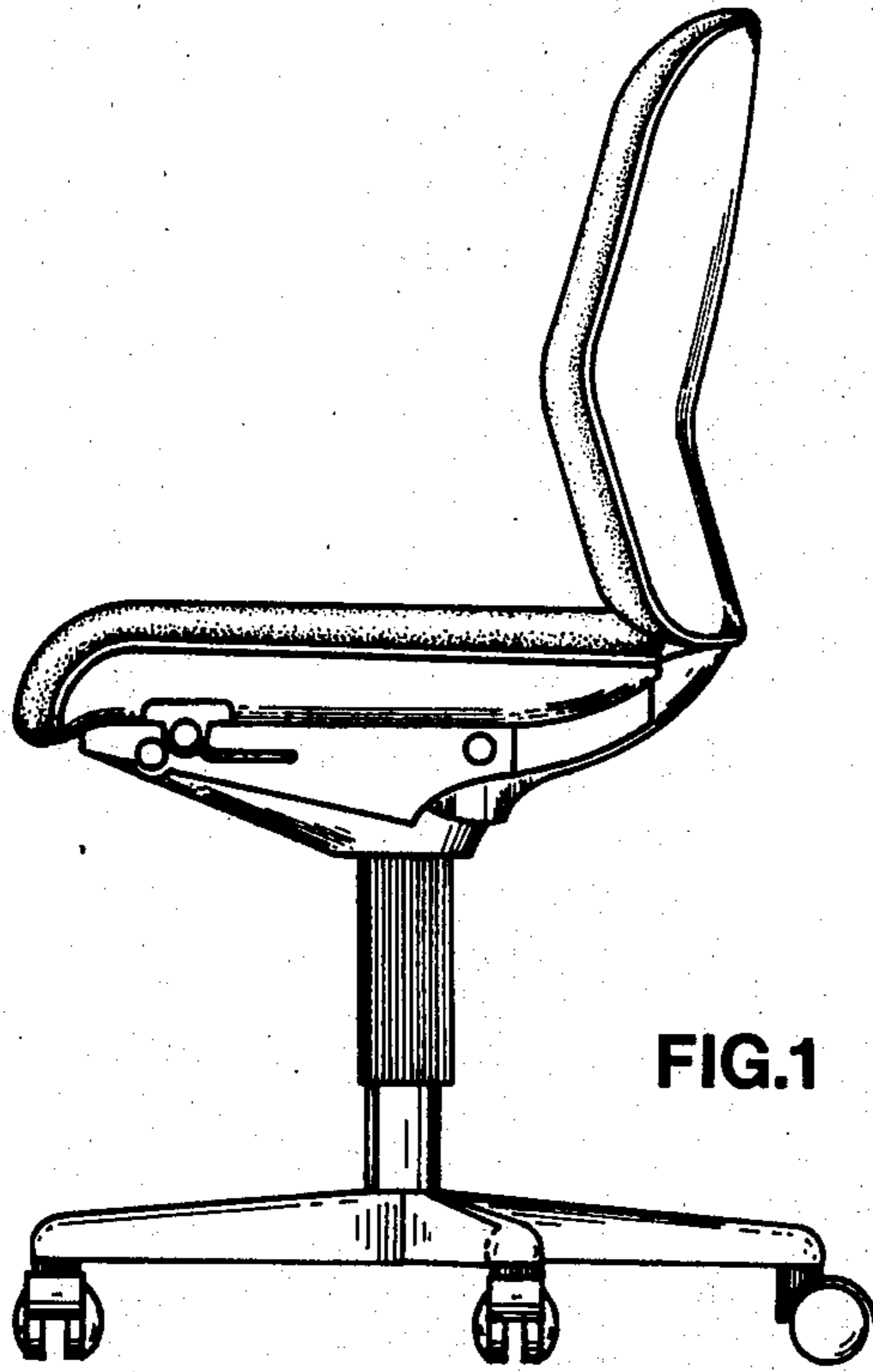


FIG. 1

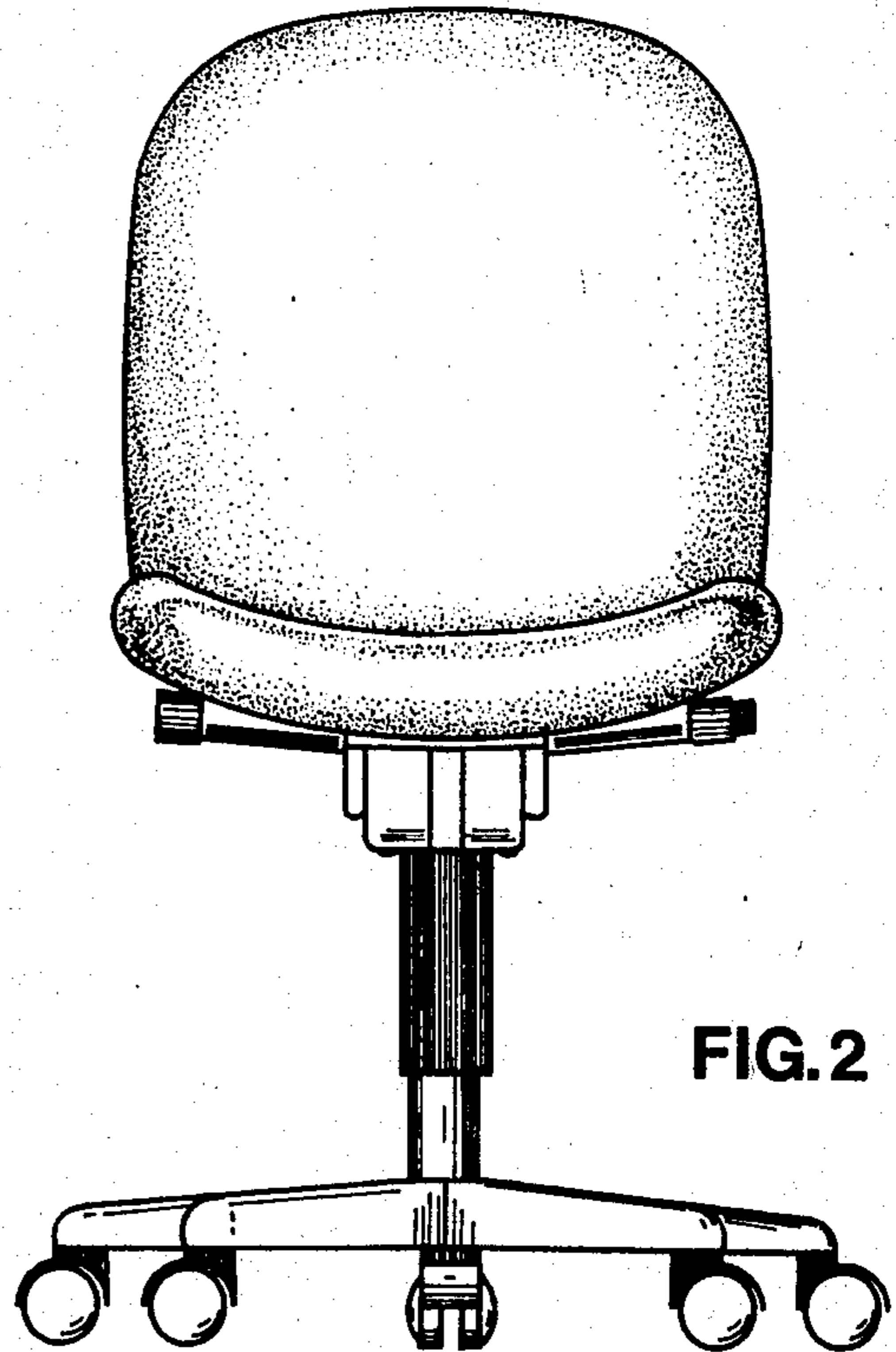


FIG. 2

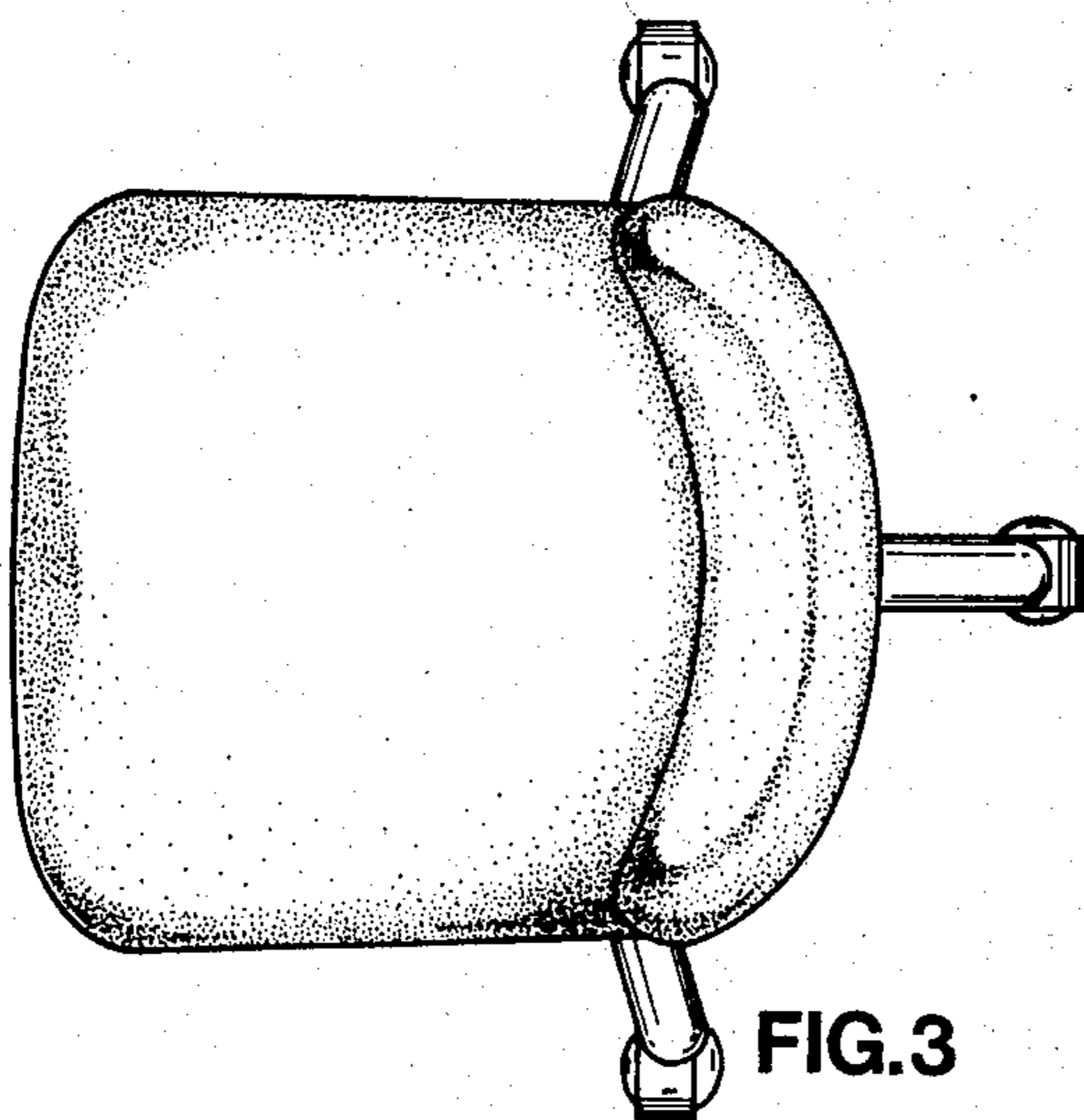


FIG. 3

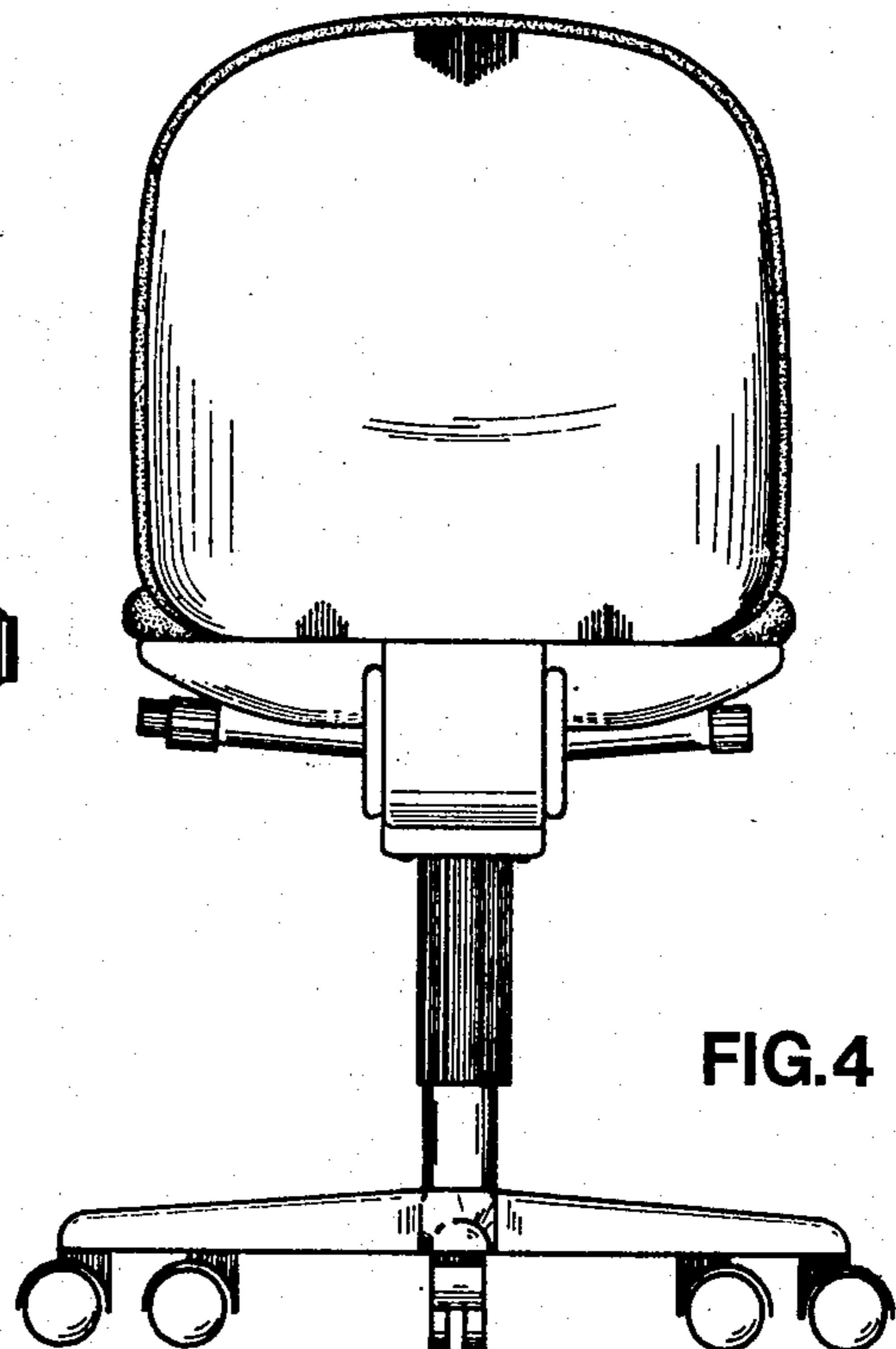


FIG. 4

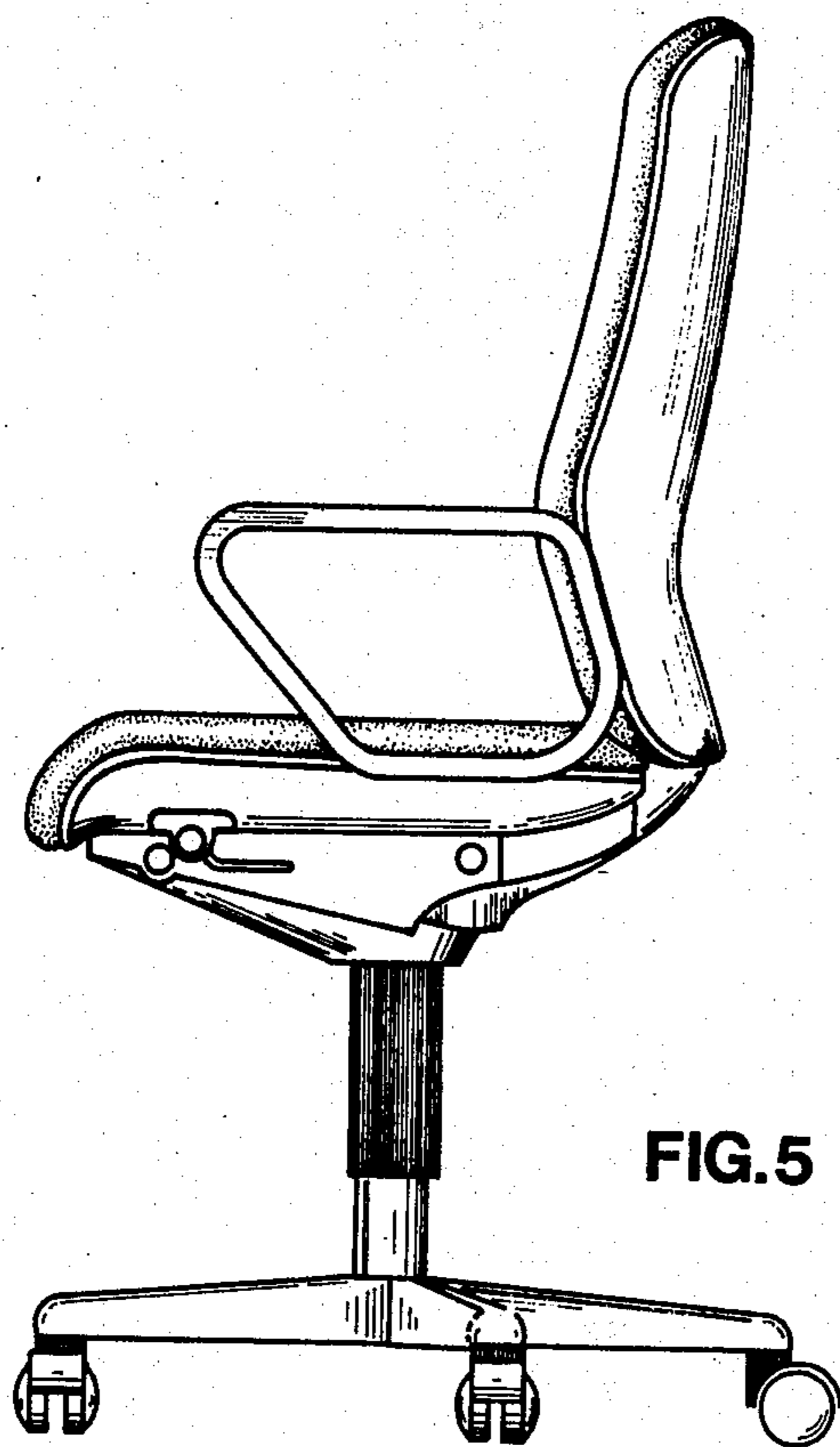


FIG. 5

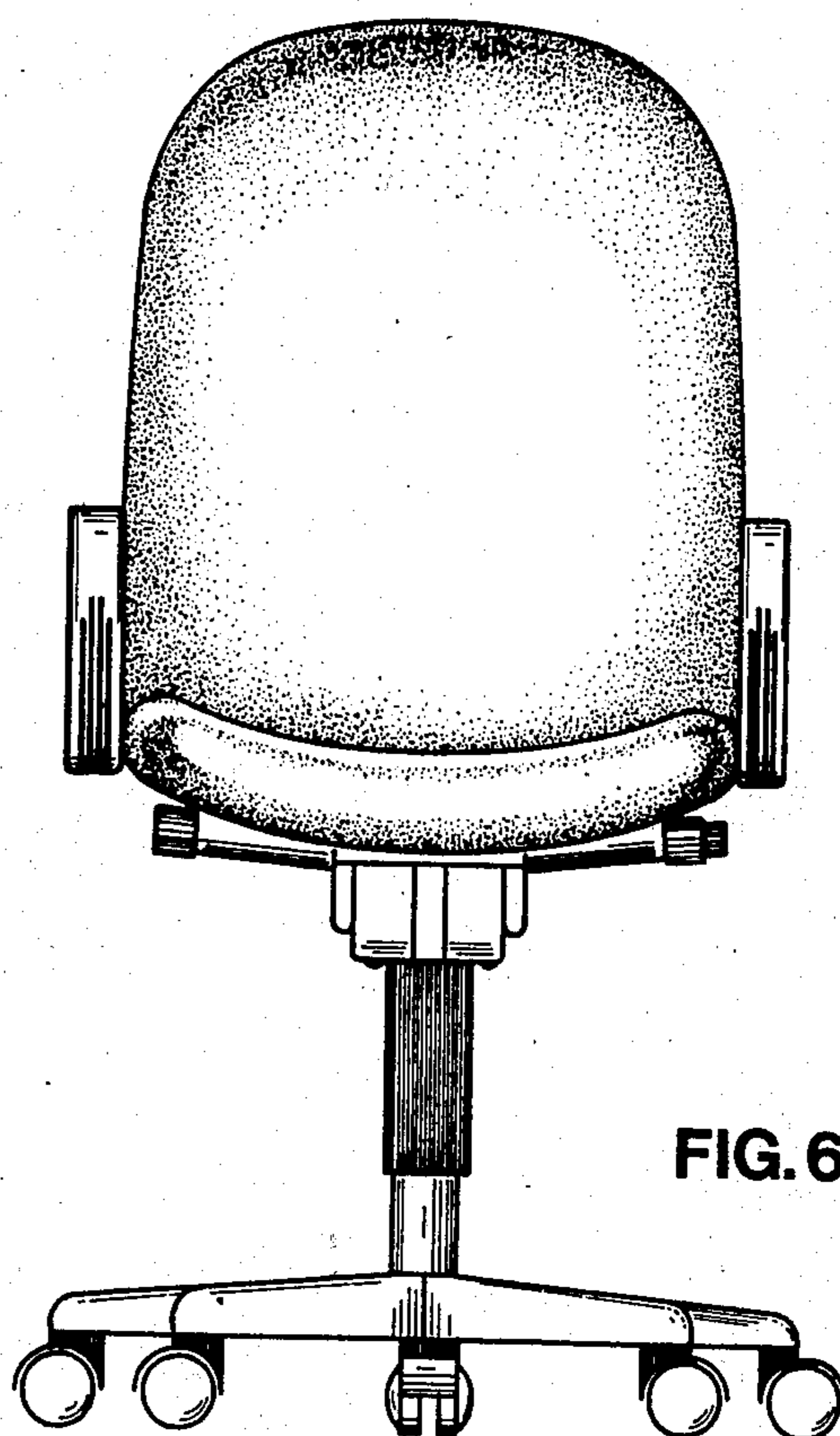


FIG. 6

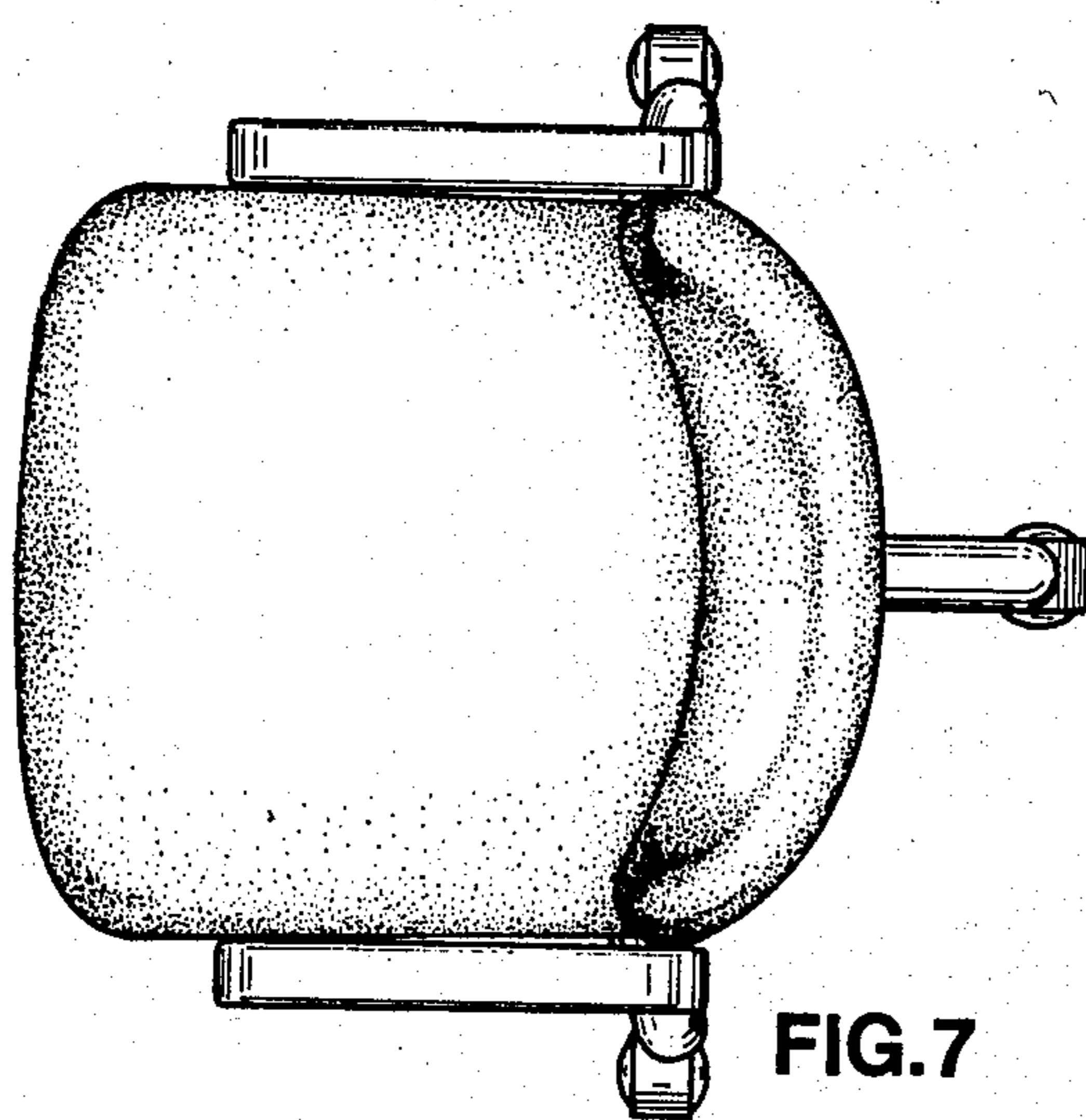


FIG. 7

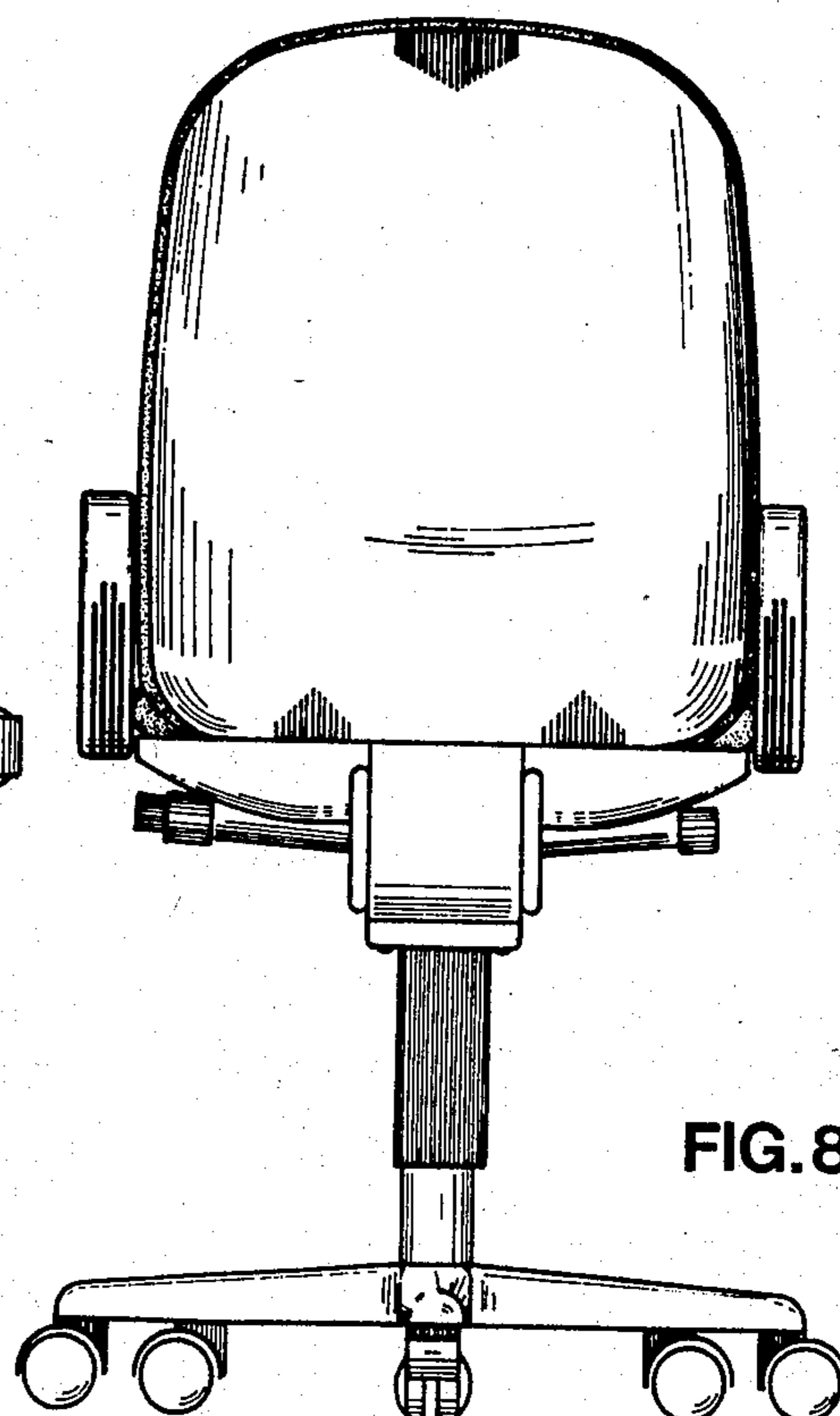


FIG. 8